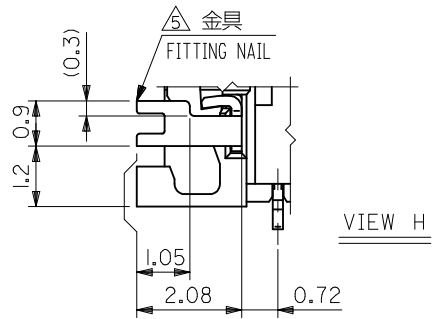
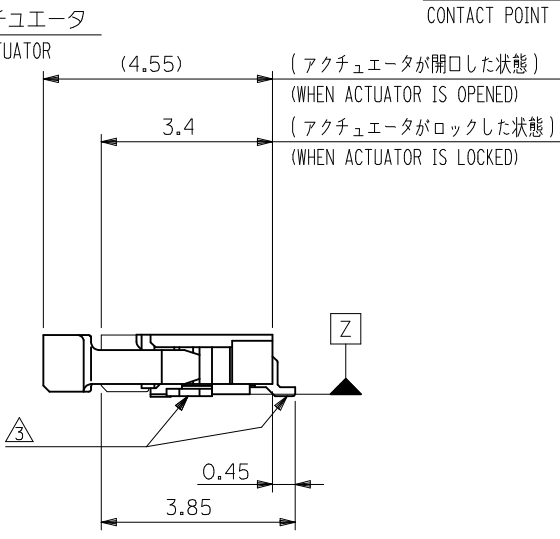
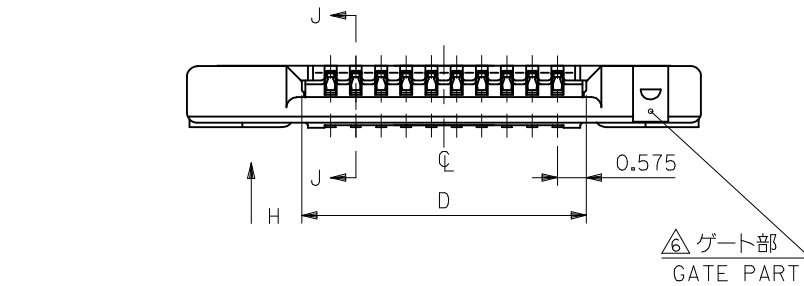


SECT. J-J
SCALE 20:1

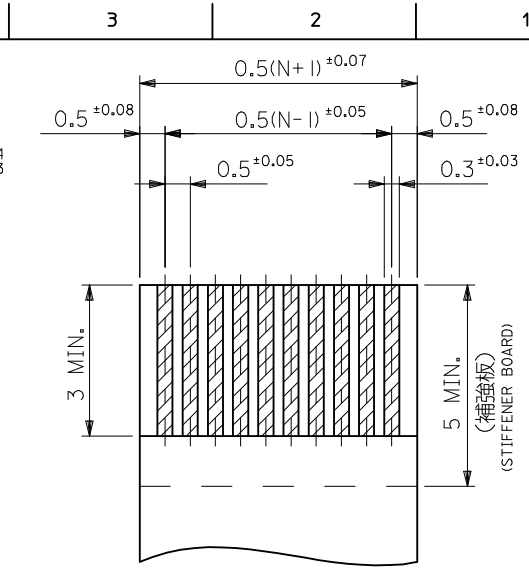
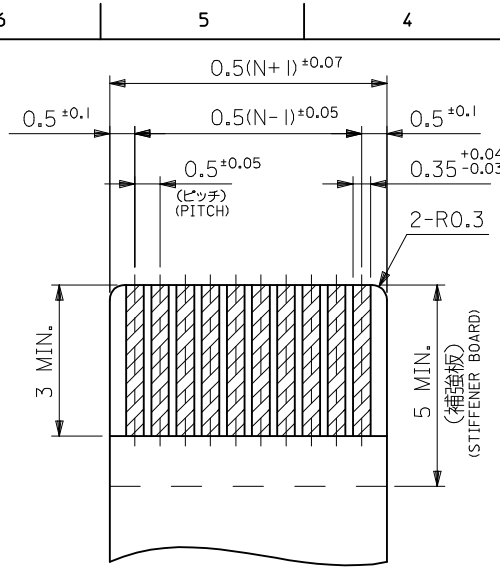
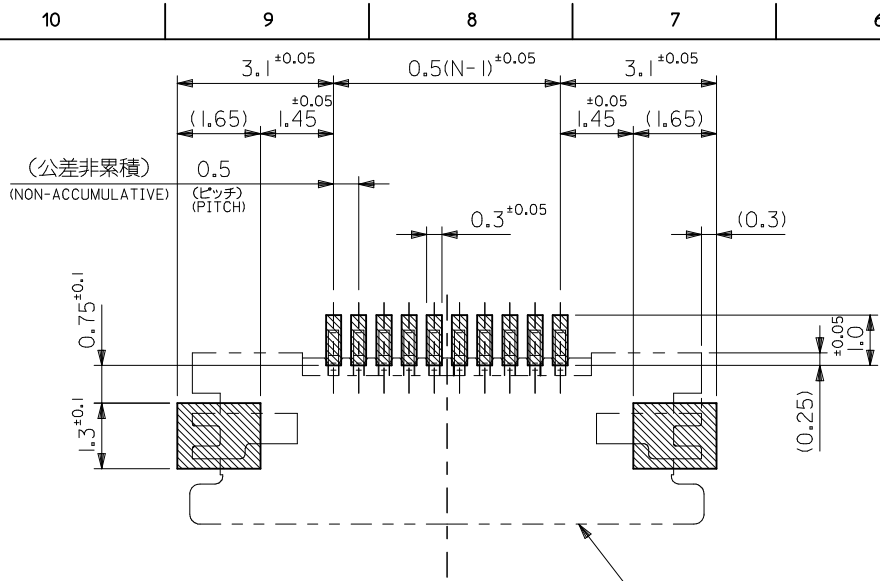


0.3 ^{+0.03}	13.65	17	12.5	18.2	54550-2671	26
	12.65	16	11.5	17.2	54550-2471	24
	11.65	15	10.5	16.2	54550-2271	22
	11.15	14.5	10	15.7	54550-2171	21
	10.65	14	9.5	15.2	54550-2071	20
	10.15	13.5	9	14.7	54550-1971	19
	9.65	13	8.5	14.2	54550-1871	18
	9.15	12.5	8	13.7	54550-1771	17
	8.65	12	7.5	13.2	54550-1671	16
	7.65	11	6.5	12.2	54550-1471	14
	7.15	10.5	6	11.7	54550-1371	13
	6.65	10	5.5	11.2	54550-1271	12
	6.15	9.5	5	10.7	54550-1171	11
	5.65	9	4.5	10.2	54550-1071	10
5.15	8.5	4	9.7	54550-0971	9	
4.65	8	3.5	9.2	54550-0871	8	
4.15	7.5	3	8.7	54550-0771	7	
3.65	7	2.5	8.2	54550-0671	6	
3.15	6.5	2	7.7	54550-0571	5	
2.65	6	1.5	7.2	54550-0471	4	

THICKNESS OF FPC: D, C, B, A
EMBOSSED TAPE ORDER No. オート番号: 極数 Ckt

CONNECTOR SERIES NO. 54550-**29

REVISED EC NO: J2010-1202 DRWN: TONO 2009/12/11 CHKD: HSHIMUYAMA 2009/12/11 APPR: KMORIKAWA 2009/12/14 M	GENERAL TOLERANCES (UNLESS SPECIFIED)		DIMENSION STYLE MM ONLY		SCALE 10:1	DESIGN UNITS METRIC	THIRD ANGLE PROJECTION
	10 UNDER	±0.2	DRAWN BY M. NINOMIYA	DATE 2004/02/12	TITLE 0.5 FPC CONN. HSG ASSY FOR SMT RA U/CONTACT		
	10 OVER 30 UNDER	±0.25	CHECKED BY K. TOJO	DATE 2004/02/12	MOLEX INCORPORATED		
	30 OVER	±0.3	APPROVED BY M. SASAO	DATE 2004/02/12	DOCUMENT NO. SD-54550-042	SHEET NO. 1 OF 2	
	ANGULAR ±3 °		MATERIAL NO. SEE TABLE		THIS DRAWING CONTAINS INFORMATION THAT IS PROPRIETARY TO MOLEX INCORPORATED AND SHOULD NOT BE USED WITHOUT WRITTEN PERMISSION		
DRAFT WHERE APPLICABLE MUST REMAIN WITHIN DIMENSIONS							



参考基板レイアウト
RECOMMENDED P.C.BOARD
PATTERN DIMENSION (REF.)

コネクタ位置
CONNECTOR POSITION

適合FPC推奨寸法
APPLICABLE FPC
RECOMMENDED DIMENSION

(仕上がり厚さ:表参照)
(THICKNESS:SEE CHART)

適合FFC推奨寸法
APPLICABLE FFC
RECOMMENDED DIMENSION

(仕上がり厚さ:表参照)
(THICKNESS:SEE CHART)

注記 NOTES

1. 使用材料 MATERIAL

- ハウジング : LCP, UL94V-0
- ハウジング HOUSING
- アクチュエータ : PPS, UL94V-0
- アクチュエータ ACTUATOR
- ターミナル : リン青銅
- ターミナル TERMINAL PHOSPHOR BRONZE
- メッキ : 接点部:金メッキ
- メッキ PLATING CONTACT PORTION : GOLD PLATING
- : 半田付部:錫メッキ
- : SOLDERING PORTION : TIN PLATING
- : 下地:ニッケルメッキ
- : UNDER PLATING : NICKEL PLATING
- 金具 : リン青銅, ニッケル下地 錫メッキ
- FITTING NAIL PHOSPHOR BRONZE, TIN OVER NICKEL PLATING

2. エンボステープ梱包時は、アクチュエータがロックした状態とする。
IN THE PACKAGE,ACTUATOR OF PART NO.54550-**29 SHOULD BE LOCKED.

△ソルダーテール半田付け面のズレ量、及び金具半田付け面のズレ量は、基準面 Z

に対し上方向 OMAX.、下方向 0.15MAX.とし
相互のバラッキ量は0.1MAX.とする。
MISALIGNMENT OF SOLDER TAILS AND FITTING NAILS FROM Z
UPPER DIRECTION:0 MAX. , LOWER DIRECTION:0.15 MAX.
OFFSET BETWEEN UPPER AND LOWER 0.1 MAX.

△偶数極に適用。
APPLY FOR EVEN CIRCUIT.

△パターンはくり止め用金具
FITTING NAIL FOR PREVENTION OF PEELING
OF P.C.B. PATTERN.

△ゲート部は、左右どちらか一方にあるものとする。
A GATE PART -- RIGHT AND LEFT -- IT SHALL BE IN EITHER.

7. 本製品は 54550-**27 の鉛フリー品である。
THIS PRODUCT IS LEAD FREE OF 54550-**27.

8. N: 極数 N: CIRCUIT.

9. ELV 及び RoHS 適合品 / ELV AND RoHS COMPLIANT.

FPC/FFC について:

打ち抜き方向は導体側から補強板側を推奨します。
導体部については軟銅箔35µmまたは50µmを推奨します。

ABOUT FPC/FFC
RECOMMENDED PUNCHER DIRECTION : FROM CONDUCTOR SIDE TO STIFFENER FILM SIDE.
RECOMMENDED CONDUCTOR SPEC :
THICKNESS OF SOFT COPPER FOIL : 35 MICROMETER OR 50 MICROMETER.

FPC について:

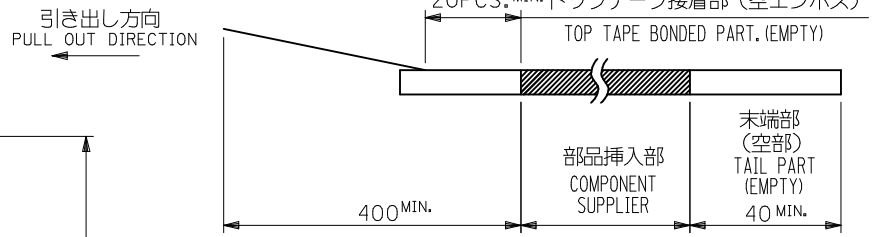
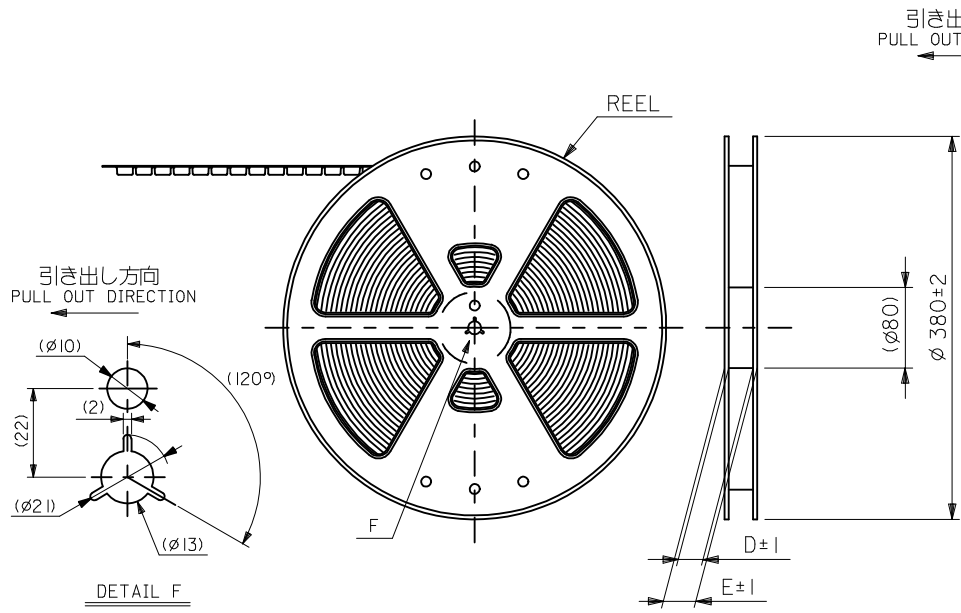
補強フィルム材質はポリイミドを推奨します。ベースフィルムは25µmを推奨します。
接着剤は熱硬化接着剤を推奨します。
尚、接着剤の接点部への付着は導通不良の原因になりますので、染み出しが無い様、お願い致します。

ABOUT FPC
RECOMMENDED MATERIAL/THICKNESS.
STIFFENER FILM : POLYIMIDE
BASE FILM THICKNESS : 25µm
BONDING AGENT : THERMOSETTING BONDING AGENT
PLEASE PUT APPROPRIATE AMOUNT OF ADHESIVE ON THE CONTACT
AREA BECAUSE THE EXTRA ADHESIVE MAY CAUSE THE DEFECT IN
ELECTRICAL CONTINUITY.

REVISED EC NO: J2010-1202 DRWN:TONO 2009/12/11 CHKD:ISHIMOTOYAMA 2009/12/11 APPR:KMORIKAWA 2009/12/14	DESCRIPTION	GENERAL TOLERANCES (UNLESS SPECIFIED)		DIMENSION STYLE MM ONLY		SCALE ---	DESIGN UNITS METRIC	THIRD ANGLE PROJECTION	
		10 UNDER	±0.2	DRAWN BY M.NINOMIYA	DATE 2004/02/12	TITLE 0.5 FPC CONN. HSG ASSY FOR SMT RA U/CONTACT			
		10 OVER 30 UNDER	±0.25	CHECKED BY K.TOJO	DATE 2004/02/12	MATERIAL NO. SEE SHEET 1			
		30 OVER	±0.3	APPROVED BY M.SASAO	DATE 2004/02/12	DOCUMENT NO. SD-54550-042			
M	REV	ANGULAR ±3 ° DRAFT WHERE APPLICABLE MUST REMAIN WITHIN DIMENSIONS		SIZE A3		THIS DRAWING CONTAINS INFORMATION THAT IS PROPRIETARY TO MOLEX INCORPORATED AND SHOULD NOT BE USED WITHOUT WRITTEN PERMISSION			

NOTES

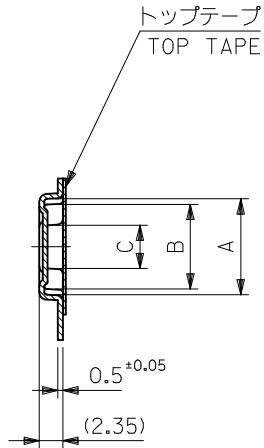
- 製品詳細寸法については図面 SD-54550-042 を参照下さい。
RE DETAILED DIMENSION, SEE SD-54550-042.
- 梱包数量：3000個/リール
NUMBER OF CONNECTORS : 3000PCS/REEL
- リードテープ長さ LEAD TAPE LENGTH



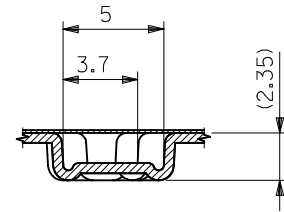
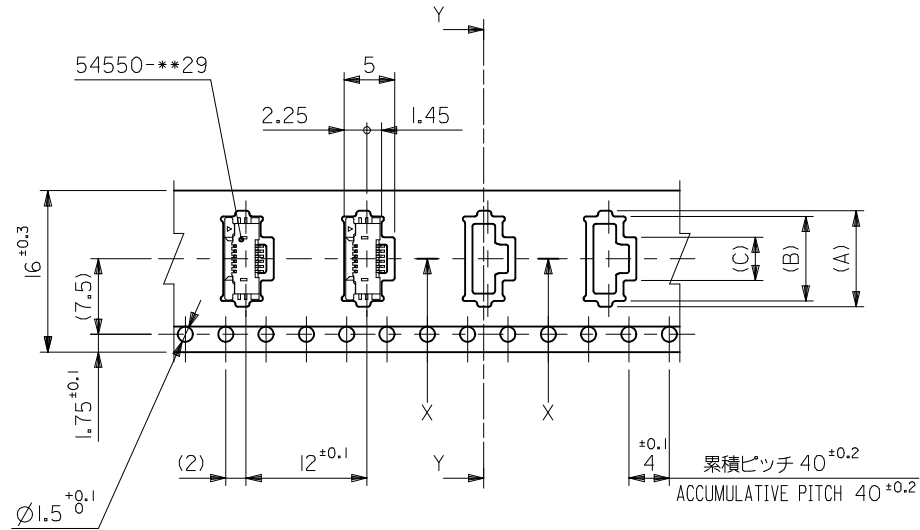
- 材料 (MATERIAL)
キャリアテープ (CARRIER TAPE) : ポリプロピレン (POLYPROPYLENE)
トップテープ (TOPTAPE) : PET, PE, PEF
リール (REEL) : ポリスチレン (P.S) <リサイクル材を含む>
POLYSTYRENE (PS) <RECYCLE MATERIAL CONTAINED>
- 本製品は 54550-***9I の鉛フリー品である。
THIS PRODUCT IS LEAD FREE OF 54550-***9I.
- ELV 及び RoHS 適合品 / ELV AND RoHS COMPLIANT.

REVISED EC NO: J2010-1202 DRWN: TONO 2009/12/11 CHKD: HSHIMUYAMA 2009/12/11 APPR: KMORIKAWA 2009/12/14	GENERAL TOLERANCES (UNLESS SPECIFIED)		DIMENSION STYLE MM ONLY		SCALE ---	DESIGN UNITS METRIC	THIRD ANGLE PROJECTION
	10 UNDER	±0.2	DRAWN BY M. NINOMIYA	DATE 2004/02/12	TITLE EMBSTP PKG FOR 0.5 FPC CONN ZIF UPR CONT		
	10 OVER 30 UNDER	±0.25	CHECKED BY K. TOJO	DATE 2004/02/12	MOLEX INCORPORATED		
	30 OVER	±0.3	APPROVED BY M. SASAO	DATE 2004/02/12	MATERIAL NO. SEE SHEET 1 OR 2	DOCUMENT NO. SD-54550-043	SHEET NO. 1 OF 3
	ANGULAR ±3 °	THIS DRAWING CONTAINS INFORMATION THAT IS PROPRIETARY TO MOLEX INCORPORATED AND SHOULD NOT BE USED WITHOUT WRITTEN PERMISSION					
	DRAFT WHERE APPLICABLE MUST REMAIN WITHIN DIMENSIONS						

引き出し方向
PULL OUT DIRECTION



SECT. Y-Y



SECT. X-X

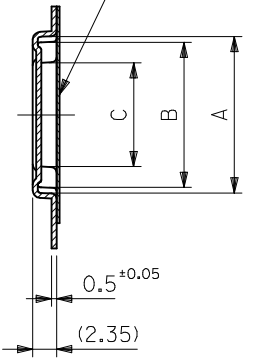
16mm幅キャリアテープ
16mm WIDTH CARRIER TAPE

16	21.4	17.4	4.3	8.4	9.5	54550-0671	6		
			3.8	7.9	9	54550-0571	5		
			3.3	7.4	8.5	54550-0471	4		
キャリアテープ幅 CARRIER TAPE WIDTH			E	D	(C)	(B)	(A)	製品番号 MATERIAL No.	極数 Ckt

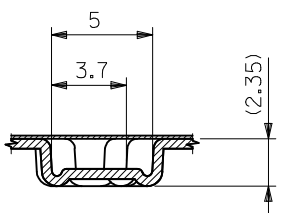
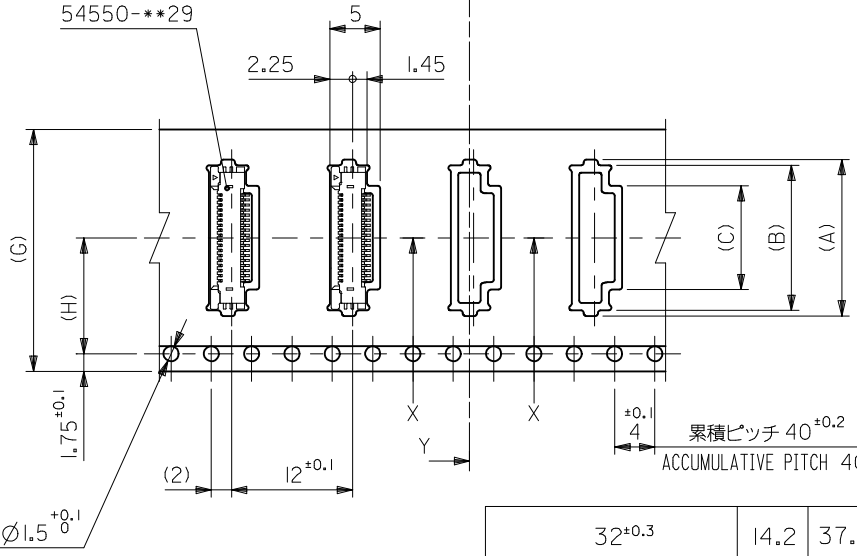
REVISED EC NO: J2010-1202 DRWN: TONO 2009/12/11 CHKD: HSHIMUYAMA 2009/12/11 APPR: KMORIKAWA 2009/12/14	GENERAL TOLERANCES (UNLESS SPECIFIED)		DIMENSION STYLE MM ONLY		SCALE ---	DESIGN UNITS METRIC	THIRD ANGLE PROJECTION	
	10 UNDER	± 0.2	DRAWN BY M. NINOMIYA	DATE 2004/02/12	TITLE EMBSTP PKG FOR 0.5 FPC CONN ZIF UPR CONT			
	10 OVER 30 UNDER	± 0.25	CHECKED BY K. TOJO	DATE 2004/02/12				
	30 OVER	± 0.3	APPROVED BY M. SASAO	DATE 2004/02/12	MOLEX INCORPORATED SEE TABLE SD-54550-043			
	ANGULAR ± 3 °		MATERIAL NO.					
DRAFT WHERE APPLICABLE MUST REMAIN WITHIN DIMENSIONS		SIZE A3		THIS DRAWING CONTAINS INFORMATION THAT IS PROPRIETARY TO MOLEX INCORPORATED AND SHOULD NOT BE USED WITHOUT WRITTEN PERMISSION				

引き出し方向
PULL OUT DIRECTION

トップテープ
TOP TAPE



SECT. Y-Y



SECT. X-X

24, 32mm幅キャリアテープ
24mm, 32mm WIDTH CARRIER TAPE

24 ^{±0.3}	11.5	29.4	25.4	32 ^{±0.3}	14.2	37.4	33.4	14.3	18.4	19.5	54550-2671	26
				13.3	17.4	18.5	54550-2471	24				
				12.3	16.4	17.5	54550-2271	22				
				11.8	15.9	17	54550-2171	21				
				11.3	15.4	16.5	54550-2071	20				
				10.8	14.9	16	54550-1971	19				
				10.3	14.4	15.5	54550-1871	18				
				9.8	13.9	15	54550-1771	17				
				9.3	13.4	14.5	54550-1671	16				
				8.3	12.4	13.5	54550-1471	14				
				7.8	11.9	13	54550-1371	13				
				7.3	11.4	12.5	54550-1271	12				
				6.8	10.9	12	54550-1171	11				
				6.3	10.4	11.5	54550-1071	10				
5.8	9.9	11	54550-0971	9								
5.3	9.4	10.5	54550-0871	8								
4.8	8.9	10	54550-0771	7								
G	キャリアテープ幅 CARRIER TAPE WIDTH	H	E	D	(C)	(B)	(A)	製品番号 MATERIAL No.	極数 Ck+			

REVISED EC NO: J2010-1202 DRWN: TONO 2009/12/11 CHKD: SHIMOMIYAMA 2009/12/11 APPR: KMORIKAWA 2009/12/14	GENERAL TOLERANCES (UNLESS SPECIFIED)		DIMENSION STYLE MM ONLY		SCALE ---	DESIGN UNITS METRIC	THIRD ANGLE PROJECTION	
	10 UNDER	±0.2	DRAWN BY M. NINOMIYA	DATE 2004/02/12	TITLE EMBSTP PKG FOR 0.5 FPC CONN ZIF UPR CONT			
	10 OVER 30 UNDER	±0.25	CHECKED BY K. TOJO	DATE 2004/02/12	MOLEX INCORPORATED			
	30 OVER	±0.3	APPROVED BY M. SASAO	DATE 2004/02/12	DOCUMENT NO. SD-54550-043		SHEET NO. 3 OF 3	
	ANGULAR ±3 ° DRAFT WHERE APPLICABLE MUST REMAIN WITHIN DIMENSIONS		SIZE A3		THIS DRAWING CONTAINS INFORMATION THAT IS PROPRIETARY TO MOLEX INCORPORATED AND SHOULD NOT BE USED WITHOUT WRITTEN PERMISSION			