

**PLEASE CHECK WWW.MOLEX.COM FOR LATEST PART INFORMATION**

**Part Number:** [0554561169](#)  
**Status:** **Active**  
**Description:** 1.25mm (.049") Pitch Mi II™ System Wire-to-Board Header, Single Row, Right Angle, SMT, 11 Circuits, without Plastic Peg, Lead-free

**Documents:**

[3D Model](#) [Product Specification PS-54596-022 \(PDF\)](#)  
[Drawing \(PDF\)](#) [RoHS Certificate of Compliance \(PDF\)](#)

**General**

Product Family PCB Headers  
 Series [55456](#)  
 Application Wire-to-Board  
 Product Name Mini Mi II™

**Physical**

Breakaway No  
 Circuits (Loaded) 11  
 Color - Resin Natural  
 Durability (mating cycles max) 30  
 Glow-Wire Compliant No  
 Lock to Mating Part Yes  
 Mated Height (in) 0.177 In  
 Mated Height (mm) 4.50 mm  
 Material - Metal Brass  
 Material - Plating Mating Tin  
 Material - Plating Termination Tin  
 Material - Resin Nylon  
 Number of Rows 1  
 Orientation Right Angle  
 PCB Locator No  
 PCB Retention Yes  
 Packaging Type Embossed Tape on Reel  
 Pitch - Mating Interface (in) 0.049 In  
 Pitch - Mating Interface (mm) 1.25 mm  
 Polarized to Mating Part Yes  
 Stackable No  
 Temperature Range - Operating -40°C to +105°C  
 Termination Interface: Style Surface Mount

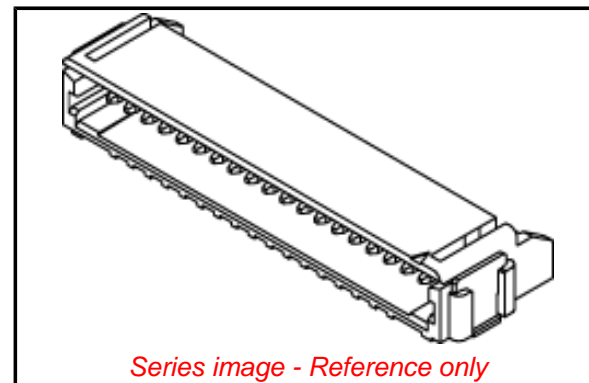
**Electrical**

Current - Maximum 1.5A  
 Voltage - Maximum 100V AC (RMS)/DC

**Material Info**

**Reference - Drawing Numbers**

Product Specification PS-54596-022  
 Product Specification RPS-54596-025  
 Product Specification RPS-54596-026  
 Sales Drawing SD-55456-010  
 Sales Drawing SD-55456-011



**EU RoHS**

**ELV and RoHS  
Compliant**  
**REACH SVHC**  
 Not Reviewed  
**Halogen-Free  
Status**  
 Not Reviewed

**China RoHS**



**Need more information on product  
environmental compliance?**

Email [productcompliance@molex.com](mailto:productcompliance@molex.com)  
 Please visit the [Contact Us](#) section for any non-product compliance questions.

**Search Parts in this Series**

[55456 Series](#)

**Mates With**

[54596 IDT Receptacle Housing](#)