

**PLEASE CHECK WWW.MOLEX.COM FOR LATEST PART INFORMATION**

**Part Number:** [0678005005](#)

**Status:** **Active**

**Overview:**

**Description:** 1.27mm (.050") Pitch Serial ATA High Speed Header, Vertical, Surface Mount, with Locking Latch, 7 Circuits, 0.38µm (15µ") Gold (Au) Plating, for 1.60mm (.063") PCB, with PCB Locator Pegs, Lead-free

**Documents:**

[3D Model](#)

[Drawing \(PDF\)](#)

[RoHS Certificate of Compliance \(PDF\)](#)

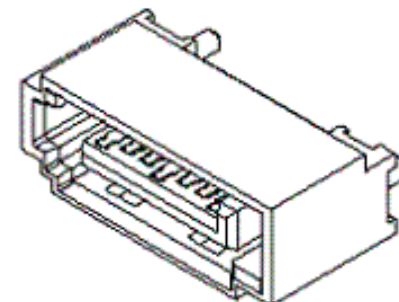
**General**

Product Family	PCB Headers
Series	67800
Application	Board-to-Board
Application	Wire-to-Board
Comments	Staggered Solder Pin Metal Post Length 2.65mm (.104")
Overview	Serial ATA Products
Product Name	Serial ATA

**Physical**

Breakaway	No
Circuits (Loaded)	7
Circuits (maximum)	7
Color - Resin	Black
Durability (mating cycles max)	50
First Mate / Last Break	Yes
Flammability	94V-0
Glow-Wire Compliant	No
Guide to Mating Part	No
Keying to Mating Part	Yes
Lock to Mating Part	Yes
Material - Metal	Brass
Material - Plating Mating	Gold
Material - Plating Termination	Tin
Material - Resin	High Temperature Thermoplastic
Number of Rows	1
Orientation	Vertical
PCB Locator	Yes
PCB Retention	Yes
Packaging Type	Tray
Pitch - Mating Interface (in)	0.050 In
Pitch - Mating Interface (mm)	1.27 mm
Pitch - Term. Interface (in)	0.050 In
Pitch - Term. Interface (mm)	1.27 mm
Plating min: Mating (µin)	15
Plating min: Mating (µm)	0.38
Plating min: Termination (µin)	75
Plating min: Termination (µm)	1.9
Polarized to Mating Part	Yes
Polarized to PCB	Yes
Shrouded	Fully
Stackable	No
Temperature Range - Operating	-35°C to +85°C
Termination Interface: Style	Surface Mount

**Electrical**



Series image - Reference only

**EU RoHS**

**ELV and RoHS  
Compliant**

**REACH SVHC**

**Contains SVHC: No**

**Halogen-Free**

**Status**

**Halogen-Free**

**China RoHS**



**Need more information on product  
environmental compliance?**

Email [productcompliance@molex.com](mailto:productcompliance@molex.com)  
Please visit the [Contact Us](#) section for any  
non-product compliance questions.

**Search Parts in this Series**

67800 Series

CSA	LR 19980
Current - Maximum	1.5A
Voltage - Maximum	15V DC

**Solder Process Data**

Lead-free Process Capability	Reflow Capable (SMT only)
------------------------------	---------------------------

**Material Info**

**Reference - Drawing Numbers**

Sales Drawing	SD-67800-005
---------------	--------------

This document was generated on 12/03/2009

**PLEASE CHECK [WWW.MOLEX.COM](http://WWW.MOLEX.COM) FOR LATEST PART INFORMATION**