

PLEASE CHECK WWW.MOLEX.COM FOR LATEST PART INFORMATION

Part Number: [0731195003](#)
Status: **Active**
Description: BNC 50 Ohm, Bulkhead Jack Receptacle, with Ground Lug, Solder Pot

Documents:

[Drawing \(PDF\)](#) [RoHS Certificate of Compliance \(PDF\)](#)

General

Product Family	RF/Coax Connectors
Series	73119
Comments	Solder Pot
IP Rated	No
More Detailed Tech Information	rf@molex.com
Product Name	BNC
Style	Hookup Wire
Wire/Cable Type	1.32mm (.052") max.

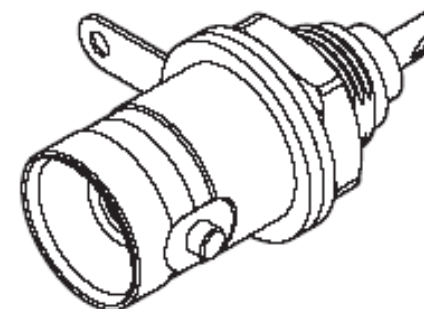
Physical

Cable Attachment	N/A
Gender	Female
Keying to Mating Part	N/A
Orientation	Straight
PCB Mounting	N/A
Packaging Type	Bag
Panel Mount	Yes
Panel Mount Method	Bulkhead
Reverse Polar	No

Electrical

Impedance	50 ohms
-----------	---------

Material Info



Series image - Reference only

EU RoHS

RoHS Compliant RF Product

REACH SVHC

Not Reviewed

Halogen-Free

Status

Not Reviewed

Need more information on product environmental compliance?

Email productcompliance@molex.com
Please visit the [Contact Us](#) section for any non-product compliance questions.

China RoHS



Pb

Search Parts in this Series

73119 Series