

**PLEASE CHECK WWW.MOLEX.COM FOR LATEST PART INFORMATION**

**Part Number:** [0731385033](#)  
**Status:** **Active**  
**Overview:** [BNC RF Connectors](#)  
**Description:** BNC 50 Ohm, Right-Angle, PCB Bulkhead Jack Receptacle, Die Cast Zinc Alloy Body, Nickel Plated

**Documents:**

[Drawing \(PDF\)](#) [RoHS Certificate of Compliance \(PDF\)](#)

**General**

Product Family	RF/Coax Connectors
Series	73138
MolexKits	Yes
Overview	<a href="#">BNC RF Connectors</a>
Product Name	BNC
Style	PCB
UPC	800753691698
Wire/Cable Type	N/A

**Physical**

Cable Attachment	N/A
Gender	Jack
Keying to Mating Part	None
Net Weight	22.183/g
Orientation	Right Angle
PCB Mounting	Through Hole
PCB Thickness - Recommended	3.20mm
Packaging Type	Bag
Panel Mount	Yes
Panel Mount Method	Bulkhead

**Electrical**

Impedance	50#
-----------	-----

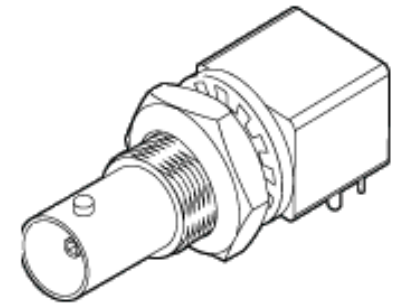
**Solder Process Data**

Lead-freeProcess Capability	WAVE
Process Temperature max. C	245

**Material Info**

**Reference - Drawing Numbers**

Product Specification	RPS-73138-002
Sales Drawing	SD-73138-5033



*Series image - Reference only*

**EU ELV**

**Not Relevant**

**EU RoHS**

**Compliant with Exemption 6(c)**

**REACH SVHC**

Not Contained Per -ED/79/2015 (17 December 2015)

**Halogen-Free**

**Status**

**Not Low-Halogen**

**Need more information on product environmental compliance?**

Email [productcompliance@molex.com](mailto:productcompliance@molex.com)  
Please visit the [Contact Us](#) section for any non-product compliance questions.

China ROHS

50 Image

ELV

Not Relevant

**Search Parts in this Series**

[73138 Series](#)