

PLEASE CHECK WWW.MOLEX.COM FOR LATEST PART INFORMATION

Part Number: [0734120114](#)
Status: **Active**
Description: Microcoaxial RF, 50 Ohm, PCB Vertical Jack Receptacle, SMT, 1.25mm (.049") Mounted Height

Documents:

[Drawing \(PDF\)](#)

[RoHS Certificate of Compliance \(PDF\)](#)

General

Product Family	RF/Coax Connectors
Series	73412
Comments	Low Profile SMT, 1K per Reel
IP Rated	No
Product Name	Microcoaxial
Style	PCB
Wire/Cable Type	N/A

Physical

Cable Attachment	N/A
Gender	Female
Keying to Mating Part	N/A
Orientation	Straight
PCB Mounting	Surface Mount
Packaging Type	Embossed Tape on Reel
Panel Mount	No
Panel Mount Method	N/A
Reverse Polar	No

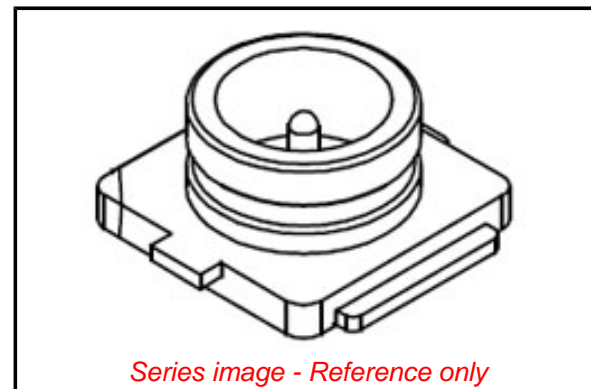
Electrical

Impedance	50 ohms
-----------	---------

Material Info

Reference - Drawing Numbers

Sales Drawing	SD-73412-011
---------------	--------------



EU RoHS

RoHS Compliant RF Product

REACH SVHC

Not Reviewed

Halogen-Free

Status

Not Reviewed

Need more information on product environmental compliance?

Email productcompliance@molex.com
Please visit the [Contact Us](#) section for any non-product compliance questions.

China RoHS



Pb

Search Parts in this Series

[73412 Series](#)