

PLEASE CHECK WWW.MOLEX.COM FOR LATEST PART INFORMATION

Part Number: [73415-3591](#)
Status: **Active**
Overview: SMP Subminiature RF Connectors
Description: SMP Edge Mount PCB Plug, Leg Length 1.27mm, Bag

Documents:

[Drawing \(PDF\)](#) [RoHS Certificate of Compliance \(PDF\)](#)

General

Product Family	RF/Coax Connectors
Series	73415
Comments	Edge Mount, Leg Length 1.27mm
Overview	SMP Subminiature RF Connectors
Product Name	SMP
Style	PCB
UPC	800756615684
Wire/Cable Type	N/A

Physical

Cable Attachment	N/A
Gender	Plug
Keying to Mating Part	None
Net Weight	0.631/g
Orientation	Straight
PCB Mounting	Edge Mount
Packaging Type	Bag
Panel Mount	No
Panel Mount Method	N/A
Reverse Polar	No

Electrical

Impedance	50#
-----------	-----

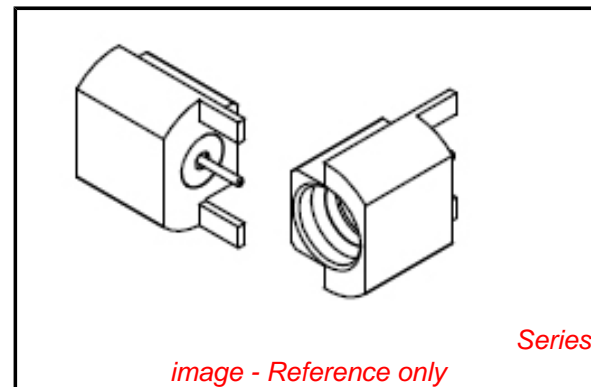
Solder Process Data

Duration at Max. Process Temperature (seconds)	10
Lead-free Process Capability	Reflow Capable (SMT only)
Max. Cycles at Max. Process Temperature	2
Process Temperature max. C	260

Material Info

Reference - Drawing Numbers

Sales Drawing	SD-73415-359
---------------	--------------



EU RoHS

RoHS Compliant RF Product

REACH SVHC

Contains SVHC: No

Low-Halogen Status

Low-Halogen

China RoHS



Need more information on product environmental compliance?

Email productcompliance@molex.com
 For a multiple part number RoHS Certificate of Compliance, [click here](#)

Please visit the [Contact Us](#) section for any non-product compliance questions.

Search Parts in this Series

[73415Series](#)