

**PLEASE CHECK WWW.MOLEX.COM FOR LATEST PART INFORMATION**

**Part Number:** [73415-5590](#)  
**Status:** **Active**  
**Overview:** SMP Subminiature RF Connectors  
**Description:** 50 Ohms MOD Plug-Jack combination, 5.5mm B-T-B, SMT

**Documents:**

[Drawing \(PDF\)](#) [RoHS Certificate of Compliance \(PDF\)](#)

**General**

Product Family	RF/Coax Connectors
Series	<a href="#">73415</a>
Overview	<u>SMP Subminiature RF Connectors</u>
Product Name	SMP
Style	PCB
UPC	822350295208
Wire/Cable Type	N/A

**Physical**

Cable Attachment	N/A
Gender	Plug
Keying to Mating Part	None
Net Weight	0.882/g
Orientation	Straight
PCB Mounting	Surface Mount
Packaging Type	Bag
Panel Mount	No
Panel Mount Method	N/A
Reverse Polar	No

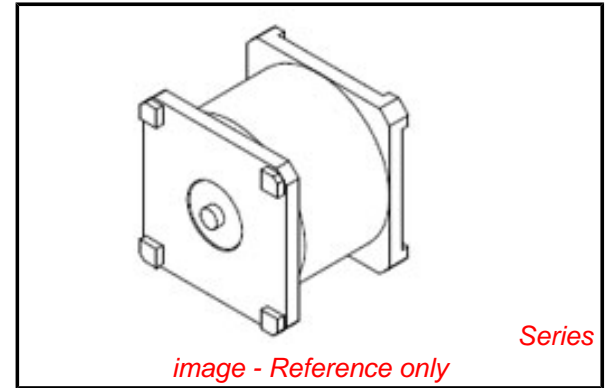
**Electrical**

Impedance	50#
-----------	-----

**Material Info**

**Reference - Drawing Numbers**

Sales Drawing	SD-73415-559
---------------	--------------



*image - Reference only*

**EU RoHS**

**RoHS Compliant RF Product**

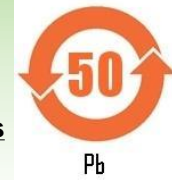
**REACH SVHC**

**Contains SVHC: No**

**Low-Halogen Status**

**Low-Halogen**

**China RoHS**



**Need more information on product environmental compliance?**

Email [productcompliance@molex.com](mailto:productcompliance@molex.com)  
 For a multiple part number RoHS Certificate of Compliance, [click here](#)

Please visit the [Contact Us](#) section for any non-product compliance questions.

**Search Parts in this Series**

[73415Series](#)