

**PLEASE CHECK WWW.MOLEX.COM FOR LATEST PART INFORMATION**

**Part Number:** [0755860011](#)  
**Status:** **Active**  
**Overview:** [iPass™ Connector System](#)  
**Description:** 0.80mm Pitch, iPass™ I/O Surface Mount Receptacle, Right Angle, External Application, 38 Circuit, 0.76µm Gold (Au), Supports QSFP14 / FDR

**Documents:**

[3D Model](#) [Application Specification AS-75586-001 \(PDF\)](#)  
[Drawing \(PDF\)](#) [RoHS Certificate of Compliance \(PDF\)](#)  
[Product Specification PS-75586-001 \(PDF\)](#)

**Agency Certification**

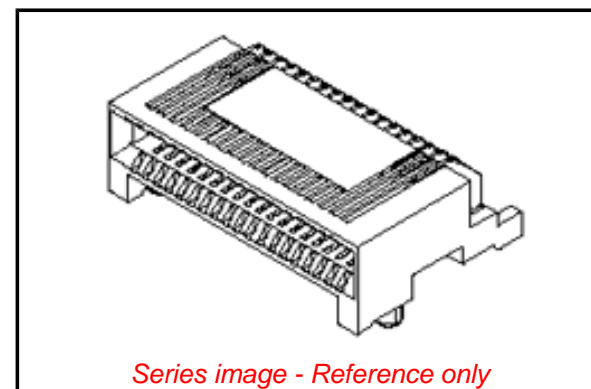
CSA LR19980  
 UL E29179

**General**

Product Family I/O Connectors  
 Series [75586](#)  
 Application Wire-to-Board  
 Comments QSFP14 / FDR  
 Component Type Receptacle  
 Electrical Model Yes  
 Overview [iPass™ Connector System](#)  
 Product Name iPass™, Mini Multi-Lane, PCI Express\*  
 Type N/A  
 UPC 822348852505

**Physical**

Boot Color N/A  
 Circuits (Loaded) 38  
 Circuits (maximum) 38  
 Color - Resin Black  
 Durability (mating cycles max) 250  
 Flammability 94V-0  
 Gender Female  
 Keying to Mating Part None  
 Lock to Mating Part None  
 Material - Metal High Performance Alloy (HPA)  
 Material - Plating Mating Gold  
 Material - Plating Termination Tin  
 Material - Resin High Temperature Thermoplastic  
 Net Weight 0.977/g  
 Number of Rows 2  
 Orientation Right Angle  
 PCB Locator Yes  
 PCB Retention None  
 PCB Thickness - Recommended 1.35mm  
 Packaging Type Embossed Tape on Reel  
 Panel Mount No  
 Pitch - Mating Interface 0.80mm  
 Pitch - Termination Interface 0.80mm  
 Plating min - Mating 0.762µm  
 Plating min - Termination 2.540µm  
 Polarized to Mating Part Yes  
 Polarized to PCB Yes  
 Ports 1  
 Surface Mount Compatible (SMC) Yes



Series image - Reference only

**EU ELV**

**Not Relevant**

**EU RoHS**

**Compliant**

**REACH SVHC**

No -ED/39/2015 (15 June 2015)

**Halogen-Free**

**Status**

**Low-Halogen**

**Need more information on product environmental compliance?**

Email [productcompliance@molex.com](mailto:productcompliance@molex.com)  
 Please visit the [Contact Us](#) section for any non-product compliance questions.

China ROHS

ELV

**China RoHS**

Green Image

Not Relevant

**Search Parts in this Series**

[75586](#) Series

**Mates With**

[74547](#) iPass™ Cable Assembly

**Use With**

[74548](#) I/O Connectors

Temperature Range - Operating	-40°C to +80°C
Termination Interface: Style	Surface Mount
Waterproof / Dustproof	No
Wire Insulation Diameter	N/A
Wire Size AWG	N/A

**Electrical**

Current - Maximum per Contact	0.5A
Grounding to Panel	N/A
Shielded	No
Voltage - Maximum	30V AC (RMS)/DC

**Solder Process Data**

Duration at Max. Process Temperature (seconds)	020
Lead-free Process Capability	REFLOW
Max. Cycles at Max. Process Temperature	001
Process Temperature max. C	260

**Material Info****Reference - Drawing Numbers**

Application Specification	AS-75586-001
Electrical Model Document	EE-75586-001
Product Specification	PS-75586-001
S-Parameter Model	SP-75586-001
Sales Drawing	SD-75586-001
Signal Integrity Report	SI-75586-0001

\*PCI Express is a registered trademark of PCI-SIG®.

This document was generated on 12/03/2015

**PLEASE CHECK [WWW.MOLEX.COM](http://WWW.MOLEX.COM) FOR LATEST PART INFORMATION**