

PLEASE CHECK WWW.MOLEX.COM FOR LATEST PART INFORMATION

Part Number: [0758272214](#)

Status: **Active**

Overview:

Description: 1.85mm by 1.85mm (.073 by .073") Pitch 2-Pair GbX® Backplane Connector System, Left Guide Header, 100 Circuits, Gold (Au) 0.76µm (30µ"), Pin Length 4.55mm (.179")

Documents:

[Packaging Specification \(PDF\)](#)

[Drawing \(PDF\)](#)

[Product Specification PS-75221-999 \(PDF\)](#)

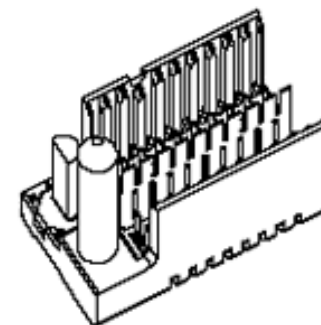
[RoHS Certificate of Compliance \(PDF\)](#)

General

Product Family	Backplane Connectors
Series	75827
Application	Backplane
Application Tooling Documents	Tooling Manual
Comments	Left Guide Header, Keying Position A
Component Type	PCB Header
Overview	GbX®; Backplane Connector System
Product Name	GbX®
Style	N/A

Physical

Circuits (Loaded)	100
Circuits (maximum)	100
Color - Resin	Gray (Dark)
Durability (mating cycles max)	200
First Mate / Last Break	No
Guide to Mating Part	Yes
Keying to Mating Part	Yes
Material - Metal	High Performance Alloy (HPA)
Material - Metal	Stainless Steel
Material - Plating Mating	Gold
Material - Plating Termination	Tin-Lead
Material - Resin	High Temperature Thermoplastic
Number of Columns	25
Number of Pairs	2
Number of Rows	4
Orientation	Vertical
PC Tail Length (in)	0.091 In
PC Tail Length (mm)	2.30 mm
PCB Locator	No
PCB Retention	Yes
PCB Thickness Recommended (in)	0.063 In
PCB Thickness Recommended (mm)	1.60 mm
Packaging Type	Tube
Pitch - Mating Interface (in)	0.073 In
Pitch - Mating Interface (mm)	1.85 mm
Pitch - Term. Interface (in)	0.073 In
Pitch - Term. Interface (mm)	1.85 mm
Plating min: Mating (µin)	30
Plating min: Mating (µm)	0.76
Plating min: Termination (µin)	30
Plating min: Termination (µm)	0.76
Polarized to PCB	No
Stackable	No
Surface Mount Compatible (SMC)	Yes



Series image - Reference only

EU RoHS

RoHS Compliant by Exemption

REACH SVHC

Contains SVHC: No

Halogen-Free

Status

Not Reviewed

China RoHS



Pb

Need more information on product environmental compliance?

Email productcompliance@molex.com
Please visit the [Contact Us](#) section for any non-product compliance questions.

Search Parts in this Series

[75827 Series](#)

Mates With

[75650 GbX® Daughtercard](#)

Application Tooling | FAQ

Tooling specifications and manuals are found by selecting the products below. Crimp Height Specifications are then contained in the Application Tooling Specification document.

Global

Description

Product #

GbX® 2 Pair by 25	0622022430
Wide Differential	
Insertion Tool	

Temperature Range - Operating 105°C
Termination Interface: Style Through Hole - Compliant Pin

Electrical

Current - Maximum 1A
Data Rate 8.0 Gbps
Real Signals (per 25mm) 54
Shield Type Ground Plane Shield
Shielded Yes
Voltage - Maximum 120V AC (RMS)/DC

Material Info

Reference - Drawing Numbers

Product Specification PS-75221-999
Sales Drawing SD-75827-210

GbX is a registered trademark of Amphenol Corporation.

This document was generated on 11/06/2009

PLEASE CHECK WWW.MOLEX.COM FOR LATEST PART INFORMATION