

PLEASE CHECK WWW.MOLEX.COM FOR LATEST PART INFORMATION

Part Number: **0781720005**
Status: **Active - Custom**
Overview: Pico-EZmate™
Description: 1.20mm (.047") Pico-EZmate™ Wire-to-Board Housing, 5 Circuits, Lead free

Documents:

[3D Model](#) [Product Specification PS-78171-010 \(PDF\)](#)
[Drawing \(PDF\)](#) [RoHS Certificate of Compliance \(PDF\)](#)

General

Product Family Crimp Housings
 Series 78172
 Overview Pico-EZmate™
 Product Name Pico-EZmate™

Physical

Breakaway No
 Circuits (maximum) 5
 Color - Resin Black
 Flammability 94V-0
 Gender Receptacle
 Glow-Wire Compliant No
 Keying to Mating Part Yes
 Lock to Mating Part Yes
 Number of Rows 1
 Packaging Type Bag
 Panel Mount No
 Pitch - Mating Interface (in) 0.047 In
 Pitch - Mating Interface (mm) 1.20 mm
 Polarized to Mating Part Yes
 Ports 1
 Stackable No
 Temperature Range - Operating -25°C to +85°C

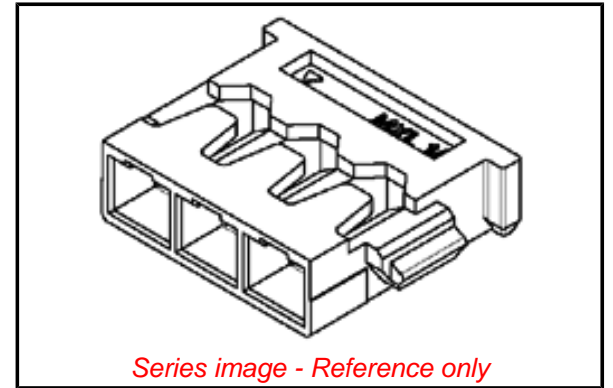
Electrical

CSA LR19980
 Current - Maximum 1.5A
 UL E29179

Material Info

Reference - Drawing Numbers

Product Specification PS-78171-010
 Sales Drawing SD-78172-007



EU RoHS

**ELV and RoHS
 Compliant**
**REACH SVHC
 Contains SVHC: No**
**Halogen-Free
 Status**

China RoHS



**Need more information on product
 environmental compliance?**

Email productcompliance@molex.com
 Please visit the [Contact Us](#) section for any
 non-product compliance questions.

Search Parts in this Series

78172 Series

Mates With

78171 Header

Use With

78172-0410 Crimp Terminals