

PLEASE CHECK WWW.MOLEX.COM FOR LATEST PART INFORMATION

Part Number: **0782391005**
Status: **Active**
Overview:
Description: GbX I-Trac™ Right Angle Header with Left Hold Down, Power Module, 3 Blades, 90 Amps, Lead Free

Documents:

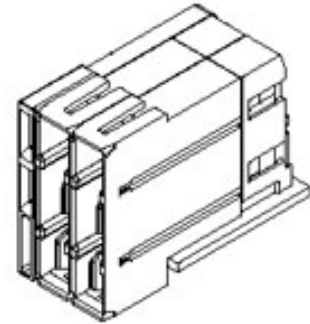
[3D Model](#)
[Drawing \(PDF\)](#)
[Application Specification \(PDF\)](#)
[Product Specification PS-78231-006 \(PDF\)](#)
[RoHS Certificate of Compliance \(PDF\)](#)

General

| | |
|--------------------------------|--|
| Product Family | Backplane Connectors |
| Series | 78239 |
| Application | Daughtercard |
| Application Tooling Documents | Tooling Manual |
| Component Type | Power Header |
| More Detailed Tech Information | I-Trac@molex.com |
| Overview | GbX I-Trac™#153; Backplane Connector System |
| Product Name | GbX I-Trac™ |
| Style | N/A |

Physical

| | |
|--------------------------------|---|
| Circuits (Loaded) | 3 |
| Circuits (maximum) | 3 |
| Circuits Detail | 90 Amps (30/Split Blade). Power Module 1: Blade Length P1, 6.77mm; P2, 8.27mm; P3, 9.77mm |
| Color - Resin | Black |
| Durability (mating cycles max) | 100 |
| First Mate / Last Break | Yes |
| Flammability | 94V-0 |
| Guide to Mating Part | No |
| Keying to Mating Part | None |
| Material - Metal | High Performance Alloy (HPA) |
| Material - Plating Mating | Gold |
| Material - Plating Termination | Tin |
| Material - Resin | High Temperature Thermoplastic |
| Number of Columns | 1 |
| Number of Pairs | 8 |
| Number of Rows | 3 |
| Orientation | Right Angle |
| PC Tail Length (in) | 0.095 In |
| PC Tail Length (mm) | 2.41 mm |
| PCB Locator | Yes |
| PCB Retention | Yes |
| PCB Thickness Recommended (in) | 0.063 In |
| PCB Thickness Recommended (mm) | 1.60 mm |
| Packaging Type | Tray |
| Pitch - Mating Interface (in) | 0.079 In |
| Pitch - Mating Interface (in) | 0.291 In |
| Pitch - Mating Interface (mm) | 2.00 mm |
| Pitch - Mating Interface (mm) | 7.40 mm |
| Pitch - Term. Interface (in) | 0.079 In |
| Pitch - Term. Interface (in) | 0.291 In |
| Pitch - Term. Interface (mm) | 2.00 mm |
| Pitch - Term. Interface (mm) | 7.40 mm |



Series image - Reference only

EU RoHS

ELV and RoHS Compliant
REACH SVHC
 Not Reviewed
Halogen-Free Status

China RoHS



Not Reviewed

Need more information on product environmental compliance?

Email productcompliance@molex.com
 Please visit the [Contact Us](#) section for any non-product compliance questions.

Search Parts in this Series

78239 Series

Mates With

78237 GbX I-Trac™ Vertical Power Receptacle

Use With

76040 GbX I-Trac™ Right Angle, 15 Row Receptacle Module

Application Tooling | FAQ

Tooling specifications and manuals are found by selecting the products below. Crimp Height Specifications are then contained in the Application Tooling Specification document.

Global

| | |
|--------------------|------------------|
| Description | Product # |
|--------------------|------------------|

| | |
|---|----------------------------|
| Press-in Tool, GbX I- | 0622018629 |
| Trac™ Right Angle Power Header for 15 Row | |

| | |
|--------------------------------|------------------------------|
| Polarized to PCB | Yes |
| Stackable | No |
| Surface Mount Compatible (SMC) | Yes |
| Temperature Range - Operating | -20°C to +85°C |
| Termination Interface: Style | Through Hole - Compliant Pin |

Electrical

| | |
|-------------------|-----------|
| Current - Maximum | 90A |
| Data Rate | 12.0 Gbps |
| Shield Type | N/A |
| Shielded | No |
| UL | E29179 |
| Voltage - Maximum | 250V DC |

Material Info**Reference - Drawing Numbers**

| | |
|-----------------------|--------------|
| Product Specification | PS-78231-006 |
| Sales Drawing | SD-78239-001 |

This document was generated on 12/01/2009

PLEASE CHECK WWW.MOLEX.COM FOR LATEST PART INFORMATION