

[Molex.com](#)

English
日本語
한국어
简体中文

[Register | Login](#)
[My Parts \(0 items \)](#)

Search site:Search: [Go](#)

- Product Name**
- Cross-Ref**
- Catalog**
- Literature**
- Industries**
- Standards**
- Contact Us**
- About Us**
- Investors**
- Careers**

- [Connectors](#)
- [Sockets](#)
- [I/O Connectors](#)
- [Cable Assemblies](#)
- [Fiber Optics](#)
- [Printed Circuit Products](#)
- [Industrial Products](#)
- [Lighting Products](#)

Switch Language

- [Home](#)
- [PCB Receptacles](#)
- [Datasheet](#)

Need Assistance?

- [Contact Us](#)
- [Find a Distributor](#)
- [Order Samples](#)
- [Tech Library](#)
- [Ecocare](#)
- [Electrical Models](#)

[Printer-friendly page](#)

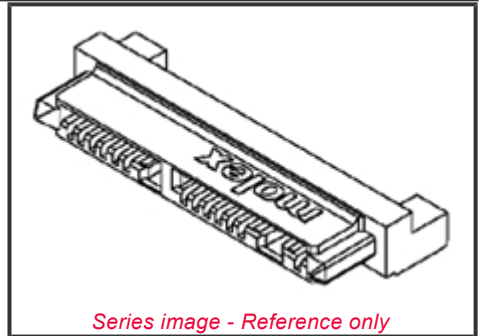
[Email this page](#)

Part Number:
0783200001

Status:
Active

Overview:
Micro SATA

Description:
1.27mm (.050") Pitch High Speed Micro Serial ATA Device Receptacle for 1.8" HDD/SSD, SMT, Right Angle, Top Mount, 16 Circuits, Tray, Lead free



Documents: *Note - Please disable browser pop-up blockers for documents on www.molex.com*

[Drawing \(PDF\)](#)

[Product Specification PS-78320-002 \(PDF\)](#)

[3D Model](#)

EU RoHS
ELV and RoHS
Compliant

REACH SVHC
Not Reviewed

Halogen-Free
Status
Not Reviewed

China RoHS



Need more information on product environmental compliance?Email productcompliance@molex.comFor a multiple part number RoHS Certificate of Compliance, [click here](#)Please visit the [Contact Us](#) section for any non-product compliance questions.**Search Parts in this Series**[78320](#)Series**Mates With**[78103](#), [78283](#) and [78285](#) Micro SATA Device Plugs**Order Products:****Part Detail: ([show all](#))**[General](#)[Physical](#)[Electrical](#)[Agency Certification](#)[Solder Process Data](#)[Material Info](#)[Reference - Drawing Numbers](#)**General**

Product Family	PCB Receptacles
Series	78320
Application	Board-to-Board
Overview	Micro SATA
Product Name	Micro Serial ATA, Serial ATA

Physical

Circuits (Loaded)	16
Circuits (maximum)	16
Circuits Detail	With optional manufacturing pins (S1 to S7 and P1 to P9)
Color - Resin	Black
Durability (mating cycles max)	500
Flammability	94V-0
Glow-Wire Compliant	No
Guide to Mating Part	Yes
Keying to Mating Part	Yes
Lock to Mating Part	Yes
Material - Metal	Copper Alloy
Material - Plating Mating	Gold
Material - Plating Termination	Tin
Material - Resin	Nylon
Number of Rows	1
Orientation	Right Angle
PCB Locator	Yes
PCB Retention	Yes
Packaging Type	Tray
Pitch - Mating Interface (in)	0.050 In, 0.200 In
Pitch - Mating Interface (mm)	1.27 mm, 5.08 mm
Pitch - Term. Interface (in)	0.050 In, 0.200 In
Pitch - Term. Interface (mm)	1.27 mm, 5.08 mm
Plating min: Mating (µin)	30
Plating min: Mating (µm)	0.76
Plating min: Termination (µin)	100
Plating min: Termination (µm)	2.54
Polarized to Mating Part	Yes
Polarized to PCB	Yes
Stackable	No
Temperature Range - Operating	-40°C to +105°C
Termination Interface: Style	Surface Mount

Electrical(Please review the Product Specification for specific details.)

Current - Maximum per Contact	1.5A
Grounding to PCB	Yes
Voltage - Maximum	30V

Agency Certification

CSA	LR19980
UL	E29179

Solder Process Data

Duration at Max. Process Temperature (seconds)	10
Lead-free Process Capability	Reflow Capable (SMT only)
Max. Cycles at Max. Process Temperature	1
Process Temperature max. C	260

Material Info

Reference - Drawing Numbers

Product Specification	PS-78320-002
Sales Drawing	SD-78320-001