

**NOTES:**

**1- MATERIAL:**

HOUSING: LCP GLASS FILLED UL 94V0 COLOUR: BLACK

TERMINAL: COPPER ALLOY PLATED WITH:  
BASE FINISH: NICKEL

CONTACT SURFACE FINISH:

GOLD

OR

GOLD FLASH OVER PALLADIUM NICKEL.

EXCEEDS PRODUCT REQUIREMENTS BASED ON PS-95501

SOLDER TABS: BRASS PLATED WITH 0.0020 MIN TIN.

2- JACK FOR MATING WITH IEC 60603-7 AND TIA-1096-A PLUGS  
(MOLEX 90075 SERIES)

3- PRODUCT SPECIFICATION: MOLEX PS-95501

4- POLYIMIDE ADHESIVE TAPE FOR PICK & PLACE SURFACE.  
THICKNESS: 125  $\mu$ m

5- PACKAGING SPECIFICATION: MOLEX PK-85502.  
(BLISTER PACKAGING).

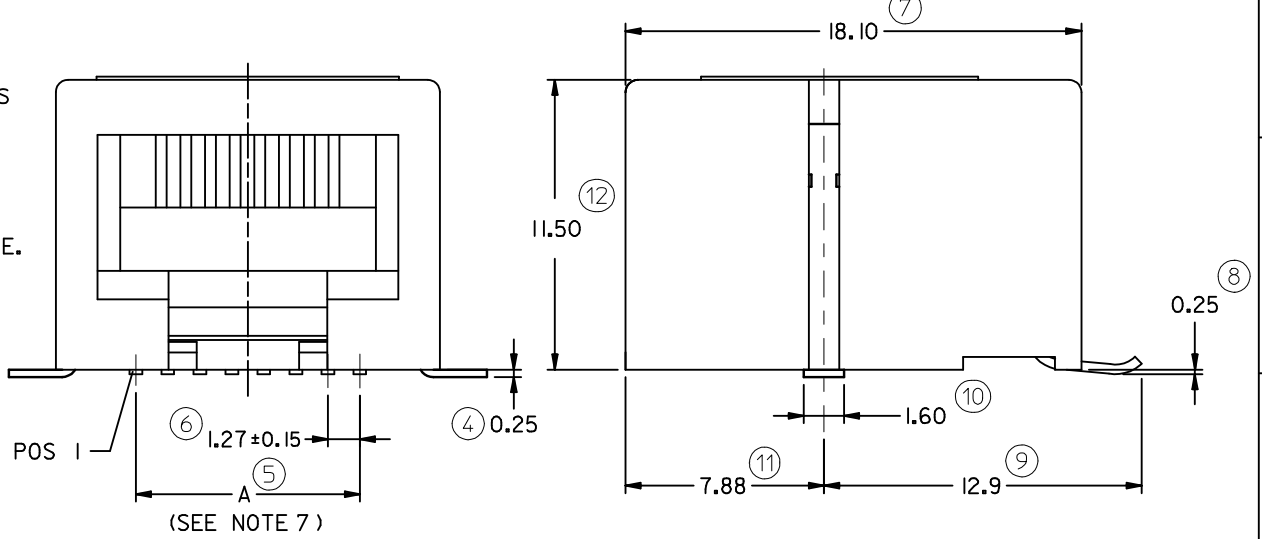
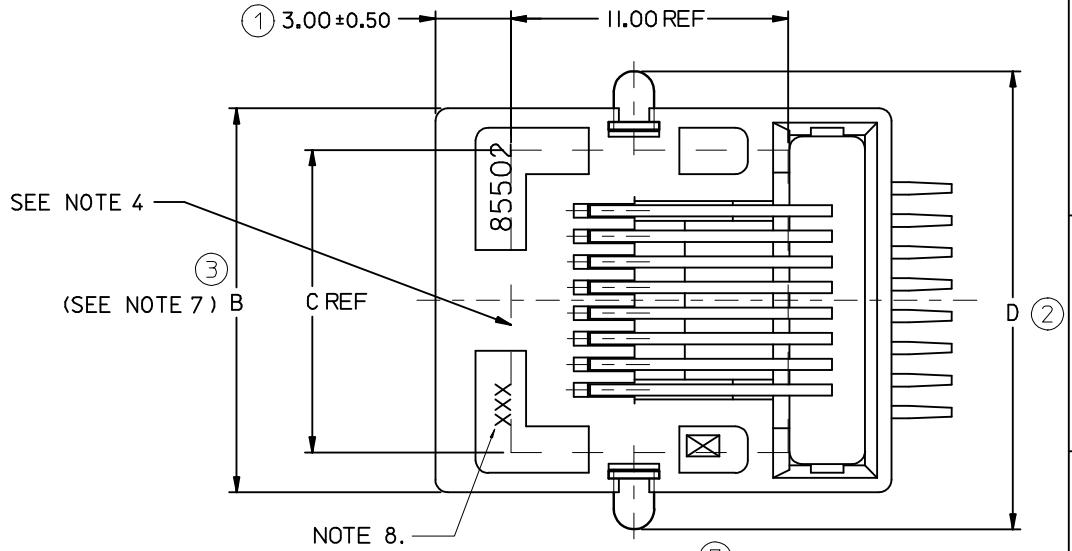
6- COPLANARITY OF SIGNAL LEADS: 0.10

7- SEE DIMENSIONS IN CHART ON SHEET 2.

8- MANUFACTURING I.D. CAN BE EITHER MG, MXF OR MXI.

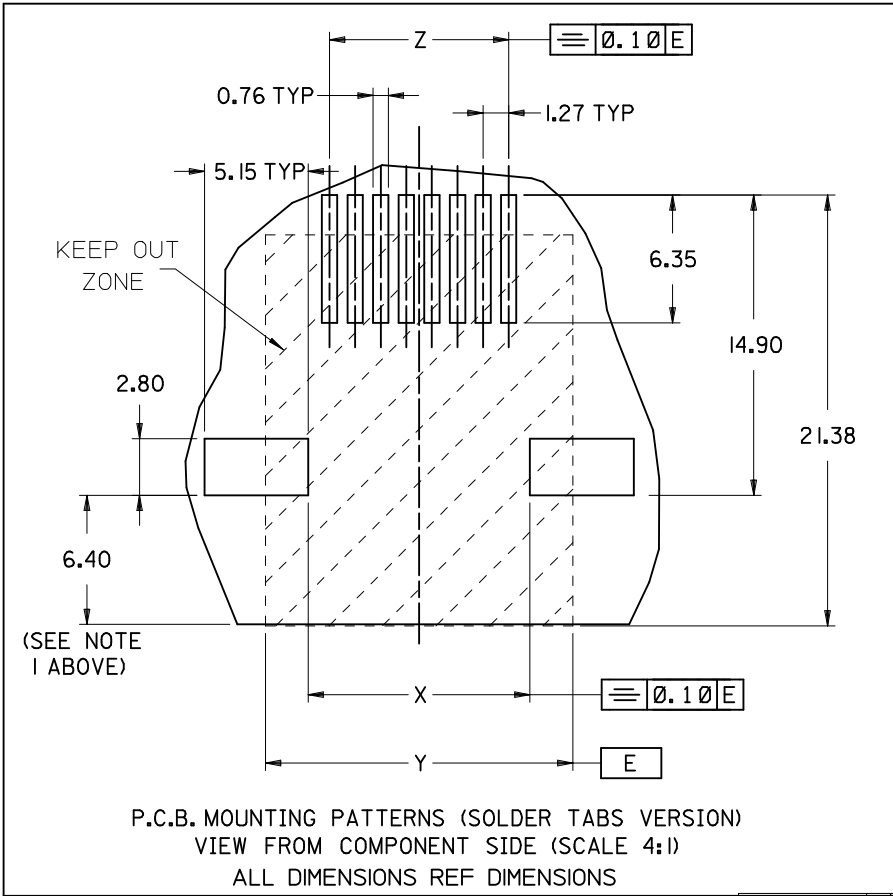
9- APPLICATION SPECIFICATION: AS-85513-001

LAST INSPECTION NUMBER: 12



<b>CHANGED PRODUCT SPEC:</b> EC NO: IPG2013-0771 DRWN:DBYRNES 2012/11/23 CHKD: APPR:STGRIFFIN 2012/12/13 REV DESCRIPTION	QUALITY SYMBOLS	GENERAL TOLERANCES (UNLESS SPECIFIED)	DIMENSION STYLE	SCALE	DESIGN UNITS	THIRD ANGLE PROJECTION	
	$\nabla=0$ $\square=0$	mm INCH 4 PLACES $\pm$ --- $\pm$ --- 3 PLACES $\pm$ --- $\pm$ --- 2 PLACES $\pm$ 0.25 $\pm$ --- 1 PLACE $\pm$ 0.35 $\pm$ --- ANGULAR $\pm$ 2 °	MM ONLY	5:1	METRIC	☉ $\square$	
			DRAWN BY DATE DB 2006/06/12 CHECKED BY DATE EOMAHONY 2006/06/15 APPROVED BY DATE EOMAHONY 2006/06/15 MATERIAL NO.	TITLE	R/A LOW PROFILE TRUE SMT 4,6 & 8 CONTACTS PC JACK WITH SIDE SOLDER TABS		
		DRAFT WHERE APPLICABLE MUST REMAIN WITHIN DIMENSIONS	SEE CHART SHT 2 SIZE A3	MOLEX INCORPORATED DOCUMENT NO. SD-85502-101	SHEET NO. 1 OF 2		

NOTES  
 1: RECOMMENDED DISTANCE FROM THE PCB'S EDGE  
 2: PLATING SEE SHEET ONE



PART NUMBERS FOR TRUE SMT JACK WITH SOLDER TABS									
HOUSING COLOR	POS 4	TOOLED	POS 6	TOOLED	POS 6	TOOLED	POS 8	TOOLED	
	4 CKTS		4 CKTS		6 CKTS		8 CKTS		
STANDARD VERSION	BLACK	85502-5005	X	85502-5006	X	85502-5007	X	85502-5008	X

TYPE	POS 4	POS 6		POS 8
	4 CKTS	4 CKTS	6 CKTS	8 CKTS
A ±0.15	3.81	3.81	6.35	8.89
B	11.18	13.21	13.21	15.24
C (REF)	8.50	8.50	8.50	12.00
D ±0.35	14.13	16.16	16.16	18.19
X ±0.10	6.94	8.97	8.97	11.00
Y (REF)	11.18	13.21	13.21	15.24
Z ±0.05	3.81	3.81	6.35	8.89

SEE SHEET 1  
 EC NO: IPG2012-0603  
 DRW:DBYRMS 2012/03/30  
 CHKD:SMGREVY 2012/04/02  
 APPR:EFOLAN 2012/06/26

QUALITY SYMBOLS  
 ▽=0  
 ◻=0

GENERAL TOLERANCES (UNLESS SPECIFIED)  
 DIMENSION STYLE MM ONLY  
 DRAWN BY DB DATE 2006/06/12  
 CHECKED BY EOMAHONY DATE 2006/06/15  
 APPROVED BY EOMAHONY DATE 2006/06/15  
 MATERIAL NO.  
 DRAFT WHERE APPLICABLE MUST REMAIN WITHIN DIMENSIONS

SCALE 5:1  
 DESIGN UNITS METRIC  
 THIRD ANGLE PROJECTION  
 TITLE R/A LOW PROFILE TRUE SMT 4,6 & 8 CONTACTS PC JACK WITH SIDE SOLDER TABS  
 MOLEX INCORPORATED  
 DOCUMENT NO. SD-85502-101  
 SHEET NO. 2 OF 2

THIS DRAWING CONTAINS INFORMATION THAT IS PROPRIETARY TO MOLEX INCORPORATED AND SHOULD NOT BE USED WITHOUT WRITTEN PERMISSION