

PLEASE CHECK WWW.MOLEX.COM FOR LATEST PART INFORMATION

Part Number: [0874391100](#)
Status: **Active - Custom**
Overview:
Description: 1.50mm (.059") Pitch Pico-SPOX™ Wire-to-Board Housing, 11 Circuits, Off-White Housing

Documents:

[3D Model](#) [Product Specification PS-87437 \(PDF\)](#)
[Drawing \(PDF\)](#) [RoHS Certificate of Compliance \(PDF\)](#)
[Product Literature \(PDF\)](#)

General

Product Family Crimp Housings
 Series [87439](#)
 Overview Pico-Spox™
 Product Name Pico-SPOX™

Physical

Circuits (maximum) 11
 Color - Resin Natural
 Flammability 94V-0
 Gender Female
 Glow-Wire Compliant No
 Lock to Mating Part Yes
 Material - Resin Nylon
 Number of Rows 1
 Packaging Type Bag
 Panel Mount No
 Pitch - Mating Interface (in) 0.059 In
 Pitch - Mating Interface (mm) 1.50 mm
 Polarized to Mating Part Yes
 Stackable No
 Temperature Range - Operating -55°C to +105°C

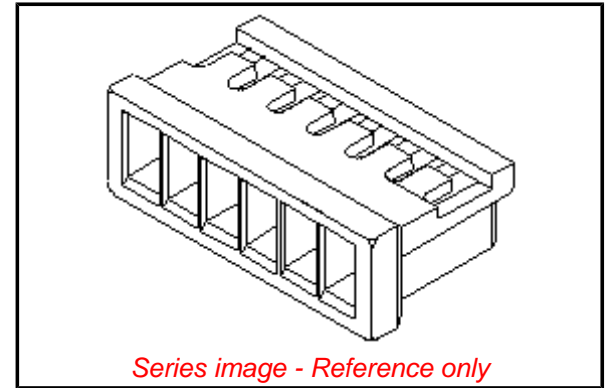
Electrical

CSA LR19980
 Current - Maximum 1.5A
 Current - Maximum 2A
 Current - Maximum 3A
 UL E29179

Material Info

Reference - Drawing Numbers

Product Specification PS-87437
 Product Specification RPS-87437-001
 Product Specification RPS-87437-200
 Sales Drawing SD-87439-**00



EU RoHS

**ELV and RoHS
 Compliant
 REACH SVHC
 Contains SVHC: No
 Halogen-Free
 Status**

China RoHS



Not Reviewed

**Need more information on product
 environmental compliance?**

Email productcompliance@molex.com
 Please visit the [Contact Us](#) section for any
 non-product compliance questions.

Search Parts in this Series

[87439](#) Series

Mates With

Pico-SPOX™ Wire-to-Board Header [87437](#) ,
[87438](#)

Use With

[87421](#) Pico-SPOX™ Crimp Terminal