

[Molex.com](#)

English  
日本語  
한국어  
简体中文

[Register | Login](#)  
[My Parts \( 0 items \)](#)

Search site:Search:  [Go](#)

- Product Name**
- Cross-Ref**
- Catalog**
- Literature**
- Industries**
- Standards**
- Contact Us**
- About Us**
- Investors**
- Careers**

- [Connectors](#)
- [Sockets](#)
- [I/O Connectors](#)
- [Cable Assemblies](#)
- [Fiber Optics](#)
- [Printed Circuit Products](#)
- [Industrial Products](#)
- [Lighting Products](#)

**Switch Language**

- [Home](#)
- [PCB Headers](#)
- [Datasheet](#)

**Need Assistance?**

- [Contact Us](#)
- [Find a Distributor](#)
- [Order Samples](#)
- [Tech Library](#)
- [Ecocare](#)
- [Electrical Models](#)

[Printer-friendly page](#)

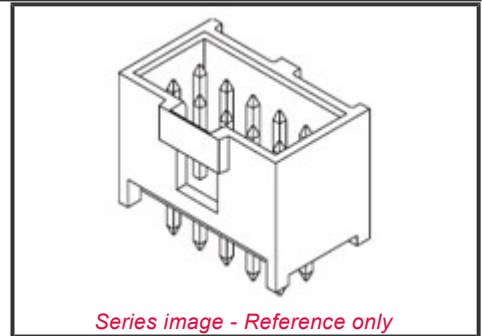
[Email this page](#)

**Part Number:**  
**0901303106**

**Status:**  
**Active**

**Overview:**  
**C-Grid III™**

**Description:**  
2.54mm (.100") Pitch C-Grid III™ Header, Dual Row, Right Angle, Shrouded, Fully Loaded, 6 Circuits, Black, 3µm (118µ") Tin (Sn) over Nickel (Ni)



**Documents:** *Note - Please disable browser pop-up blockers for documents on www.molex.com*

[Drawing \(PDF\)](#)

[Product Specification PS-99020-0001 \(PDF\)](#)

[3D Model](#)

**EU RoHS**  
**ELV and RoHS**  
**Compliant**

**China RoHS**



**REACH SVHC**  
**Contains SVHC: No**

**Halogen-Free**  
**Status**  
**Not Halogen-Free**

**Need more information on product environmental compliance?**Email [productcompliance@molex.com](mailto:productcompliance@molex.com)For a multiple part number RoHS Certificate of Compliance, [click here](#)Please visit the [Contact Us](#) section for any non-product compliance questions.**Search Parts in this Series**[90130](#)Series**Mates With**[90142](#) C-Grid III™ Crimp Housing**Order Products:****Part Detail:** ([show all](#))[General](#)[Physical](#)[Electrical](#)[Solder Process](#) [Data](#)[Material Info](#)[Reference - Drawing Numbers](#)**General**

Product Family	PCB Headers
Series	<a href="#">90130</a>
Application	Wire-to-Board
Overview	<a href="#">C-Grid III™</a>
Product Name	C-Grid III™

**Physical**

Breakaway	No
Circuits (Loaded)	6
Circuits (maximum)	6
Color - Resin	Black
Durability (mating cycles max)	30
First Mate / Last Break	No
Glow-Wire Compliant	No
Guide to Mating Part	No
Keying to Mating Part	None
Lock to Mating Part	Yes
Material - Metal	Brass
Material - Plating Mating	Tin
Material - Plating Termination	Tin
Material - Resin	Polyester
Number of Rows	2
Orientation	Right Angle
PC Tail Length (in)	0.114 In
PC Tail Length (mm)	2.90 mm
PCB Locator	No
PCB Retention	None
PCB Thickness Recommended (in)	0.063 In
PCB Thickness Recommended (mm)	1.60 mm
Packaging Type	Tray
Pitch - Mating Interface (in)	0.100 In
Pitch - Mating Interface (mm)	2.54 mm
Pitch - Term. Interface (in)	0.100 In
Pitch - Term. Interface (mm)	2.54 mm
Plating min: Mating (µin)	118
Plating min: Mating (µm)	3
Plating min: Termination (µin)	118
Plating min: Termination (µm)	3
Polarized to Mating Part	Yes
Polarized to PCB	No
Shrouded	Closed Ends
Stackable	No
Surface Mount Compatible (SMC)	No
Temperature Range - Operating	-55°C to +125°C
Termination Interface: Style	Through Hole

**Electrical**(Please review the Product Specification for specific details.)

Current - Maximum per Contact	3A
Voltage - Maximum	350V AC/DC

**Solder Process Data**

Duration at Max. Process Temperature (seconds)	5
Lead-free Process Capability	Wave Capable (TH only)
Max. Cycles at Max. Process Temperature	1
Process Temperature max. C	260

**Material Info****Reference - Drawing Numbers**

Product Specification	PS-99020-0001
Sales Drawing	SDA-90130