

[Molex.com](#)

English
日本語
한국어
简体中文

[Register | Login](#)
[My Parts \(0 items \)](#)

Search site: Search: [Go](#)

- Product Name**
- Cross-Ref**
- Catalog**
- Literature**
- Industries**
- Standards**
- Contact Us**
- About Us**
- Investors**
- Careers**

- [Connectors](#)
- [Sockets](#)
- [I/O Connectors](#)
- [Cable Assemblies](#)
- [Fiber Optics](#)
- [Printed Circuit Products](#)
- [Industrial Products](#)
- [Lighting Products](#)

Switch Language

- [Home](#)
- [Modular Jacks/Plugs](#)
- [Datasheet](#)

Need Assistance?

- [Contact Us](#)
- [Find a Distributor](#)
- [Order Samples](#)
- [Tech Library](#)
- [Ecocare](#)
- [Electrical Models](#)

[Printer-friendly page](#)

[Email this page](#)

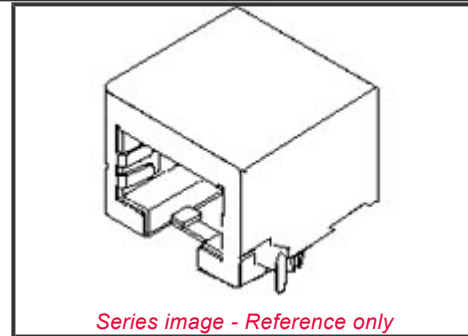
Part Number:
0955402881

Status:
Active

Overview:
RJ-45 Ethernet

Description:
Modular Jack, Right Angle, Shielded, Low Profile, 8/8

Documents: *Note - Please disable browser pop-up blockers for documents on www.molex.com*
[Drawing \(PDF\)](#) [Product Specification PS-95540-002 \(PDF\)](#)



EU RoHS
ELV and RoHS
Compliant

REACH SVHC
Not Reviewed

Halogen-Free Status
Not Reviewed



Need more information on product environmental compliance?

Email productcompliance@molex.com

For a multiple part number RoHS Certificate of Compliance, [click here](#)

Please visit the [Contact Us](#) section for any non-product compliance questions.

Search Parts in this Series

[95540Series](#)

Mates With

FCC 68 Plugs [95043](#)

[Application Specification \(PDF\)](#)

[Packag](#)

Order Products:

Part Detail: ([show all](#))

[General](#)[Physical](#)[Electrical](#)[Agency Certification](#)[Solder Process Data](#)[Material Info](#)[Reference - Drawing Numbers](#)

General

Product Family	Modular Jacks/Plugs
Series	95540
Component Type	PCB Jack
Overview	RJ-45 Ethernet
Performance Category	3
Power over Ethernet (PoE)	N/A
Product Name	RJ45

Physical

Boot Color	N/A
Color - Resin	Black
Durability (mating cycles max)	500
Flammability	94V-0
Inverted / Top Latch	No
Lightpipes/LEDs	None
Material - Metal	Brass
Material - Plating Mating	Gold
Material - Plating Termination	Tin
Material - Resin	High Temperature Thermoplastic
Orientation	Right Angle (Side Entry)
PCB Locator	Yes
PCB Retention	Yes
PCB Thickness Recommended (in)	0.062 In
PCB Thickness Recommended (mm)	1.57 mm
Packaging Type	Tray
Pitch - Mating Interface (in)	0.040 In
Pitch - Mating Interface (mm)	1.02 mm
Pitch - Term. Interface (in)	0.050 In
Pitch - Term. Interface (mm)	1.27 mm
Plating min: Mating (µin)	50.8
Plating min: Mating (µm)	1.27
Plating min: Termination (µin)	76
Plating min: Termination (µm)	1.9
Ports	1
Positions / Loaded Contacts	8/8
Surface Mount Compatible (SMC)	Yes
Temperature Range - Operating	-40°C to +80°C
Termination Interface: Style	Through Hole
Waterproof / Dustproof	No
Wire/Cable Type	N/A

Electrical(Please review the Product Specification for specific details.)

Current - Maximum per Contact	1.5A
Grounding to PCB	Yes
Shielded	Yes
Voltage - Maximum	125V AC (RMS)

Agency Certification

UL	E107635
----	---------

Solder Process Data

Duration at Max. Process Temperature (seconds)	45
Lead-free Process Capability	Wave Capable (TH only)
Max. Cycles at Max. Process Temperature	1
Process Temperature max. C	260

Material Info

Reference - Drawing Numbers

Product Specification	PS-95540-002
Sales Drawing	SD-95540-001