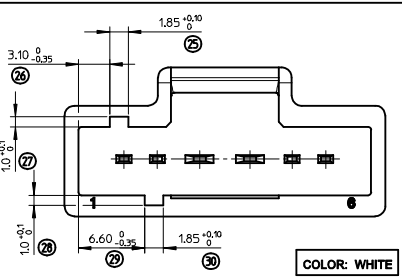
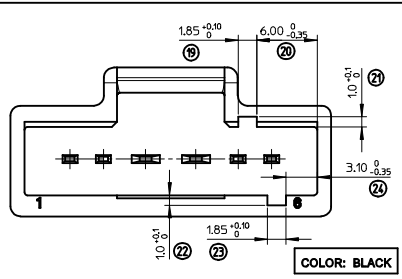
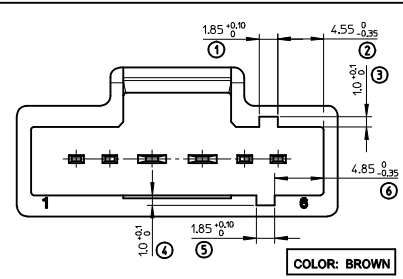
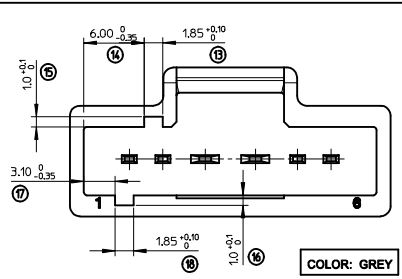
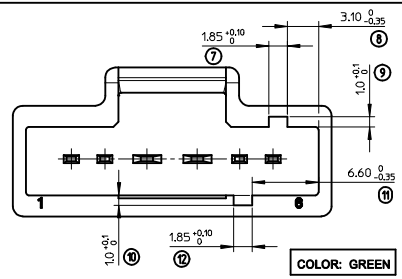
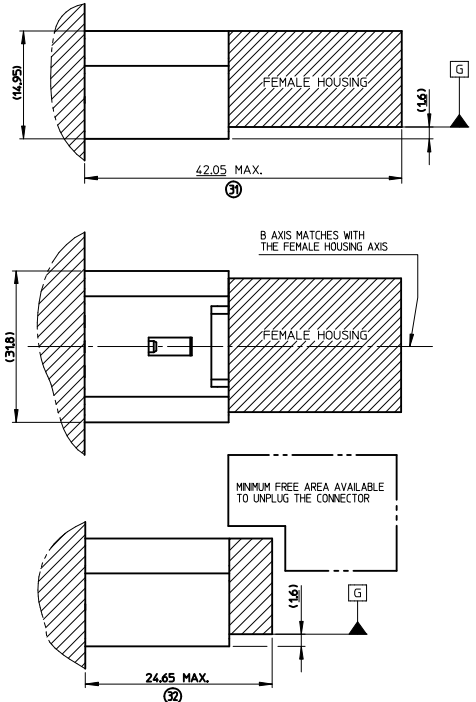


CODINGS

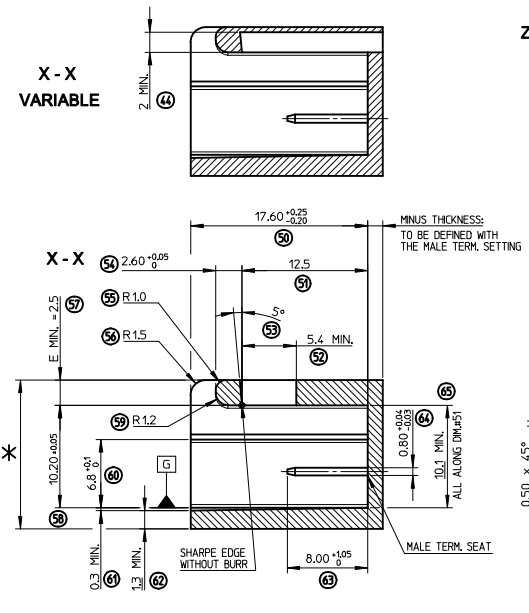


OVERALL DIMENSIONS



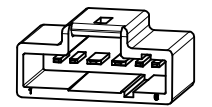
HEADER'S DEFINITION

(GREEN CODING REPRESENTED)



ISO VIEW

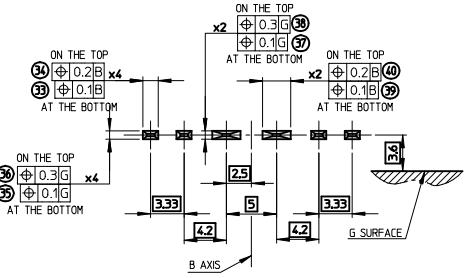
(GREEN CODING)



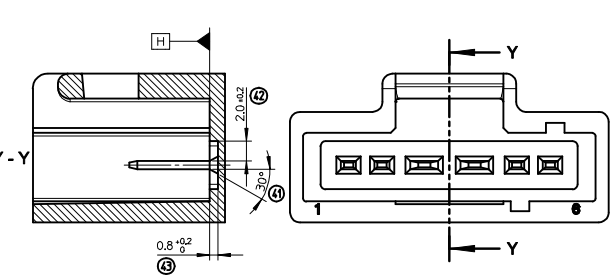
NOTES:

- MALE TERMINALS:**
- MALE TERMINALS RESISTANCE: 100N MIN IN MALE TERM. AXIS.
 - MATERIAL: COPPER, COPPER ALLOY OR BRASS.
 - FINISHES: TIN PLATED 2µ MIN.
- HEADER:**
- RADII WITHOUT DIM: R<0.3MM
 - E MIN: MINIMUM MATERIAL THICKNESS RECOMMENDED FOR SPECIFIED MATERIAL
 - MATERIAL: PBT (RECOMMENDED) (70)
 - * WARNING: 0.35MM MAX. ACCEPTED ON "*" DIM. WITH ANOTHER EXTERNAL SHAPE AS DRAWN WHEN PLUGGED.
- MATES WITH:**
- MOLEX CONNECTORS 98821-106X

MALE TERMINALS SETTING



MALE TERMINALS VARIABLE SETTING



REV.	FIRST	LAST	DELETED	SUPERSEDED
	1	76		

INSPECTION NUMBERS

PRINT 1st RELEASE
 EC NO: G2012-0184
 DRAWING DESIGNS: 2012/04/23
 CHK'D: JUDUCLOS 2012/04/24
 APPR'D: PLESSIS 2012/05/02

QUALITY SYMBOLS

GENERAL TOLERANCES (UNLESS SPECIFIED)	mm	INCH
4 PLACES ±	---	---
3 PLACES ±	---	---
2 PLACES ±	0.1	---
1 PLACE ±	0.1	---
0 PLACE ±	---	---

ANGULAR ± 2°
 DRAFT WHERE APPLICABLE MUST REMAIN WITHIN DIMENSIONS

DIMENSION STYLE
 MM ONLY

DRAWN BY ASHOOR 1996/12/20
CHECKED BY JUDUCLOS 2007/12/13
APPROVED BY DATE
 PLESSIS 2012/05/02

MATERIAL NO. N/A

SCALE 4:1
DESIGN UNITS METRIC
FIRST ANGLE PROJECTION

TITLE 6W INTERFACE HYB. (FOR FEMALE HOUSING)

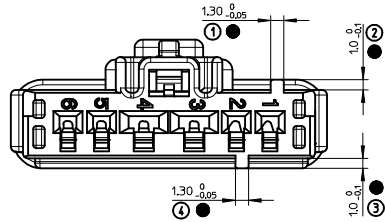
molex

DOCUMENT NO. SD-98820-002
SHEET NO. 1 OF 1

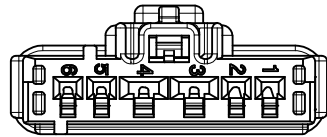
THIS DRAWING CONTAINS INFORMATION THAT IS PROPRIETARY TO MOLEX INCORPORATED AND SHOULD NOT BE USED WITHOUT WRITTEN PERMISSION

REV.	MODIFICATIONS
E	- PRINT REDRAWN AND ASSOCIATED WITH 3D MODELS. - FRENCH TEXTS REMOVED. - RE-NUMBERED BALLONS. - NEW MOLEX TITLE BLOCK (4 RE-PAGED).
D1	- DRAWING SPEC. N°26 REDRAWN WITH MOLEX ID ISO-98820-002
D	- R12 ±0.1 WAS R0.5 ±0.10 TO BE RESPECTED ON HEADERS.
C	- BROWN CODING ADDED.
B	- E-E SECTION: 0.3 MIN. (AND DRAFT) WAS 0.3 0/-0.1 MALE TERMINALS TOLERANCES AND SETTING UPDATED.
A	- 29.1 ±0.10 --> 29.1 ±0.1/-0.05 - 7 0/-0.1 --> 7 MAX - DM: 0.1 MIN. ADDED ALL ALONG DIM. 12.5 - 3.1 0/-0.1 --> 3.1 0/-0.35 - 6.6 0/-0.1 --> 6.6 0/-0.35 - 6.1 0/-0.1 --> 6.1 0/-0.35
/	- DRAWING GENERATED WITH SPEC. N°27 REV. B WITH CODINGS UPDATED AND LIGHTNESS CAVITIES REMOVED.

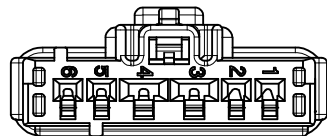
MOLEX P/N°: 0988211060
COLOUR: WHITE



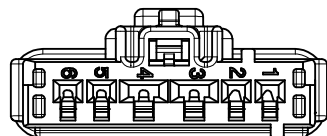
MOLEX P/N°: 0988211061
COLOUR: BLACK



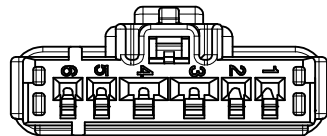
MOLEX P/N°: 0988211065
COLOUR: GREEN



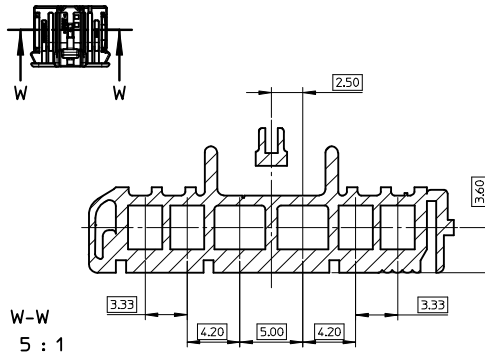
MOLEX P/N°: 0988211068
COLOUR: GREY



MOLEX P/N°: 0988211069
COLOUR: BROWN

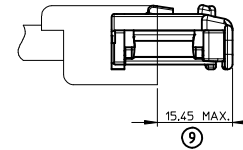


CAVITIES PITCH
5:1

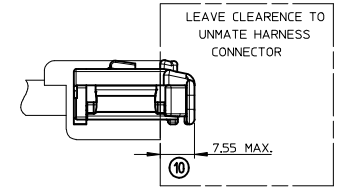


W-W
5 : 1

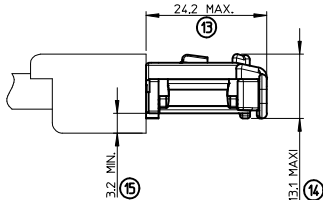
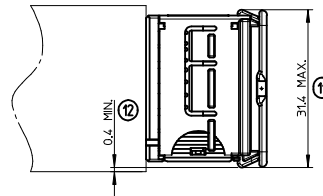
HOLDING IN FIXTURE
DIMENSION PRIOR TO LOCKING
2:1



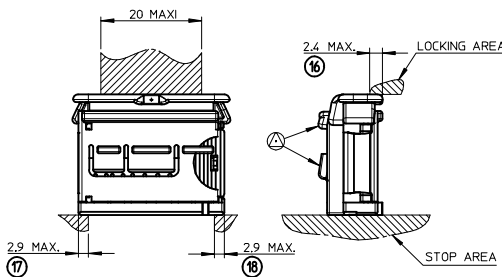
DIMENSION WHEN CONNECTOR MATED
2:1



CLEARANCE FOR CONNECTOR MATED AND UNMATED
2:1



HOLDING IN FIXTURE
2:1



MOLEX P/N

SCC RCPT TERM 1.5 MM	RANGE	MOLEX P/N
	RANGE 1	0988971109
	RANGE 2	0988971119
	RANGE 3	0988971129
TERM RCPT 2.8 MM UCC2	RANGE	MOLEX P/N
	RANGE 1	0988981029
	RANGE 2	0988981039
	RANGE 3	0988981049

INDICATION DIMENSIONS S.P.C DENOTES S.P.C DIMENSIONS
 INDICATION DIMENSIONS CRITIQUES DENOTES CRITIQUES DIMENSIONS
 INDICATION DIMENSIONS FONCTIONNELLES DENOTES FUNCTIONNELLES DIMENSIONS
 QUANTITE PAR FEUILLE INDIVIDUELLE
 QUANTITY PER INDIVIDUAL SHEET
 = 0 = 0 = 4

- FEMALE CONNECTOR WILL MATE WITH MALE CONNECTOR P/N 098825106x OR HEADER P/N 098770201X

- THE USING CONDITIONS OF THE HINGE ARE SHOWNN IN THE MOLEX SPECIFICATION N°: AS-98821-001.

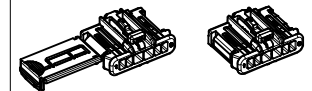
- HOLDING FORCE ONTO FIXTURE:
20 TO 35 NEWTON WITH PUSH TEST.
10 TO 35 NEWTON WITHOUT PUSH TEST.

- DO NOT LOCK THE FIXTURE WITH THE AREAS IDENTIFIED BY: (15)

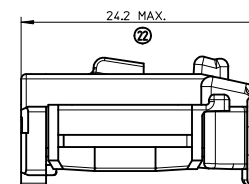
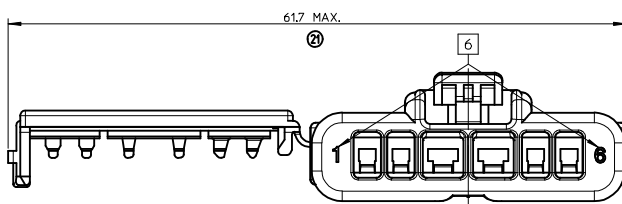
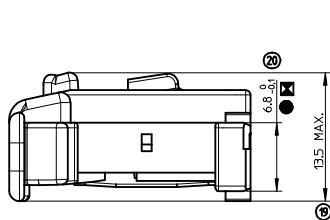
- DO NOT DAMAGE THE PART ON THE AREAS IDENTIFIED BY: (16)

- FEMALE TERMINAL USED: SEE CHART BELOW.

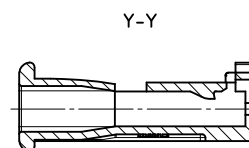
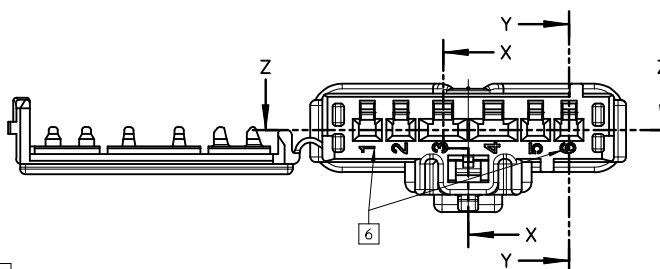
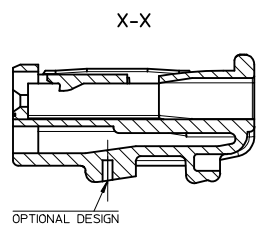
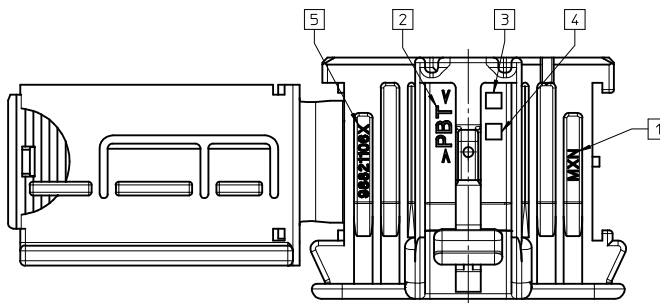
SECONDARY LOCK UNLOCKED t1 SECONDARY LOCK LOCKED t1



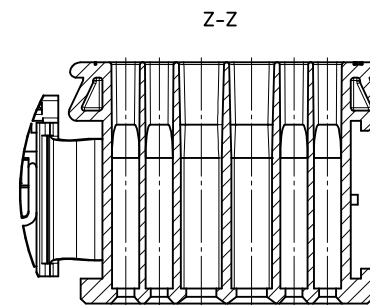
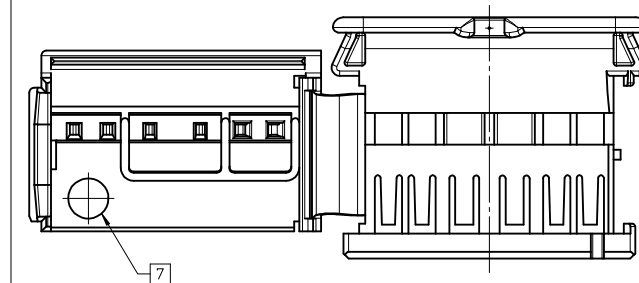
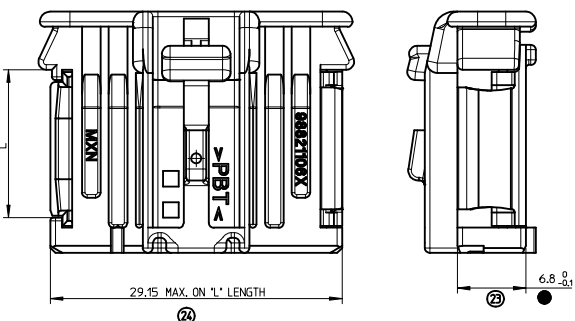
REVISED IEC NO: G2013-030 0000-0103 C DRAWINGS: BRUIERES 2013/04/26 CHYKOLBARRETO 2013/04/26 APPR: OPFLISSIS 2013/09/12	QUALITY SYMBOLS DESCRIPTION	GENERAL TOLERANCES (UNLESS SPECIFIED)		DIMENSION STYLE MM ONLY		SCALE 4:1	DESIGN UNITS METRIC	FIRST ANGLE PROJECTION
		4 PLACES ± --- ± --- 3 PLACES ± --- ± --- 2 PLACES ± 0.05 ± --- 1 PLACE ± 0.10 ± --- 0 PLACE ± 0.10 ± ---	mm INCH	DRAWN BY LPOUCHAUD	DATE 2007/12/05	TITLE UCC RCPT CONN HYBRID UNSEALD 6CKT		molex
DRAFT WHERE APPLICABLE MUST REMAIN WITHIN DIMENSIONS		ANGULAR ± 1 °		SEE CHART		DOCUMENT NO. SD-98821-002		SHEET NO. 1 OF 2
THIS DRAWING CONTAINS INFORMATION THAT IS PROPRIETARY TO MOLEX INCORPORATED AND SHOULD NOT BE USED WITHOUT WRITTEN PERMISSION								



SECONDARY LOCK
UNLOCKED



SECONDARY LOCK
LOCKED



- FEMALE CONTACTS AND CAVITIES LOCATION,
HOLDING IN FIXTURE, OVERALL DIMENSIONS,
KEY ACCORDING SHEET 1/2 OF SAME P/N°.

MARKINGS:

- 1 - SUPPLIER MFG. PLANT ID.
- 2 - MATERIAL
- 3 - MOLD CAVITY ID.
- 4 - SUPPLIER MOLD REV. LEVEL
- 5 - SUPPLIER P/N°
- 6 - TERM. CAVITY N°
- 7 - DATUM: MONTH/YEAR

1 : 1



[X] INDICATION DIMENSIONS S.P.C
 DENOTES S.P.C DIMENSIONS
 [2] INDICATION DIMENSIONS CRITIQUES
 DENOTES CRITIQUES DIMENSIONS
 [3] INDICATION DIMENSIONS FONCTIONNELLES
 DENOTES FUNCTIONNELLES DIMENSIONS
 QUANTITE PAR FEUILLE INDIVIDUELLE
 QUANTITY PER INDIVIDUAL SHEET
 [4] = 1 [5] = 0 [6] = 2

DESCRIPTION	P/N°	COLOUR	MATERIAL	EFFECTIVE WEIGHT
UCC RCPT CONN HYBRID UNSEALED 6CKT	0988211069	BROWN	PBT	3.480 g
	0988211068	GREY		
	0988211065	GREEN		
	0988211060	WHITE		
	0988211061	BLACK		

REVISED
 E.C. NO: G2013-0330
 DRAWING: BRVIERES 2013/04/26
 CHK: BARRETO 2013/04/26
 APPR: DELESSIS 2013/09/12

QUALITY SYMBOLS	GENERAL TOLERANCES (UNLESS SPECIFIED)	
	mm	INCH
4 PLACES ± --- ± ---		
3 PLACES ± --- ± ---		
2 PLACES ± 0.05 ± ---		
1 PLACE ± 0.10 ± ---		
0 PLACE ± 0.10 ± ---		
	ANGULAR ± 1 °	
	DRAFT WHERE APPLICABLE MUST REMAIN WITHIN DIMENSIONS	

DIMENSION STYLE	
MM ONLY	
DRAWN BY	DATE
LPOUCHAUD	2007/12/05
CHECKED BY	DATE
YIGEL	2007/12/12
APPROVED BY	DATE
LSTICKEIR	2007/12/17
MATERIAL NO.	
SEE CHART	
THIS DRAWING CONTAINS INFORMATION THAT IS PROPRIETARY TO MOLEX INCORPORATED AND SHOULD NOT BE USED WITHOUT WRITTEN PERMISSION	

SCALE	DESIGN UNITS	FIRST ANGLE PROJECTION	TITLE
4:1	METRIC	[Symbol]	UCC RCPT CONN HYBRID UNSEALED 6CKT
DOCUMENT NO.			SHEET NO.
SD-98821-002			2 OF 2
molex			