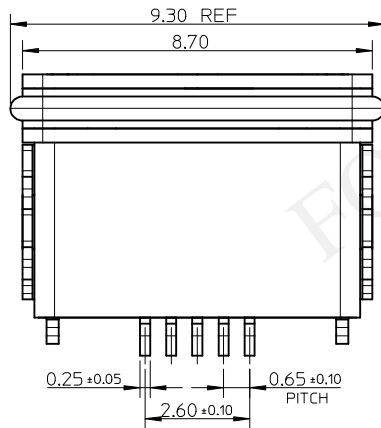
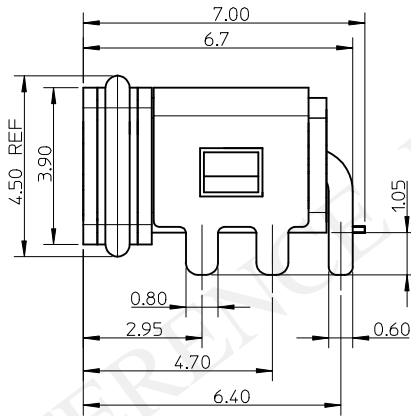
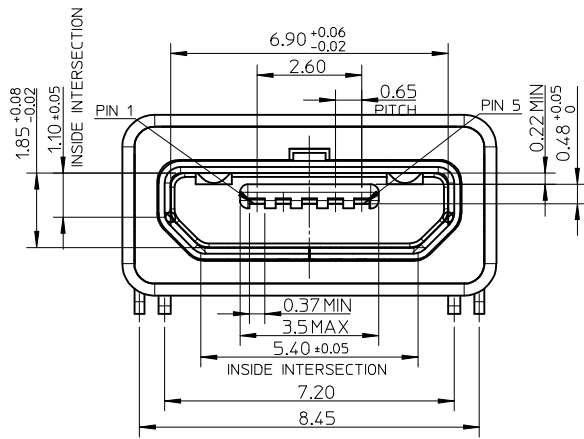


RECOMMENDED PCB PATTERN LAYOUT
GENERAL TOLERANCE: ±0.05



NOTES:

1. MATERIAL:

HOUSING: LCP, BLACK, UL94V-0;
TERMINAL: COPPER ALLOY, THICKNESS: 0.15mm;
SHELL: STAINLESS STEEL, THICKNESS: 0.30mm;
METAL TAB: STAINLESS STEEL, THICKNESS: 0.25mm;
SEALING RING: SILICON RUBBER.

2. PLATING:

TERMINAL: CONTACT AREA: GOLD FLASH OVER MINIMUM 0.75MICRON Pd/Ni;
SOLDER TAIL AREA: GOLD FLASH, UNDER PLATING: NICKEL 2.0MICRON MINIMUM.
SHELL / METAL TAB: 2.0MICRON MINIMUM MATTE TIN OVER
1.27MICRON MINIMUM NICKEL UNDER PLATING.

3. TAIL COPLANARITY 0.08mm MAXIMUM.

4. PRODUCT SPECIFICATION: PK-105296-001.

5. PACKAGE SPECIFICATION: PS-105296-001.

6. PRODUCTS MEET IP67 TEST REQUEST.

7. COMPLIANT TO RoHS DIRECTIVE 2011/65/EU AND ELV 2000/53/EC.

PROPOSAL EC NO: SH2015-0157 U DRWN: XQZHANG 2014/10/15 CHKD: APPR: XQZHANG 2014/11/03 REV	QUALITY SYMBOLS $\nabla_F = 0$ $\nabla_F = 0$ $\nabla_F = 0$	GENERAL TOLERANCES (UNLESS SPECIFIED)		DIMENSION STYLE	SCALE	DESIGN UNITS	THIRD ANGLE PROJECTION	
				MM ONLY	1:1	METRIC		
		4 PLACES	± ---	± ---	DRAWN BY	DATE	TITLE	
		3 PLACES	± ---	± ---	XQZHANG	2013/09/16	SALES DRAWING FOR USB, MICRO-B WATERPROOF TYPE molex MATERIAL NO. 105296-1101 DOCUMENT NO. SD-105296-110 SHEET NO. 1 OF 1	
2 PLACES	± 0.15	± ---	CHECKED BY	DATE				
1 PLACE	± 0.25	± ---	XQZHANG	2013/09/16				
0 PLACE	± ---	± ---	APPROVED BY	DATE				
		ANGULAR ± 3 °		XQZHANG	2013/09/24			
		DRAFT WHERE APPLICABLE MUST REMAIN WITHIN DIMENSIONS		SIZE A3		THIS DRAWING CONTAINS INFORMATION THAT IS PROPRIETARY TO MOLEX INCORPORATED AND SHOULD NOT BE USED WITHOUT WRITTEN PERMISSION		