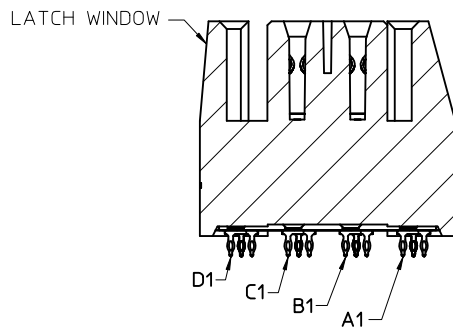
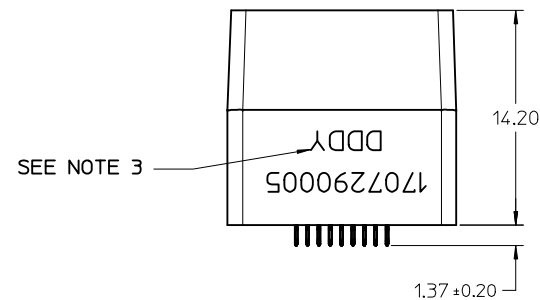
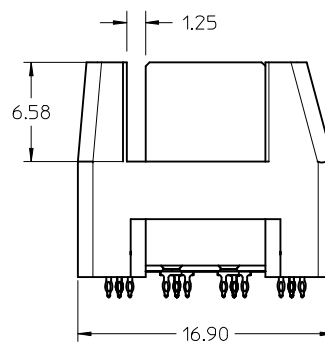
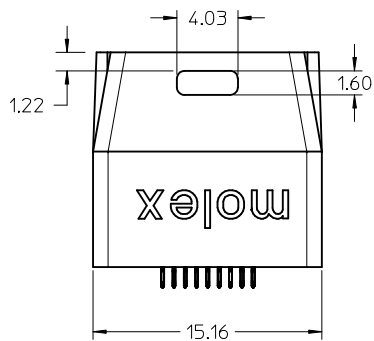


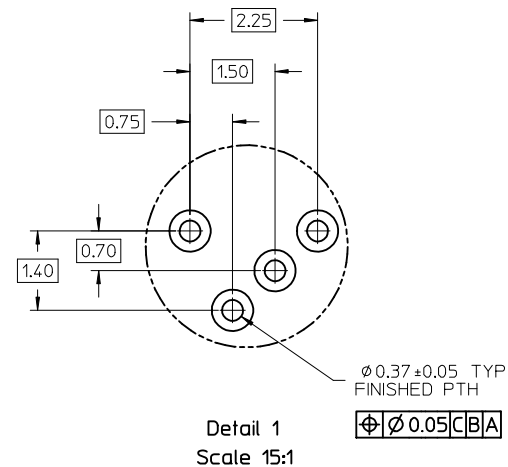
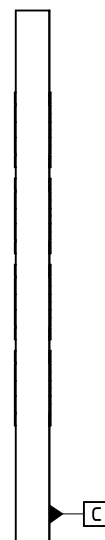
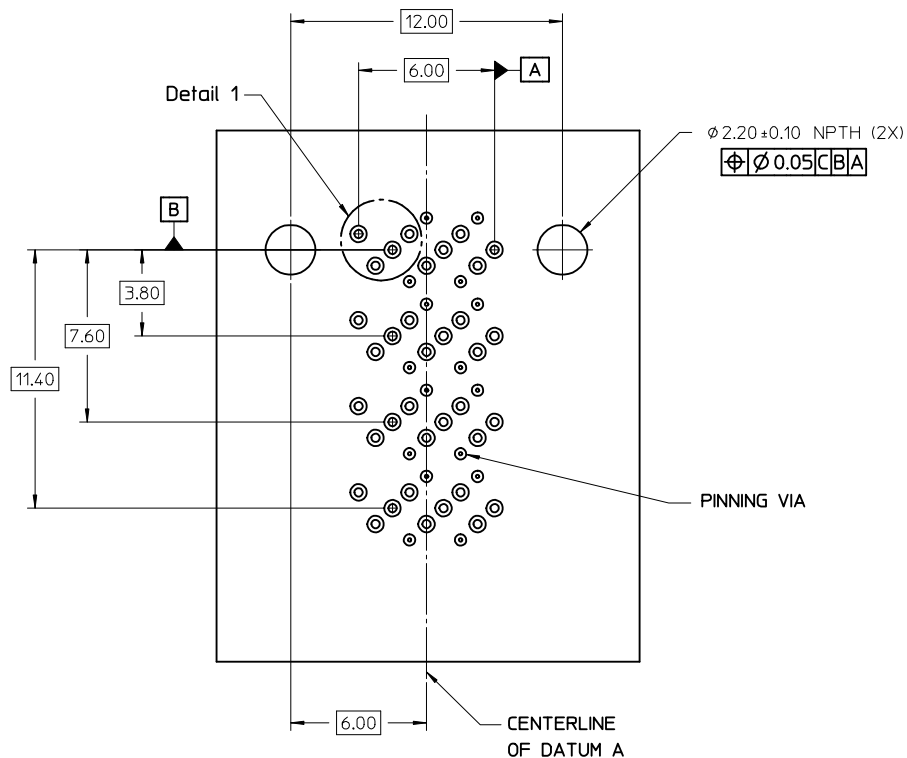
NOTES:

1. MATERIALS:
CONNECTOR HOUSING: HIGH TEMPERATURE THERMOPLASTIC
GLASS FILLED, UL 94V-0
2. FINISHES:
CONTACT AREA: 0.76 μM MIN GOLD OVER 3.81 μM NICKEL
COMPLIANT AREA: 0.76 μM MIN TIN (LEAD FREE)
OVER 1.27 μM MIN NICKEL
3. MANUFACTURED DATE CODE (JULIAN CALENDAR) & PART NUMBER
4. PRODUCT SPECIFICATION: PS-170729-001
5. PACKAGING SPECIFICATION: PK-76867-002
6. MATES WITH: MOLEX CABLE SERIES 111074
7. MOUNTING HARDWARE NOT INCLUDED REFER TO APPLICATION SPECIFICATION AS-170729-0001.
8. PLUG MODULE PCB LAYOUT REFER TO SD-76866-9900



Section A-A

| | | | | | | | | |
|---|--|---------------------------------------|---------------------------|---|--|-------------------------------|------------------------|--|
| REV'D NOTE 7 EC NO: UCP2015-2559 DRW:WESERWACKI 2014/12/18 CHKD:TMCCLELLAND 2015/01/07 APPR:MBANKS 2015/01/09 | QUALITY SYMBOLS ∇=0 ∇=0 ∇=0 | GENERAL TOLERANCES (UNLESS SPECIFIED) | | DIMENSION STYLE MM ONLY | SCALE 4:1 | DESIGN UNITS METRIC | THIRD ANGLE PROJECTION | |
| | | 4 PLACES ± --- ± --- | DRAWN BY KBINGHAM | DATE 2013/02/04 | TITLE IPASS ZHD VERTICAL SINGLE PIECE HOUSING ASSEMBLY molex MATERIAL NO. 170729-0005 DOCUMENT NO. SD-170729-0005 SHEET NO. 1 OF 3 | | | |
| | | 3 PLACES ± --- ± --- | CHECKED BY TMCCLELLAND | DATE 2013/03/19 | | | | |
| | | 2 PLACES ± 0.13 ± --- | APPROVED BY TMCCLELL | DATE 2013/03/19 | | | | |
| 1 PLACE ± 0.25 ± --- | ANGULAR ± 2 ° | | | | | | | |
| 0 PLACE ± --- ± --- | DRAFT WHERE APPLICABLE MUST REMAIN WITHIN DIMENSIONS | | SIZE C | THIS DRAWING CONTAINS INFORMATION THAT IS PROPRIETARY TO MOLEX INCORPORATED AND SHOULD NOT BE USED WITHOUT WRITTEN PERMISSION | | | | |

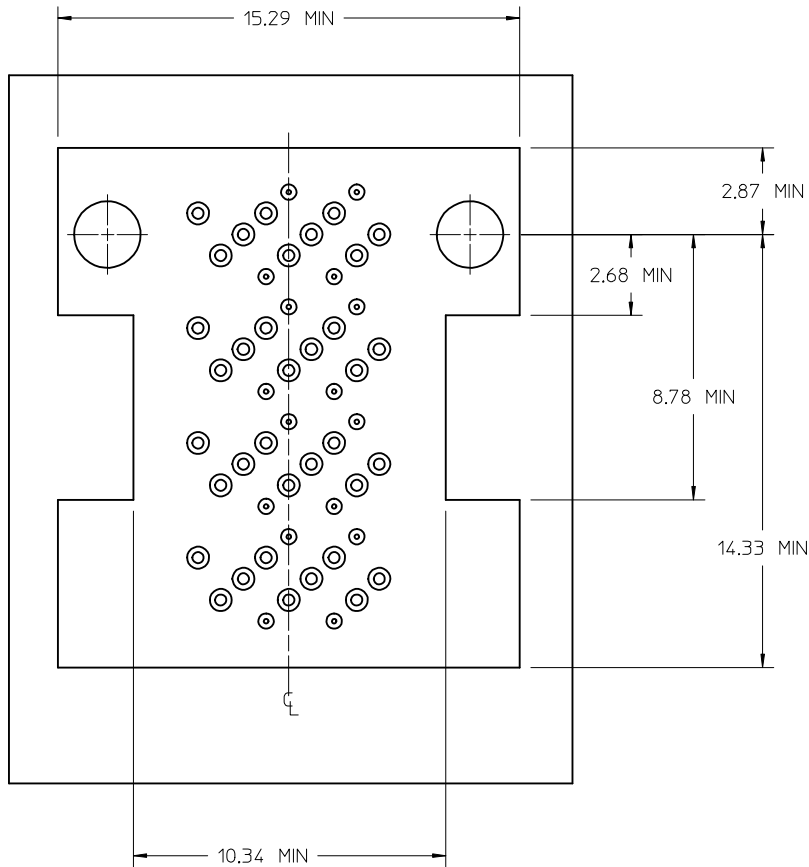


RECOMMENDED FOOTPRINT

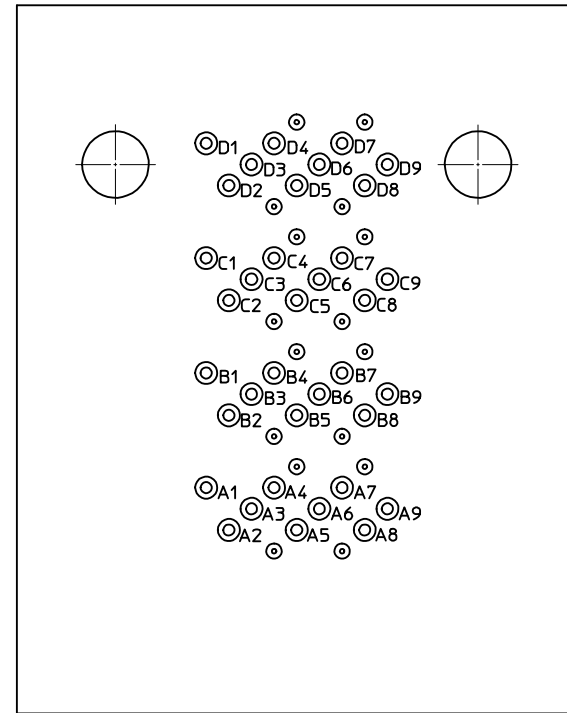
NOTES:

1. RECOMMENDED DRILL SIZE AND ANNULAR RING FOR 0.37Ø FINISHED PTH - REFER TO APPLICATION SPECIFICATION AS-170729-0001
2. MINIMUM RECOMMENDED SPACING IS 16.00MM
3. MINIMUM RECOMMENDED PCB THICKNESS: 1.57MM

| | | | | | | | | | | |
|--|--------------------------------------|---------------------------------------|-------|--|-------|---|-------------------------------|--|--|--|
| SEE SHEET 1 EC NO: UCP2015-2559 DRAWN: MESERWACKI 2014/12/18 CHKD: MCCLELLAND 2015/01/07 APPR: MBANKS 2015/01/09 | QUALITY SYMBOLS ▽=0 ▽=0 ▽=0 | GENERAL TOLERANCES (UNLESS SPECIFIED) | | DIMENSION STYLE MM ONLY | | SCALE 6:1 | DESIGN UNITS METRIC | THIRD ANGLE PROJECTION | | |
| | | | | mm | INCH | DRAWN BY KBINGHAM | DATE 2013/02/04 | TITLE IPASS ZHD VERTICAL SINGLE PIECE HOUSING ASSEMBLY | | |
| | | | | 4 PLACES ± --- | ± --- | CHECKED BY TMCCLELLAND | DATE 2013/03/19 | | | |
| | | | | 3 PLACES ± --- | ± --- | APPROVED BY TMCCLELL | DATE 2013/03/19 | DOCUMENT NO. SD-170729-0005 | | |
| | | 2 PLACES ± 0.13 | ± --- | MATERIAL NO. | | SHEET NO. 2 OF 3 | | | | |
| | | 1 PLACE ± 0.25 | ± --- | DRAFT WHERE APPLICABLE MUST REMAIN WITHIN DIMENSIONS | | THIS DRAWING CONTAINS INFORMATION THAT IS PROPRIETARY TO MOLEX INCORPORATED AND SHOULD NOT BE USED WITHOUT WRITTEN PERMISSION | | | | |
| | | 0 PLACE ± --- | ± --- | | | | | | | |



RECOMMENDED COMPONENT KEEP OUT AREA



CIRCUIT IDENTIFICATION

| | | | | | | | | | |
|---|--------------------------------------|---------------------------------------|----------------------|-----------------------------------|----------------------|-------------------------------|------------------------|--|------------------------------------|
| SEE SHEET 1 EC NO: UCP2015-2559 DRAWN: MESERWACKI 2014/12/18 CHKD: TMCLELLAND 2015/01/07 APPR: MBANKS 2015/01/09 | QUALITY SYMBOLS ▽=0 ▽=0 ▽=0 | GENERAL TOLERANCES (UNLESS SPECIFIED) | | DIMENSION STYLE MM ONLY | SCALE 8:1 | DESIGN UNITS METRIC | THIRD ANGLE PROJECTION | | |
| | | 4 PLACES ± --- ± --- | 3 PLACES ± --- ± --- | 2 PLACES ± 0.13 ± --- | 1 PLACE ± 0.25 ± --- | 0 PLACE ± --- ± --- | ANGULAR ± 2 ° | DRAFT WHERE APPLICABLE MUST REMAIN WITHIN DIMENSIONS | MATERIAL NO. SEE SHEET 1 |
| <p style="text-align: center;">IPASS ZHD VERTICAL SINGLE PIECE HOUSING ASSEMBLY</p> <p style="text-align: center;">molex</p> <p style="text-align: center;">THIS DRAWING CONTAINS INFORMATION THAT IS PROPRIETARY TO MOLEX INCORPORATED AND SHOULD NOT BE USED WITHOUT WRITTEN PERMISSION</p> | | | | | | | | | |