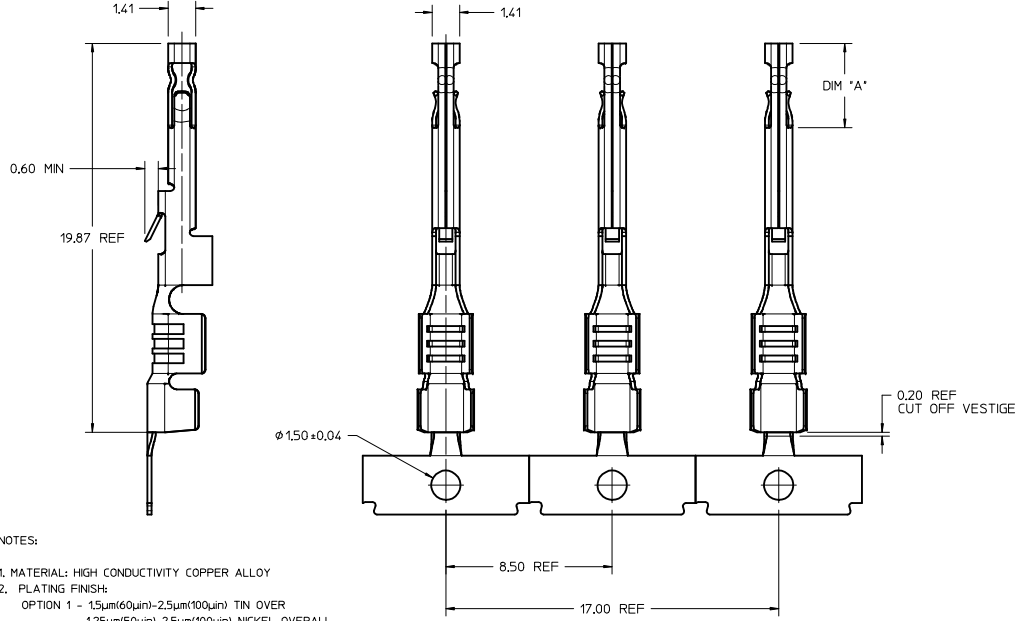
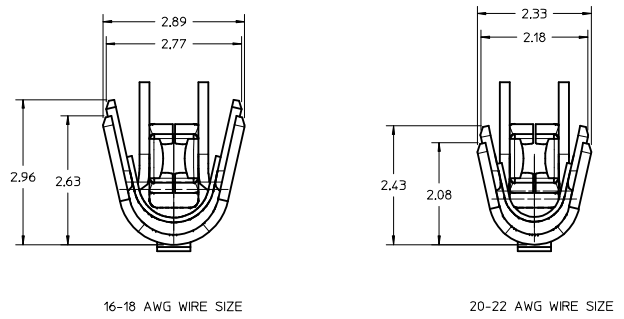
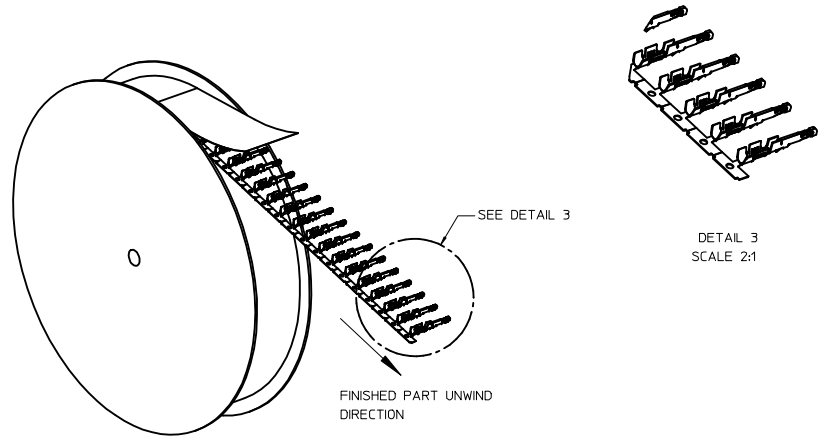
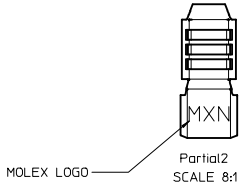


| FINISHED RECEPTACLE TERMINALS | | | |
|-------------------------------|------------------------|-----------------|-------|
| PART NUMBER | CONTACT PLATING OPTION | WIRE SIZE [AWG] | DIM A |
| 172253-3023 | TIN/NICKEL | 16-18 | 4.30 |
| 172253-3123 | TIN/NICKEL | 20-22 | 4.30 |
| 172253-3011 | 15AU/NICKEL | 16-18 | 5.30 |
| 172253-3111 | 15AU/NICKEL | 20-22 | 5.30 |
| 172253-3012 | 30AU/NICKEL | 16-18 | 5.30 |
| 172253-3112 | 30AU/NICKEL | 20-22 | 5.30 |



- NOTES:
- MATERIAL: HIGH CONDUCTIVITY COPPER ALLOY
 - PLATING FINISH:
 - OPTION 1 - 1.5µm(60µin)-2.5µm(100µin) TIN OVER
1.25µm(50µin)-2.5µm(100µin) NICKEL OVERALL
 - OPTION 2 - 0.35µm(15µin) GOLD CONTACT AREA,
1.5µm(60µin)-2.5µm(100µin) TIN CRIMP AREA OVER
1.25µm(50µin)-2.5µm(100µin) NICKEL OVERALL
 - OPTION 3 - 0.70µm(30µin) GOLD CONTACT AREA,
1.5µm(60µin)-2.5µm(100µin) TIN CRIMP AREA OVER
1.25µm(50µin)-2.5µm(100µin) NICKEL OVERALL
 - PRODUCT SPECIFICATION PS-172323-0001
 - PACKAGING SPECIFICATION PK-172253-5101
 - TERMINAL FOR USE WITH 172256, 172258, 172260 AND 172262 RECEPTACLE HOUSING
 - WHEN TERMINALS ARE INSTALLED IN THE HOUSING THE WIRES ARE TO BE DRESSED IN SUCH WAY TO ALLOW THE TERMINALS TO FLOAT FREELY IN THE POCKET
 - TERMINAL DESIGNED FOR SINGLE WIRE CRIMP
 - PART CONFORMS TO CALSS 'B' REQUIREMENTS OF COSMETIC SPECIFICATION PS-45499-002
 - APPLICATOR CRIMP TOOL TO USE:
439032800 - FOR 16-18AWG WIRE
439032900 - FOR 20-22AWG WIRE
 - APPLICATION SPECIFICATION AS-172323-0001
 - RECOMMENDED INSULATOR
16AWG WIRE - OD 2.00MM MAX.
18AWG WIRE - OD 1.70MM MAX.
20AWG WIRE - OD 1.50MM MAX.
22AWG WIRE - OD 1.30MM MAX.



| | | | | | | |
|--|-----------------|--|---|---|--------------|------------------------|
| X-RELEASE IEC NO. UCP2015-1559 DRAWN BY DROSCA CHKD: JCMERCI APPR: RHODGE DATE: 2014/10/23 REV: 1 | QUALITY SYMBOLS | GENERAL TOLERANCES (UNLESS SPECIFIED) | DIMENSION STYLE | SCALE | DESIGN UNITS | THIRD ANGLE PROJECTION |
| | ▽=0 | 4 PLACES ± --- ± --- | MM ONLY | 8:1 | METRIC | ☉ |
| | ▽=0 | 3 PLACES ± --- ± --- | | | | |
| | ▽=6 | 2 PLACES ± 0.25 ± --- | | | | |
| | | ANGULAR ±1/2° | DRAWN BY DATE | TITLE | | |
| | | DRAFT WHERE APPLICABLE MUST REMAIN WITHIN DIMENSIONS | DROSCA 2014/03/07 | ULTRA-FIT RECEPTACLE TERMINAL FOR 16-18 AWG, 20-22AWG | | |
| | | | CHECKED BY DATE | molex | | |
| | | | JCMERCI 2014/04/24 | SD-172253-1000 | | |
| | | | MATERIAL NO. | DOCUMENT NO. | SHEET NO. | |
| | | | SEE CHART | | 1 OF 1 | |
| | | | THIS DRAWING CONTAINS INFORMATION THAT IS PROPRIETARY TO MOLEX INCORPORATED AND SHOULD NOT BE USED WITHOUT WRITTEN PERMISSION | | | |