

DWG. NO. SD-35413-001

SIMILAR ITEM

PROJECT NO.

C

B

DO NOT SCALE DRAWING DIMENSION IN METRIC

8

7

6

5

4

3

2

1

F

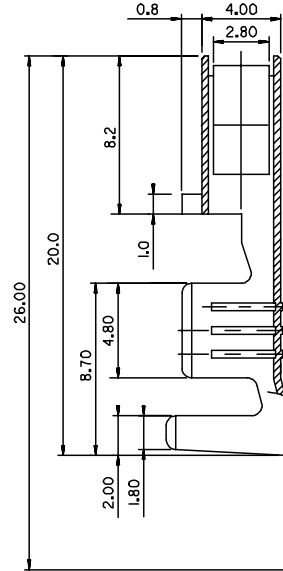
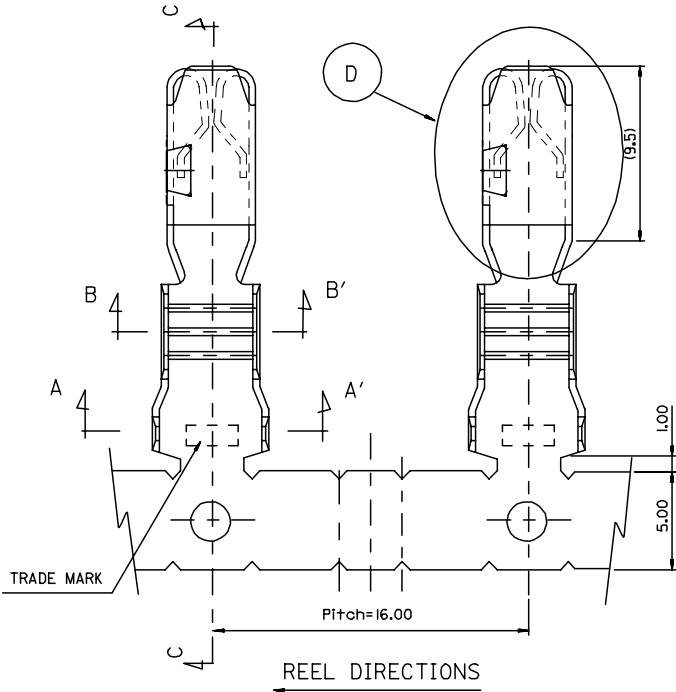
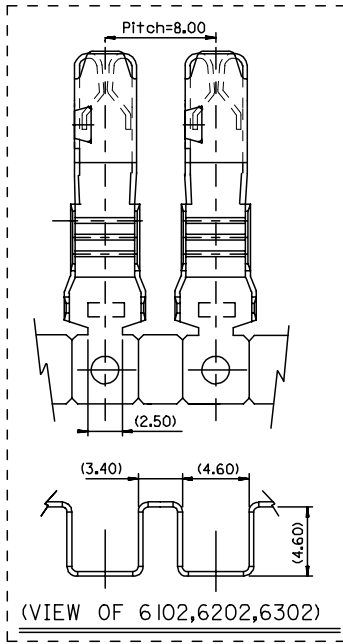
E

D

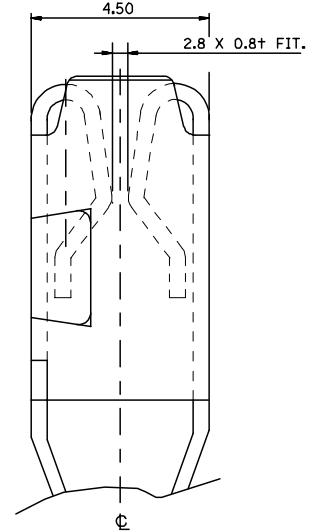
C

B

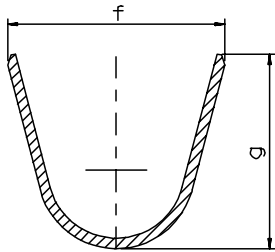
A



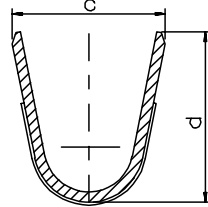
SECTION C-C'



DETAIL D



SECTION A-A'



SECTION B-B'

NOTES

1. MATERIAL: COPPER ALLOY.
2. FINISH: PRE-TIN PLATED.
3. RECOMMENDED LENGTH OF WIRE STRIP: 6.0-6.8.

ENG NO.	PITCH	c	d	f	g	WIRE SIZE
35413-6102	8.00	2.9	2.9	4.1	4.0	0.3-0.5sq
35413-6202		3.1	3.2	4.9	4.8	0.85-1.25sq
35413-6302		3.9	4.8	5.6	6.2	2.0-3.0sq
35413-6602	16.0	2.9	2.9	4.1	4.0	0.3-0.5sq
35413-6702		3.1	3.2	4.9	4.8	0.85-1.25sq
35413-6802		3.9	4.8	5.6	6.2	2.0-3.0sq

CHANGED DIMS
 EC NO.: KOR2005-0168
 DRWN: S.Y.PARK 05/2/21
 CHK: B.C.YOON 05/2/21
 APPR: C.W.LEE

REV	DESCRIPTION
C	

QUALITY SYMBOLS	GENERAL TOLERANCES: (UNLESS SPECIFIED)
MAJOR = 0	mm INCH
CRITICAL = 0	4 PLACES ±0. INCH
	3 PLACES ±0. INCH
	2 PLACES ±0.2 INCH
	1 PLACE ±0. INCH
	ANGULAR: ± 1.0 °

SCALE	DESIGN UNITS	TITLE:
4/1	<input checked="" type="checkbox"/> mm <input type="checkbox"/> INCH	MINI FUSE TERMINAL
DRAWN BY & DATE		MATERIAL NO. _____ DRAWING NO. SD-35413-001 SHEET NO. 1/1
B.K.CHOI 1996.12.07		
CHECKED BY & DATE		MATERIAL NO. _____ DRAWING NO. SD-35413-001 SHEET NO. 1/1
B.K.CHOI		
APPROVED BY & DATE		MATERIAL NO. _____ DRAWING NO. SD-35413-001 SHEET NO. 1/1
C.W.LEE		
CAD FILENAME		MATERIAL NO. _____ DRAWING NO. SD-35413-001 SHEET NO. 1/1
SD-35413-001.mi		

DIMENSIONS:		SHT	REV
<input type="checkbox"/> mm <input type="checkbox"/> INCH	<input checked="" type="checkbox"/> mm <input type="checkbox"/> ONLY		
THIRD ANGLE PROJECTION			
DRAWN BY & DATE			
B.K.CHOI 1996.12.07			
CHECKED BY & DATE			
B.K.CHOI			
APPROVED BY & DATE			
C.W.LEE			
CAD FILENAME			
SD-35413-001.mi			
THIS DRAWING CONTAINS INFORMATION THAT IS PROPRIETARY TO MOLEX INCORPORATED AND SHOULD NOT BE USED WITHOUT WRITTEN PERMISSION.			
			SIZE B

8

7

6

5

4

3

2

MX-A3