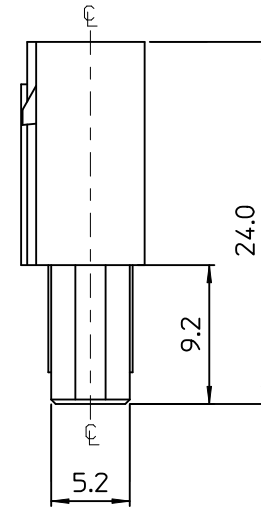
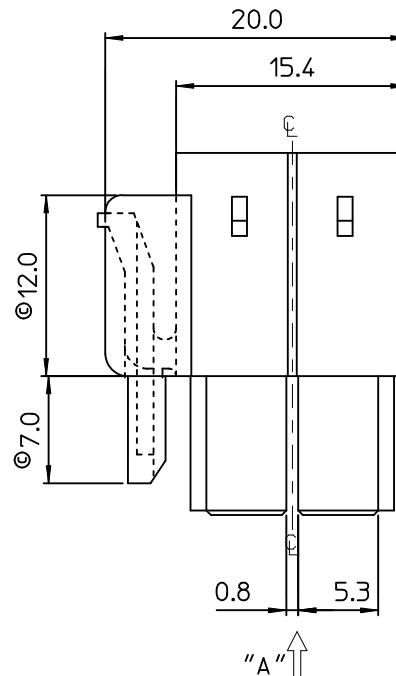
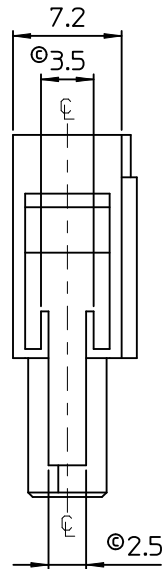


NOTES.

1. MATERIAL & COLOR : SEE TABLE
2. MATED HOUSING : 35180-040*
35180-060*
3. APPLICABLE TERMINAL : 35746-0*10
4. APPLICABLE T.P.A : 35965-029*
5. PRODUCT SPECIFICATION : PS-35180-002



PRE-RELEASE
 REFERENCE
 USE ONLY

NO.	POLYESTER(PBT)		PC/PET(UL94V-0)	
	MATERIAL	COLOR	MATERIAL	COLOR
1	35965-0200	NATURAL	35965-9200	NATURAL
2	35965-0202	RED	35965-9202	RED
3	35965-0203	BLUE	35965-9203	YELLOW
4	35965-0204	BLUE	35965-9204	BLUE

REVISED
 EC NO: 2010/01X3
 DRWN: JHPARK01
 CHKD: WY. YANG
 APPR:

QUALITY SYMBOLS
 ▼=0
 ▽=0
 DESCRIPTION
 REV

GENERAL TOLERANCES (UNLESS SPECIFIED)

	mm	INCH
4 PLACES	± ---	± ---
3 PLACES	± ---	± ---
2 PLACES	± ---	± ---
1 PLACE	± 0.3	± ---

 ANGULAR ± 1 °
 DRAFT WHERE APPLICABLE
 MUST REMAIN
 WITHIN DIMENSIONS

DIMENSION STYLE
 MM ONLY
 DRAWN BY JS. KANG
 DATE 1995/09/28
 CHECKED BY BK. CHOI
 DATE 1995/09/28
 APPROVED BY CW. LEE
 DATE 1995/09/28
 MATERIAL NO.
 SEE TABLE

SCALE 3:1
 DESIGN UNITS METRIC
 THIRD ANGLE PROJECTION
 TITLE 070 MULTI FEMALE HSG 2P(A)
 MOLEX INCORPORATED
 DOCUMENT NO. SD-35965-020*
 SHEET NO. 1 OF 01
 THIS DRAWING CONTAINS INFORMATION THAT IS PROPRIETARY TO MOLEX INCORPORATED AND SHOULD NOT BE USED WITHOUT WRITTEN PERMISSION