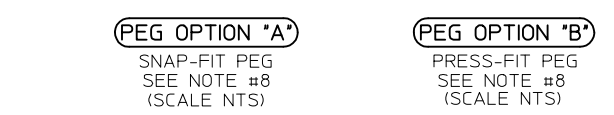
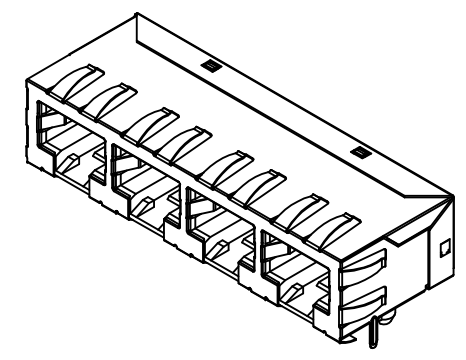
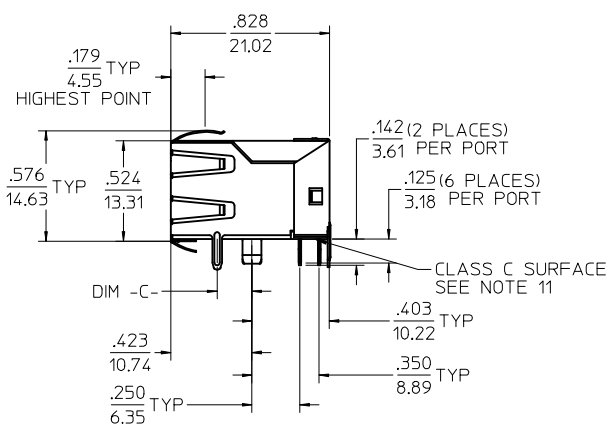
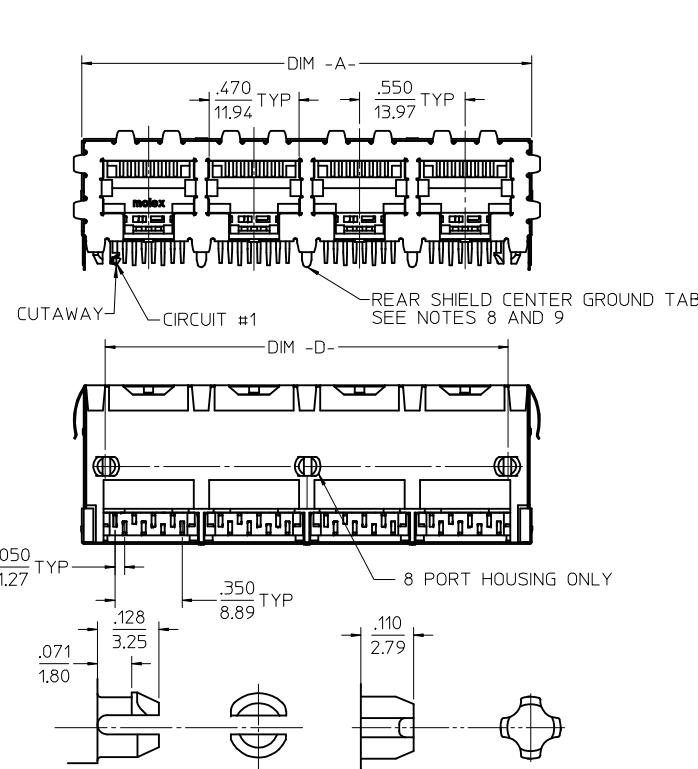


- NOTES:
- MATERIAL:  
HOUSING: NYLON, GLASS FILLED, UL94V-0, COLOR: BLACK  
TERMINALS: PHOSPHOR BRONZE
  - FINISH:  
TERMINALS:  
SELECT GOLD IN CONTACT AREA: 50 MICROINCHES / 1.27 MICROMETERS MIN.  
SELECT MATTE TIN IN PC TAIL AREA: 100 MICROINCHES / 2.54 MICROMETERS MIN.,  
WITH OVERALL NICKEL UNDERPLATE: 50 MICROINCHES / 1.27 MICROMETERS MIN.
  - PRODUCT SPECIFICATION: PS-44050-003.
  - PACKAGING SPECIFICATION:  
UNSHIELDED CONNECTOR ASSEMBLIES IN THERMOFORMED TRAYS PER MOLEX  
PACKAGING SPECIFICATION PK-44150-005.
  - MATES WITH: MODULAR PLUGS THAT CONFORM TO FCC REGULATION PART 68.5.
  - PC BOARD LAYOUTS AND PANEL CUT-OUT SHOWN ON PAGE (3) OF (3).
  - CONNECTOR AVAILABLE WITH EITHER PEG OPTION "A" (SNAP-FIT) OR PEG OPTION "B" (PRESS-FIT). THIS DRAWING SHOWS PEG OPTION "A".
  - TERMINAL LENGTHS MAY BE DIFFERENT FROM TERMINAL TO TERMINAL.
  - THIS PART CONFORMS TO CLASS B REQUIREMENTS OF COSMETIC SPECIFICATION PS-45499-002 WITH THE EXCEPTION OF THE SURFACE INDICATED WHICH IS A CLASS C SURFACE.

ASSEMBLY MATERIAL NUMBER	NUMBER OF PORTS	PEG OPTION	CENTER PEG	DIM -A-	DIM -D-
441500001	2	A	NO	1,200/30.48	1,000/25.40
441500017	2	B	NO	1,200/30.48	1,000/25.40
441500002	4	A	NO	2,300/58.42	2,100/53.34
441500018	4	B	NO	2,300/58.42	2,100/53.34
441500003	6	A	NO	3,400/86.36	3,200/81.28
441500019	6	B	NO	3,400/86.36	3,200/81.28
441500004	8	A	YES	4,500/114.30	4,300/109.22
441500020	8	B	YES	4,500/114.30	4,300/109.22

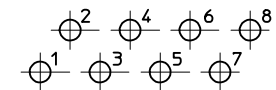
ADD 44150-0036 EC NO: UCP2013-2129 DRWN:BBEE 2013/01/09 CHKD:JBELL 2013/01/09 APPR:FSMITH 2013/01/11	DESCRIPTION REV D3	QUALITY SYMBOLS	GENERAL TOLERANCES (UNLESS SPECIFIED)	DIMENSION STYLE IN/MM	SCALE 2:1	DESIGN UNITS INCH	THIRD ANGLE PROJECTION
		$\nabla = 0$ $\nabla = 0$ $\nabla = 0$	mm INCH 4 PLACES ± --- ± --- 3 PLACES ± --- ± .010 2 PLACES ± 0.25 ± --- 1 PLACE ± --- ± --- ANGULAR ± 1/2°	DRAWN BY DATE MARANTO 98/01/21 CHECKED BY DATE ROBERTS 98/01/21 APPROVED BY DATE ROBERTS 98/01/21	MATERIAL NO. SEE CHART SIZE C	CATEGORY 5 MODULAR JACK ASSEMBLIES, GANGED MOLEX INCORPORATED SD-44150-002	SHEET NO. 1 OF 3
		DRAFT WHERE APPLICABLE MUST REMAIN WITHIN DIMENSIONS		THIS DRAWING CONTAINS INFORMATION THAT IS PROPRIETARY TO MOLEX INCORPORATED AND SHOULD NOT BE USED WITHOUT WRITTEN PERMISSION			



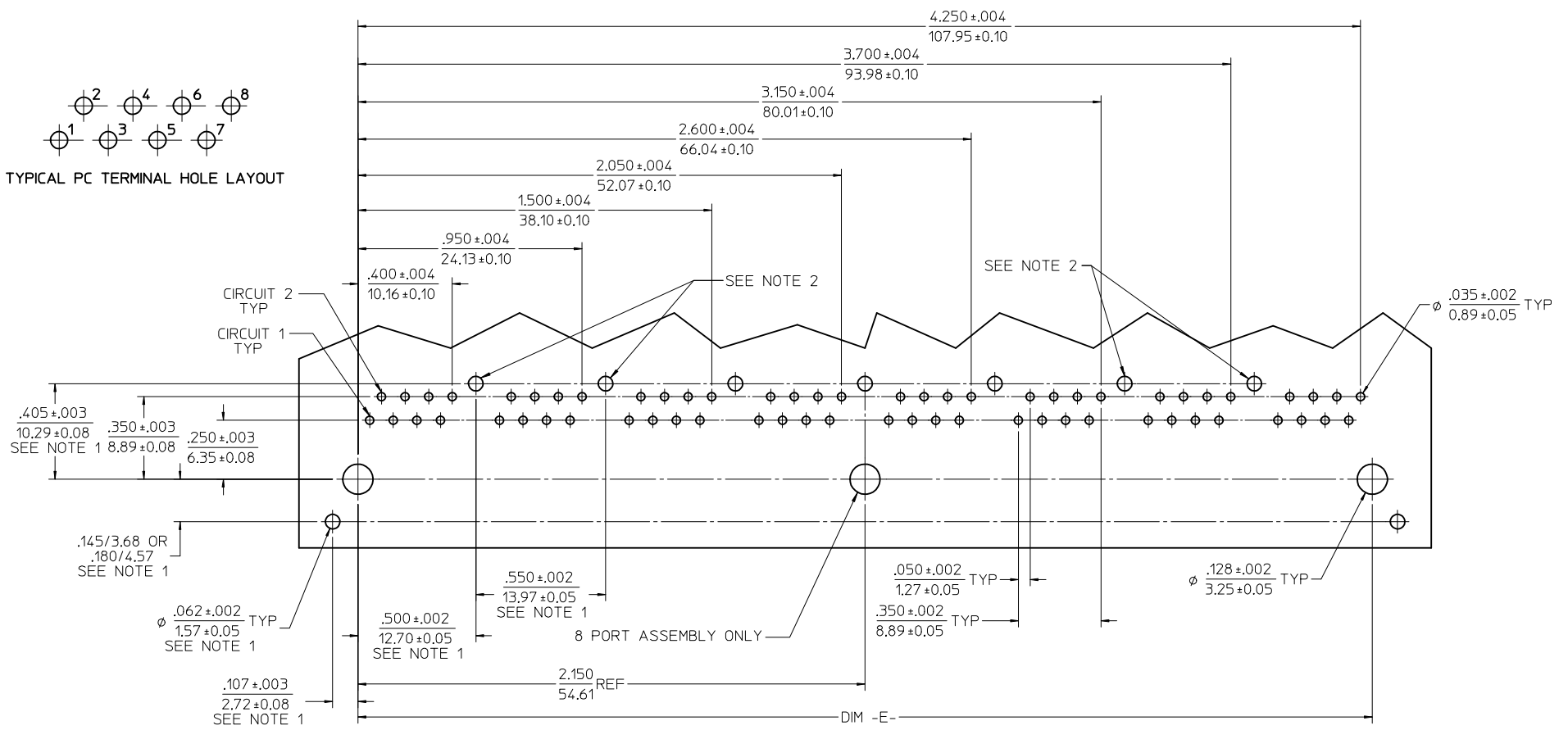
ASSEMBLY MATERIAL NUMBER	NUMBER OF PORTS	PEG OPTION	CENTER PEG	REAR SHIELD GROUND TABS	DIM -A-	DIM -C-	DIM -D-
441500005	2	A	NO	1	1.225/31.12	0.145/3.68	1.000/25.40
441500011	2	A	NO	1	1.225/31.12	0.180/4.57	1.000/25.40
441500036	2	A	NO	0	1.225/31.12	0.180/4.57	1.000/25.40
441500021	2	B	NO	1	1.225/31.12	0.145/3.68	1.000/25.40
441500027	2	B	NO	1	1.225/31.12	0.180/4.57	1.000/25.40
441500009	4	A	NO	1	2.325/59.05	0.145/3.68	2.100/53.34
441500015	4	A	NO	1	2.325/59.05	0.180/4.57	2.100/53.34
441500006	4	A	NO	3	2.325/59.05	0.145/3.68	2.100/53.34
441500012	4	A	NO	3	2.325/59.05	0.180/4.57	2.100/53.34
441500025	4	B	NO	1	2.325/59.05	0.145/3.68	2.100/53.34
441500031	4	B	NO	1	2.325/59.05	0.180/4.57	2.100/53.34
441500022	4	B	NO	3	2.325/59.05	0.145/3.68	2.100/53.34
441500028	4	B	NO	3	2.325/59.05	0.180/4.57	2.100/53.34
441500034	4	B	NO	3	2.325/59.05	N/A	2.100/53.34
441500007	6	A	NO	5	3.425/87.00	0.145/3.68	3.200/81.28
441500013	6	A	NO	5	3.425/87.00	0.180/4.57	3.200/81.28
441500023	6	B	NO	5	3.425/87.00	0.145/3.68	3.200/81.28
441500029	6	B	NO	5	3.425/87.00	0.180/4.57	3.200/81.28
441500010	8	A	YES	1	4.525/114.94	0.145/3.68	4.300/109.22
441500016	8	A	YES	1	4.525/114.94	0.180/4.57	4.300/109.22
441500033	8	A	YES	3	4.525/114.94	0.145/3.68	4.300/109.22
441500008	8	A	YES	7	4.525/114.94	0.145/3.68	4.300/109.22
441500014	8	A	YES	7	4.525/114.94	0.180/4.57	4.300/109.22
441500026	8	B	YES	1	4.525/114.94	0.145/3.68	4.300/109.22
441500032	8	B	YES	1	4.525/114.94	0.180/4.57	4.300/109.22
441500024	8	B	YES	7	4.525/114.94	0.145/3.68	4.300/109.22
441500030	8	B	YES	7	4.525/114.94	0.180/4.57	4.300/109.22

- NOTES:
- MATERIAL:  
HOUSING: NYLON, GLASS FILLED, UL94V-0, COLOR: BLACK  
TERMINALS: PHOSPHOR BRONZE  
SHIELD: BRASS
  - FINISH:  
TERMINALS:  
SELECT GOLD IN CONTACT AREA: 50 MICROINCHES / 1.27 MICROMETERS MIN.,  
SELECT MATTE TIN IN PC TAIL AREA: 100 MICROINCHES / 2.54 MICROMETERS MIN.,  
WITH OVERALL NICKEL UNDERPLATE: 50 MICROINCHES / 1.27 MICROMETERS MIN.  
SHIELD:  
100 MICROINCHES / 2.54 MICROMETERS NICKEL OVER 50 MICROINCHES / 1.27 MICROMETERS COPPER UNDERPLATE, PCB GROUND TABS DIPPED IN TIN
  - PRODUCT SPECIFICATION: PS-44050-003.
  - PACKAGING SPECIFICATION:  
SHIELDED CONNECTOR ASSEMBLIES IN THERMOFORMED TRAYS PER MOLEX PACKAGING SPECIFICATION PK-44150-004.
  - MATES WITH: MODULAR PLUGS THAT CONFORM TO FCC REGULATION PART 68.5.
  - PC BOARD LAYOUTS AND PANEL CUT-OUT SHOWN ON PAGE (3) OF (3).
  - CONNECTOR AVAILABLE WITH EITHER PEG OPTION "A" (SNAP-FIT) OR PEG OPTION "B" (PRESS-FIT). THIS DRAWING SHOWS PEG OPTION "A".
  - (4) PORT AND (8) PORT MODJACKS AVAILABLE WITH A SINGLE GROUND TAB ON REAR OF SHIELD, LOCATED IN THE CENTER. PER THE ASSEMBLY MATERIAL NUMBER TABLE.
  - (8) PORT VERSION AVAILABLE WITH (3) GROUND TABS ON REAR OF SHIELD, CENTERED ON THE PART, PER THE ASSEMBLY MATERIAL NUMBER TABLE.
  - TERMINAL LENGTHS MAY BE DIFFERENT FROM TERMINAL TO TERMINAL.
  - THIS PART CONFORMS TO CLASS B REQUIREMENTS OF COSMETIC SPECIFICATION PS-45499-002 WITH THE EXCEPTION OF THE SURFACE INDICATED WHICH IS A CLASS C SURFACE.

SEE SHEET 1 EC NO: UCP2013-2129 DR:WINBEE 2013/01/09 CHKD:JBELL 2013/01/09 APPR:FSMITH 2013/01/11 D3	QUALITY SYMBOLS ∇=0 ∇=0 ∇=0	GENERAL TOLERANCES (UNLESS SPECIFIED)		DIMENSION STYLE IN/MM		SCALE 2:1		DESIGN UNITS INCH		THIRD ANGLE PROJECTION	
		mm INCH		DRAWN BY DATE MARANTO 98/01/21		CHECKED BY DATE ROBERTS 98/01/21		CATEGORY 5 MODULAR JACK ASSEMBLIES, GANGED			
		4 PLACES ± --- ± --- 3 PLACES ± --- ± .010 2 PLACES ± .025 ± --- 1 PLACE ± --- ± ---		APPROVED BY DATE ROBERTS 98/01/21		MATERIAL NO. SEE CHART		DOCUMENT NO. SD-44150-002		SHEET NO. 2 OF 3	
		ANGULAR ±1/2°		DRAFT WHERE APPLICABLE MUST REMAIN WITHIN DIMENSIONS		THIS DRAWING CONTAINS INFORMATION THAT IS PROPRIETARY TO MOLEX INCORPORATED AND SHOULD NOT BE USED WITHOUT WRITTEN PERMISSION					



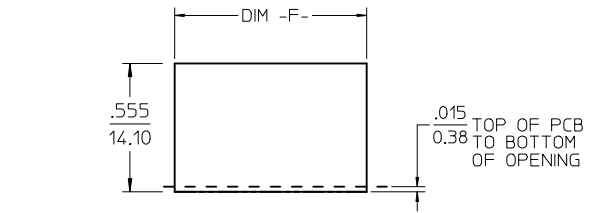
TYPICAL PC TERMINAL HOLE LAYOUT



PCB LAYOUT : COMPONENT SIDE  
RECOMMENDED PCB THICKNESS : .062/1.57

- NOTES:
- DIMENSIONS REFER TO SHIELDED ASSEMBLIES ONLY
  - SHIELD PCB GROUND TAB HOLES SPECIFIED NOT PRESENT FOR 441500033 USAGE

NUMBER OF PORTS	DIM -E-	DIM -F-
2	1.000/25.40	1.255/31.88
4	2.100/53.34	2.355/59.82
6	3.200/81.28	3.455/87.86
8	4.300/109.22	4.555/115.70



SUGGESTED PANEL OPENING  
SHIELDED VERSIONS

<b>SEE SHEET 1</b> EC NO: UCP2013-2129 DRW:BBEE 2013/01/09 CHKD:JBELL 2013/01/09 APPR:FSM/TH 2013/01/11	QUALITY SYMBOLS 	GENERAL TOLERANCES (UNLESS SPECIFIED)		DIMENSION STYLE <b>IN/MM</b>		SCALE	DESIGN UNITS INCH	THIRD ANGLE PROJECTION			
		4 PLACES ± --- ± --- 3 PLACES ± --- ± .010 2 PLACES ± 0.25 ± --- 1 PLACE ± --- ± ---		DRAWN BY MARANTO 98/01/21		DATE 98/01/21		TITLE <b>CATEGORY 5 MODULAR JACK ASSEMBLIES, GANGED</b>			
		ANGULAR ±1/2°		CHECKED BY ROBERTS 98/01/21		DATE 98/01/21		APPROVED BY ROBERTS 98/01/21			
		DRAFT WHERE APPLICABLE MUST REMAIN WITHIN DIMENSIONS		MATERIAL NO. <b>SEE CHART</b>		DATE 98/01/21		DOCUMENT NO. <b>SD-44150-002</b>		SHEET NO. <b>3 OF 3</b>	

THIS DRAWING CONTAINS INFORMATION THAT IS PROPRIETARY TO MOLEX INCORPORATED AND SHOULD NOT BE USED WITHOUT WRITTEN PERMISSION