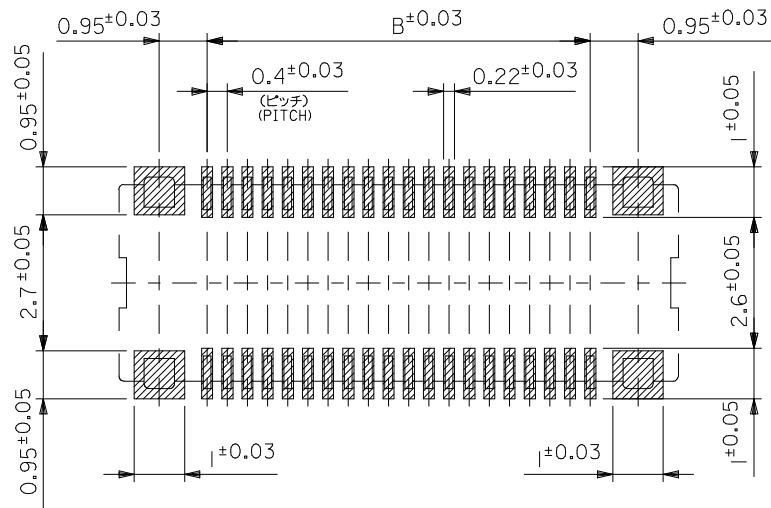


注記 NOTES

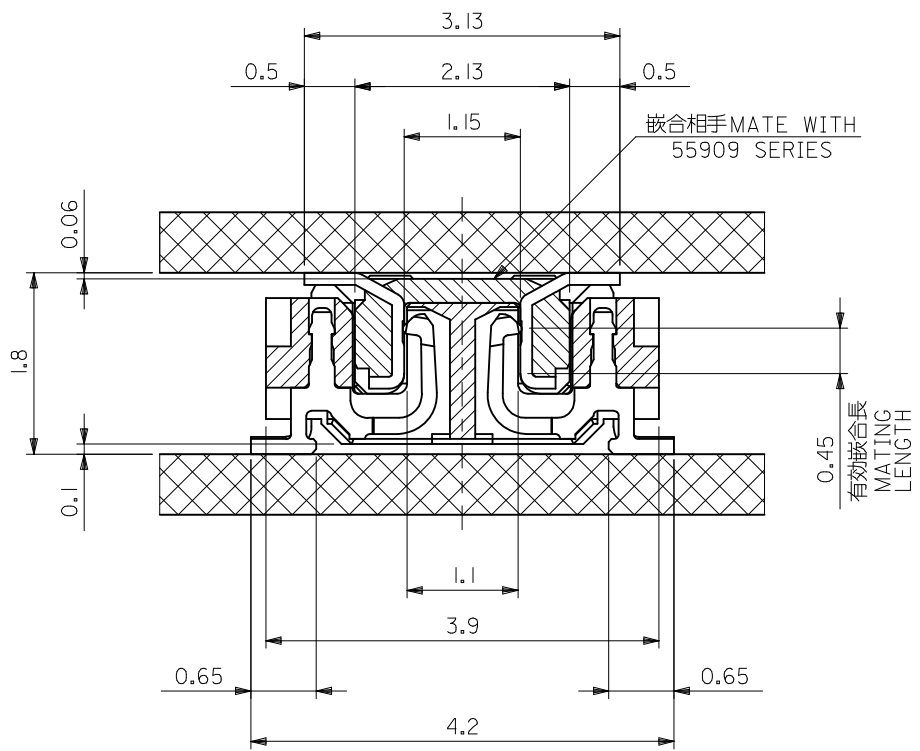
1. 使用材料 MATERIAL
 ハウジング : 液晶ポリマー (LCP) UL94V-0 (黒)
 HOUSING: LIQUID CRYSTAL POLYMER UL94V-0 (COLOR:BLACK)
 ターミナル : リン青銅
 TERMINAL : PHOSPHOR BRONZE
 補強金具 : リン青銅
 FITTING NAIL : PHOSPHOR BRONZE
2. メッキ仕様 PLATING
 ターミナル TERMINAL
 コンタクト部 : 部分金めっき (0.2 μm以上)
 CONTACT AREA : SEPARATED GOLD PLATING (0.2 MICROMETER MINIMUM)
 テール部 : 部分金めっき
 SOLDER TAIL AREA : SEPARATED GOLD PLATING
 下地 : ニッケルめっき (1.5 μm以上)
 UNDERPLATE : NICKEL OVERALL (1.5 MICROMETER MINIMUM)
 ※コンタクト部とテール部はニッケルメッキによって分断されている金メッキです。
 DIVIDE INTO PARTS THE GOLD PLATING OF THE CONTACT AND THE TAIL PART BY THE NICKEL PLATING.
 補強金具 FITTING NAIL
 テール部 : 錫メッキ (1.0 μm以上)
 SOLDER TAIL AREA : TIN PLATING (1.0 MICROMETER MINIMUM)
 下地 : ニッケルめっき (1.0 μm以上)
 UNDERPLATE : NICKEL OVERALL (1.0 MICROMETER MINIMUM)
- △ (金極数/2) = 偶数の場合に適用。
 APPLY FOR (CIRCUIT/2) = EVEN.
4. 嵌合相手 : 55909 シリーズ
 MATE WITH : 55909 SERIES.
5. テール及び金具の平坦度は、0.1以下
 TAIL AND FITTING NAIL COPLANARITY TO BE 0.1 MAXIMUM.
6. ELV & RoSH適合品
 ELV and RoSH COMPLIANT

| | | | | |
|------------------------------------|------|------|-----------------------|---------|
| 21.5 | 19.6 | 23.1 | 500913-1002 | 100 |
| 19.5 | 17.6 | 21.1 | 500913-0902 | 90 |
| 15.5 | 13.6 | 17.1 | 500913-0702 | 70 |
| 13.5 | 11.6 | 15.1 | 500913-0602 | 60 |
| 11.5 | 9.6 | 13.1 | 500913-0502 | 50 |
| 9.5 | 7.6 | 11.1 | 500913-0402 | 40 |
| 7.5 | 5.6 | 9.1 | 500913-0302 | 30 |
| 6.3 | 4.4 | 7.9 | 500913-0242 | 24 |
| C | B | A | EMBOSSED TAPE PACKAGE | 極数 |
| | | | | CIRCUIT |
| CONNECTOR SERIES No. : 500913-***8 | | | | |
| | | | オーダー番号 ORDER NO. | |

| | | | | | | | |
|---|---------------------------------------|--|----------------------------|-------------------------------|---|------------------------|------------------------|
| REVISED EC NO: J2015-0494 DRWN: NAITO 2014/10/10 CHKD: TASAKAWA 2014/10/10 APPR: KMORIKAWA 2014/10/10 | GENERAL TOLERANCES (UNLESS SPECIFIED) | | DIMENSION STYLE MM ONLY | | SCALE 10:1 | DESIGN UNITS METRIC | THIRD ANGLE PROJECTION |
| | 10 UNDER | ±--- | DRAWN BY R. SUMIYA | DATE 2004/04/19 | TITLE 0.4 B-TO-B CONN REC HSG ASSY (HGT=1.8MM) -LEAD FREE- | | |
| | 10 OVER 30 UNDER | ±--- | CHECKED BY M. SASAO | DATE 2004/04/19 | | | |
| | 30 OVER | ±--- | APPROVED BY M. SASAO | DATE 2004/04/19 | | | |
| ANGULAR | ±---° | MATERIAL NO. SEE CHART | | DOCUMENT NO. SD-500913-001 | | SHEET NO. 1 OF 2 | |
| DRAFT WHERE APPLICABLE MUST REMAIN WITHIN DIMENSIONS | | THIS DRAWING CONTAINS INFORMATION THAT IS PROPRIETARY TO MOLEX INCORPORATED AND SHOULD NOT BE USED WITHOUT WRITTEN PERMISSION | | | | | |

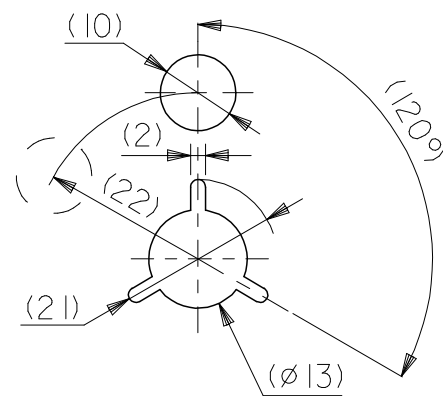
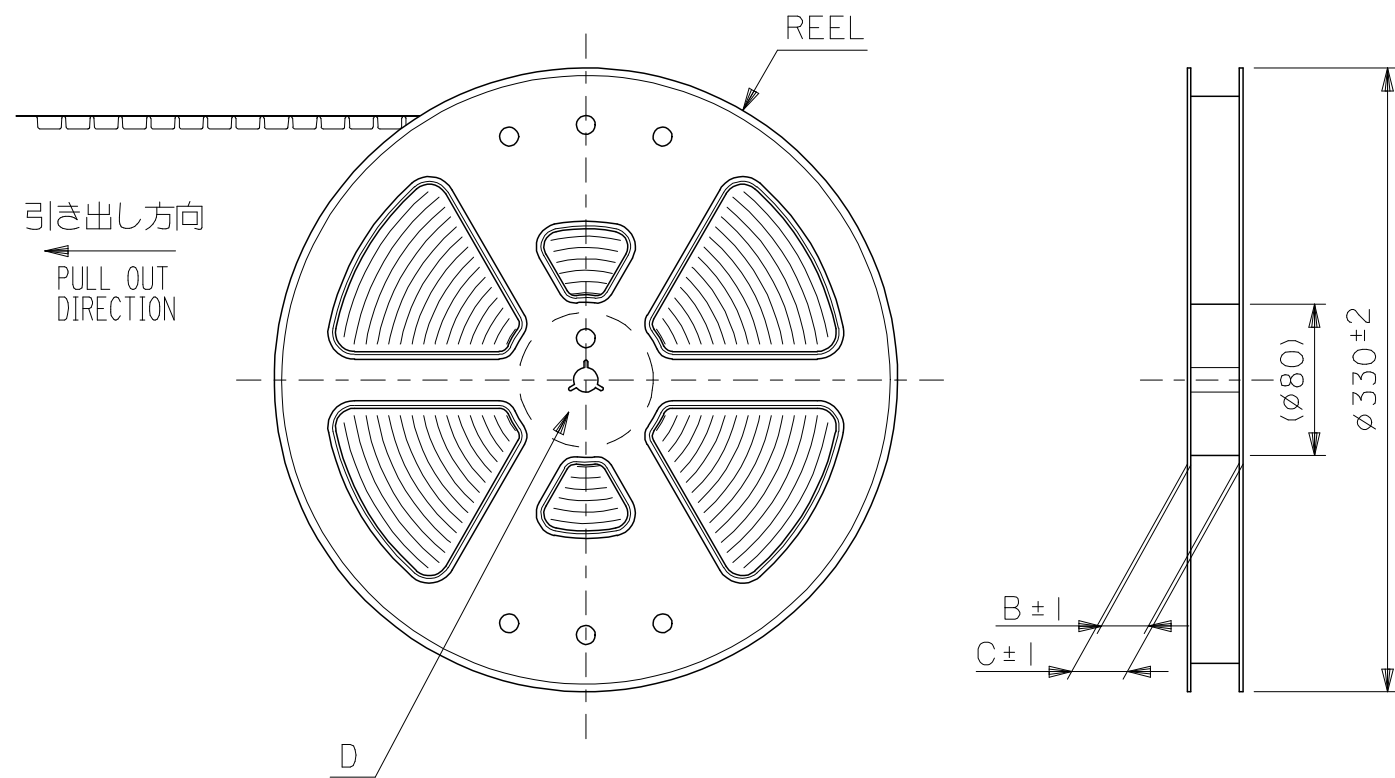


参考基板レイアウト (マウント面)
P.C.BOARD PATTERN DIMENSION. (REFERENCE)
(MOUNTING AREA)



嵌合断面図 (参考)
MATED DRAWING (REFERENCE)

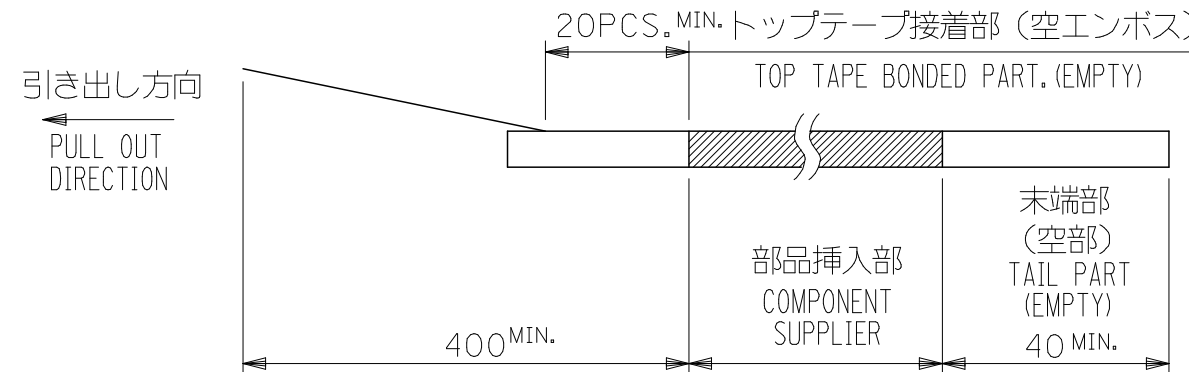
| | | | | | | | | | | |
|--|--------------------|---|-------|-------------------------------|--------------------|---|------------------------|------------------------|--|--|
| REVISED EC NO: J2015-0494 DRWN:NAITO 2014/10/10 CHKD:TASAKAWA 2014/10/10 APPR:KMORIKAWA 2014/10/10 | DESCRIPTION REV | GENERAL TOLERANCES (UNLESS SPECIFIED) | | DIMENSION STYLE MM ONLY | | SCALE --- | DESIGN UNITS METRIC | THIRD ANGLE PROJECTION | | |
| | | 10 UNDER | ± --- | DRAWN BY R. SUMIYA | DATE 2004/04/19 | TITLE 0.4 B-TO-B CONN REC HSG ASSY (HGT=1.8MM) -LEAD FREE- | | | | |
| | | 10 OVER 30 UNDER | ± --- | CHECKED BY M. SASAO | DATE 2004/04/19 | | | | | |
| | | 30 OVER | ± --- | APPROVED BY M. SASAO | DATE 2004/04/19 | | | | | |
| ANGULAR ± --- ° DRAFT WHERE APPLICABLE MUST REMAIN WITHIN DIMENSIONS | | MATERIAL NO. SEE SHEET 1 | | DOCUMENT NO. SD-500913-001 | | SHEET NO. 2 OF 2 | | | | |
| | | SIZE A3 THIS DRAWING CONTAINS INFORMATION THAT IS PROPRIETARY TO MOLEX INCORPORATED AND SHOULD NOT BE USED WITHOUT WRITTEN PERMISSION | | | | | | | | |



DETAIL D

NOTES

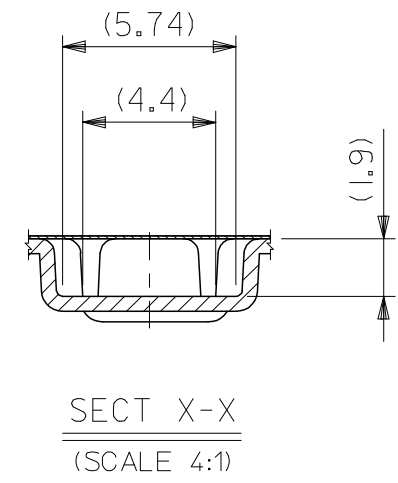
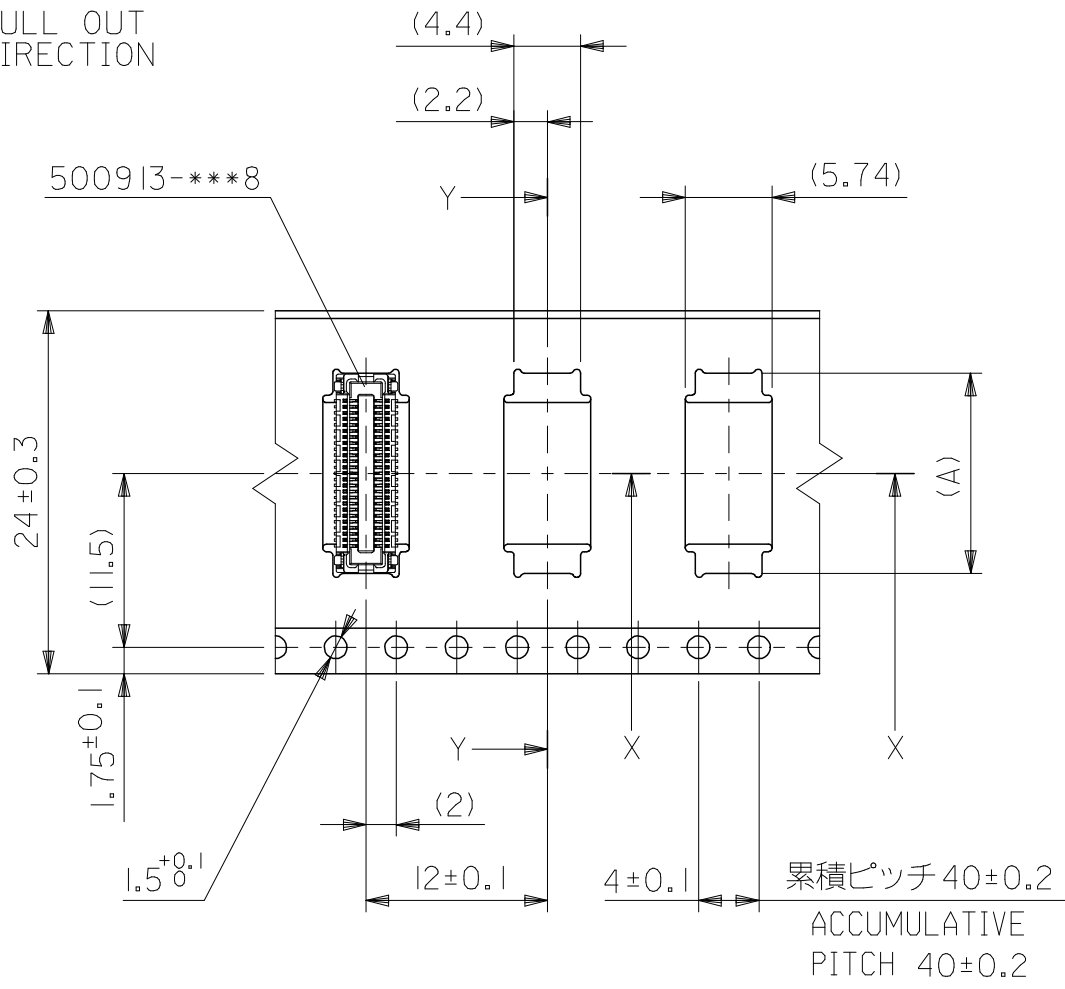
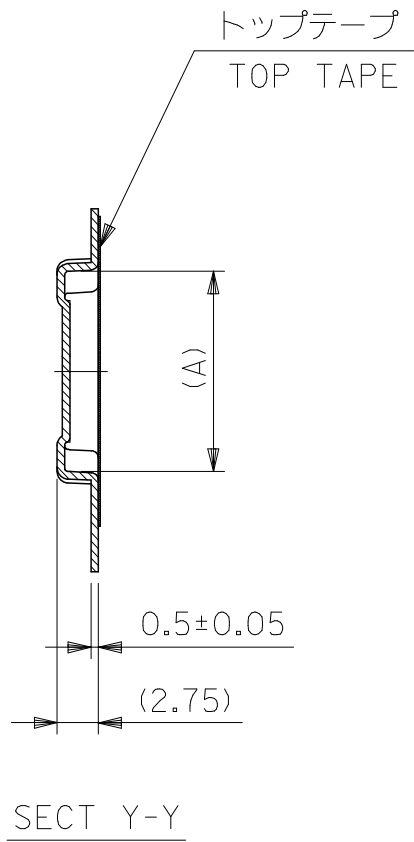
- 1. 製品詳細寸法については製品単体図面SD-500913-001を参照下さい。
RE DETAILED DIMENSION, SEE PRODUCT DRAWING NO. SD-500913-001.
- 2. 梱包数量：1500個/リール
NUMBER OF CONNECTORS : 1500PCS/REEL
- 3. リードテープ長さ LEAD TAPE LENGTH



- 4. 材料 MATERIAL
 キャリアテープ (CARRIER TAPE) : ポリプロピレン (POLYPROPYLENE)
 トップテープ (TOPTAPE) : PET , PE , PEF
 リール (REEL) : ポリスチレン (PS) <リサイクル材を含む>
 POLYSTYRENE (PS) <RECYCLE MATERIAL CONTAINED>

| | | | | | | | | | | |
|--|-------------|---|--|---|--|---|--|------------------------|--|--|
| REVISED EC NO: J2007-1419 DRWN: MNABEI 2006/11/16 CHKD: KTOYODA 2006/11/20 APPR: NUKITA 2006/11/21 | DESCRIPTION | GENERAL TOLERANCES (UNLESS SPECIFIED) | | DIMENSION STYLE MM ONLY | | 500913-***2 | | MODEL NO. | | |
| | | 10 UNDER ± --- | | DRAWN BY DATE R. SUMIYA 2004/04/19 | | SCALE DESIGN UNITS --- METRIC | | THIRD ANGLE PROJECTION | | |
| | | 10 OVER 30 UNDER ± --- | | CHECKED BY DATE M. SASAO 2004/04/19 | | TITLE 0.4 B-TO-B REC HSG ASSY (HGT=1.8) EMBSTP PKG -LEAD FREE- | | | | |
| | | 30 OVER ± --- | | APPROVED BY DATE M. SASAO 2004/04/19 | | | | | | |
| | | ANGULAR ± --- ° | | MATERIAL NO. | | DOCUMENT NO. | | SHEET NO. | | |
| | | DRAFT WHERE APPLICABLE MUST REMAIN WITHIN DIMENSIONS | | SEE CHART | | SD-500913-002 | | 1 OF 4 | | |
| REV | SIZE A3 | THIS DRAWING CONTAINS INFORMATION THAT IS PROPRIETARY TO MOLEX INCORPORATED AND SHOULD NOT BE USED WITHOUT WRITTEN PERMISSION | | | | | | | | |

引き出し方向
PULL OUT
DIRECTION

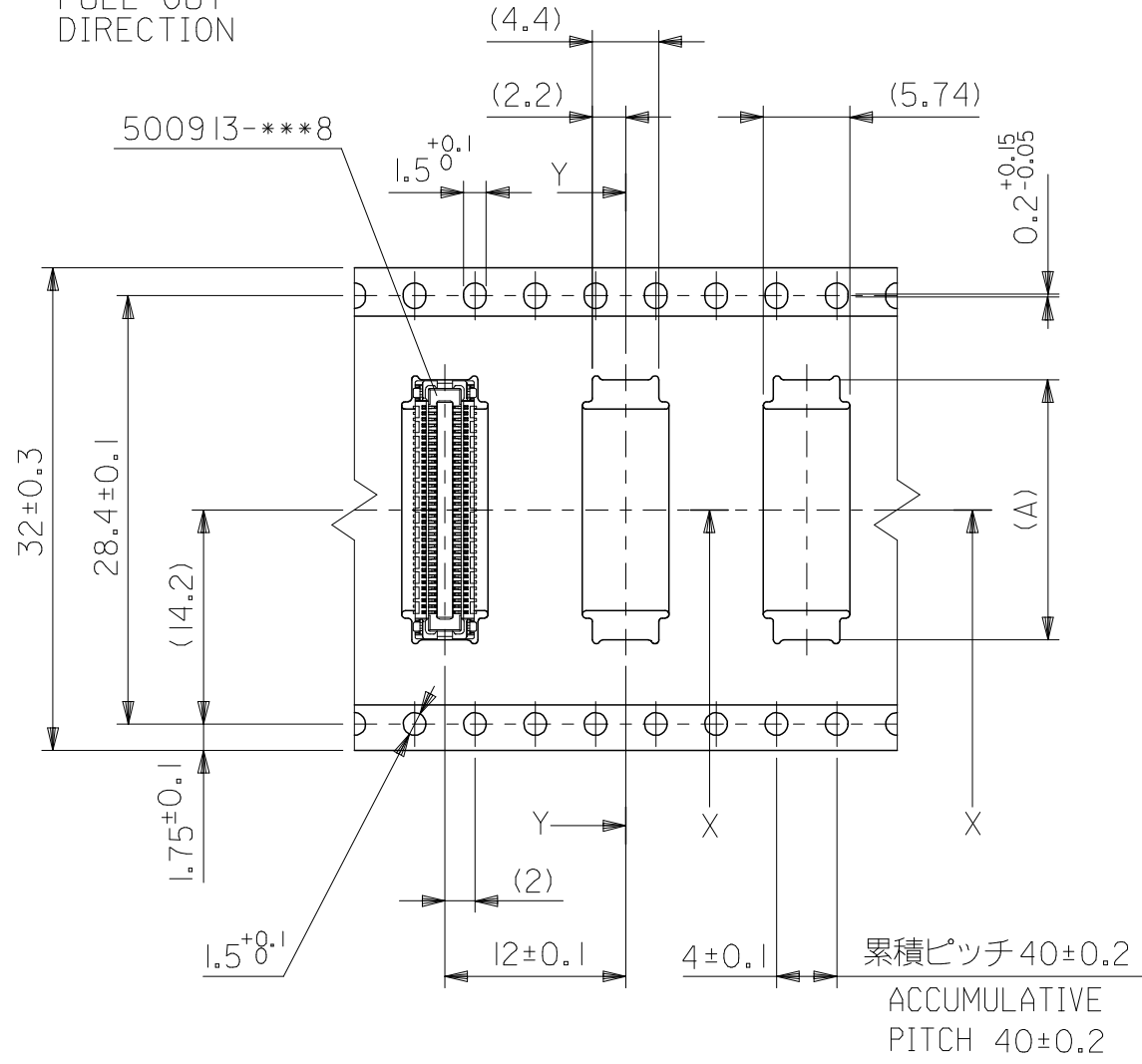
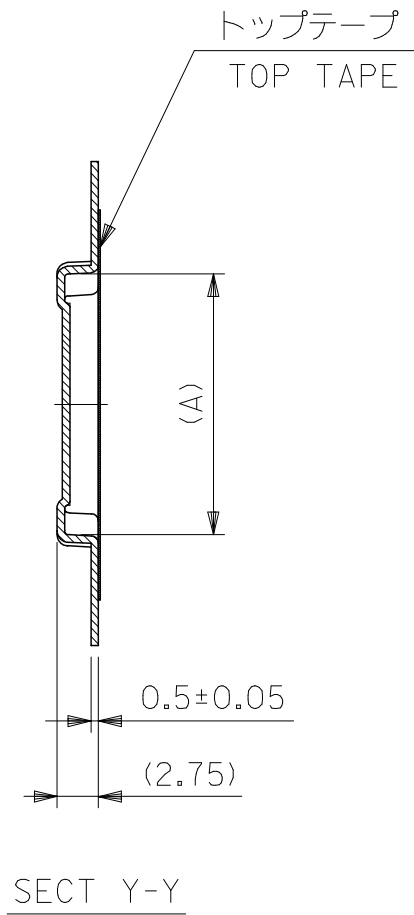


24mm幅キャリアテープ
24mm WIDTH CARRIER TAPE

| | | | | | |
|--------------------------------|------|------|-------|--------------|---------|
| 24 | 29.4 | 25.4 | 15.26 | 500913-0602 | 60 |
| | | | 13.26 | 500913-0502 | 50 |
| | | | 11.26 | 500913-0402 | 40 |
| | | | 9.26 | 500913-0302 | 30 |
| | | | 8.06 | 500913-0242 | 24 |
| キャリアテープ幅 CARRIER TAPE WIDTH | C | B | (A) | MATERIAL NO. | CIRCUIT |

| | | | | | | | | | |
|---|--|---------------------------------------|---|----------------------------|--------------------|---|------------------------|------------------------|--|
| REVISED EC NO: J2007-1419 DRWN: MNABEI CHKD: KTOYODA APPR: NUKITA | DESCRIPTION | GENERAL TOLERANCES (UNLESS SPECIFIED) | | DIMENSION STYLE MM ONLY | | 500913-****2 | | MODEL NO. | |
| | | 10 UNDER | ±--- | DRAWN BY R. SUMIYA | DATE 2004/04/19 | SCALE 2:1 | DESIGN UNITS METRIC | THIRD ANGLE PROJECTION | |
| | | 10 OVER 30 UNDER | ±--- | CHECKED BY M. SASAO | DATE 2004/04/19 | TITLE 0.4 B-TO-B REC HSG ASSY (HGT=1.8) EMBSTP PKG -LEAD FREE- | | | |
| | | 30 OVER | ±--- | APPROVED BY M. SASAO | DATE 2004/04/19 | MOLEX INCORPORATED | | | |
| | | ANGULAR | ±--- ° | MATERIAL NO. | SEE CHART | DOCUMENT NO. SD-500913-002 | SHEET NO. 2 OF 4 | | |
| | DRAFT WHERE APPLICABLE MUST REMAIN WITHIN DIMENSIONS | SIZE A3 | THIS DRAWING CONTAINS INFORMATION THAT IS PROPRIETARY TO MOLEX INCORPORATED AND SHOULD NOT BE USED WITHOUT WRITTEN PERMISSION | | | | | | |

引き出し方向
PULL OUT
DIRECTION

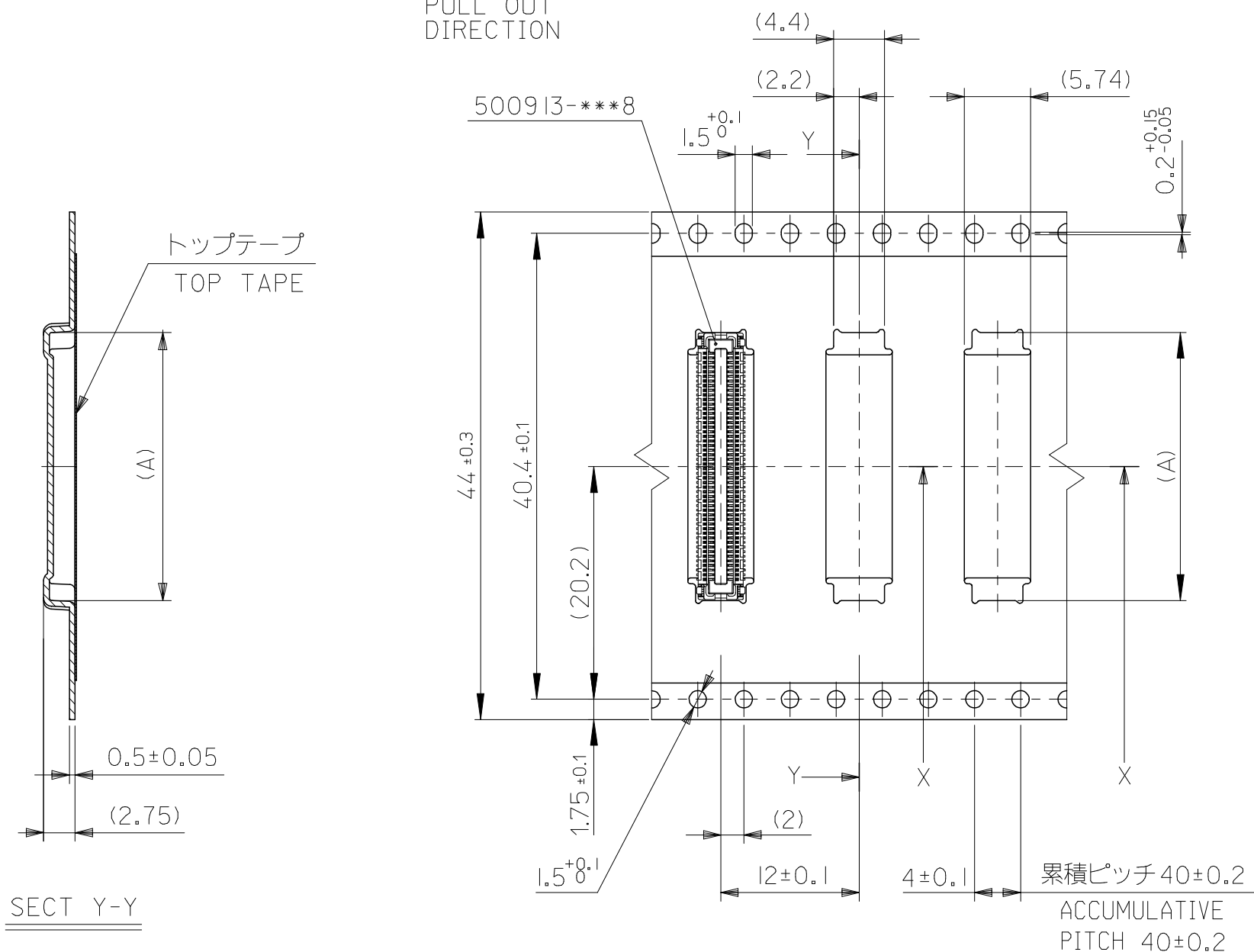


32mm幅キャリアテープ
32mm WIDTH CARRIER TAPE

| | | | | | |
|--------------------------------|------|------|-------|--------------|---------|
| 32 | 41.4 | 37.4 | 21.26 | 500913-0902 | 90 |
| | 37.4 | 33.4 | 17.26 | 500913-0702 | 70 |
| キャリアテープ幅 CARRIER TAPE WIDTH | C | B | (A) | MATERIAL NO. | CIRCUIT |

| | | | | | |
|--|--|---|---|---------------------|------------------------|
| REVISED EC NO: J2007-1419 DRWN: MNABEI 2006/11/16 CHKD: KTOYODA 2006/11/20 APPR: NUKITA 2006/11/21 | GENERAL TOLERANCES (UNLESS SPECIFIED) | DIMENSION STYLE MM ONLY | 500913-***2 | | MODEL NO. |
| | 10 UNDER ±--- | DRAWN BY R. SUMIYA DATE 2004/04/19 | SCALE 2:1 | DESIGN UNITS METRIC | THIRD ANGLE PROJECTION |
| | 10 OVER 30 UNDER ±--- | CHECKED BY M. SASAO DATE 2004/04/19 | TITLE 0.4 B-TO-B REC HSG ASSY (HGT=1.8) EMBSTP PKG -LEAD FREE- | | |
| | 30 OVER ±--- | APPROVED BY M. SASAO DATE 2004/04/19 | MOLEX MOLEX INCORPORATED | | |
| | ANGULAR ±--- ° | MATERIAL NO. SEE CHART | DOCUMENT NO. SD-500913-002 | SHEET NO. 3 OF 4 | |
| DRAFT WHERE APPLICABLE MUST REMAIN WITHIN DIMENSIONS | SIZE A3 | THIS DRAWING CONTAINS INFORMATION THAT IS PROPRIETARY TO MOLEX INCORPORATED AND SHOULD NOT BE USED WITHOUT WRITTEN PERMISSION | | | |

引き出し方向
PULL OUT
DIRECTION



44 mm幅キャリアテープ
44 mm WIDTH CARRIER TAPE

| | | | | | |
|--------------------------------|------|------|-------|--------------|---------|
| 44 | 49.4 | 45.4 | 23.26 | 500913-1002 | 100 |
| キャリアテープ幅 CARRIER TAPE WIDTH | C | B | (A) | MATERIAL NO. | CIRCUIT |

| | | | | | | | | | | | |
|---|---|-----------------------------|------|---------------------------|--------------------|--|--|-------------------------------|--|---------------------------|--|
| REVISED EC NO: J2007-1419 DRWN: MNABEI 2006/11/16 CH'KD: KTOYD0A 2006/11/20 APPR: NUKITA 2006/11/21 | DESCRIPTION GENERAL TOLERANCES (UNLESS SPECIFIED) | DIMENSION STYLE MM ONLY | | SCALE 2:1 | | DESIGN UNITS METRIC | | MODEL NO. 500913-***2 | | THIRD ANGLE PROJECTION | |
| | | 10 UNDER | ±--- | DRAWN BY Y. SAKIYA | DATE 2004/07/30 | TITLE 0.4 B-TO-B REC HSG ASSY (HGT=1.8) EMBSTP PKG -LEAD FREE- | | | | | |
| | | 10 ^{OVER} 30 UNDER | ±--- | CHECKED BY M. SASAO | DATE 2004/07/30 | | | | | | |
| | | 30 ^{OVER} | ±--- | APPROVED BY M. SASAO | DATE 2004/07/30 | MOLEX INCORPORATED | | DOCUMENT NO. SD-500913-002 | | SHEET NO. 4 OF 4 | |
| | | ANGULAR ±--- ° | | MATERIAL NO. SEE CHART | | THIS DRAWING CONTAINS INFORMATION THAT IS PROPRIETARY TO MOLEX INCORPORATED AND SHOULD NOT BE USED WITHOUT WRITTEN PERMISSION | | | | | |
| DRAFT WHERE APPLICABLE MUST REMAIN WITHIN DIMENSIONS | | SIZE A3 | | | | | | | | | |