

**PLEASE CHECK WWW.MOLEX.COM FOR LATEST PART INFORMATION**

**Part Number:** [5015680507](#)  
**Status:** **Active**  
**Overview:** Pico-Clasp™ Wire-to-Board Connectors  
**Description:** 1.00mm Pitch Pico-Clasp™ Wire-to-Board Header, Surface Mount, Single Row, Right Angle, with Friction Lock, 5 Circuits

**Documents:**

[3D Model](#) [Packaging Specification SPK-501568-001 \(PDF\)](#)  
[Drawing \(PDF\)](#) [RoHS Certificate of Compliance \(PDF\)](#)  
[Product Specification PS-501568-001 \(PDF\)](#)

**Agency Certification**

UL E29179

**General**

Product Family PCB Headers  
Series 501568  
Application Signal, Wire-to-Board  
Overview [Pico-Clasp™ Wire-to-Board Connectors](#)  
Product Name Pico-Clasp™  
UPC 822348871810

**Physical**

Breakaway No  
Circuits (Loaded) 5  
Circuits (maximum) 5  
Color - Resin Natural  
Durability (mating cycles max) 30  
Glow-Wire Compliant No  
Lock to Mating Part Yes  
Material - Metal Brass, Phosphor Bronze  
Material - Plating Mating Tin  
Material - Plating Termination Tin  
Material - Resin Nylon  
Net Weight 124.800/mg  
Number of Rows 1  
Orientation Right Angle  
PCB Locator No  
PCB Retention Yes  
Packaging Type Embossed Tape on Reel  
Pitch - Mating Interface 1.00mm  
Polarized to Mating Part Yes  
Polarized to PCB No  
Stackable No  
Temperature Range - Operating -40°C to +105°C  
Termination Interface: Style Surface Mount

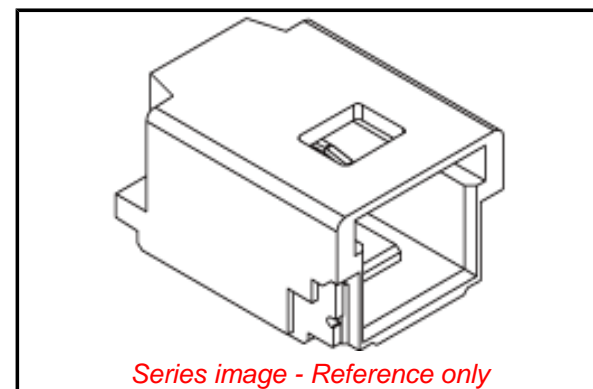
**Electrical**

Current - Maximum per Contact 1.0A  
Voltage - Maximum 50V AC (RMS)/DC

**Material Info**

**Reference - Drawing Numbers**

Packaging Specification SPK-501568-001  
Product Specification PS-501568-001, RPS-501331-001, RPS-501568-001, RPS-501568-003, RPS-501568-004, RPS-501568-005,



**EU ELV**

**Not Relevant**

**EU RoHS**

**Compliant**

**REACH SVHC**

Contains SVHC(2015 June 15): No

**Halogen-Free**

**Status**

**Not Low-Halogen**

**Need more information on product environmental compliance?**

Email [productcompliance@molex.com](mailto:productcompliance@molex.com)  
Please visit the [Contact Us](#) section for any non-product compliance questions.

China ROHS

ELV

Green Image

Not Relevant

**Search Parts in this Series**

[501568](#) Series

**Mates With**

[501330](#) Pico-Clasp™ Wire-to-Board Female Housing

Sales Drawing

RPS-501568-009, RPS-501568-010, RPS-501568-011,  
RPS-501568-012  
SD-501568-001, SD-501568-005

This document was generated on 10/09/2015

**PLEASE CHECK [WWW.MOLEX.COM](http://WWW.MOLEX.COM) FOR LATEST PART INFORMATION**