

**PLEASE CHECK WWW.MOLEX.COM FOR LATEST PART INFORMATION**

**Part Number:** [501876-1640](#)  
**Status:** **Active**  
**Overview:** iGrid™  
**Description:** 2.00mm Pitch iGrid™ Wire-to-Board Header, Dual Row, Right Angle, 16 Circuits

**Documents:**

[3D Model](#) [Product Specification PS-501646-001 \(PDF\)](#)  
[Drawing \(PDF\)](#) [RoHS Certificate of Compliance \(PDF\)](#)

**General**

Product Family	PCB Headers
Series	<a href="#">501876</a>
Application	Signal, Wire-to-Board
MolexKits	Yes
Overview	<a href="#">iGrid™</a>
Product Name	iGrid™

**Physical**

Breakaway	No
Circuits (Loaded)	16
Color - Resin	Natural
Durability (mating cycles max)	30
Glow-Wire Compliant	No
Keying to Mating Part	Yes
Lock to Mating Part	Yes
Material - Metal	Brass
Material - Plating Mating	Tin
Material - Plating Termination	Tin
Material - Resin	Nylon
Number of Rows	2
Orientation	Right Angle
PC Tail Length	3.20mm
PCB Locator	No
PCB Retention	None
PCB Thickness - Recommended	1.20mm, 1.60mm
Packaging Type	Tray
Pitch - Mating Interface	2.00mm
Polarized to Mating Part	Yes
Polarized to PCB	No
Stackable	No
Surface Mount Compatible (SMC)	No
Temperature Range - Operating	-25°C to +85°C
Termination Interface: Style	Through Hole

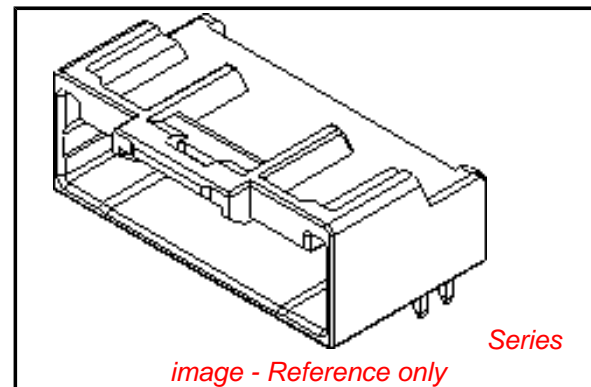
**Electrical**

Current - Maximum per Contact	2A
Voltage - Maximum	250V AC (RMS)/DC

**Material Info**

**Reference - Drawing Numbers**

Product Specification	PS-501646-001, RPS-501646-001, RPS-501646-002, RPS-501646-003, RPS-501646-004, RPS-501646-005, RPS-501646-006, RPS-501646-007
Sales Drawing	SD-501876-001



**EU RoHS**

**ELV and RoHS Compliant**  
**REACH SVHC**  
**Contains SVHC: No**  
**Low-Halogen Status**  
**Not Low-Halogen**

**China RoHS**



**Need more information on product environmental compliance?**

Email [productcompliance@molex.com](mailto:productcompliance@molex.com)  
 For a multiple part number RoHS Certificate of Compliance, [click here](#)

Please visit the [Contact Us](#) section for any non-product compliance questions.

**Search Parts in this Series**

[501876Series](#)

**Mates With**

501646 Housing, 501647 Crimp Terminal 22-26 AWG, [501648](#) Crimp Terminal 26-28 AWG

This document was generated on 03/29/2012

**PLEASE CHECK [WWW.MOLEX.COM](http://WWW.MOLEX.COM) FOR LATEST PART INFORMATION**