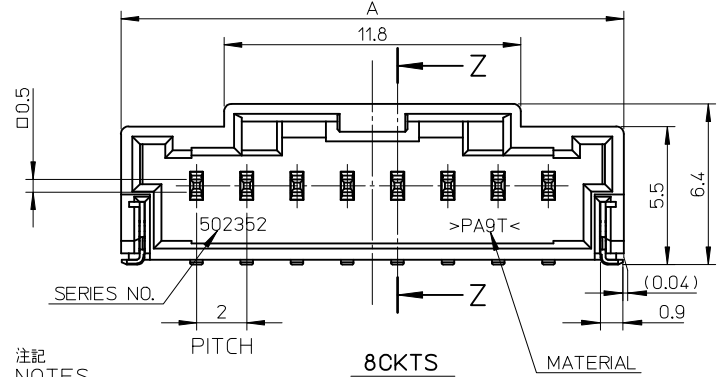
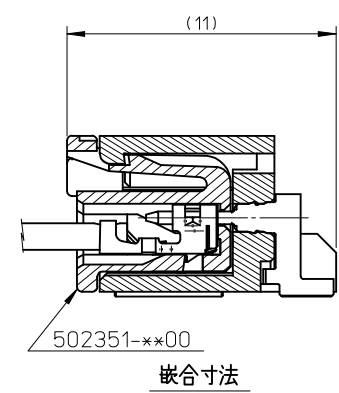
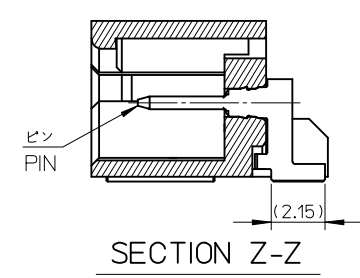
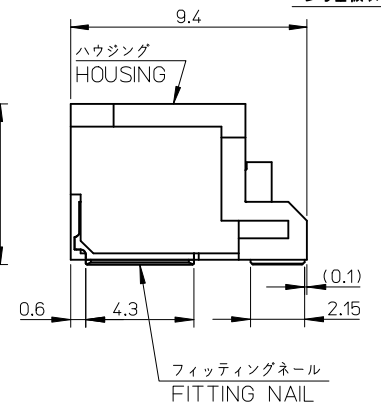


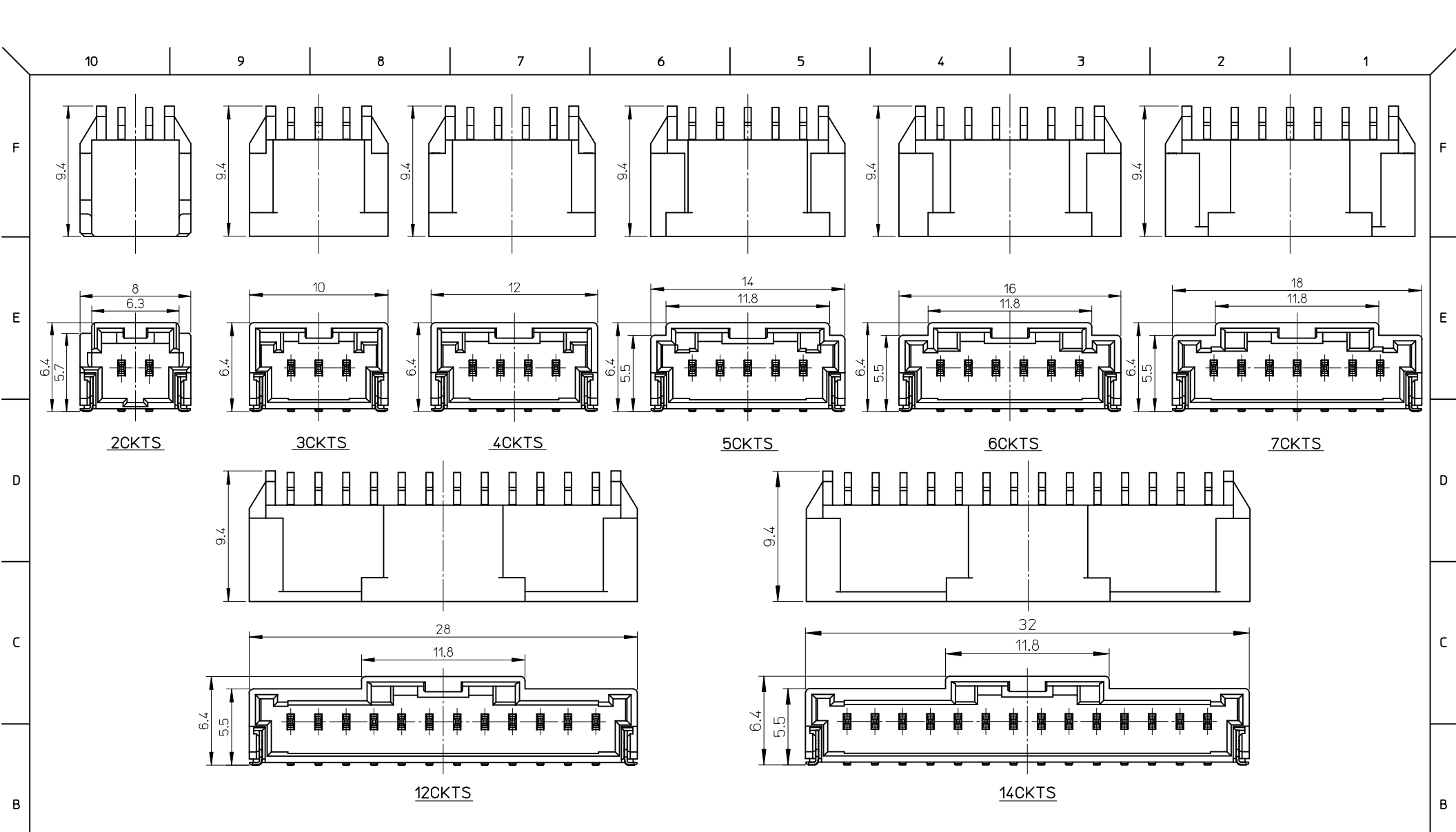
参考基板取り付け寸法(N=極数)



注記 NOTES

- 材質  
ハウジング: 耐熱性ナイロン UL94V-0  
ピン: 銅合金、ニッケル下地、錫メッキ、金メッキ  
フィッティングネール: 銅合金、ニッケル下地、錫メッキ  
MATERIAL  
HOUSING: POLYAMIDE UL94V-0  
PIN: COPPER ALLOY, GOLD OR TIN OVER NICKEL PLATE.  
FITTING NAIL: COPPER ALLOY, TIN OVER NICKEL PLATE.
- 色: ナチュラル、黒  
COLOR: NATURAL, BLACK
- 嵌合相手  
ハウジング: 502351-\*\*-00\*  
錫メッキ端子: 50212-8\*00, 50372-8\*00, 560085-0101  
金メッキ端子: 56161-8\*81  
MATES WITH  
HOUSING: 502351-\*\*-00\*  
SN PLATING TERMINAL: 50212-8\*00, 50372-8\*00, 560085-0101  
AU PLATING TERMINAL: 56161-8\*81
- エンボス梱包品の詳細はSD-502352-002参照  
DETAILED TAPING PACKAGE, SEE SD-502352-002.
- ELV及びRoHS適合  
ELV AND RoHS COMPLIANT
- 半田付け面のコプラナリティ: 0.1mm MAX.  
CO-PLANARITY OF SOLDERING TAILS TO BE 0.1mm MAX.

REVISED EC NO: JTR2015-0017 DRWN: YFUSHIMI 2014/07/16 CHKD: HKOMATSU 2014/07/16 APPR: MAYAMOTO 2014/07/31	GENERAL TOLERANCES (UNLESS SPECIFIED)		DIMENSION STYLE MM ONLY	SCALE 5:1	DESIGN UNITS METRIC	THIRD ANGLE PROJECTION
	10 UNDER	± 0.2	DRAWN BY SHSHIBATA	DATE 2007/12/18	TITLE 2.0MM PITCH W/B CONN. WAFER ASSY R/A SMT	
	10 OVER 30 UNDER	± 0.25	CHECKED BY HKOMATSU	DATE 2007/12/18		
	30 OVER	± 0.3	APPROVED BY AKANESHIGE	DATE 2007/12/18		
REV	DESCRIPTION	ANGULAR ±3 ° DRAFT WHERE APPLICABLE MUST REMAIN WITHIN DIMENSIONS	MATERIAL NO. SEE CHART	DOCUMENT NO. SD-502352-001	SHEET NO. 1 OF 3	
SIZE A3		THIS DRAWING CONTAINS INFORMATION THAT IS PROPRIETARY TO MOLEX INCORPORATED AND SHOULD NOT BE USED WITHOUT WRITTEN PERMISSION				




<b>REVISED</b> EC NO: JTR2015-0017 DRWN: YFUSHIMI 2014/07/16 CHKD: HKOMATSU 2014/07/16 APPR: MAYAMOTO 2014/07/31	GENERAL TOLERANCES (UNLESS SPECIFIED)		DIMENSION STYLE <b>MM ONLY</b>	SCALE <b>4:1</b>	DESIGN UNITS <b>METRIC</b>	THIRD ANGLE PROJECTION
	10 UNDER	± 0.2	DRAWN BY SHSHIBATA	DATE 2007/12/18	TITLE 2.0MM PITCH W/B CONN. WAFER ASSY R/A SMT	
	10 OVER 30 UNDER	± 0.25	CHECKED BY HKOMATSU	DATE 2007/12/18		
	30 OVER	± 0.3	APPROVED BY AKANESHI GE	DATE 2007/12/18		
ANGULAR	± 3 °	MATERIAL NO. <b>SEE CHART</b>		DOCUMENT NO. SD-502352-001	SHEET NO. 2 OF 3	
DRAFT WHERE APPLICABLE MUST REMAIN WITHIN DIMENSIONS		THIS DRAWING CONTAINS INFORMATION THAT IS PROPRIETARY TO MOLEX INCORPORATED AND SHOULD NOT BE USED WITHOUT WRITTEN PERMISSION				

	10	9	8	7	6	5	4	3	2	1	
F	Sn NATURAL	32.0	502352-1400	15							
				14							
				13							
		28.0	502352-1200	12							
				11							
				10							
				9							
		20.0	502352-0800	8	Au NATURAL	20.0	502352-0810	8			
		18.0	502352-0700	7		18.0	502352-0710	7			
		16.0	502352-0600	6		16.0	502352-0610	6			
14.0	502352-0500	5	14.0	502352-0510		5					
12.0	502352-0400	4	12.0	502352-0410		4					
10.0	502352-0300	3	10.0	502352-0310		3					
8.0	502352-0200	2	8.0	502352-0210		2					
PLATING COLOR	A	EMBOSSED PACKAGE ORDER NO.	CKTS	PLATING COLOR		A	EMBOSSED PACKAGE ORDER NO.	CKTS			
CONNECTOR SERIES NO. 502352-**08				CONNECTOR SERIES NO. 502352-**18							

D	Sn BLACK			15
				14
				13
				12
				11
				10
				9
		20.0	502352-0801	8
		18.0	502352-0701	7
		16.0	502352-0601	6
14.0	502352-0501	5		
12.0	502352-0401	4		
10.0	502352-0301	3		
8.0	502352-0201	2		
PLATING COLOR	A	EMBOSSED PACKAGE ORDER NO.	CKTS	
CONNECTOR SERIES NO. 502352-**28				

PLATING COLOR	A	EMBOSSED PACKAGE ORDER NO.	CKTS
CONNECTOR SERIES NO. 502352-**28			

REVISED EC NO: JTR2015-0017 DRWN:YFUSHIMI 2014/07/16 CHKD:HKOMATSU 2014/07/16 APPR: MAYAMOTO 2014/07/31	GENERAL TOLERANCES (UNLESS SPECIFIED)	DIMENSION STYLE MM ONLY	SCALE 5:1	DESIGN UNITS METRIC	THIRD ANGLE PROJECTION
	10 UNDER ±0.2	DRAWN BY SHSHIBATA	DATE 2007/12/18	TITLE 2.0MM PITCH W/B CONN. WAFER ASSY R/A SMT	
	10 OVER 30 UNDER ±0.25	CHECKED BY HKOMATSU	DATE 2007/12/18	 DOCUMENT NO. SD-502352-001 SHEET NO. 3 OF 3	
	30 OVER ±0.3	APPROVED BY AKANESHIGE	DATE 2007/12/18		
	ANGULAR ±3 ° DRAFT WHERE APPLICABLE MUST REMAIN WITHIN DIMENSIONS	MATERIAL NO. SEE CHART	THIS DRAWING CONTAINS INFORMATION THAT IS PROPRIETARY TO MOLEX INCORPORATED AND SHOULD NOT BE USED WITHOUT WRITTEN PERMISSION		