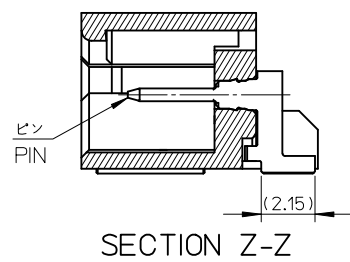
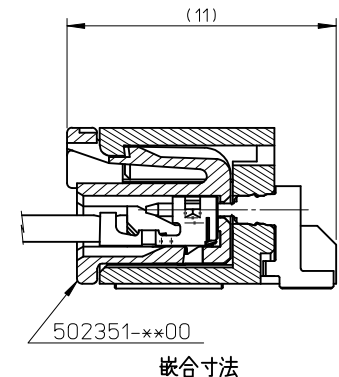


参考基板取り付け寸法(N=極数)



SECTION Z-Z

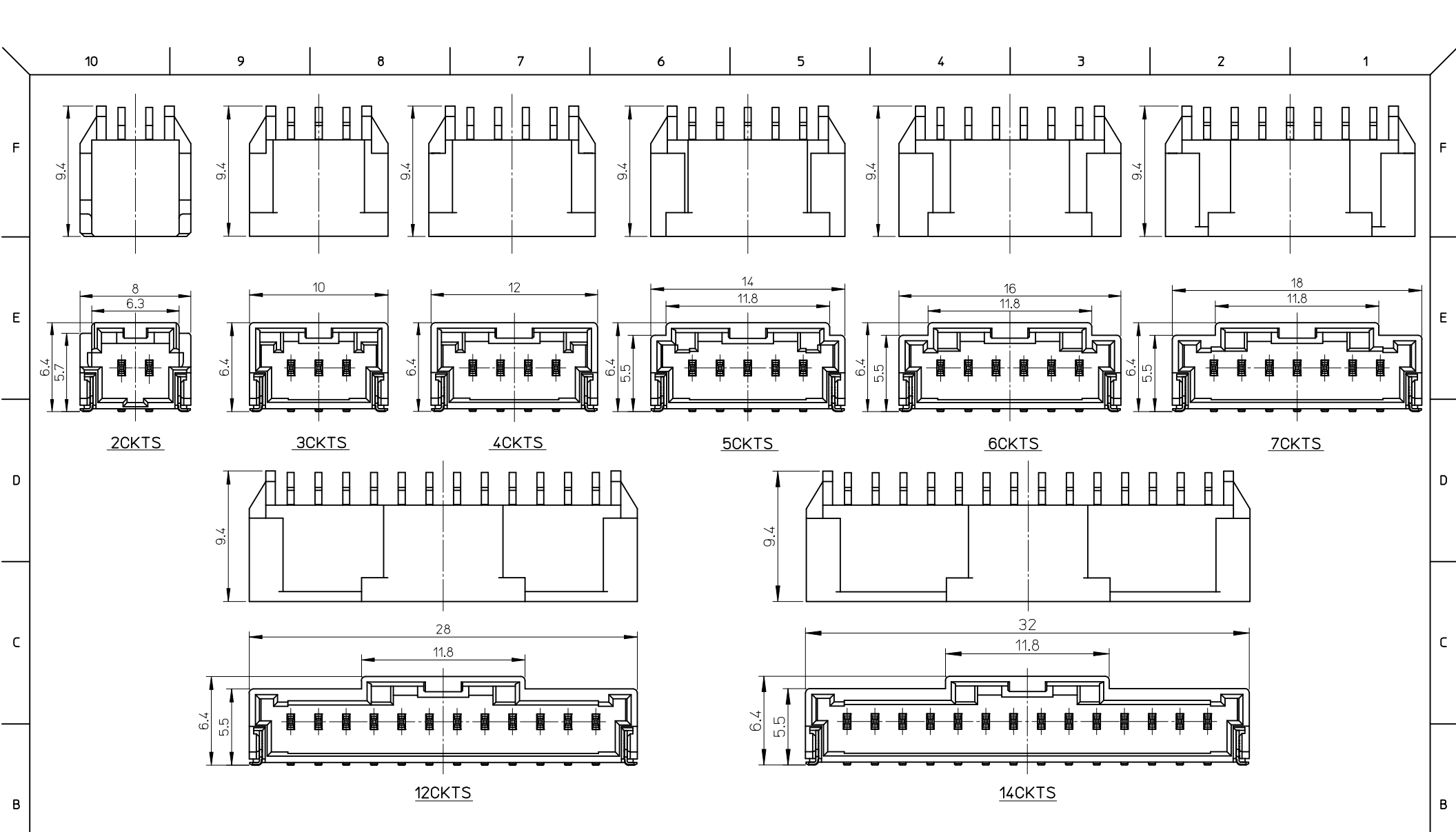


嵌合寸法

注記 NOTES

- 材質  
ハウジング: 耐熱性ナイロン UL94V-0  
ピン: 銅合金、ニッケル下地、錫メッキ、金メッキ  
フィッティングネール: 銅合金、ニッケル下地、錫メッキ  
MATERIAL  
HOUSING: POLYAMIDE UL94V-0  
PIN: COPPER ALLOY, GOLD OR TIN OVER NICKEL PLATE.  
FITTING NAIL: COPPER ALLOY, TIN OVER NICKEL PLATE.
- 色: ナチュラル、黒  
COLOR: NATURAL, BLACK
- 嵌合相手  
ハウジング: 502351-\*\*0\*  
錫メッキ端子: 50212-8\*00、50372-8\*00、560085-0101  
金メッキ端子: 56161-8\*81  
MATES WITH  
HOUSING: 502351-\*\*0\*  
SN PLATING TERMINAL: 50212-8\*00, 50372-8\*00, 560085-0101  
AU PLATING TERMINAL: 56161-8\*81
- エンボス梱包品の詳細はSD-502352-002参照  
DETAILED TAPING PACKAGE, SEE SD-502352-002.
- ELV及びRoHS適合  
ELV AND RoHS COMPLIANT
- 半田付け面のコプラナリティ: 0.1mm MAX.  
CO-PLANARITY OF SOLDERING TAILS TO BE 0.1mm MAX.

REVISED EC NO: JTR2015-0017 DRWN: YFUSHIMI 2014/07/16 CHKD: HKOMATSU 2014/07/16 APPR: MAYAMOTO 2014/07/31	GENERAL TOLERANCES (UNLESS SPECIFIED)		DIMENSION STYLE MM ONLY		SCALE 5:1	DESIGN UNITS METRIC	THIRD ANGLE PROJECTION	
	10 UNDER	± 0.2	DRAWN BY SHSHIBATA	DATE 2007/12/18	TITLE 2.0MM PITCH W/B CONN. WAFER ASSY R/A SMT			
	10 OVER 30 UNDER	± 0.25	CHECKED BY HKOMATSU	DATE 2007/12/18				
	30 OVER	± 0.3	APPROVED BY AKANESHIGE	DATE 2007/12/18	DOCUMENT NO. SD-502352-001			
ANGULAR ±3 °		MATERIAL NO. SEE CHART		SHEET NO. 1 OF 3				
DRAFT WHERE APPLICABLE MUST REMAIN WITHIN DIMENSIONS		SIZE A3		THIS DRAWING CONTAINS INFORMATION THAT IS PROPRIETARY TO MOLEX INCORPORATED AND SHOULD NOT BE USED WITHOUT WRITTEN PERMISSION				



<b>REVISED</b> EC NO: JTR2015-0017 DRWN: YFUSHIMI 2014/07/16 CHKD: HKOMATSU 2014/07/16 APPR: MAYAMOTO 2014/07/31	GENERAL TOLERANCES (UNLESS SPECIFIED)		DIMENSION STYLE <b>MM ONLY</b>	SCALE <b>4:1</b>	DESIGN UNITS <b>METRIC</b>	THIRD ANGLE PROJECTION
	10 UNDER	± 0.2	DRAWN BY SHSHIBATA	DATE 2007/12/18	TITLE 2.0MM PITCH W/B CONN. WAFER ASSY R/A SMT	
	10 OVER 30 UNDER	± 0.25	CHECKED BY HKOMATSU	DATE 2007/12/18		
	30 OVER	± 0.3	APPROVED BY AKANESHI GE	DATE 2007/12/18		
ANGULAR	± 3 °	MATERIAL NO. <b>SEE CHART</b>		DOCUMENT NO. SD-502352-001	SHEET NO. 2 OF 3	
DRAFT WHERE APPLICABLE MUST REMAIN WITHIN DIMENSIONS		THIS DRAWING CONTAINS INFORMATION THAT IS PROPRIETARY TO MOLEX INCORPORATED AND SHOULD NOT BE USED WITHOUT WRITTEN PERMISSION				

	10	9	8	7	6	5	4	3	2	1	
F	Sn NATURAL	32.0	502352-1400	15							
				14							
				13							
		28.0	502352-1200	12							
				11							
				10							
				9							
		20.0	502352-0800	8	Au NATURAL	20.0	502352-0810	8			
		18.0	502352-0700	7		18.0	502352-0710	7			
		16.0	502352-0600	6		16.0	502352-0610	6			
14.0	502352-0500	5	14.0	502352-0510		5					
12.0	502352-0400	4	12.0	502352-0410		4					
10.0	502352-0300	3	10.0	502352-0310		3					
8.0	502352-0200	2	8.0	502352-0210		2					
PLATING COLOR	A	EMBOSSED PACKAGE ORDER NO.	CKTS	PLATING COLOR		A	EMBOSSED PACKAGE ORDER NO.	CKTS			
CONNECTOR SERIES NO. 502352-**08				CONNECTOR SERIES NO. 502352-**18							

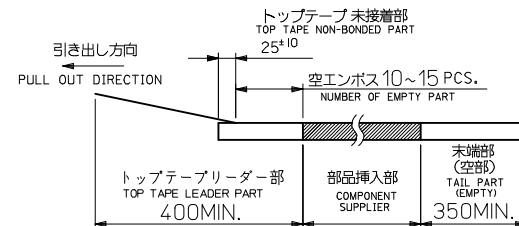
D	Sn BLACK			15
				14
				13
				12
				11
				10
				9
		20.0	502352-0801	8
		18.0	502352-0701	7
		16.0	502352-0601	6
14.0	502352-0501	5		
12.0	502352-0401	4		
10.0	502352-0301	3		
8.0	502352-0201	2		
PLATING COLOR	A	EMBOSSED PACKAGE ORDER NO.	CKTS	
CONNECTOR SERIES NO. 502352-**28				

PLATING COLOR	A	EMBOSSED PACKAGE ORDER NO.	CKTS
CONNECTOR SERIES NO. 502352-**28			

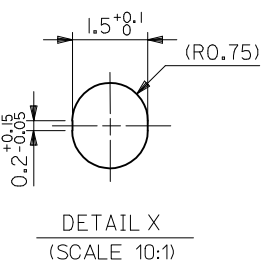
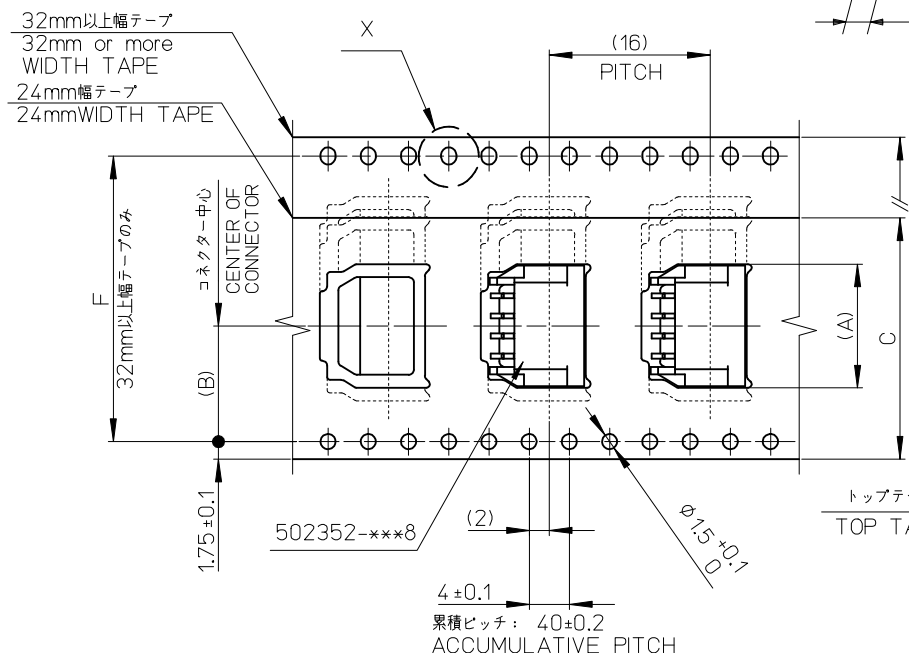
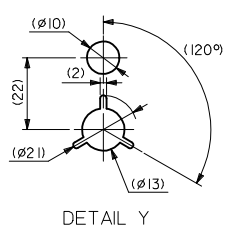
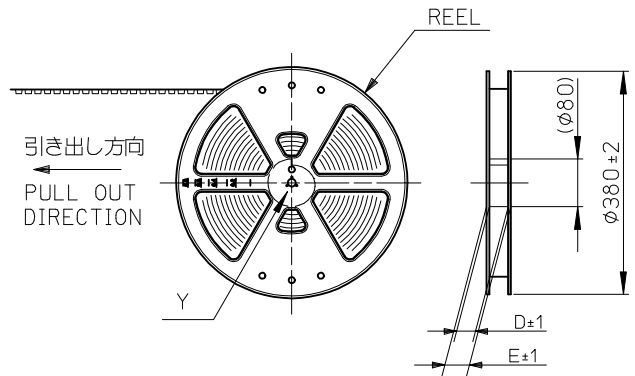
REVISED EC NO: JTR2015-0017 DRWN:YFUSHIMI 2014/07/16 CHKD:HKOMATSU 2014/07/16 APPR: MAYAMOTO 2014/07/31	DESCRIPTION	GENERAL TOLERANCES (UNLESS SPECIFIED)		DIMENSION STYLE MM ONLY		SCALE 5:1	DESIGN UNITS METRIC	THIRD ANGLE PROJECTION	
		10 UNDER	±0.2	DRAWN BY SHSHIBATA	DATE 2007/12/18	TITLE 2.0MM PITCH W/B CONN. WAFER ASSY R/A SMT			
		10 OVER 30 UNDER	±0.25	CHECKED BY HKOMATSU	DATE 2007/12/18				
		30 OVER	±0.3	APPROVED BY AKANESHIGE	DATE 2007/12/18				
	ANGULAR ±3 °	DRAFT WHERE APPLICABLE MUST REMAIN WITHIN DIMENSIONS		MATERIAL NO. SEE CHART		DOCUMENT NO. SD-502352-001		SHEET NO. 3 OF 3	
		THIS DRAWING CONTAINS INFORMATION THAT IS PROPRIETARY TO MOLEX INCORPORATED AND SHOULD NOT BE USED WITHOUT WRITTEN PERMISSION							

注記  
NOTES

- 製品番号  
ナチュラル: 502352-\*\*\*0  
黒: 502352-\*\*\*1  
詳細寸法については、製品単体図面を参照下さい。  
PART NO.  
NATURAL: 502352-\*\*\*0  
BLACK: 502352-\*\*\*1  
SEE SALES DRAWING FOR CONNECTOR
- 梱包数量: 700個/リール  
NUMBER OF CONNECTORS 700PCS/REEL
- リードテープ長さ  
LEAD TAPE LENGHT



- 材料  
MATERIAL  
キャリアテープ: ポリスチレン  
CARRIER TAPE: POLYSTYRENE  
トッパテープ: PET, PE, PEF  
TOP TAPE: PET, PE, PEF  
リール: ポリスチレン  
REEL: POLYSTYRENE



引き出し方向  
PULL OUT DIRECTION

エンボステープ内の製品の向き  
DIRECTION OF CONNECTOR  
IN EMBOSSED TAPE

REVISED	EC NO: JTR2015-0017	GENERAL TOLERANCES (UNLESS SPECIFIED)		DIMENSION STYLE		SCALE	DESIGN UNITS	THIRD ANGLE PROJECTION	
	DRWN:YTAMAKI 2014/01/15	10 UNDER	±0.2	MM ONLY			METRIC	◎	
	CHKD:HKOMATSU 2014/01/15	10 OVER 30 UNDER	±0.25	DRAWN BY	DATE	TITLE		2.0MM PITCH W/B CONN. WAFER ASSY EMBOSSED TAPE PACKAGE	
	APPR: MAYAMAMOTO 2014/07/31	30 OVER	±0.3	SHSHIBATA	2007/6/6	molex		SHEET NO. 1 OF 2	
	ANGULAR ±1 °	DRAFT WHERE APPLICABLE MUST REMAIN WITHIN DIMENSIONS		APPROVED BY	DATE	DOCUMENT NO.		SD-502352-002	
				MATERIAL NO.		SEE CHART			
				THIS DRAWING CONTAINS INFORMATION THAT IS PROPRIETARY TO MOLEX INCORPORATED AND SHOULD NOT BE USED WITHOUT WRITTEN PERMISSION					

	10		9		8		7		6		5		4		3		2		1										
F	Sn NATURAL	52.4	61.4	57.4	56	26.2	Au NATURAL																						
								32.3	502352-1400													15							
																							14						
																							13						
		40.4	49.4	45.4	44	20.2		28.3	502352-1200														12						
																								11					
																								10					
																								9					
																								8					
																								7					
E	Sn NATURAL	28.4	37.4	33.4	32	14.2	Au NATURAL																						
								20.3	502352-0800														8						
								18.3	502352-0700	28.4	37.4	33.4	32	14.2	20.3	502352-0810	18.3	502352-0710	16.3	502352-0610	14.3	502352-0510	12.3	502352-0410	10.3	502352-0310	8.3	502352-0210	2
								16.3	502352-0600															6					
								14.3	502352-0500															5					
								12.3	502352-0400															4					
								10.3	502352-0300															3					
								8.3	502352-0200															2					
PLATING COLOR	F	E	D	C	(B)	(A)	Sn BLACK	エンボス梱包品 製品番号 MATERIAL NO.	極数 CKT.	F	E	D	C	(B)	(A)	エンボス梱包品 製品番号 MATERIAL NO.	極数 CKT.												

D	Sn BLACK																					
PLATING COLOR	F	E	D	C	(B)	(A)	Sn BLACK	エンボス梱包品 製品番号 MATERIAL NO.	極数 CKT.	F	E	D	C	(B)	(A)	エンボス梱包品 製品番号 MATERIAL NO.	極数 CKT.					

REVISED EC NO: JTR2015-0017 DRWN:YAMAKI 2014/01/15 CHKD:HKOMATSU 2014/01/15 APPR: MAYAMOTO 2014/07/31	DESCRIPTION	GENERAL TOLERANCES (UNLESS SPECIFIED)		DIMENSION STYLE MM ONLY		SCALE 1:1	DESIGN UNITS METRIC	THIRD ANGLE PROJECTION		
		10 UNDER	±0.2	DRAWN BY SHSHIBATA	DATE 2007/6/6	TITLE 2.0MM PITCH W/B CONN. WAFER ASSY EMBOSSED TAPE PACKAGE				
		10 OVER 30 UNDER	±0.25	CHECKED BY TAITO	DATE 2007/6/6					
		30 OVER	±0.3	APPROVED BY MAYAMOTO	DATE 2012/03/14	DOCUMENT NO. SD-502352-002				
		ANGULAR ±1 °	DRAFT WHERE APPLICABLE MUST REMAIN WITHIN DIMENSIONS		SEE CHART					
REV	G	SIZE A3		THIS DRAWING CONTAINS INFORMATION THAT IS PROPRIETARY TO MOLEX INCORPORATED AND SHOULD NOT BE USED WITHOUT WRITTEN PERMISSION						