

PLEASE CHECK WWW.MOLEX.COM FOR LATEST PART INFORMATION

Part Number: [5023810000](#)
Status: **Active**
Overview: [IllumiMate™ Connector System](#)
Description: CLIK-Mate™ and IllumiMate™ 1.25mm Pitch Wire-to-Board Crimp Terminal, Tin Plating, Reel

Documents:

[3D Model](#) [Packaging Specification SPK-502381-001 \(PDF\)](#)
[Drawing \(PDF\)](#) [RoHS Certificate of Compliance \(PDF\)](#)
[Product Specification PS-502382-001 \(PDF\)](#)

General

Product Family Crimp Terminals
Series [502381](#)
Application Signal
Crimp Quality Equipment Yes
MolexKits Yes
Overview [IllumiMate™ Connector System](#)
Product Name CLIK-Mate™, IllumiMate™
UPC 822350895187

Physical

Durability (mating cycles max) 30
Gender Plug
Material - Metal Copper Alloy
Material - Plating Mating Tin over Nickel
Material - Plating Termination Tin over Nickel
Net Weight 14.300/mg
Packaging Type Reel
Plating min - Mating 0.406µm
Termination Interface: Style Crimp or Compression
Wire Insulation Diameter 0.80-1.0mm
Wire Size AWG 26, 28
Wire Size mm² 0.08-0.13

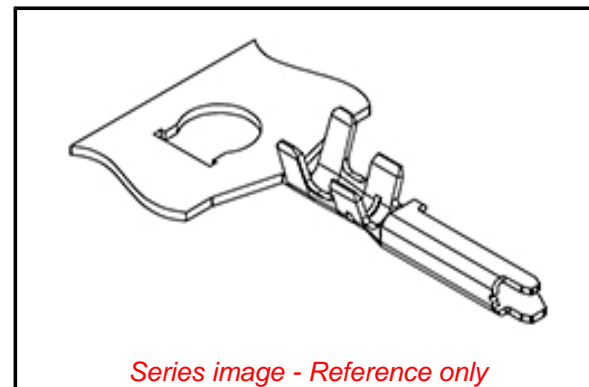
Electrical

Current - Maximum per Contact 1.0A
Voltage - Maximum 50V AC (RMS)/DC

Material Info

Reference - Drawing Numbers

Crimp Specification CS-502381-001
Packaging Specification SPK-502381-001
Product Specification PS-502382-001, RPS-502382-003, RPS-502382-005, RPS-502382-006, RPS-502382-008, RPS-502382-010, RPS-502382-011, RPS-502382-012, RPS-502382-013, RPS-502382-016, RPS-502382-017, RPS-502382-018, RPS-502382-019, RPS-502386-002
Sales Drawing SD-502381-001



Series image - Reference only

EU ELV

Not Relevant

EU RoHS

Compliant

China RoHS

REACH SVHC

No -ED/39/2015 (15 June 2015)

Halogen-Free

Status

Low-Halogen

Need more information on product environmental compliance?

Email productcompliance@molex.com
Please visit the [Contact Us](#) section for any non-product compliance questions.

China ROHS

ELV

Green Image

Not Relevant

Search Parts in this Series

[502381](#) Series

Use With

[502380](#) CLIK-Mate™ Housing, [104105](#) Illuminate Housing, [104099](#) HDR Housing

Application Tooling | FAQ

Tooling specifications and manuals are found by selecting the products below. Crimp Height Specifications are then contained in the Application Tooling Specification document.

Global

Description	Product #
Hand Tool for 1.25mm Wire-to-Board Crimp Terminal, 26-28 AWG Wire	0638194400
T2 Terminator Tooling Die for	0639106600

1.25mm Pitch Wire-
to-Board Connector
Dual Plug Terminals,
26-28 AWG
Extraction Tool 0638132700
FineAdjust™ 0639006600
Applicator for
1.25mm Pitch Wire-
to-Board Connector
Dual Plug Terminals,
26-28 AWG

Japan

Description	Product #
Applicator for M21 1A Bench Press, 26-28 AWG Wire	<u>5780343000</u>

This document was generated on 11/30/2015

PLEASE CHECK WWW.MOLEX.COM FOR LATEST PART INFORMATION