

503154 - 349*	5	28.0	24.0	29.8	34	
503154 - 329*	5	26.5	22.5	28.3	32	
503154 - 309*	5	25.0	21.0	26.8	30	
503154 - 289*	4	23.5	19.5	25.3	28	
503154 - 269*	4	22.0	18.0	23.8	26	
503154 - 249*	4	20.5	16.5	22.3	24	
503154 - 229*	4	19.0	15.0	20.8	22	
503154 - 209*	4	17.5	13.5	19.3	20	
503154 - 189*	4	16.0	12.0	17.8	18	
503154 - 169*	4	14.5	10.5	16.3	16	
503154 - 149*	4	13.0	9.0	14.8	14	
503154 - 129*	3	11.5	7.5	13.3	12	
503154 - 109*	3	10	6.0	11.8	10	
503154 - 089*	3	8.5	4.5	10.3	8	
EMBOSSSED TAPE PACKAGE		D	C	B	A	CIRCUIT
オーダー番号 ORDER No.						

No.	PART	MATERIAL
①	HOUSING	耐熱性樹脂 UL94V-0 HEATPROOF RESIN UL94V-0
②	TERMINAL A	銅合金 COPPER ALLOY 錫メッキ : 1.0 micro-meter MIN. TIN
③	TERMINAL B	ニッケルメッキ (下地) : 1.0 micro-meter MIN. NICKEL (UNDER PLATING)
④	NAIL	銅合金 COPPER ALLOY 錫メッキ : 1.0 micro-meter MIN. TIN ニッケルメッキ (下地) : 1.0 micro-meter MIN. NICKEL (UNDER PLATING)

REVISED EC NO: J2015-0077 DRW:Y.WAKE 2014/06/02 CHKD:K.SAKAWA 2014/06/02 APPR:NUKITA 2014/08/04	GENERAL TOLERANCES (UNLESS SPECIFIED)	
	10 UNDER	±0.2
	10 OVER 30 UNDER	±0.25
	30 OVER	±0.3
DESCRIPTION	ANGULAR	±1 °
REV	DRAFT WHERE APPLICABLE MUST REMAIN WITHIN DIMENSIONS	

DIMENSION STYLE MM ONLY		SCALE 4:1	DESIGN UNITS METRIC	THIRD ANGLE PROJECTION
DRAWN BY T.HANYU	DATE 2007/11/27	TITLE 1.5 W/B CONN. DUAL ST REC. ASSY		
CHECKED BY K.ASAKAWA	DATE 2007/11/27	molex		
APPROVED BY YO.IITO	DATE 2007/11/27			
MATERIAL NO.	DOCUMENT NO. SD-503154-001	SHEET NO. 1 OF 3		
SIZE A3 THIS DRAWING CONTAINS INFORMATION THAT IS PROPRIETARY TO MOLEX INCORPORATED AND SHOULD NOT BE USED WITHOUT WRITTEN PERMISSION				

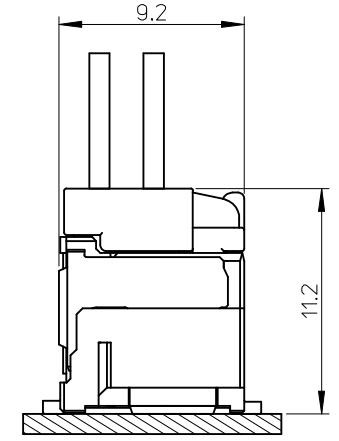
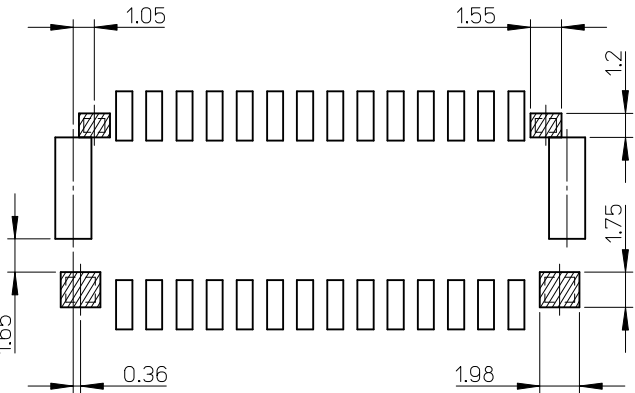
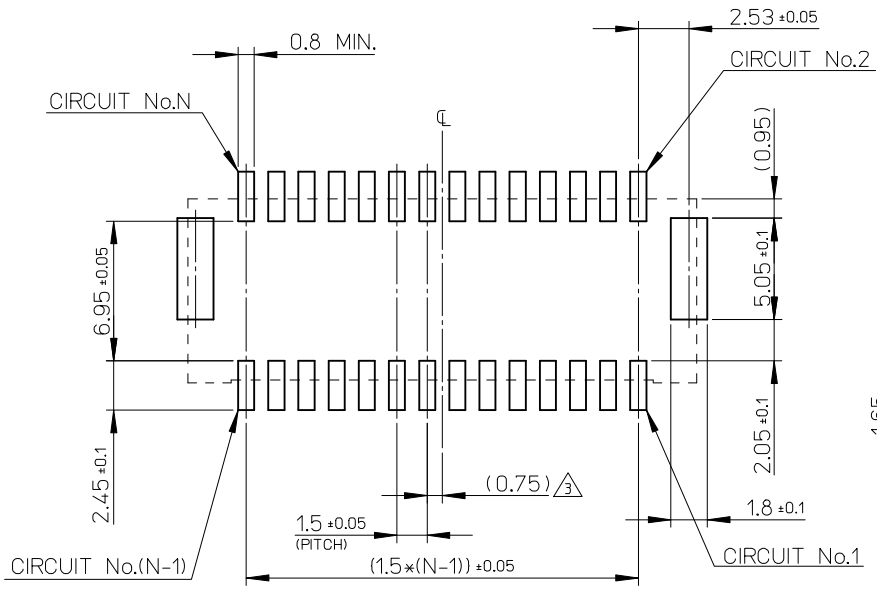
NOTES

1. 嵌合相手: 503149-****
MATE WITH: 503149-****
2. 端子テール部及びネールの平坦度: 0.1mm MAX.
TAIL AND NAIL COPLANARITY TO BE 0.1 MAX.
(極数/2)=偶数に適用
APPLY FOR (CIRCUIT SIZE/2)=EVEN
4. 端子テール部及びネールに錫メッキを使用している為、
外観に摺動痕が付く場合があります。
5. 製品番号

MATERIAL No.
503154 - **9**
 極数 色
 CIRCUIT SIZE COLOR

COLOR	黒 BLACK	赤 RED	青 BLUE	緑 GREEN	ベージュ BEIGE (NATURAL)
COLOR No.	1	2	4	6	0

6. 本製品のプラスチック部に黒点・白点等が確認される場合や
色合いが異なる場合がありますが、製品性能に影響はありません。
THERE IS NO INFLUENCE IN THE PRODUCT PERFORMANCE THOUGH THE BLACK AND WHITE SPOT ETC.
MIGHT BE CONFIRMED TO THE PLASTIC PART OF THIS PRODUCT AND THE SHADE MIGHT BE DIFFERENT.
- △ トレードマーク: MXプラス1文字の製造工場を示すアルファベットにて表示
但し"J"はJAPANを示す。(例: MXJ)
キャビティ番号: 1桁から2桁の数字にて表示
金型番号: アルファベット1文字にて表示
FORMED BY MX AND 1 MORE LETTER OF ALPHABET WHICH MEAN THE MANUFACTORY.
BUT "J" MEANS JAPAN. (TO TRADE MARK) (e.g. MXJ)
AND BY 1 - 2 DIGIT NUMBER (TO CAVITY No.)
AND BY 1 LETTER OF ALPHABET (TO MOLD No.)
コネクタ下にパターン及びスルーホールを設置する場合、基板面からのパターン盛り上がりは、0.1mm MAX.とする事。
但し、図示したパターン禁止エリアは除く。
THE UPSURGE ON THE P.C.BOARD SIDE TO BE 0.1mm MAX.
WHEN SET UP A PATTERN AND A THROUGH HALL UNDER THE CONNECTOR.
9. ELV及びRoHS適合品
ELV AND ROHS COMPLIANT
- △ オーダー番号及びコネクタシリーズ番号
ORDER No. AND CONNECTOR SERIES No.
34極品の色対応はベージュと黒色のみとなります。
A COLOR OF 34 CKT. IS ONLY BEIGE AND BLACK.



△ パターン禁止エリア (参考)
PATTERN PROHIBITION AREA (REF.)

パターンレイアウト (参考)
PATTERN LAYOUT (REF.)

SEE SHEET 1 EC No. J2015-0077 DRWN: YWAKE 2014/06/02 CHKD: KASAKAWA 2014/06/02 APPR: NUKITA 2014/08/04	DESCRIPTION REV: K	GENERAL TOLERANCES (UNLESS SPECIFIED)		DIMENSION STYLE MM ONLY		SCALE 4:1	DESIGN UNITS METRIC	THIRD ANGLE PROJECTION	
		10 UNDER	± 0.2	DRAWN BY T. HANYU	DATE 2007/11/27	TITLE 1.5 W/B CONN. DUAL ST REC. ASSY			
		10 OVER 30 UNDER	± 0.25	CHECKED BY K. ASAKAWA	DATE 2007/11/27				
		30 OVER	± 0.3	APPROVED BY YO. ITO	DATE 2007/11/27				
ANGULAR ±1 °		DRAFT WHERE APPLICABLE MUST REMAIN WITHIN DIMENSIONS		MATERIAL NO. SEE SHEET 1		DOCUMENT NO. SD-503154-001	SHEET NO. 2 OF 3		
SIZE A3 THIS DRAWING CONTAINS INFORMATION THAT IS PROPRIETARY TO MOLEX INCORPORATED AND SHOULD NOT BE USED WITHOUT WRITTEN PERMISSION									

△ ORDER No. AND CONNECTOR SERIES No.

HOUSING COLOR : BEIGE (NATURAL)			HOUSING COLOR : BLACK			HOUSING COLOR : RED			
34	503154 - 3490	503154 - **90	503154 - 3491	503154 - **91	503154 - 3292	503154 - **92			
32	503154 - 3290		503154 - 3291		503154 - 3092				
30	503154 - 3090		503154 - 3091		503154 - 2892				
28	503154 - 2890		503154 - 2891		503154 - 2692				
26	503154 - 2690		503154 - 2691		503154 - 2492				
24	503154 - 2490		503154 - 2491		503154 - 2292				
22	503154 - 2290		503154 - 2291		503154 - 2092				
20	503154 - 2090		503154 - 2091		503154 - 1892				
18	503154 - 1890		503154 - 1891		503154 - 1692				
16	503154 - 1690		503154 - 1691		503154 - 1492				
14	503154 - 1490		503154 - 1491		503154 - 1292				
12	503154 - 1290		503154 - 1291		503154 - 1092				
10	503154 - 1090		503154 - 1091		503154 - 0892				
8	503154 - 0890		503154 - 0891						
CIRCUIT	EMBOSSSED TAPE PACKAGE オーダー番号 ORDER No.		CONNECTOR SERIES No. コネクタシリーズ番号		EMBOSSSED TAPE PACKAGE オーダー番号 ORDER No.		CONNECTOR SERIES No. コネクタシリーズ番号	EMBOSSSED TAPE PACKAGE オーダー番号 ORDER No.	CONNECTOR SERIES No. コネクタシリーズ番号

HOUSING COLOR : BLUE			HOUSING COLOR : GREEN			
34		503154 - **94		503154 - **96		
32	503154 - 3294		503154 - 3296			
30	503154 - 3094		503154 - 3096			
28	503154 - 2894		503154 - 2896			
26	503154 - 2694		503154 - 2696			
24	503154 - 2494		503154 - 2496			
22	503154 - 2294		503154 - 2296			
20	503154 - 2094		503154 - 2096			
18	503154 - 1894		503154 - 1896			
16	503154 - 1694		503154 - 1696			
14	503154 - 1494		503154 - 1496			
12	503154 - 1294		503154 - 1296			
10	503154 - 1094		503154 - 1096			
8	503154 - 0894		503154 - 0896			
CIRCUIT	EMBOSSSED TAPE PACKAGE オーダー番号 ORDER No.		CONNECTOR SERIES No. コネクタシリーズ番号		EMBOSSSED TAPE PACKAGE オーダー番号 ORDER No.	CONNECTOR SERIES No. コネクタシリーズ番号

SEE SHEET 1 EC NO: J2015-0077 DRWN: YMAKE 2014/06/02 CHKD: KASAKAWA 2014/06/02 APPR: NUKITA 2014/08/04	GENERAL TOLERANCES (UNLESS SPECIFIED)		DIMENSION STYLE MM ONLY	SCALE 4:1	DESIGN UNITS METRIC	THIRD ANGLE PROJECTION
	10 UNDER	± 0.2	DRAWN BY T. HANYU	DATE 2007/11/27	TITLE 1.5 W/B CONN. DUAL ST REC. ASSY	
	10 OVER 30 UNDER	± 0.25	CHECKED BY K. ASAKAWA	DATE 2007/11/27		
	30 OVER	± 0.3	APPROVED BY YO. ITO	DATE 2007/11/27		
ANGULAR ±1 °		DRAFT WHERE APPLICABLE MUST REMAIN WITHIN DIMENSIONS		MATERIAL NO. SEE SHEET 1	DOCUMENT NO. SD-503154-001	SHEET NO. 3 OF 3
			SIZE A3	THIS DRAWING CONTAINS INFORMATION THAT IS PROPRIETARY TO MOLEX INCORPORATED AND SHOULD NOT BE USED WITHOUT WRITTEN PERMISSION		

10 9 8 7 6 5 4 3 2 1

F

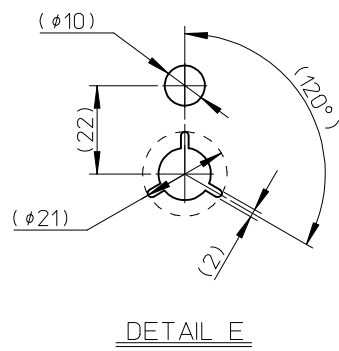
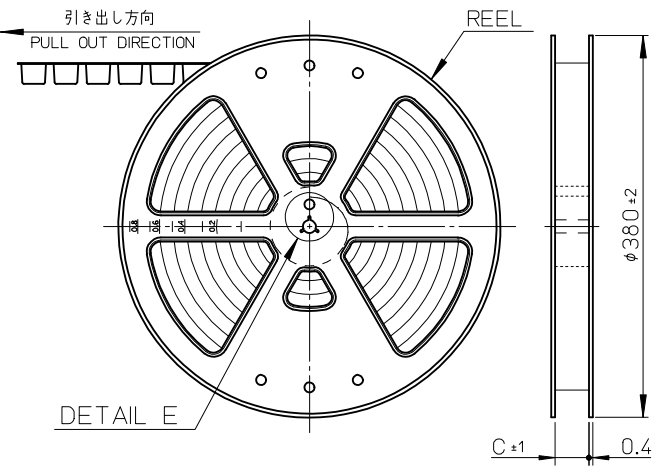
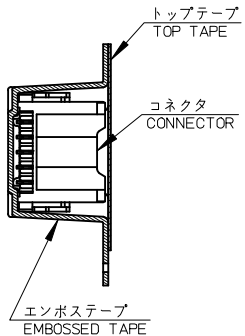
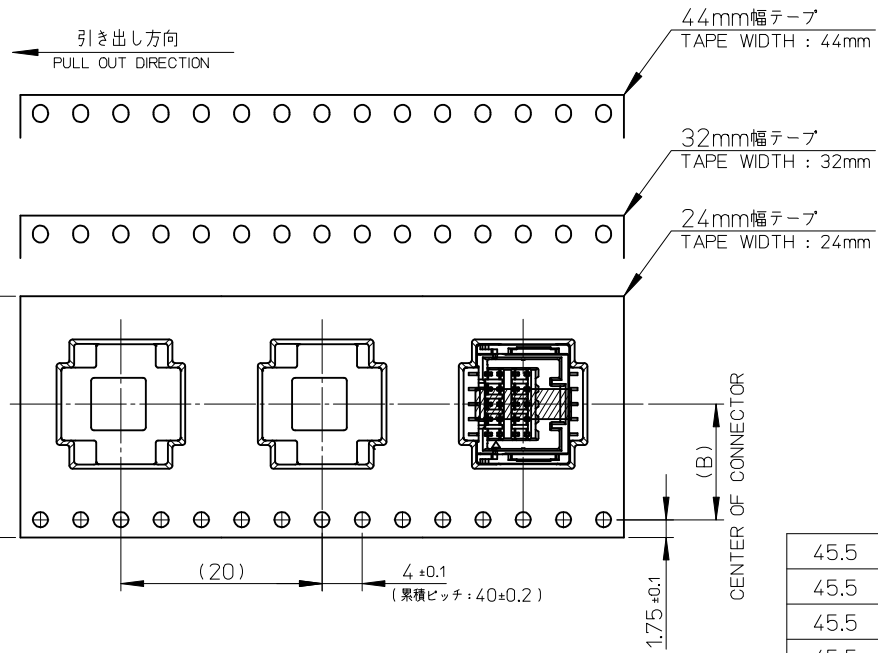
E

D

C

B

A



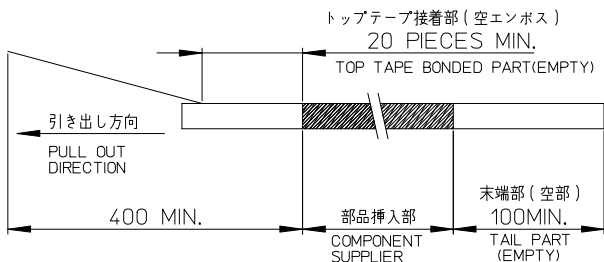
45.5	20.2	44	503154-349*	34
45.5	20.2	44	503154-329*	32
45.5	20.2	44	503154-309*	30
45.5	20.2	44	503154-289*	28
45.5	20.2	44	503154-269*	26
45.5	20.2	44	503154-249*	24
45.5	20.2	44	503154-229*	22
45.5	20.2	44	503154-209*	20
45.5	20.2	44	503154-189*	18
33.5	14.2	32	503154-169*	16
33.5	14.2	32	503154-149*	14
33.5	14.2	32	503154-129*	12
25.5	11.5	24	503154-109*	10
25.5	11.5	24	503154-089*	8
C	B	エンボステープ幅 A WIDTH OF TAPE	△ 製品番号 MATERIAL No.	CIRCUIT No.

REVISED EC NO: J2015-0077 DRWN: YAKE 2014/06/02 CHKD: KASAKAWA 2014/06/02 APPR: NUKITA 2014/08/04	GENERAL TOLERANCES (UNLESS SPECIFIED)		DIMENSION STYLE MM ONLY		SCALE 2:1	DESIGN UNITS METRIC	THIRD ANGLE PROJECTION
	10 UNDER	±0.2	DRAWN BY T. HANYU	DATE 2007/11/27	TITLE EMBOSSED TAPE PACKAGE FOR 503154-****		
	10 OVER 30 UNDER	±0.25	CHECKED BY K. ASAKAWA	DATE 2007/11/27			
	30 OVER	±0.3	APPROVED BY Y0. ITO	DATE 2007/11/27	DOCUMENT NO. SD-503154-002		
ANGULAR ±1 °		MATERIAL NO. SEE CHART		SHEET NO. 1 OF 2		THIS DRAWING CONTAINS INFORMATION THAT IS PROPRIETARY TO MOLEX INCORPORATED AND SHOULD NOT BE USED WITHOUT WRITTEN PERMISSION	
DRAFT WHERE APPLICABLE MUST REMAIN WITHIN DIMENSIONS		SIZE A3					

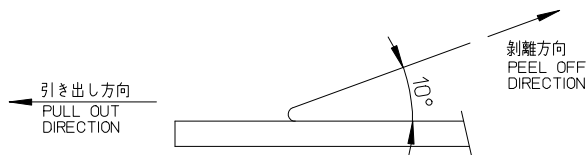
9 8 7 6 5 4 3 2

NOTE

- 1. 梱包数量 : 450個/リール
NUMBER OF CONNECTORS : 450 PIECES/REEL
- 2. リードテープ長さ
LEAD TAPE LENGTH



- 3. トップテープの剥離強度 : 0.1~0.3 N (10.2~132.5gf)
剥離方向は下記参照。
PEELING OFF FORCE OF TOP TAPE
PEELING DIRECTION AS SHOWN IN FOLLOWING FIGURE.
- 尚、本規格は出荷時に適用。(但し、輸送時に剥離が発生しない事)
THIS REQUIREMENT SHOULD BE APPLIED AT SHIPMENT.
PEEL OFF SHOULD NOT BE ALLOWED, DURING TRANSPORTION.



- 4. 製品詳細寸法については、SD-503154-001を参照して下さい。
PLEASE REFER TO SD-503154-001 FOR THE DETAILED DIMENSION OF THE CONNECTOR.
- MATERIAL No. AND CONNECTOR SERIES No.



COLOR	MATERIAL No.				
	黒 BLACK	赤 RED	青 BLUE	緑 GREEN	ベージュ BEIGE (NATURAL)
CIRCUIT No.					
CIRCUIT No.34	503154-3491				503154-3490
CIRCUIT No.32	↑ 3291	503154-3292	503154-3294	503154-3296	↑ 3290
CIRCUIT No.30	3091	↑ 3092	↑ 3094	↑ 3096	3090
CIRCUIT No.28	2891	2892	2894	2896	2890
CIRCUIT No.26	2691	2692	2694	2696	2690
CIRCUIT No.24	2491	2492	2494	2496	2490
CIRCUIT No.22	2291	2292	2294	2296	2290
CIRCUIT No.20	2091	2092	2094	2096	2090
CIRCUIT No.18	1891	1892	1894	1896	1890
CIRCUIT No.16	1691	1692	1694	1696	1690
CIRCUIT No.14	1491	1492	1494	1496	1490
CIRCUIT No.12	1291	1292	1294	1296	1290
CIRCUIT No.10	↓ 1091	↓ 1092	↓ 1094	↓ 1096	↓ 1090
CIRCUIT No.8	503154-0891	503154-0892	503154-0894	503154-0896	503154-0890
CONNECTOR SERIES No.	503154- **91	503154- **92	503154- **94	503154- **96	503154- **90

- 6. 材料
MATERIAL
キャリアテープ : ポリスチレン
CARRIER TAPE : POLYSTYRENE
トッテープ : ポリエステル, ポリエチレン, ポリエチレンテレフタレート
TOP TAPE : POLYESTER, POLYETHYLENE, POLYETHYLENE TEREPHTHALATE
リール : ポリスチレン (リサイクル材含む)
REEL : POLYSTYRENE (RECYCLE MATERIAL CONTAINED)
- 7. ELV及びRoHS適合品
ELV AND RoHS COMPLIANT

SEE SHEET 1 EC No. J2015-0077 DRWN: YMAKE 2014/06/02 CHKD: KASAKAWA 2014/06/02 APPR: NUKITA 2014/08/04	GENERAL TOLERANCES (UNLESS SPECIFIED)		DIMENSION STYLE MM ONLY		SCALE 2:1	DESIGN UNITS METRIC	THIRD ANGLE PROJECTION
	10 UNDER	±0.2	DRAWN BY T. HANYU	DATE 2007/11/27	TITLE EMBOSSSED TAPE PACKAGE FOR 503154-****		
	10 OVER 30 UNDER	±0.25	CHECKED BY K. ASAKAWA	DATE 2007/11/27			
	30 OVER	±0.3	APPROVED BY YO. ITO	DATE 2007/11/27			
ANGULAR ±1 °		MATERIAL NO. SEE SHEET 1		DOCUMENT NO. SD-503154-002	SHEET NO. 2 OF 2		
DRAFT WHERE APPLICABLE MUST REMAIN WITHIN DIMENSIONS		SIZE A3	THIS DRAWING CONTAINS INFORMATION THAT IS PROPRIETARY TO MOLEX INCORPORATED AND SHOULD NOT BE USED WITHOUT WRITTEN PERMISSION				

10 9 8 7 6 5 4 3 2 1

F

E

D

C

B

A

F

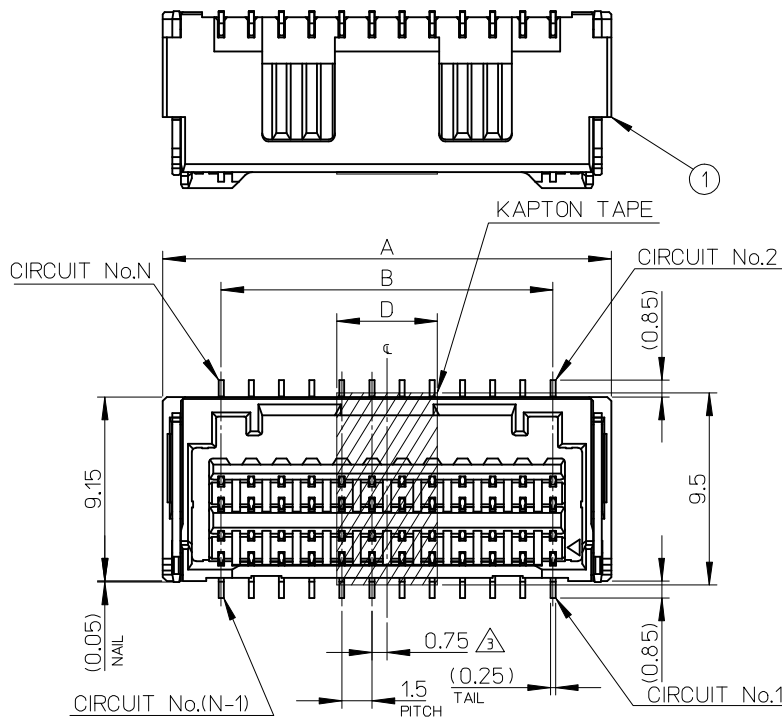
E

D

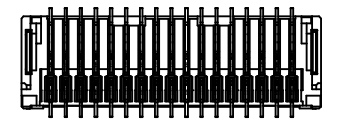
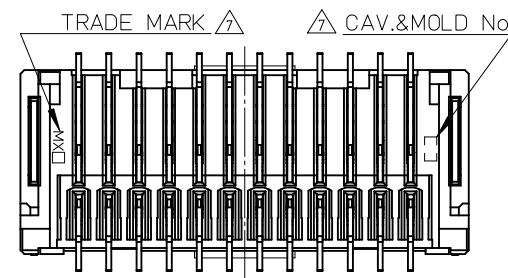
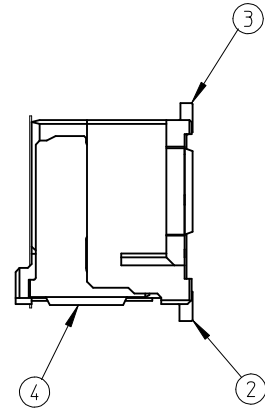
C

B

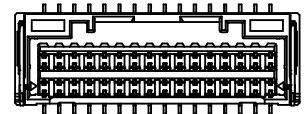
A



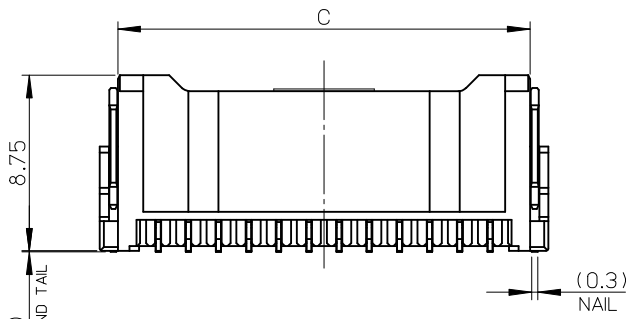
8,10極ハウジング形状
(HOUSING FORM OF 8,10CKT)
SCALE 2:1



34極ハウジング形状
(HOUSING FORM OF 34CKT)
SCALE 2:1



30,32,34極ハウジング形状
(HOUSING FORM OF 30,32,34CKT)
SCALE 2:1



505406346*	5	28.0	24.0	29.8	34
505406326*	5	26.5	22.5	28.3	32
505406306*	5	25.0	21.0	26.8	30
505406286*	4	23.5	19.5	25.3	28
505406266*	4	22.0	18.0	23.8	26
505406246*	4	20.5	16.5	22.3	24
505406226*	4	19.0	15.0	20.8	22
505406206*	4	17.5	13.5	19.3	20
505406186*	4	16.0	12.0	17.8	18
505406166*	4	14.5	10.5	16.3	16
505406146*	4	13.0	9.0	14.8	14
505406126*	3	11.5	7.5	13.3	12
505406106*	3	10	6.0	11.8	10
505406086*	3	8.5	4.5	10.3	8
EMBOSSED TAPE PACKAGE		D	C	B	A
オーダー番号 ORDER No.					CIRCUIT

No.	PART	MATERIAL
①	HOUSING	耐熱性樹脂 UL94V-0 HEATPROOF RESIN UL94V-0
②	TERMINAL A	銅合金 COPPER ALLOY
		コンタクト部 金メッキ : 0.2 micro-meter MIN. CONTACT POS. GOLD
③	TERMINAL B	テール部 錫メッキ : 1.0 micro-meter MIN. TAIL POS. TIN
		ニッケルメッキ (下地) : 1.0 micro-meter MIN. NICKEL (UNDER PLATING)
④	NAIL	銅合金 COPPER ALLOY
		錫メッキ : 1.0 micro-meter MIN. TIN
		ニッケルメッキ (下地) : 1.0 micro-meter MIN. NICKEL (UNDER PLATING)

RELEASED
EC NO: J2015-0528
DRWNTAKAIKE 2014/10/23
CHKD:KASAKAWA 2015/02/16
APPR:NUKITA 2015/02/16

GENERAL TOLERANCES (UNLESS SPECIFIED)		DIMENSION STYLE		SCALE	DESIGN UNITS	THIRD ANGLE PROJECTION
0.25 UNDER	±0.03	MM ONLY		4:1	METRIC	☉
0.25 OVER 0.5 UNDER	±0.05	DRAWN BY DATE		TITLE		
0.5 OVER 1.0 UNDER	±0.1	TAKAIKE 2014/10/23		1.5 W/B CONN. DUAL ST REC. ASSY		
1.0 OVER 10 UNDER	±0.2	CHECKED BY DATE		molex		
10 OVER 30 UNDER	±0.25	KASAKAWA 2015/02/16		SD-505406-001		
30 OVER	±0.3	APPROVED BY DATE		SHEET NO.		
ANGULAR ±1 °		NUKITA 2015/02/16		1 OF 3		
DRAFT WHERE APPLICABLE MUST REMAIN WITHIN DIMENSIONS		MATERIAL NO.		DOCUMENT NO.		
		SEE SHEET 3		THIS DRAWING CONTAINS INFORMATION THAT IS PROPRIETARY TO MOLEX INCORPORATED AND SHOULD NOT BE USED WITHOUT WRITTEN PERMISSION		

9 8 7 6 5 4 3 2 1

NOTES

1. 嵌合相手: 503149-****
MATE WITH : 503149-****
2. 端子テール部及びネールの平坦度: 0.1mm MAX.
TAIL AND NAIL COPLANARITY TO BE 0.1 MAX.
(極数/2)=偶数に適用
APPLY FOR (CIRCUIT SIZE/2)=EVEN
4. 端子テール部及びネールに錫メッキを使用している為、
外観に摺動痕が付く場合があります。
5. 製品番号

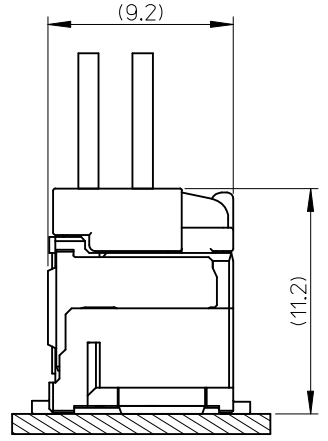
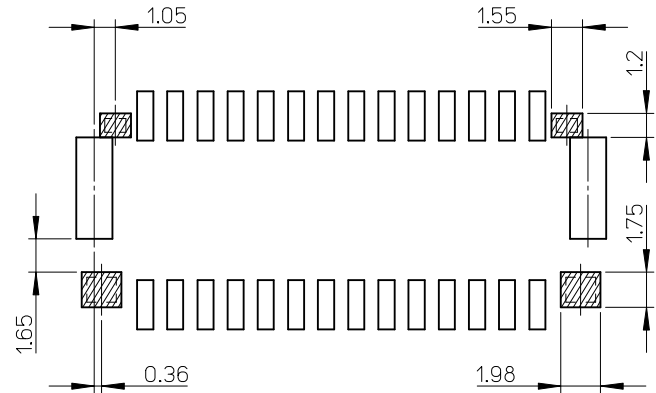
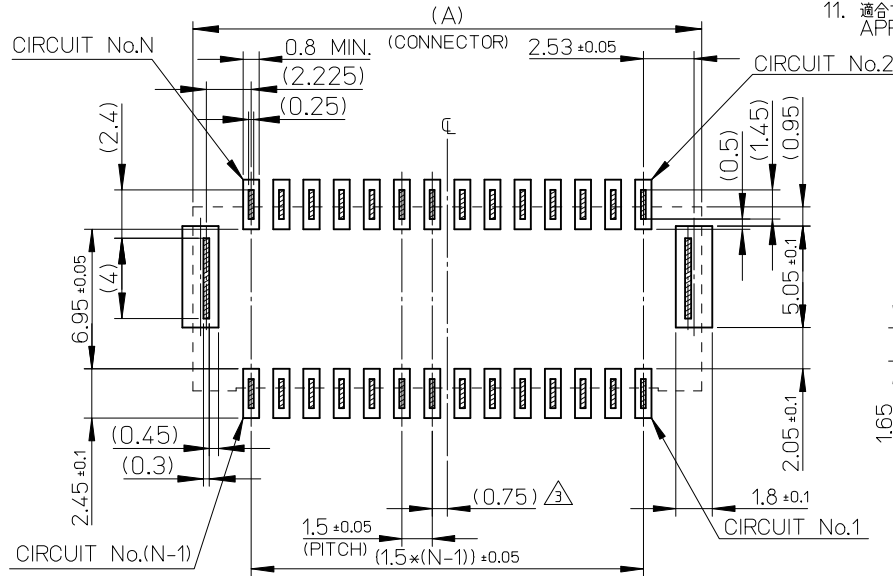
MATERIAL No.

505406**6*

極数 色
CIRCUIT SIZE COLOR

COLOR	ベージュ BEIGE (NATURAL)
COLOR No.	0

6. 本製品のプラスチック部に黒点・白点等が確認される場合や
色合いが異なる場合がありますが、製品性能に影響はありません。
THERE IS NO INFLUENCE IN THE PRODUCT PERFORMANCE THOUGH THE BLACK AND WHITE SPOT ETC.
MIGHT BE CONFIRMED TO THE PLASTIC PART OF THIS PRODUCT AND THE SHADE MIGHT BE DIFFERENT.
- △ トレードマーク:Mプラス、2文字の製造工場を示すアルファベットにて表示。
(但し、"J"はJAPANを"L"はMALAYSIAを示す。(例 MXJ 又はMXL))
金型番号:アルファベット1文字にて表示。(例 1A, 12A, 1B, 12B)
FORMED BY M AND FROM 1 TO 2 MORE LETTER OF ALPHABET WHICH MEAN THE MANUFACTORY.
'BUT "J" MEANS JAPAN. "L" MEANS MALAYSIA (TO TRADE MARK)'
(e.g. MXJ OR MXL).
AND BY 1 - 2 DIGIT NUMBER (TO CAVITY NO.)
'AND BY 1 LETTER OF ALPHABET (TO MOLD NO.)'(e.g. 1A, 12A, 1B, 12B)."
- △ コネクタ下にパターン及びスルーホールを設置する場合、基板面からのパターン盛り上がりは、0.1mm MAX.とする事。
但し、図示したパターン禁止エリアは除く。
THE UPSURGE ON THE P.C.BOARD SIDE TO BE 0.1mm MAX.
WHEN SET UP A PATTERN AND A THROUGH HALL UNDER THE CONNECTOR.
9. ELV及びROHS適合品
ELV AND ROHS COMPLIANT
オーダー番号及びコネクタシリーズ番号
- △ ORDER No. AND CONNECTOR SERIES No.
34極品の色対応はベージュと黒色のみとなります。
A COLOR OF 34 CKT. IS ONLY BEIGE AND BLACK.
11. 適合プラグターミナル:5025791*00, 5034291*00
APPLICABLE PLUG TERMINAL : 5025791*00, 5034291*00



△ パターン禁止エリア (参考)
PATTERN PROHIBITION AREA (REF.)

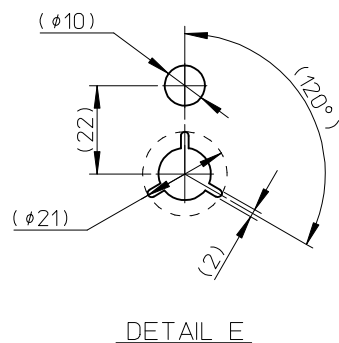
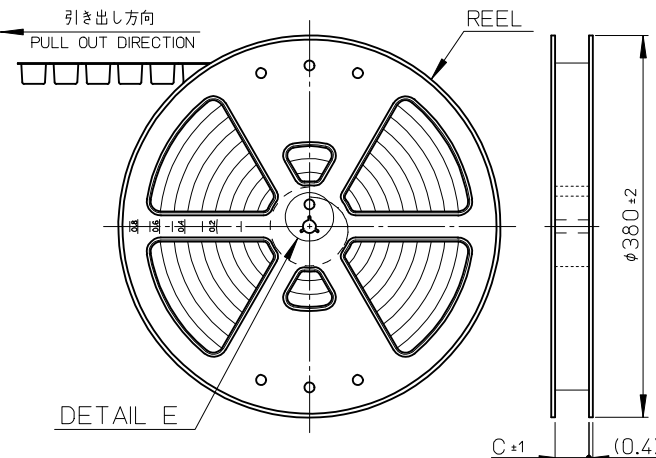
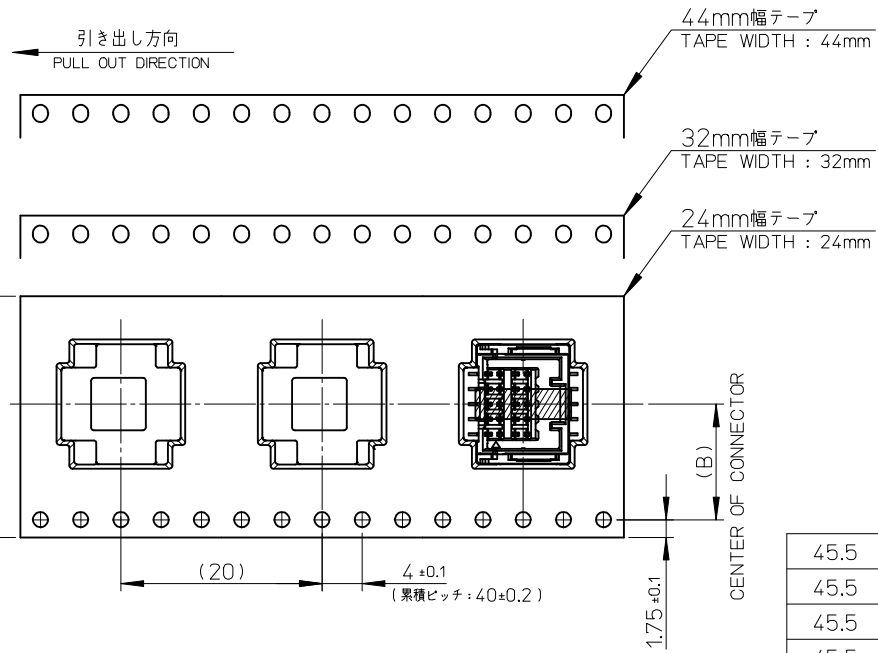
パターンレイアウト (参考)
PATTERN LAYOUT (REF.)

RELEASED EC No: J2015-0528 DRWN:TAKAIKE 2014/10/23 CHKD:KASAKAWA 2015/02/16 APPR:NUKITA 2015/02/16 REV A	GENERAL TOLERANCES (UNLESS SPECIFIED)		DIMENSION STYLE MM ONLY		SCALE 4:1	DESIGN UNITS METRIC	THIRD ANGLE PROJECTION	
	0.25 UNDER	±0.03	DRAWN BY	DATE	TITLE			
	0.25 OVER	0.5 UNDER	±0.05	TAKAIKE	2014/10/23	1.5 W/B CONN. DUAL ST REC. ASSY		
	0.5 OVER	1.0 UNDER	±0.1	CHECKED BY	DATE			
	1.0 OVER	10 UNDER	±0.2	KASAKAWA	2015/02/16			
10 OVER	30 UNDER	±0.25	APPROVED BY	DATE				
30 OVER	±0.3	NUKITA	2015/02/16	MATERIAL NO.	DOCUMENT NO.	SHEET NO.		
ANGULAR	±1 °	SEE SHEET 3		SD-505406-001		2 OF 3		
DRAFT WHERE APPLICABLE MUST REMAIN WITHIN DIMENSIONS			SIZE A3	THIS DRAWING CONTAINS INFORMATION THAT IS PROPRIETARY TO MOLEX INCORPORATED AND SHOULD NOT BE USED WITHOUT WRITTEN PERMISSION				

△ ORDER No. AND CONNECTOR SERIES No.

HOUSING COLOR : BEIGE (NATURAL)		505406**60
34	5054063460	
32	5054063260	
30	5054063060	
28	5054062860	
26	5054062660	
24	5054062460	
22	5054062260	
20	5054062060	
18	5054061860	
16	5054061660	
14	5054061460	
12	5054061260	
10	5054061060	
8	5054060860	
CIRCUIT	EMBOSSSED TAPE PACKAGE オーダー番号 ORDER No.	CONNECTOR SERIES No. コネクタシリーズ番号

RELEASED EC NO: J2015-0528 DRWN: TAKAIKE 2014/10/23 CHKD: KASAKAWA 2015/02/16 APPR: NUKITA 2015/02/16	GENERAL TOLERANCES (UNLESS SPECIFIED)		DIMENSION STYLE MM ONLY		SCALE 4:1	DESIGN UNITS METRIC	THIRD ANGLE PROJECTION		
	0.25 UNDER	± 0.03	DRAWN BY	DATE	TITLE 1.5 W/B CONN. DUAL ST REC. ASSY				
	0.25 OVER 0.5 UNDER	± 0.05	TAKAIKE	2014/10/23					
	0.5 OVER 1.0 UNDER	± 0.1	CHECKED BY	DATE	<div style="text-align: center; font-size: 2em; font-weight: bold;">molex</div>				
	1.0 OVER 10 UNDER	± 0.2	KASAKAWA	2015/02/16					
	10 OVER 30 UNDER	± 0.25	APPROVED BY	DATE	MATERIAL NO.		DOCUMENT NO.	SHEET NO.	
30 OVER	± 0.3	NUKITA	2015/02/16	SEE TABLE		SD-505406-001	3 OF 3		
ANGULAR ±1 °		DRAFT WHERE APPLICABLE MUST REMAIN WITHIN DIMENSIONS		SIZE A3	THIS DRAWING CONTAINS INFORMATION THAT IS PROPRIETARY TO MOLEX INCORPORATED AND SHOULD NOT BE USED WITHOUT WRITTEN PERMISSION				

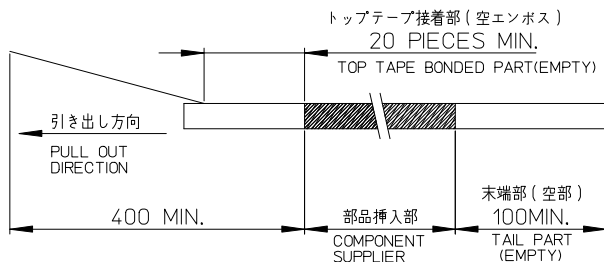


45.5	20.2	44	505406346*	34
45.5	20.2	44	505406326*	32
45.5	20.2	44	505406306*	30
45.5	20.2	44	505406286*	28
45.5	20.2	44	505406266*	26
45.5	20.2	44	505406246*	24
45.5	20.2	44	505406226*	22
45.5	20.2	44	505406206*	20
45.5	20.2	44	505406186*	18
33.5	14.2	32	505406166*	16
33.5	14.2	32	505406146*	14
33.5	14.2	32	505406126*	12
25.5	11.5	24	505406106*	10
25.5	11.5	24	505406086*	8
C	B	エンボステープ幅 A WIDTH OF TAPE	△ 製品番号 MATERIAL No.	CIRCUIT No.

RELEASED EC NO: J2015-0528 DRWN: TAKAIKE 2014/10/23 CHKD: KASAKAWA 2015/02/16 APPR: NUKITA 2015/02/16	GENERAL TOLERANCES (UNLESS SPECIFIED)		DIMENSION STYLE MM ONLY		SCALE 2:1	DESIGN UNITS METRIC	THIRD ANGLE PROJECTION
	0.25 UNDER	±0.03	DRAWN BY	DATE	TITLE		
	0.25 OVER 0.5 UNDER	±0.05	TAKAIKE	2014/10/23	EMBOSSSED TAPE PACKAGE FOR 505406-****		
	0.5 OVER 1.0 UNDER	±0.1	CHECKED BY	DATE	molex		
1.0 OVER 10 UNDER	±0.2	KASAKAWA	2015/02/16	APPROVED BY		DATE	DOCUMENT NO.
10 OVER 30 UNDER	±0.25	NUKITA	2015/02/16	MATERIAL NO.		SD-505406-002	SHEET NO.
30 OVER	±0.3	SEE SHEET 2		THIS DRAWING CONTAINS INFORMATION THAT IS PROPRIETARY TO MOLEX INCORPORATED AND SHOULD NOT BE USED WITHOUT WRITTEN PERMISSION		1 OF 2	
ANGULAR ±1 °		DRAFT WHERE APPLICABLE MUST REMAIN WITHIN DIMENSIONS		SIZE A3			

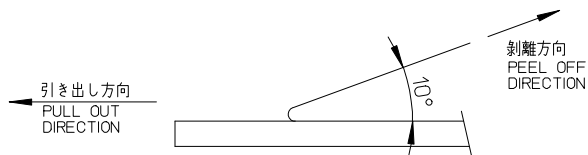
NOTE

- 1. 梱包数量 : 450個/リール
NUMBER OF CONNECTORS : 450 PIECES/REEL
- 2. リードテープ長さ
LEAD TAPE LENGTH



- 3. トップテープの剥離強度 : 0.1~0.3 N (10.2~132.5gf)
剥離方向は下記参照。
PEELING OFF FORCE OF TOP TAPE
PEELING DIRECTION AS SHOWN IN FOLLOWING FIGURE.

尚、本規格は出荷時に適用。(但し、輸送時に剥離が発生しない事)
THIS REQUIREMENT SHOULD BE APPLIED AT SHIPMENT.
PEEL OFF SHOULD NOT BE ALLOWED, DURING TRANSPORTION.



- 4. 製品詳細寸法については、SD-505406-001を参照して下さい。
PLEASE REFER TO SD-505406-001 FOR THE DETAILED DIMENSION OF THE CONNECTOR.
MATERIAL No. AND CONNECTOR SERIES No.



MATERIAL No.	
COLOR	ベージュ BEIGE (NATURAL)
CIRCUIT No.	
CIRCUIT No.34	5054063460
CIRCUIT No.32	5054063260
CIRCUIT No.30	5054063060
CIRCUIT No.28	5054062860
CIRCUIT No.26	5054062660
CIRCUIT No.24	5054062460
CIRCUIT No.22	5054062260
CIRCUIT No.20	5054062060
CIRCUIT No.18	5054061860
CIRCUIT No.16	5054061660
CIRCUIT No.14	5054061460
CIRCUIT No.12	5054061260
CIRCUIT No.10	5054061060
CIRCUIT No.8	5054060860
CONNECTOR SERIES No.	505406**60

- 6. 材料
MATERIAL
キャリアテープ : ポリスチレン
CARRIER TAPE : POLYSTYRENE
トップテープ : ポリエステル、ポリエチレン、ポリエチレンテレフタレート
TOP TAPE : POLYESTER, POLYETHYLENE, POLYETHYLENE TEREPHTHALATE
リール : ポリスチレン (リサイクル材含む)
REEL : POLYSTYRENE (RECYCLE MATERIAL CONTAINED)
- 7. ELV及びRoHS適合品
ELV AND RoHS COMPLIANT

RELEASED EC No.: J2015-0528 DRWN: TAKAIKE 2014/10/23 CHKD: KASAKAWA 2015/02/16 APPR: NUKITA 2015/02/16	GENERAL TOLERANCES (UNLESS SPECIFIED)		DIMENSION STYLE MM ONLY		SCALE 2:1	DESIGN UNITS METRIC	THIRD ANGLE PROJECTION
	0.25 UNDER	±0.03	DRAWN BY	DATE	TITLE		
	0.25 OVER 0.5 UNDER	±0.05	TAKAIKE	2014/10/23	EMBOSSSED TAPE PACKAGE FOR 505406-****		
	0.5 OVER 1.0 UNDER	±0.1	CHECKED BY	DATE			
	1.0 OVER 10 UNDER	±0.2	KASAKAWA	2015/02/16			
10 OVER 30 UNDER	±0.25	APPROVED BY	DATE	MATERIAL NO.	DOCUMENT NO.	SHEET NO.	
30 OVER	±0.3	NUKITA	2015/02/16	SEE TABLE	SD-505406-002	2 OF 2	
ANGULAR ±1 °		DRAFT WHERE APPLICABLE MUST REMAIN WITHIN DIMENSIONS		SIZE A3	THIS DRAWING CONTAINS INFORMATION THAT IS PROPRIETARY TO MOLEX INCORPORATED AND SHOULD NOT BE USED WITHOUT WRITTEN PERMISSION		