

注記 NOTES

1. 使用材料 MATERIAL

ハウジング : 液晶ポリマー (LCP) UL94V-0 (黒)
 HOUSING: LIQUID CRYSTAL POLYMER UL94V-0 (COLOR:BLACK)
 ターミナル : 銅合金
 TERMINAL : COPPER ALLOY

金具 : 銅合金
 FITTING NAIL : COPPER ALLOY

2. メッキ仕様 PLATING

ターミナル TERMINAL

コンタクト部 : 金メッキ 0.1マイクロメートル以上
 CONTACT AREA : GOLD 0.1 MICROMETER MINIMUM.

テール部 : 金メッキ
 SOLDER TAIL AREA : GOLD

下地メッキ : ニッケルメッキ 1.0マイクロメートル以上
 UNDER PLATING : NICKEL 1.0 MICROMETER MINIMUM.

※コンタクト部とテール部はニッケルメッキによって分断されている金メッキです。
 DIVIDE INTO PARTS THE GOLD PLATING OF THE CONTACT AND THE TAIL PART BY THE NICKEL PLATING.

金具 FITTING NAIL

錫メッキ : 1.0マイクロメートル以上
 Tin PLATING : 1.0 MICROMETER MINIMUM.

下地メッキ : ニッケルメッキ 1.0マイクロメートル以上
 UNDER PLATING : NICKEL 1.0 MICROMETER MINIMUM.

△ (全極数 / 2) = 偶数の場合に適用。
 APPLY FOR (CIRCUIT/2)=EVEN.

4. 嵌合相手 : 503308 シリーズ
 MATE WITH : 503308 SERIES.

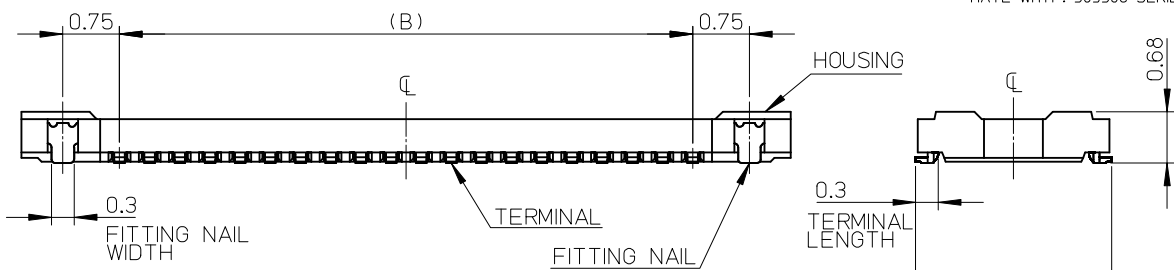
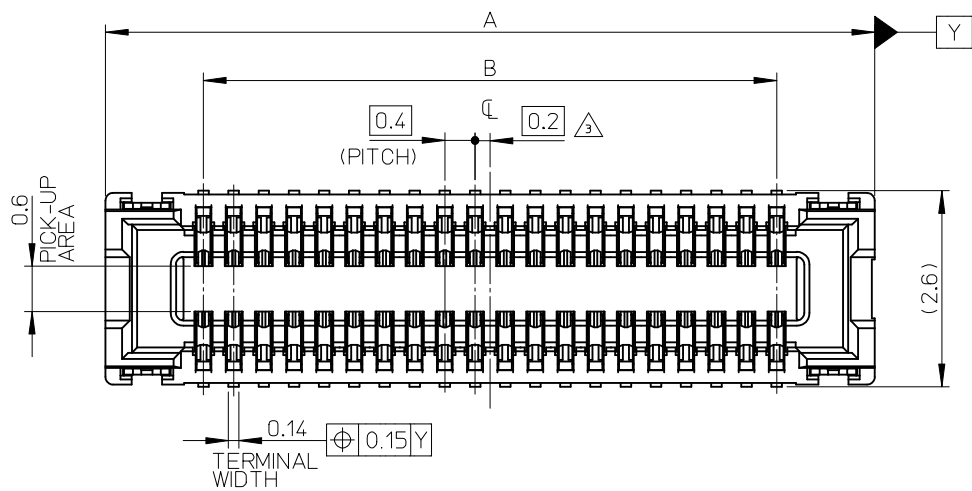
5. テール平坦度は、0.08 以下

テール及び金具の平坦度は、0.1 以下
 TAIL COPLANARITY TO BE 0.08MAXIMUM.
 TAIL AND FITTING NAIL COPLANARITY TO BE 0.1MAXIMUM.

6. ELV 及び RoHS COMPLIANT.

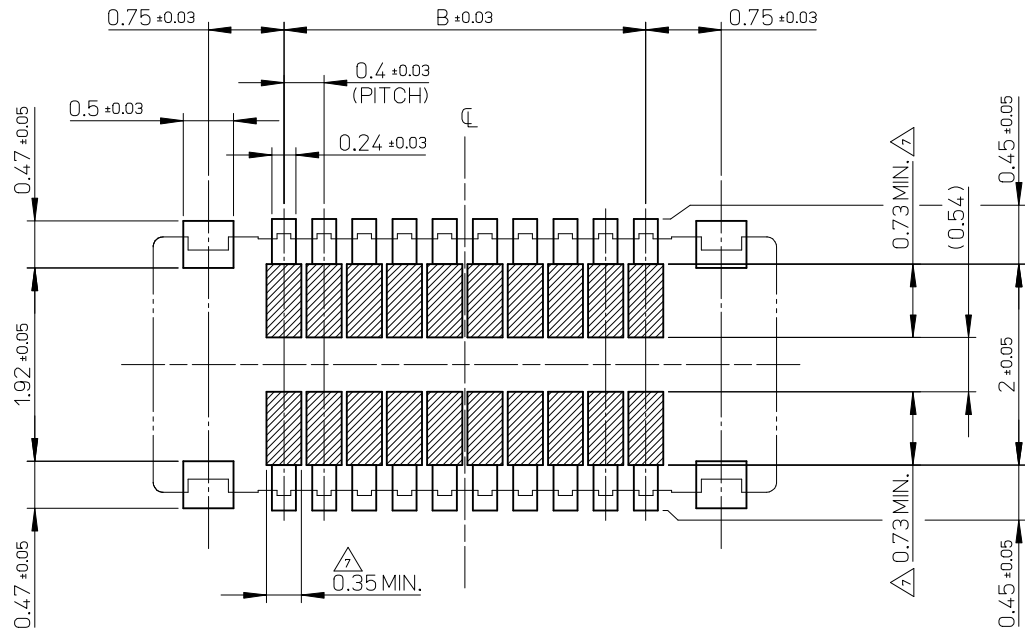
△ パターン及び半田禁止エリア
 (当該箇所においては、これと接する回路以外の配線を禁止する。
 また、接する回路を配線する場合はレジストを施し、
 この部分に半田は無きこととする。)

PROHIBITED AREA OF PATTERN WIRING AND SOLDER.
 (FOR EACH AREA, THE WIRING THAT TOUCHES
 ON THE SOLDER CAN BE ATTACHED, THEN COVERD
 WITH A FILM TO KEEP SOLDER OUT.)



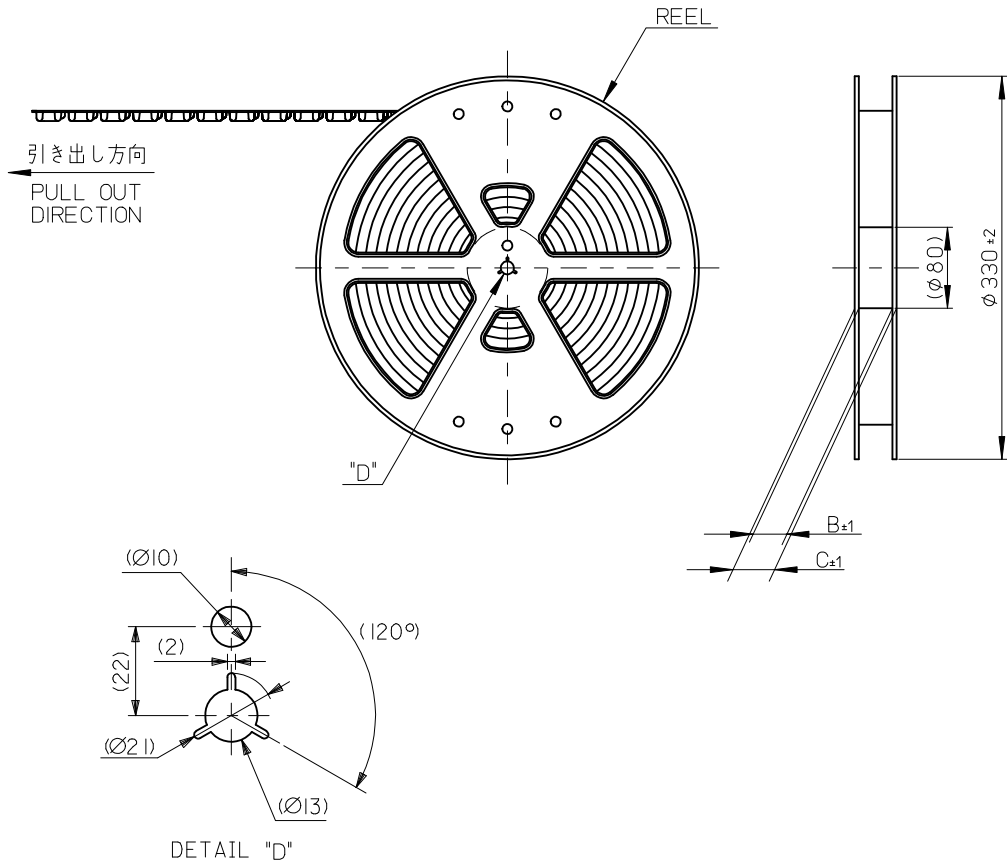
11.6	14.2	503304-6040	○	60
9.6	12.2	503304-5040	○	50
8.4	11.0	503304-4440	○	44
8.0	10.6	503304-4240	○	42
7.6	10.2	503304-4040	○	40
5.6	8.2	503304-3040	○	30
4.8	7.4	503304-2640	○	26
4.4	7.0	503304-2440	○	24
3.6	6.2	503304-2040	○	20
3.2	5.8	503304-1840	○	18
2.8	5.4	503304-1640	○	16
2.0	4.6	503304-1240	○	12
B	A	EMBOSSD PACKAGE オーダー番号 ORDER No.	HIGH VOL. TOOL SAMPLE PREPARATION	極数 CIRCUITS
CONNECTOR SERIES No. : 503304-***9				

REVISED EC NO: J2014-1214 DRWN: TARAI01 2014/01/31 CHKD: TASAKAWA 2014/01/31 APPR: KMORIKAWA 2014/02/03	GENERAL TOLERANCES (UNLESS SPECIFIED)		DIMENSION STYLE MM ONLY		SCALE 15:1	DESIGN UNITS METRIC	THIRD ANGLE PROJECTION	
	10 UNDER	±0.2	DRAWN BY MKATO	DATE 2013/07/23	TITLE 0.4 B-TO-B CONN. HGT=0.7 W=2.6 REC. ASS'Y			
	10 OVER 30 UNDER	±0.25	CHECKED BY TASAKAWA	DATE 2013/07/23				
	30 OVER	±0.3	APPROVED BY KMORIKAWA	DATE 2013/10/21				
DESCRIPTION	ANGULAR ±3 °	MATERIAL NO. SEE CHART		DOCUMENT NO. SD-503304-006	SHEET NO. 1 OF 2			
REV	DRAFT WHERE APPLICABLE MUST REMAIN WITHIN DIMENSIONS		SIZE A3		THIS DRAWING CONTAINS INFORMATION THAT IS PROPRIETARY TO MOLEX INCORPORATED AND SHOULD NOT BE USED WITHOUT WRITTEN PERMISSION			



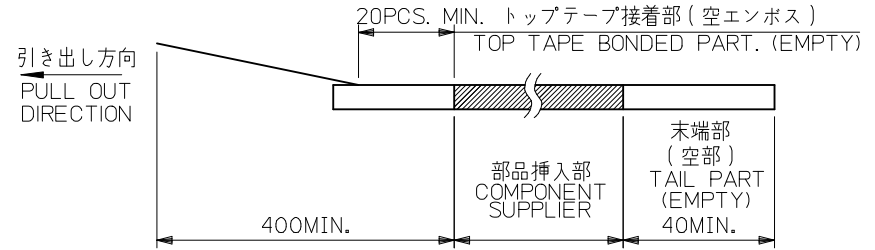
RECOMMENDED P.W.BOARD PATTERN LAYOUT(REFERENCE)
 RECOMMENDED THICKNESS OF METAL MASK : t=0.1mm
 RECOMMENDED OPEN APERTURE RATIO OF METAL MASK : 100%

REVISED EC NO: J2014-1214 DRWN: TARA101 2014/01/31 CHKD: TASAKAWA 2014/01/31 APPR: KMORIKAWA 2014/02/03	GENERAL TOLERANCES (UNLESS SPECIFIED)		DIMENSION STYLE MM ONLY	SCALE 20:1	DESIGN UNITS METRIC	THIRD ANGLE PROJECTION	
	10 UNDER ± 0.2	10 OVER 30 UNDER ± 0.25	DRAWN BY MKATO	DATE 2013/07/23	TITLE 0.4 B-TO-B CONN. HGT=0.7 W=2.6 REC. ASS'Y		
	30 OVER ± 0.3	ANGULAR ± 3 °	CHECKED BY TASAKAWA	DATE 2013/07/23	molex DOCUMENT NO. SD-503304-006 SHEET NO. 2 OF 2		
	DRAFT WHERE APPLICABLE MUST REMAIN WITHIN DIMENSIONS		APPROVED BY KMORIKAWA	DATE			
B	DESCRIPTION REV	MATERIAL NO. SEE CHART	THIS DRAWING CONTAINS INFORMATION THAT IS PROPRIETARY TO MOLEX INCORPORATED AND SHOULD NOT BE USED WITHOUT WRITTEN PERMISSION				

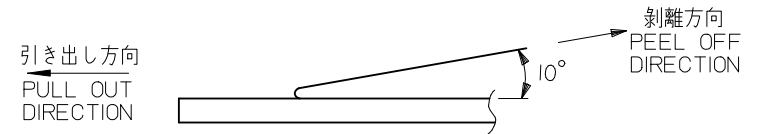


注記 NOTES

- 製品詳細寸法については製品単体図面を参照下さい。
RE DETAILED DIMENSION, SEE PRODUCT DRAWING.
- 梱包数量: 3000 個/リール
NUMBER OF CONNECTORS : 3000PCS/REEL
- リードテープ長さ LEAD TAPE LENGTH



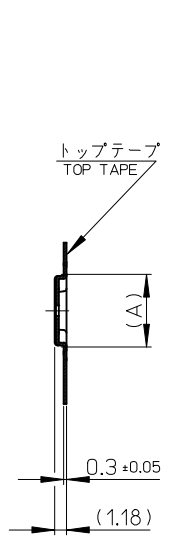
- カバーテープの剥離強度については、IEC60286-3に準拠
(剥離方向は下図参照)
COVER TAPE PEEL FORCE IS DEFINED BY IEC 60286-3.
(PEELING DIRECTION AS SHOWN IN FOLLOWING FIG.)



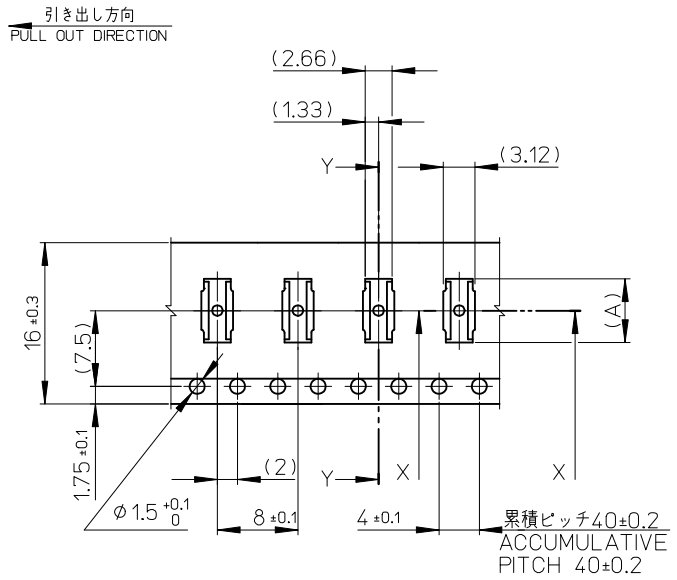
- 材料 MATERIAL
キャリアテープ (CARRIER TAPE) : ポリスチレン (POLYSTYRENE)
トップテープ (TOP TAPE) : PET , OTHER
リール (REEL) : ポリスチレン (PS) <リサイクル材を含む>
POLYSTYRENE (PS) <RECYCLE MATERIAL CONTAINED>
- 1リール/3000個内において、欠品はなきこと
THERE SHALL BE NO MISSING PRODUCT.
- ELV 及び RoHS適合品
ELV AND RoHS COMPLIANT

MODEL NO. 503304-***40

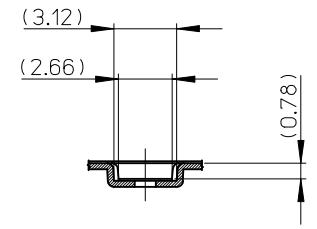
REVISED EC NO: J2014-1214 DRWN: TARA01 2014/01/31 CHKD: TASAKAWA 2014/01/31 APPR: KMORIKAWA 2014/02/03	GENERAL TOLERANCES (UNLESS SPECIFIED)		DIMENSION STYLE MM ONLY	SCALE NTS	DESIGN UNITS METRIC	THIRD ANGLE PROJECTION
	10 UNDER	±0.2	DRAWN BY MKATO	DATE 2013/07/17	TITLE 0.4 B-TO-B CONN. HGT=0.7 REC ASSY EMBSTP PKG	
	10 OVER 30 UNDER	±0.25	CHECKED BY TASAKAWA	DATE 2013/07/18		
	30 OVER	±0.3	APPROVED BY KMORIKAWA	DATE 2013/10/21		
ANGULAR ±3 °	DRAFT WHERE APPLICABLE MUST REMAIN WITHIN DIMENSIONS		MATERIAL NO. SEE CHART	DOCUMENT NO. SD-503304-007	SHEET NO. 1 OF 3	
SIZE A3	THIS DRAWING CONTAINS INFORMATION THAT IS PROPRIETARY TO MOLEX INCORPORATED AND SHOULD NOT BE USED WITHOUT WRITTEN PERMISSION					



SECTION Y-Y



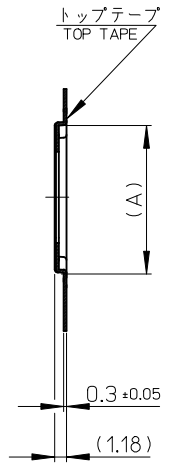
16mm 幅キャリアテープ
16mm WIDTH CARRIER TAPE



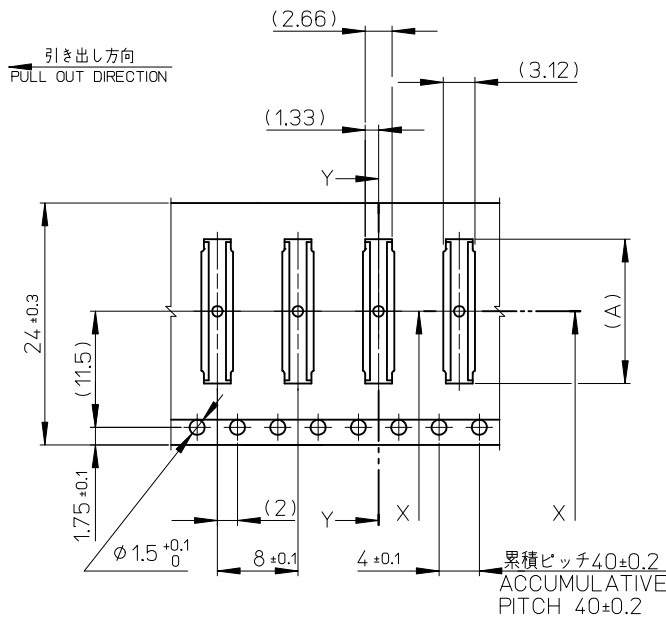
SECTION X-X

16	21.4	17.4	7.52	503304-2640	○	26
			7.12	503304-2440	○	24
			6.32	503304-2040	○	20
			5.92	503304-1840	○	18
			5.52	503304-1640	○	16
			4.72	503304-1240	○	12
キャリアテープ幅 CARRIER TAPE WIDTH	C	B	(A)	EMBOSSED PACKAGE	HIGH VOL. TOOL.	極数
				オーダー番号 ORDER No.	SAMPLE PREPARATION	CKT.
			MODEL No.		503304-**40	

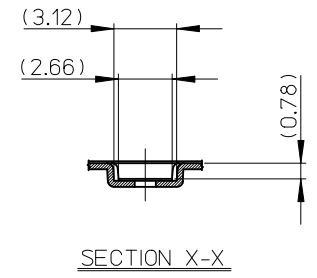
REVISED EC NO: J2014-1214 DRWN: TARA101 2014/01/31 CHKD: TASAKAWA 2014/01/31 APPR: KMORIKAWA 2014/02/03	DESCRIPTION REV	GENERAL TOLERANCES (UNLESS SPECIFIED)		DIMENSION STYLE MM ONLY		SCALE NTS		DESIGN UNITS METRIC		THIRD ANGLE PROJECTION		
		10 UNDER	±0.2	DRAWN BY	DATE	TITLE						
		10 OVER 30 UNDER	±0.25	MKATO	2013/07/17	0.4 B-TO-B CONN. HGT=0.7 REC ASSY EMBSTP PKG						
		30 OVER	±0.3	CHECKED BY	DATE							
ANGULAR ±3 °		TASAKAWA	2013/07/19									
DRAFT WHERE APPLICABLE MUST REMAIN WITHIN DIMENSIONS		APPROVED BY	DATE	MATERIAL NO.		DOCUMENT NO.		SHEET NO.				
		KMORIKAWA	2013/10/21	SEE CHART		SD-503304-007		2 OF 3				
		THIS DRAWING CONTAINS INFORMATION THAT IS PROPRIETARY TO MOLEX INCORPORATED AND SHOULD NOT BE USED WITHOUT WRITTEN PERMISSION										



SECTION Y-Y



24mm 幅キャリアテープ
24mm WIDTH CARRIER TAPE



SECTION X-X

24	29.4	25.4	14.32	503304-6040	○	60
			12.32	503304-5040	○	50
			11.12	503304-4440	○	44
			10.72	503304-4240	○	42
			10.32	503304-4040	○	40
			8.32	503304-3040	○	30
キャリアテープ幅 CARRIER TAPE WIDTH	C	B	(A)	EMBOSSED PACKAGE オーダー番号 ORDER No.	HIGH VOL. TOOL. SAMPLE PREPARATION	極数 CKT.
			MODEL No.		503304-**40	

REVISED EC NO: J2014-1214 DRWN: TARA101 2014/01/31 CHKD: TASAKAWA 2014/01/31 APPR: KMORIKAWA 2014/02/03	DESCRIPTION GENERAL TOLERANCES (UNLESS SPECIFIED) DIMENSION STYLE SCALE DESIGN UNITS THIRD ANGLE PROJECTION	10 UNDER ±0.2	MM ONLY	NTS	TITLE 0.4 B-TO-B CONN. HGT=0.7 REC ASSY EMBSTP PKG molex DOCUMENT NO. SD-503304-007 SHEET NO. 3 OF 3
		10 OVER 30 UNDER ±0.25	DRAWN BY DATE MKATO 2013/07/18	METRIC	
		30 OVER ±0.3	CHECKED BY DATE TASAKAWA 2013/07/19	◎ □	
		ANGULAR ±3 °	APPROVED BY DATE KMORIKAWA 2013/10/21	SEE CHART	
DRAFT WHERE APPLICABLE MUST REMAIN WITHIN DIMENSIONS	MATERIAL NO. SEE CHART	THIS DRAWING CONTAINS INFORMATION THAT IS PROPRIETARY TO MOLEX INCORPORATED AND SHOULD NOT BE USED WITHOUT WRITTEN PERMISSION			