

RECOMMENDED P.W.BOARD PATTERN LAYOUT
TOLERANCE : ±0.05

PATTERN KEEP OUT AREA
TOLERANCE : ±0.05
 GND RECOMMENDED PATTERN.

REFERENCE ONLY
There is a proposed drawing for concept,
so the dimensions are subject to change without notice.
Also, this model is tentative, and has the possibility of changing.

RELEASED EC NO: J2014-1153 DRWN: YMATSUMOTO 2014/01/24 CHKD: SAKIYAMA 2014/01/24 APPR: NUKITA 2014/01/31	GENERAL TOLERANCES (UNLESS SPECIFIED)		DIMENSION STYLE MM ONLY	SCALE 5:1	DESIGN UNITS METRIC	THIRD ANGLE PROJECTION
	10 UNDER	±0.2	DRAWN BY YMATSUMOTO	DATE 2014/01/24	TITLE MICRO SD CONN. BAR-PUSH TYPE WITH TRAY ASSY	
	10 OVER 30 UNDER	±0.25	CHECKED BY SAKIYAMA	DATE 2014/01/24		
	30 OVER	±0.3	APPROVED BY NUKITA	DATE 2014/01/31		
ANGULAR	±1	MATERIAL NO.		DOCUMENT NO.	SHEET NO.	
DRAFT WHERE APPLICABLE MUST REMAIN WITHIN DIMENSIONS		SEE SHEET 1		SD-504528-003		2 OF 3
THIS DRAWING CONTAINS INFORMATION THAT IS PROPRIETARY TO MOLEX INCORPORATED AND SHOULD NOT BE USED WITHOUT WRITTEN PERMISSION						

10 9 8 7 6 5 4 3 2 1

F

E

D

C

B

A

F

E

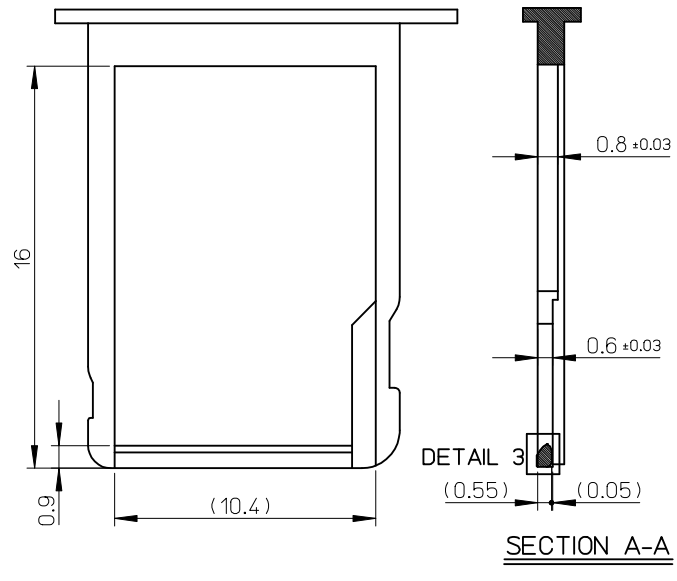
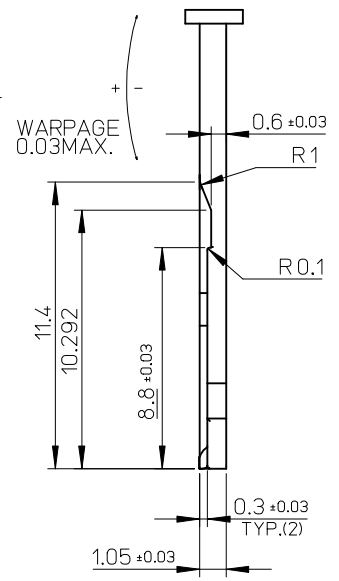
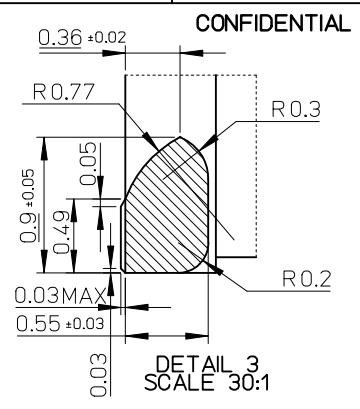
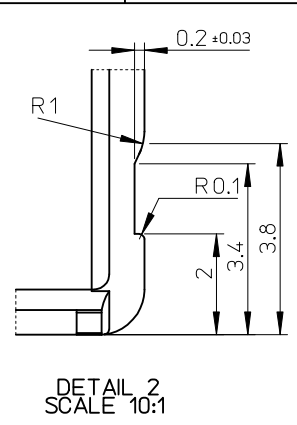
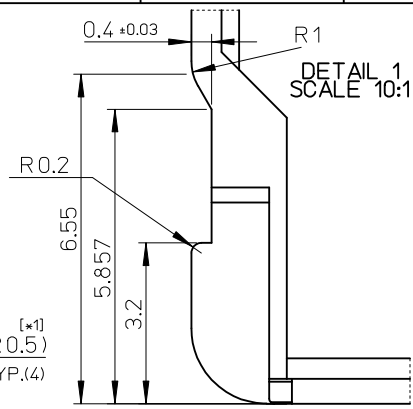
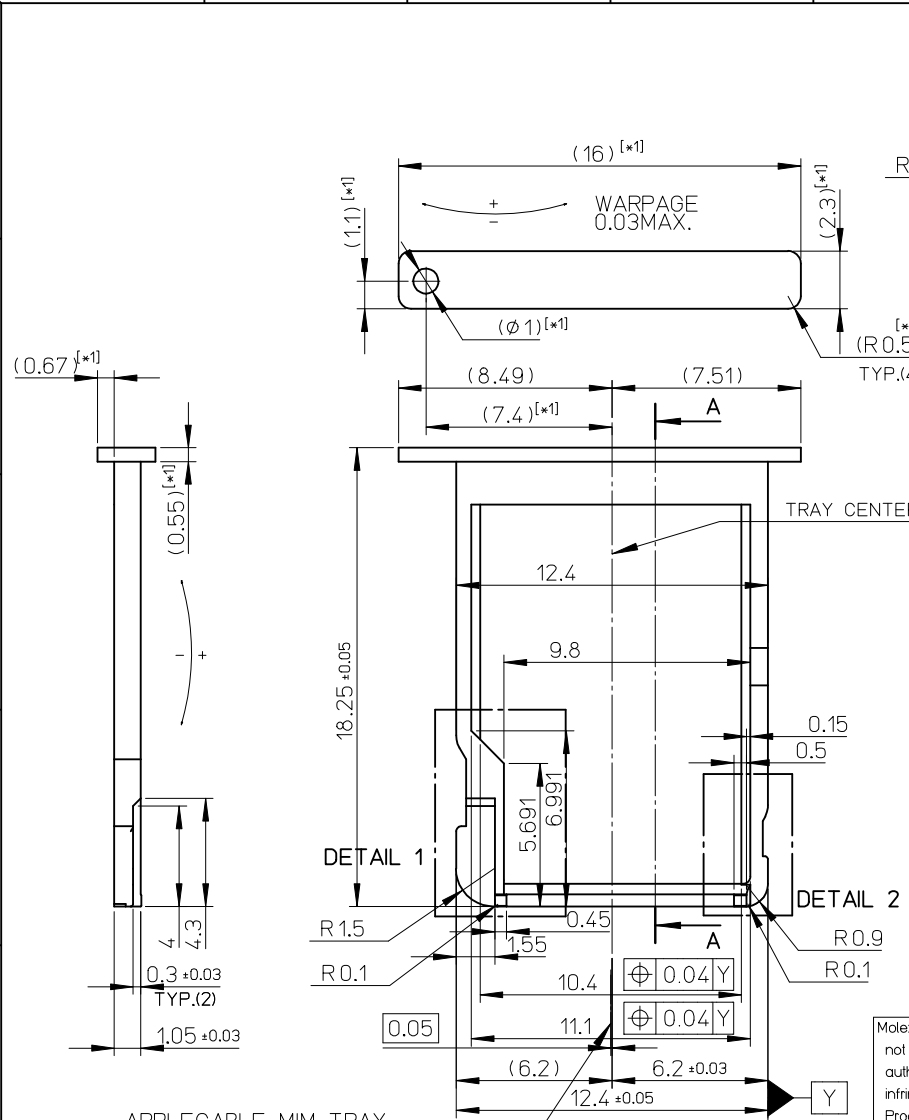
D

C

B

A

CONFIDENTIAL



APPLICABLE MIM TRAY
(REFERENCE ONLY)
TOLERANCE : ±0.05
COPRANALITY 0.05MAX
SURFACE ROUGHNESS : Ra=1 μm MAX.

[x1]CUSTOMER CAN DECIDE THIS DIMENSION.
REFERENCE ONLY
There is a proposed drawing for concept,
so the dimensions are subject to change without notice.
Also, this model is tentative, and has the possibility of changing.

Molex shall not be responsible for any infringement to the extent such infringement is the result of (a) use of the Product(s) in combination with any other products not provided by Molex if the infringement would not have occurred but for such combination, (b) any alteration or modification of the Product(s) not undertaken or authorized by Molex if the infringement would not have occurred but for such alteration or modification, (c) Molex's compliance with Buyer's specifications if the infringement would not have occurred but for such compliance, or (d) Buyer's failure to comply with Molex's instructions regarded as necessary to render the Product(s) non-infringing if the infringement would not have occurred if Buyer would have complied with Molex's instructions.

RELEASED EC NO: J2014-1153 DRWN: YMATSUMOTO 2014/01/24 CHKD: SAKIYAMA 2014/01/24 APPR: NUKITA 2014/01/31	GENERAL TOLERANCES (UNLESS SPECIFIED)		DIMENSION STYLE MM ONLY	SCALE 5:1	DESIGN UNITS METRIC	THIRD ANGLE PROJECTION	
	10 UNDER ±0.2 10 OVER 30 UNDER ±0.25 30 OVER ±0.3	ANGULAR ±1° DRAFT WHERE APPLICABLE MUST REMAIN WITHIN DIMENSIONS	DRAWN BY YMATSUMOTO 2014/01/24 CHECKED BY SAKIYAMA 2014/01/24 APPROVED BY NUKITA 2014/01/31	TITLE MICRO SD CONN. BAR-PUSH TYPE WITH TRAY ASSY	DOCUMENT NO. SD-504528-003		
	SEE SHEET 1		MATERIAL NO.	SHEET NO. 3 OF 3			
	THIS DRAWING CONTAINS INFORMATION THAT IS PROPRIETARY TO MOLEX INCORPORATED AND SHOULD NOT BE USED WITHOUT WRITTEN PERMISSION						

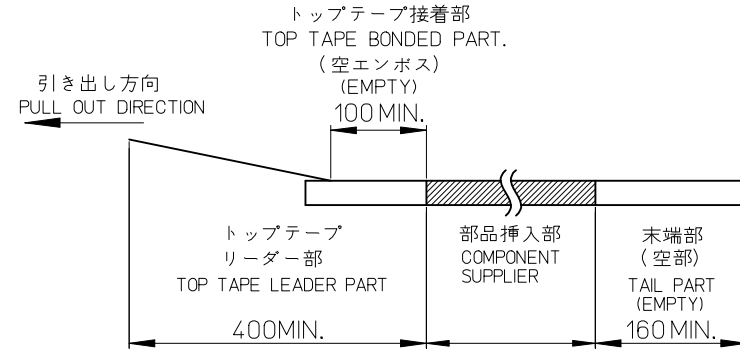
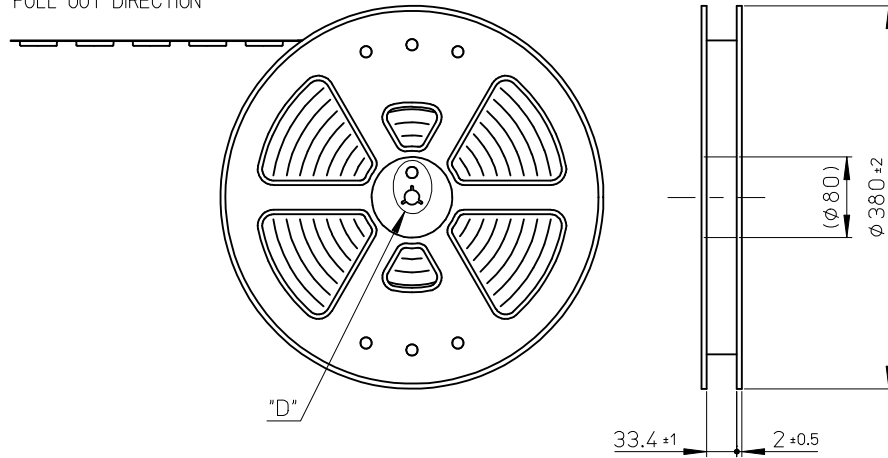
9 8 7 6 5 4 3 2

NOTES

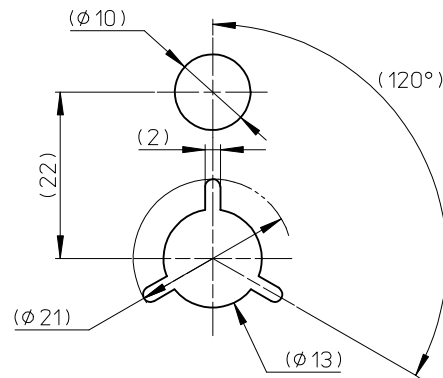
CONFIDENTIAL

- 製品詳細寸法は製品単体図面を参照して下さい。
FOR DETAIL OF CONNECTOR DIMENSIONS, PLEASE SEE THE DRAWING OF CONNECTOR ITSELF (NOT PACKAGED)
- 梱包数量: 1400個/リール
NUMBER OF CONNECTORS: 1400 PCS/REEL.
- リードテープ長さ LEAD TAPE LENGTH.

引き出し方向
PULL OUT DIRECTION



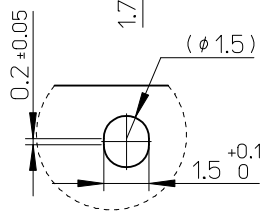
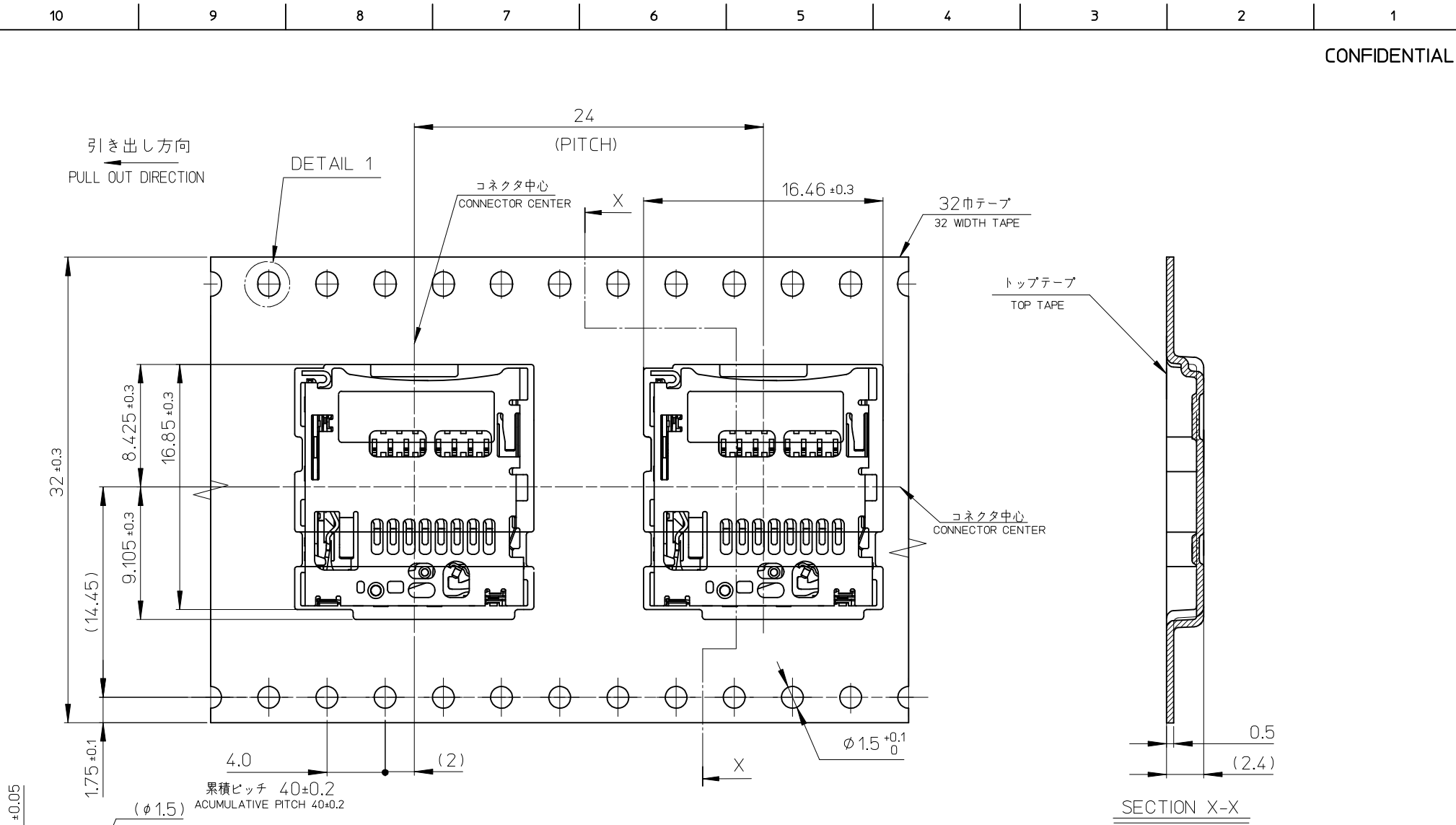
- カバーテープの剥離強度については、IEC60286-3に準拠
Cover tape peel force is defined by IEC60286-3.
- 材料 MATERIAL
キャリアテープ(CARRIER TAPE): ポリスチレン (POLYSTYRENE)
トップテープ(TOP TAPE): PET, PE, PEF
リール(REEL): ポリスチレン(PS)<リサイクル材含む>
POLYSTYRENE (PS)<RECYCLE MATERIAL CONTAINED>
- ELV AND RoHS COMPLIANT



DETAIL "D"

504528-0821	504528-0892	504528-08**
CONNECTOR ONLY		MODEL NO.
ORDER No. オーダー番号		DESIGN UNITS
MATERIAL NO.		THIRD ANGLE PROJECTION

RELEASED EC NO: J2014-1153 DRWN: YMATSUMOTO 2014/01/24 CHKD: SAKIYAMA 2014/01/24 APPR: NUKITA 2014/01/31	GENERAL TOLERANCES (UNLESS SPECIFIED)		DIMENSION STYLE MM ONLY		SCALE ---	DESIGN UNITS METRIC	THIRD ANGLE PROJECTION
	10 UNDER	± 0.2	DRAWN BY YMATSUMOTO	DATE 2014/01/24	TITLE MICRO SD CARD CONN. BAR-PUSH WITH TRAY EMBOSSSED TAPE PACKAGE		
	10 OVER 30 UNDER	± 0.25	CHECKED BY SAKIYAMA	DATE 2014/01/24	molex DOCUMENT NO. SD-504528-004 SHEET NO. 1 OF 2		
	30 OVER	± 0.3	APPROVED BY NUKITA	DATE 2014/01/31			
ANGULAR ± 1 °	DRAFT WHERE APPLICABLE MUST REMAIN WITHIN DIMENSIONS		MATERIAL NO. SEE CHART		THIS DRAWING CONTAINS INFORMATION THAT IS PROPRIETARY TO MOLEX INCORPORATED AND SHOULD NOT BE USED WITHOUT WRITTEN PERMISSION		



DETAIL 1
SCALE 3:1

RELEASED EC NO: J2014-1153 DRWN: YMATSUMOTO 2014/01/24 CHKD: SAKIYAMA 2014/01/24 APPR: NUKITA 2014/01/31	GENERAL TOLERANCES (UNLESS SPECIFIED)		DIMENSION STYLE MM ONLY	SCALE ---	DESIGN UNITS METRIC	THIRD ANGLE PROJECTION
	10 UNDER	± 0.2	DRAWN BY YMATSUMOTO	DATE 2014/01/24	TITLE MICRO SD CARD CONN. BAR-PUSH WITH TRAY EMBOSSSED TAPE PACKAGE	
	10 OVER 30 UNDER	± 0.25	CHECKED BY SAKIYAMA	DATE 2014/01/24	molex DOCUMENT NO. SD-504528-004 SHEET NO. 2 OF 2	
	30 OVER	± 0.3	APPROVED BY NUKITA	DATE 2014/01/31		
ANGULAR	± 1 °	MATERIAL NO. SEE SHEET 1		THIS DRAWING CONTAINS INFORMATION THAT IS PROPRIETARY TO MOLEX INCORPORATED AND SHOULD NOT BE USED WITHOUT WRITTEN PERMISSION		
DRAFT WHERE APPLICABLE MUST REMAIN WITHIN DIMENSIONS						