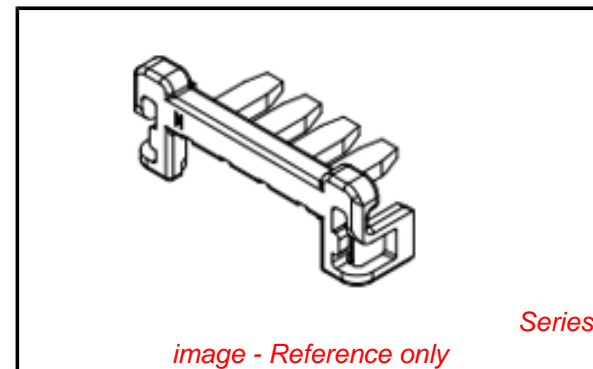


PLEASE CHECK WWW.MOLEX.COM FOR LATEST PART INFORMATION

Part Number: [505152-0500](#)
Status: **Active**
Overview: [DuraClik™ Connector System](#)
Description: [DuraClik™ TPA Wire-to-Board 2-Way Retainer, 5 Circuits](#)

Documents:

3D Model	Application Specification AS-505151-002 (PDF)
Drawing (PDF)	Packaging Specification SPK-505152-001 (PDF)
Product Specification PS-505151-001 (PDF)	RoHS Certificate of Compliance (PDF)
Application Specification AS-505151-001 (PDF)	



General

Product Family	Accessories
Series	505152
Component Type	Retainer
Overview	DuraClik™ Connector System
Product Name	DuraClik™
UPC	887191735177

Physical

Circuits (Loaded)	5
Lock to Mating Part	Yes
Material - Resin	PBT
Net Weight	67.300/mg
Number of Rows	1
Packaging Type	Bag
Polarized to Mating Part	Yes
Temperature Range - Operating	-40°C to +125°C
Termination Interface: Style	Crimp or Compression

Electrical

Current - Maximum per Contact	3A
-------------------------------	----

Material Info

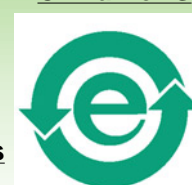
Reference - Drawing Numbers

Application Specification	AS-505151-001, AS-505151-002
Packaging Specification	SPK-505152-001
Product Specification	PS-505151-001, RPS-505151-001, RPS-505151-002, RPS-505151-003, RPS-505151-004
Sales Drawing	SD-505152-001

EU RoHS

**ELV and RoHS
Compliant**
REACH SVHC
Contains SVHC: No
Low-Halogen Status
Not Low-Halogen

China RoHS



Need more information on product environmental compliance?

Email productcompliance@molex.com
 For a multiple part number RoHS Certificate of Compliance, [click here](#)

Please visit the [Contact Us](#) section for any non-product compliance questions.

Search Parts in this Series
[505152Series](#)

Use With

[505151](#) DuraClik™ TPA Wire-to-Board Housing, [505153](#) DuraClik™ TPA Wire-to-Board Terminal