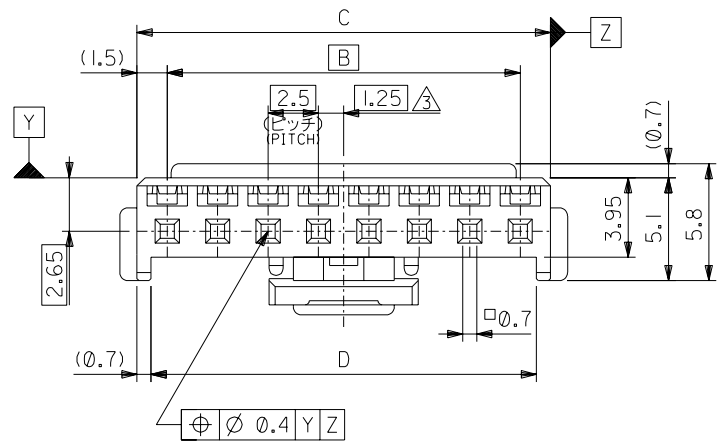
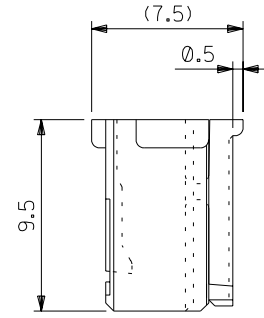
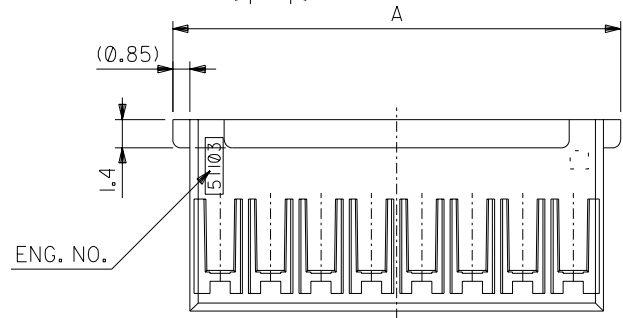


ターミナル装着状態図
TERMINAL ASSEMBLY DRAWING

注記 NOTES

- △ 適合ターミナル：50351-8*00
APPLICABLE TERMINAL：50351-8*00
- 2. 嵌合相手：53375,53376,53388,53389 シリーズ
MATE WITH：53375,53376,53388,53389 SERIES
- △ 偶数極の製品に適用。
APPLY EVEN CIRCUIT PRODUCTS.
- 4. 製品型番の下1桁は色を表す。
LAST DIGIT OF PART NUMBER INDICATES COLOR.
1：黒 BLACK 2：赤 RED 3：黄 YELLOW
4：青 BLUE 5：灰 GRAY 6：緑 GREEN
7：茶 BROWN 8：橙 ORANGE 9：紫 VIOLET

3-15 極に適用
FOR 3-15 CKTS.

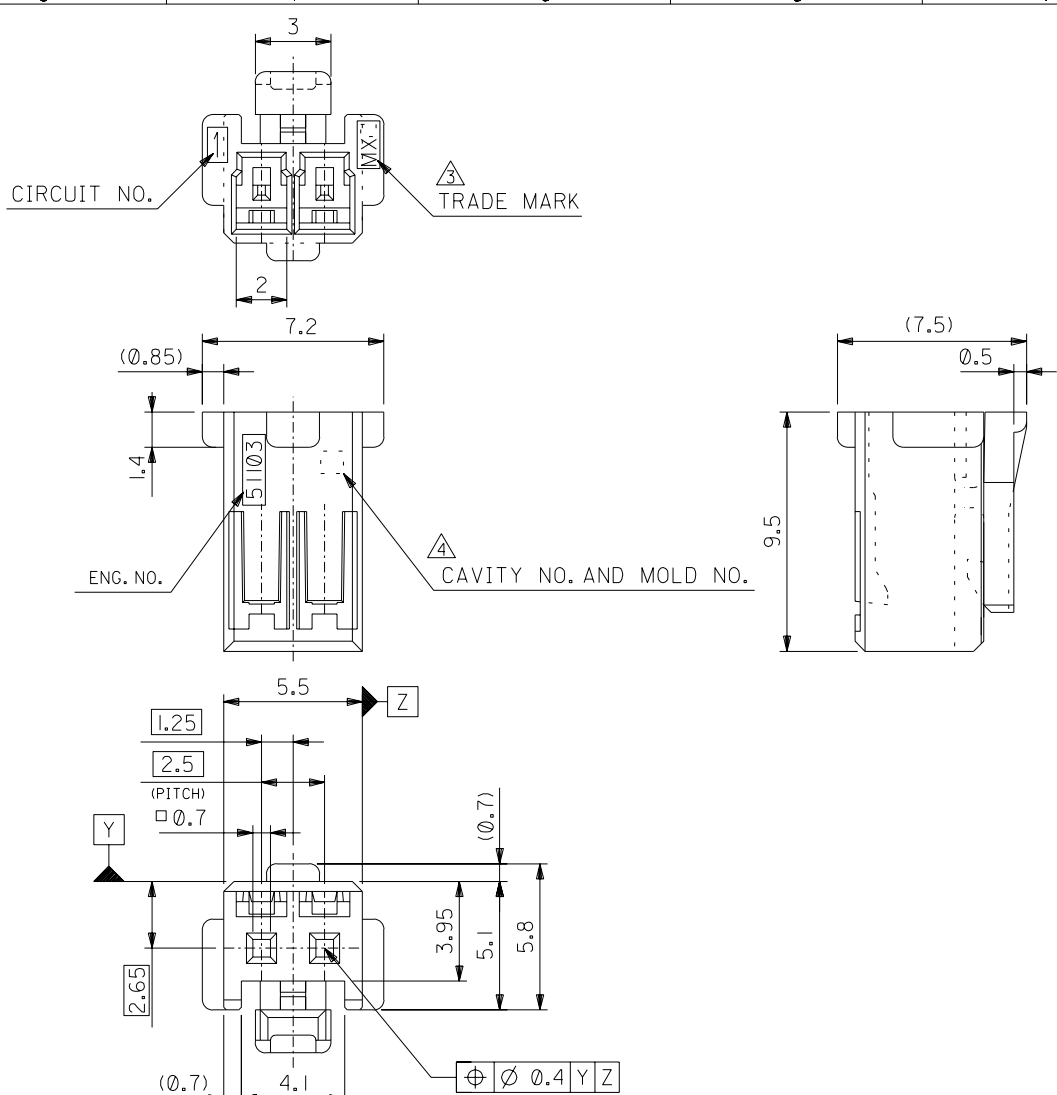


5	7.4	36.6	38	35	39.7	51103-156*	15
↑	↑	34.1	35.5	32.5	37.2	↑ -146*	14
		31.6	33	30	34.7	↑ -136*	13
		29.1	30.5	27.5	32.2	↑ -126*	12
		26.6	28	25	29.7	↑ -116*	11
		24.1	25.5	22.5	27.2	↑ -106*	10
		21.6	23	20	24.7	↑ -096*	9
		19.1	20.5	17.5	22.2	↑ -086*	8
		16.6	18	15	19.7	↑ -076*	7
		14.1	15.5	12.5	17.2	↑ -066*	6
↓	↓	11.6	13	10	14.7	↑ -056*	5
5	7.4	9.1	10.5	7.5	12.2	↓ -046*	4
3	5	6.6	8	5	9.7	51103-036*	3
F	E	D	C	B	A	MATERIAL NO.	CIRCUIT

DO NOT SCALE DRAWING

64 NO. DRAWN: CH'K: APPR: 63 NO. DRAWN: CH'K: APPR: 62 NO. DRAWN: CH'K: APPR: REVISED 61 NO. J2002-3132 DRWN: S.MATSUZAKI '01/6/14 CH'K: K.ASAKAWA '01/6/17 APPR: T.YAMAGUCHI '01/6/17 RELEASED 60 NO. J2002-0450 DRWN: S.MATSUZAKI '01/8/28 CH'K: K.KASAHARA '01/8/29 APPR: T.YAMAGUCHI '01/8/29	MATERIAL 材料 ポリエステル (PBT)、充填材なし POLYESTER (PBT), UNFILLED, UL94V-0	GENERAL TOLERANCES: (UNLESS SPECIFIED) 一般公差 10 UNDER 未満 ±0.2 10 OVER 30 UNDER 未満 ±0.25 30 OVER 以上 ±0.3 ANGLE 角度 ±3°	SCALE 5 : 1 DESIGN UNITS mm INCH 3RD ANGLE PROJECTION	DRAWN BY & DATE S.MATSUZAKI '01/ 8/28 CHECKED BY & DATE K.ASAKAWA '02/ 6/17 APPROVED BY & DATE T.YAMAGUCHI '02/ 6/17	TITLE: 2.5 WIRE TO BOARD CONN. HOUSING (POSITIVE LOCK)	DIMENSIONS: <input type="checkbox"/> mm <input type="checkbox"/> INCH <input checked="" type="checkbox"/> mm ONLY	SHT 2 REV REVERSE ON CAD ONLY

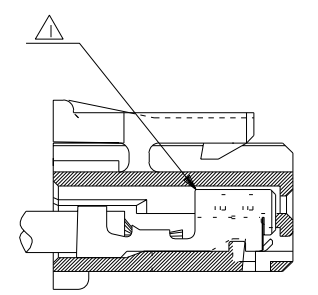
DWG. NO. SD-51103-020



注記 NOTES

- ① 適合ターミナル：50351-8*00
APPLICABLE TERMINAL：50351-8*00
- 2. 嵌合相手：53464 シリーズ
MATE WITH：53464 SERIES.
- ③ MX Jと表示。
INDICATE MXJ.
- ④ キャビティー番号：1桁～2桁の数字
金型番号：アルファベット1文字にて構成。(例. 1A, 10B)
FORMED BY 1 DIGIT TO 2 DIGIT NUMBERS (TO CAVITY NO.)
AND BY 1 LETTER OF ALPHABET (TO MOLD NO.).
(e.g. 1A, 10B)
- 5. 製品番号の末尾は製品の色を示す
LAST NUMBER OF DWG.NO. MEANS PART COLLER.

51103-**25
色番号
COLLER CODE
5 蛍光灰色 GRAY



ターミナル装着状態図
TERMINAL ASSEMBLY DRAWING

51103-0225	2
MATERIAL NO.	NO. OF CIRCUIT

DIMENSIONS:		SHT	REV
<input type="checkbox"/> mm	<input type="checkbox"/> INCH	<input type="checkbox"/>	<input type="checkbox"/>
UNLESS OTHERWISE SPECIFIED		BASED ON CAD ONLY	

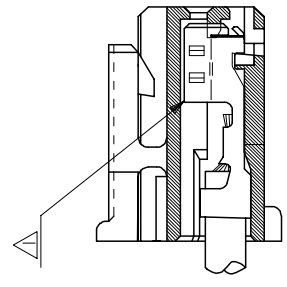
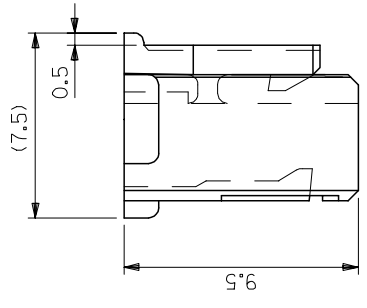
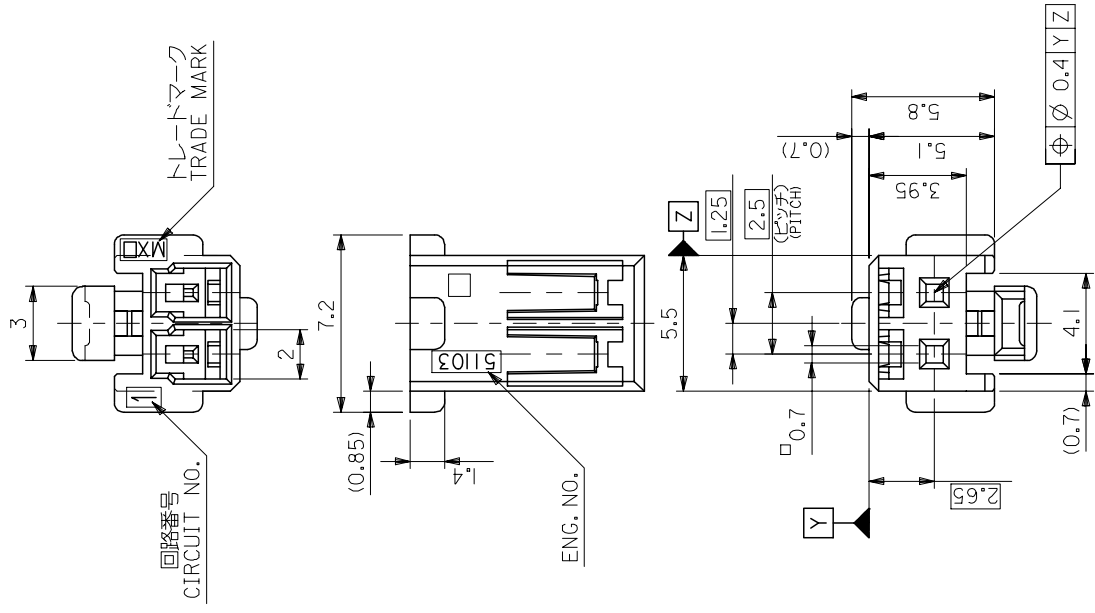
DO NOT SCALE DRAWING	②64NO. DRWN: CH'K: APPR:	②63NO. DRWN: CH'K: APPR:	②62NO. DRWN: CH'K: APPR:	②61NO. DRWN: CH'K: APPR:	RELEASED 02/11/22 ②60NO. J2003-1451 DRWN: N.IITO CH'K: K.ASAKAWA APPR: T.YAMAGUCHI	MATERIAL 材料 POLYBUTYLENE TEREPHTHALATE UL94V-0	GENERAL TOLERANCES: (UNLESS SPECIFIED) 一般公差	SCALE 5 : 1	DESIGN UNITS <input checked="" type="checkbox"/> mm <input type="checkbox"/> INCH	<input checked="" type="checkbox"/> 1ST ANGLE PROJECTION	DRAWN BY & DATE N.IITO '02/11/22	TITLE: 2.5 WIRE TO BOARD CONN. HOUSING (POSITIVE LOCK)	
	WIRE RANGE 適用線径範囲	FINISH 仕上げ	INS. RANGE 被覆外径	①	① UNDER 未満 ① OVER 以上	① UNDER 未満 ① OVER 以上	① UNDER 未満 ① OVER 以上	① UNDER 未満 ① OVER 以上	DRAWN BY & DATE N.IITO '02/11/22	CHECKED BY & DATE K.ASAKAWA '02/11/22	APPROVED BY & DATE T.YAMAGUCHI '02/11/22	MOLEX MOLEX INCORPORATED	MATERIAL NO. SEE CHART
	CAD FILENAME SD-51103-020.S01	CAD FILENAME SD-51103-020.S01	CAD FILENAME SD-51103-020.S01	CAD FILENAME SD-51103-020.S01	CAD FILENAME SD-51103-020.S01	CAD FILENAME SD-51103-020.S01	CAD FILENAME SD-51103-020.S01	CAD FILENAME SD-51103-020.S01	CAD FILENAME SD-51103-020.S01	CAD FILENAME SD-51103-020.S01	CAD FILENAME SD-51103-020.S01	CAD FILENAME SD-51103-020.S01	CAD FILENAME SD-51103-020.S01
	CAD FILENAME SD-51103-020.S01	CAD FILENAME SD-51103-020.S01	CAD FILENAME SD-51103-020.S01	CAD FILENAME SD-51103-020.S01	CAD FILENAME SD-51103-020.S01	CAD FILENAME SD-51103-020.S01	CAD FILENAME SD-51103-020.S01	CAD FILENAME SD-51103-020.S01	CAD FILENAME SD-51103-020.S01	CAD FILENAME SD-51103-020.S01	CAD FILENAME SD-51103-020.S01	CAD FILENAME SD-51103-020.S01	CAD FILENAME SD-51103-020.S01

THIS DRAWING CONTAINS INFORMATION THAT IS PROPRIETARY TO MOLEX INCORPORATED AND SHOULD NOT BE USED WITHOUT WRITTEN PERMISSION.

10 9 8 7 6 5 4 3 2 1

注記 NOTES

- △ 適合ターミナル: 50351-8*00
APPLICABLE TERMINAL : 50351-8*00
- 2. 嵌合相手: 53375,53426 シリーズ
MATE WITH : 53375,53426 SERIES
- △ 偶数極の製品に適用。
APPLY EVEN CIRCUIT PRODUCTS.
- 4. 製品型番の下1桁は色を表す。
LAST DIGIT OF PART NUMBER INDICATES COLOR.
- 0 : 白 WHITE 1 : 黒 BLACK 2 : 赤 RED
3 : 黄 YELLOW 4 : 青 BLUE



ターミナル装着状態図
TERMINAL ASSEMBLY DRAWING

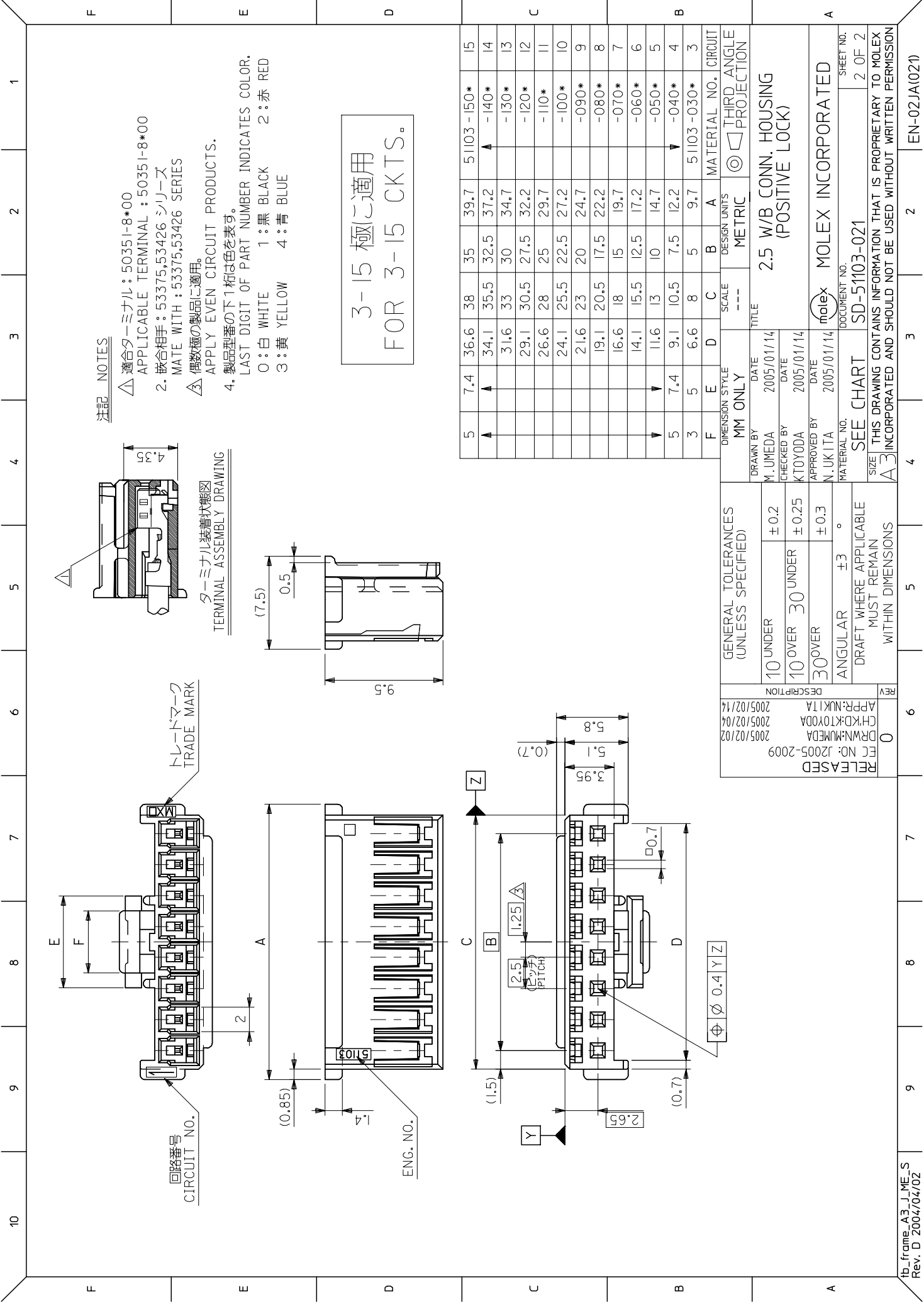
REV	DESCRIPTION
0	RELEASED EC NO: J2005-2009 DRWN: MUMEDA 2005/02/02 CHKD: KTOYODA 2005/02/04 APP: NUKITA 2005/02/14

GENERAL TOLERANCES (UNLESS SPECIFIED)		
10 UNDER	± 0.2	
10 OVER	30 UNDER	± 0.25
30 OVER	± 0.3	
ANGULAR	± 3 °	
DRAFT WHERE APPLICABLE MUST REMAIN WITHIN DIMENSIONS		

DRAWN BY	M. UMEDA	DATE	2005/01/14
CHECKED BY	K. TOYODA	DATE	2005/01/14
APPROVED BY	N. UKITA	DATE	2005/01/14
MATERIAL NO.	SEE CHART		
DOCUMENT NO.	SD-51103-021		

SCALE	---
DESIGN UNITS	METRIC
TITLE	2.5 W/B CONN. HOUSING (POSITIVE LOCK)
MATERIAL NO.	51103-020*
CIRCUIT	2
THIRD ANGLE PROJECTION	☉

MOLEX INCORPORATED
SHEET NO. 1 OF 2



注記 NOTES

△ 適合ターミナル: 50351-8*00
 APPLICABLE TERMINAL : 50351-8*00

2. 嵌合相手: 53375,53426 シリーズ
 MATE WITH : 53375,53426 SERIES

△ 偶数極の製品に適用。
 APPLY EVEN CIRCUIT PRODUCTS.

4. 製品型番の下1桁は色を表す。
 LAST DIGIT OF PART NUMBER INDICATES COLOR.

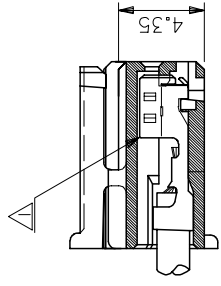
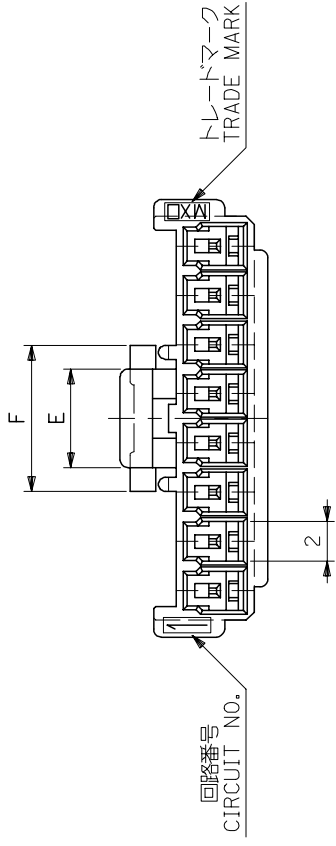
0 : 白 WHITE 1 : 黒 BLACK 2 : 赤 RED
 3 : 黄 YELLOW 4 : 青 BLUE

3-15 極に適用
 FOR 3-15 CKTS.

5	DIMENSION STYLE		SCALE		DESIGN UNITS		THIRD ANGLE PROJECTION
	MM ONLY	DATE	---	---	METRIC	---	
7.4	36.6	38	35	39.7	51103-150*	15	
▲	34.1	35.5	32.5	37.2	▲ -140*	14	
	31.6	33	30	34.7	-130*	13	
	29.1	30.5	27.5	32.2	-120*	12	
	26.6	28	25	29.7	-110*	11	
	24.1	25.5	22.5	27.2	-100*	10	
	21.6	23	20	24.7	-090*	9	
	19.1	20.5	17.5	22.2	-080*	8	
	16.6	18	15	19.7	-070*	7	
	14.1	15.5	12.5	17.2	-060*	6	
▼	11.6	13	10	14.7	-050*	5	
5	7.4	9.1	10.5	7.5	12.2	▼ -040*	4
3	5	6.6	8	5	9.7	51103-030*	3
F	E	D	C	B	A	MATERIAL NO.	CIRCUIT

GENERAL TOLERANCES (UNLESS SPECIFIED)		DRAWN BY		CHECKED BY		APPROVED BY		MATERIAL NO.	
10 UNDER	±0.2	M. UMEDA	2005/01/14	M. UMEDA	2005/01/14	N. UKITA	2005/01/14	SEE CHART	SD-51103-021
10 OVER	30 UNDER	TITLE							
30 OVER	±0.25	25 W/B CONN. HOUSING (POSITIVE LOCK)							
ANGULAR	±0.3	SCALE							
DRAFT WHERE APPLICABLE MUST REMAIN WITHIN DIMENSIONS		DOCUMENT NO.							
		MOLEX INCORPORATED							
		SHEET NO.							
		2 OF 2							
		SIZE							
		THIS DRAWING CONTAINS INFORMATION THAT IS PROPRIETARY TO MOLEX INCORPORATED AND SHOULD NOT BE USED WITHOUT WRITTEN PERMISSION							

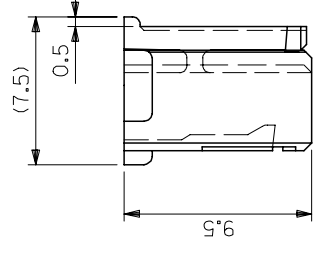
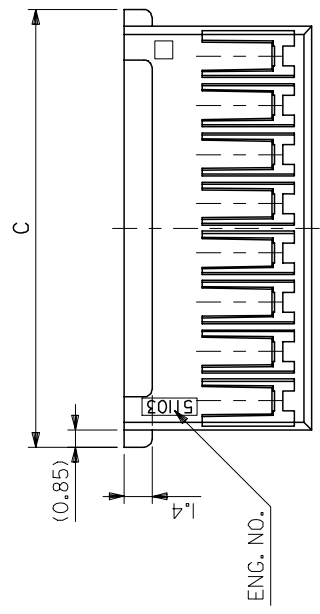
10 9 8 7 6 5 4 3 2 1



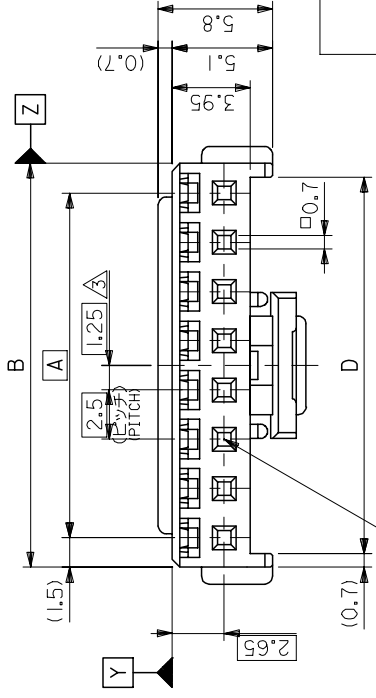
ターミナル装着状態図
TERMINAL ASSEMBLY DRAWING

注記 NOTES

- △ 適合ターミナル：50351-8*00
APPLICABLE TERMINAL：50351-8*00
- 2. 嵌合相手：53375,53376,53388,53389
53426 シリーズ
MATE WITH：53375,53376,53388,53389
53426 SERIES
- △ 偶数極の製品に適用。
APPLY EVEN CIRCUIT PRODUCTS.



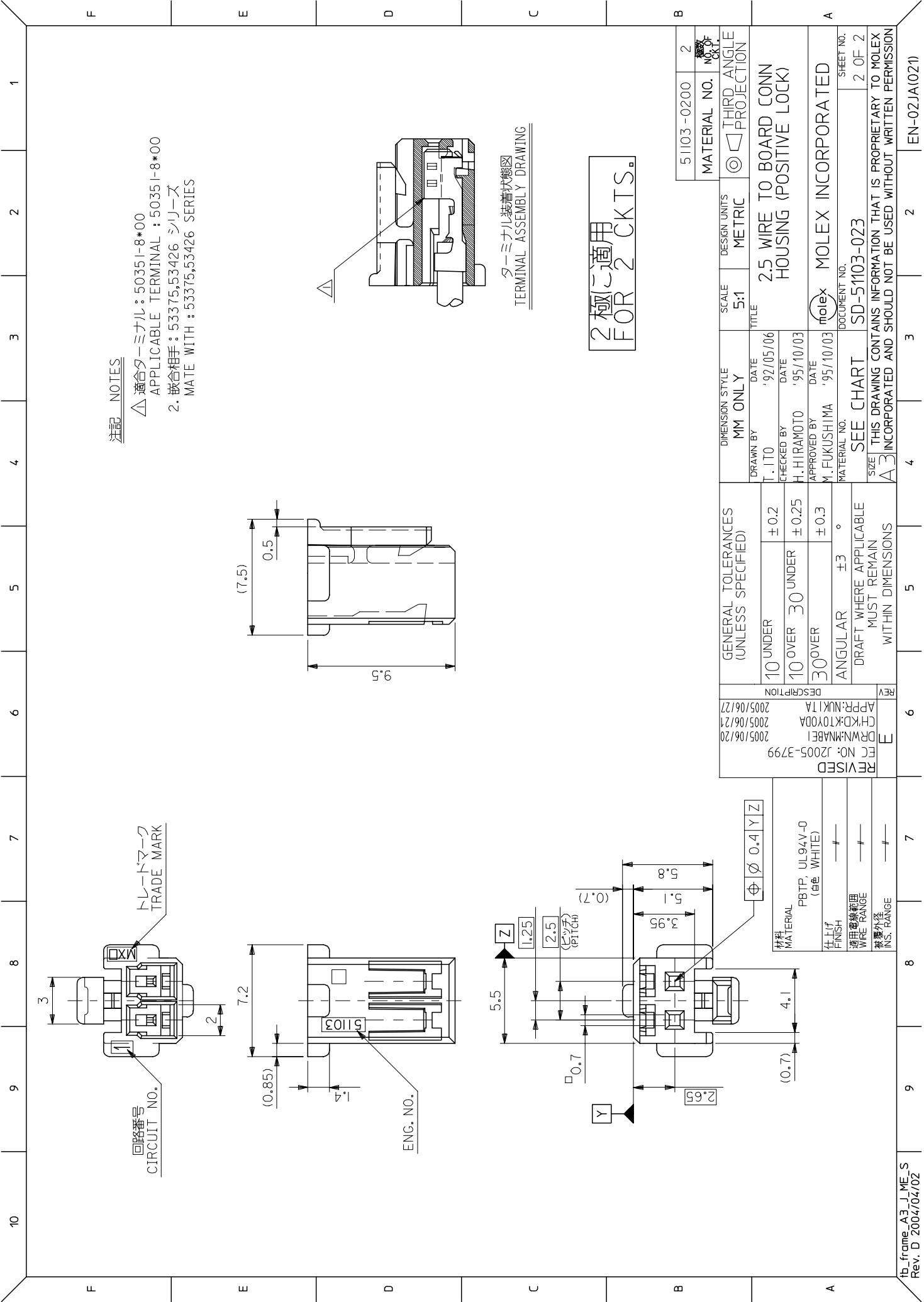
3-15 極に適用
FOR 3-15 CKTS.



7.4	5	36.6	39.7	38	35	51103-1500	15
▲	▲	34.1	37.2	35.5	32.5	▲	-1400
		31.6	34.7	33	30		-1300
		29.1	32.2	30.5	27.5		-1200
		26.6	29.7	28	25		-1100
		24.1	27.2	25.5	22.5		-1000
		21.6	24.7	23	20		-900
		19.1	22.2	20.5	17.5		-800
		16.6	19.7	18	15		-700
		14.1	17.2	15.5	12.5		-600
		11.6	14.7	13	10		-500
		9.1	12.2	10.5	7.5		-400
7.4	5	9.1	12.2	10.5	7.5	▼	-400
5	3	6.6	9.7	8	5	51103-0300	3
F	E	D	C	B	A	MATERIAL NO.	NO. OF CKT.

DIMENSION STYLE		SCALE	DESIGN UNITS	TITLE	
MM ONLY	DATE	4:1	METRIC	2.5 WIRE TO BOARD CONN HOUSING (POSITIVE LOCK)	
DRAWN BY	T. ITO	'92/05/06			
CHECKED BY	H. HIRAMOTO	'95/10/03			
APPROVED BY	M. FUKUSHIMA	'95/10/03			
MATERIAL NO.					
GENERAL TOLERANCES (UNLESS SPECIFIED)			SEE CHART		
10 UNDER	±0.2		SD-51103-023		
10 OVER	30 UNDER	±0.25			
30 OVER		±0.3			
ANGULAR	±3				
DRAFT WHERE APPLICABLE MUST REMAIN WITHIN DIMENSIONS					
DESCRIPTION		REV			
APPR: NUKITA 2005/06/27		1			
CHKD: TOYODA 2005/06/23		2			
DRWN: MNABEI 2005/06/20		3			
EC NO: J2005-3799		4			
REVISED		5			
MATERIAL		6			
PBTP UL94V-0 (色: WHITE)		7			
仕上り FINISH		8			
適用電線範囲 WIRE RANGE		9			
検査外注 INS. RANGE		10			

MOLEX INCORPORATED
DOCUMENT NO. SD-51103-023
SHEET NO. 1 OF 2



注記 NOTES

- △ 適合ターミナル : 50351-8*00
 APPLICABLE TERMINAL : 50351-8*00
- 2. 嵌合相手 : 53375,53426 シリーズ
 MATE WITH : 53375,53426 SERIES

ターミナル装着状態図
 TERMINAL ASSEMBLY DRAWING

2極に適用
 FOR 2 CKTS.

DIMENSION STYLE MM ONLY		SCALE	DESIGN UNITS	TITLE	
DRAWN BY T. ITO		5:1	METRIC	2.5 WIRE TO BOARD CONN HOUSING (POSITIVE LOCK)	
CHECKED BY H. HIRAMOTO				MOLEX INCORPORATED	
APPROVED BY M. FUKUSHIMA				DOCUMENT NO. SD-51103-023	
DATE '92/05/06				SHEET NO. 2 OF 2	
DATE '95/10/03					
MATERIAL NO. M. FUKUSHIMA					
DATE '95/10/03					
SEE CHART					
THIS DRAWING CONTAINS INFORMATION THAT IS PROPRIETARY TO MOLEX INCORPORATED AND SHOULD NOT BE USED WITHOUT WRITTEN PERMISSION					

GENERAL TOLERANCES (UNLESS SPECIFIED)	10 UNDER ±0.2 10 OVER 30 UNDER ±0.25 30 OVER ±0.3 ANGULAR ±3° DRAFT WHERE APPLICABLE MUST REMAIN WITHIN DIMENSIONS
DESCRIPTION APPR: NUKITA 2005/06/27 CHKD: KYODA 2005/06/27 DRWN: MNABE 2005/06/20 EC NO: J2005-3799 REVISED	MATERIAL PBTP UL94V-0 (色: WHITE) 仕上り FINISH 通孔導線範囲 WIRE RANGE 検査外注 INS. RANGE

51103-0200 2
 MATERIAL NO. 2
 THIRD ANGLE PROJECTION