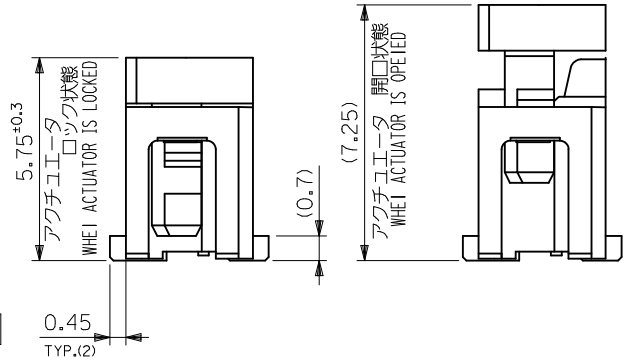
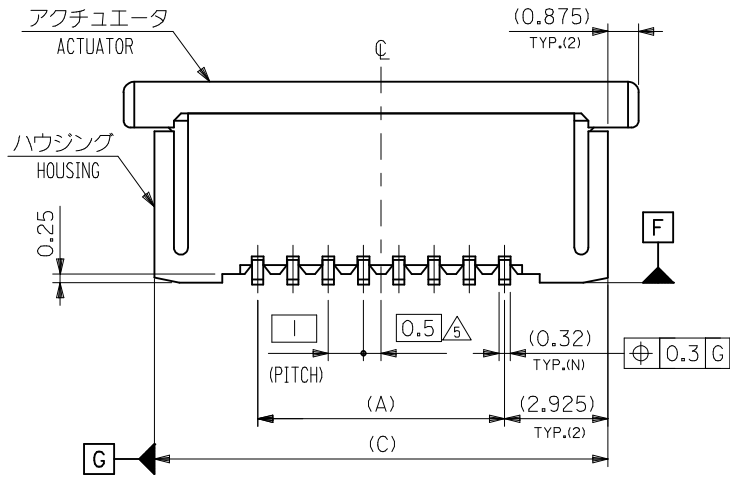
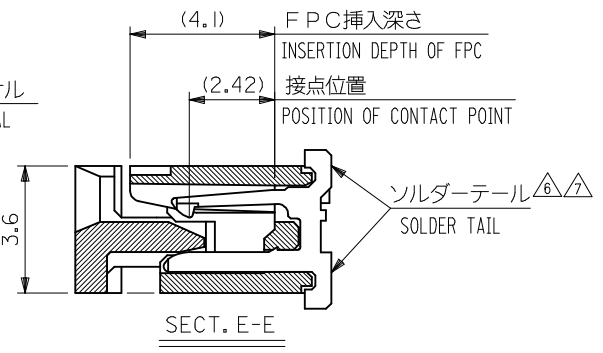
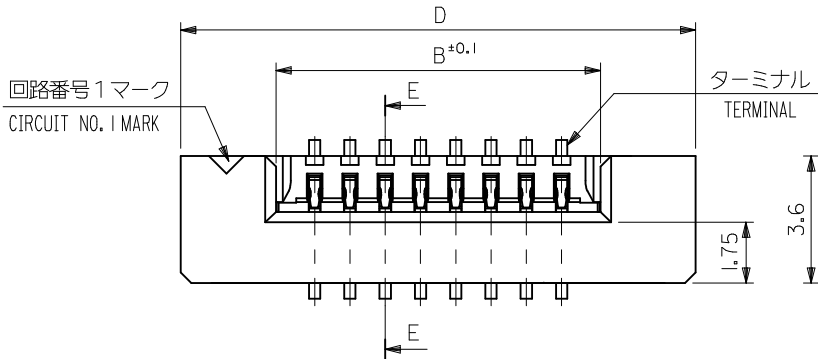


36.6	34.85	31.2	29	52610-3033	30
34.6	32.85	29.2	27	52610-2833	28
32.6	30.85	27.2	25	52610-2633	26
31.6	29.85	26.2	24	52610-2533	25
30.6	28.85	25.2	23	52610-2433	24
29.6	27.85	24.2	22	52610-2333	23
28.6	26.85	23.2	21	52610-2233	22
27.6	25.85	22.2	20	52610-2133	21
26.6	24.85	21.2	19	52610-2033	20
25.6	23.85	20.2	18	52610-1933	19
24.6	22.85	19.2	17	52610-1833	18
23.6	21.85	18.2	16	52610-1733	17
22.6	20.85	17.2	15	52610-1633	16
21.6	19.85	16.2	14	52610-1533	15
20.6	18.85	15.2	13	52610-1433	14
19.6	17.85	14.2	12	52610-1333	13
18.6	16.85	13.2	11	52610-1233	12
17.6	15.85	12.2	10	52610-1133	11
16.6	14.85	11.2	9	52610-1033	10
15.6	13.85	10.2	8	52610-0933	9
14.6	12.85	9.2	7	52610-0833	8
13.6	11.85	8.2	6	52610-0733	7
12.6	10.85	7.2	5	52610-0633	6
11.6	9.85	6.2	4	52610-0533	5
D	(C)	B	(A)	EMBOSSED PACKAGE ORDER No. オーダー番号	極数 CKT.

CONNECTOR SERIES NO. : 52610-\*\*22

REVISED EC NO. J2013-1133 DRWN:NASANUMA 2013/04/05 CHKD:KTAKAHASHI 2013/04/11 APPR:KMORIKAWA 2013/04/16	GENERAL TOLERANCES (UNLESS SPECIFIED)		DIMENSION STYLE MM ONLY		SCALE ---	DESIGN UNITS METRIC	THIRD ANGLE PROJECTION
	10 UNDER	±0.2	DRAWN BY NASANUMA	DATE 2012/09/04	TITLE 1.0 FPC CONN ZIF S/T HOUSING ASSY		
	10 OVER 30 UNDER	±0.25	CHECKED BY KTAKAHASHI	DATE 2012/09/04			
	30 OVER	±0.3	APPROVED BY KMORIKAWA	DATE 2013/03/15			
ANGULAR	±3 °	MATERIAL NO.		SEE CHART	DOCUMENT NO. SD-52610-048	SHEET NO. 1 OF 2	
DRAFT WHERE APPLICABLE MUST REMAIN WITHIN DIMENSIONS		SIZE A3	THIS DRAWING CONTAINS INFORMATION THAT IS PROPRIETARY TO MOLEX INCORPORATED AND SHOULD NOT BE USED WITHOUT WRITTEN PERMISSION				



36.6	34.85	31.2	29	52610-3033	30
34.6	32.85	29.2	27	52610-2833	28
32.6	30.85	27.2	25	52610-2633	26
31.6	29.85	26.2	24	52610-2533	25
30.6	28.85	25.2	23	52610-2433	24
29.6	27.85	24.2	22	52610-2333	23
28.6	26.85	23.2	21	52610-2233	22
27.6	25.85	22.2	20	52610-2133	21
26.6	24.85	21.2	19	52610-2033	20
25.6	23.85	20.2	18	52610-1933	19
24.6	22.85	19.2	17	52610-1833	18
23.6	21.85	18.2	16	52610-1733	17
22.6	20.85	17.2	15	52610-1633	16
21.6	19.85	16.2	14	52610-1533	15
20.6	18.85	15.2	13	52610-1433	14
19.6	17.85	14.2	12	52610-1333	13
18.6	16.85	13.2	11	52610-1233	12
17.6	15.85	12.2	10	52610-1133	11
16.6	14.85	11.2	9	52610-1033	10
15.6	13.85	10.2	8	52610-0933	9
14.6	12.85	9.2	7	52610-0833	8
13.6	11.85	8.2	6	52610-0733	7
12.6	10.85	7.2	5	52610-0633	6
11.6	9.85	6.2	4	52610-0533	5
D	(C)	B	(A)	EMBOSSED PACKAGE ORDER No. オーダー番号	極数 CKT.

CONNECTOR SERIES NO. : 52610-\*\*22

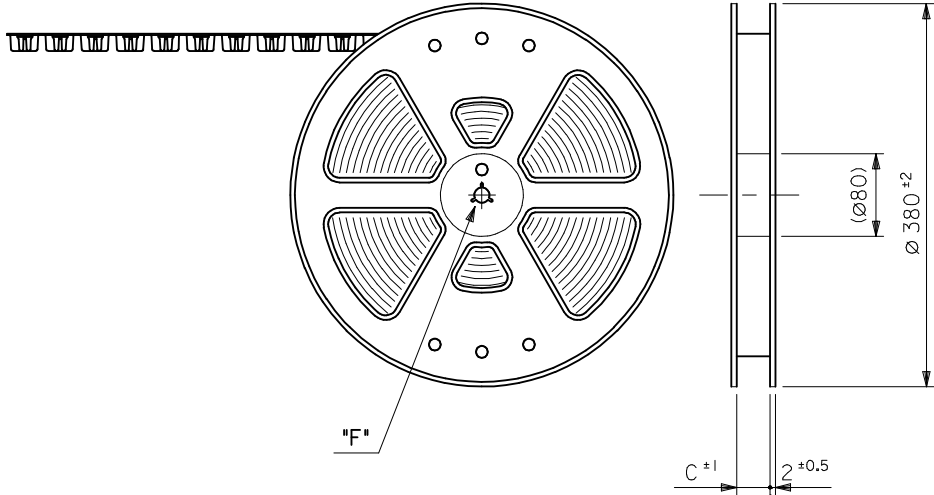
REVISED EC NO: J2013-1133 DRWN:NASANUMA 2013/04/05 CHKD:KTAKAHASHI 2013/04/11 APPR:KMORIKAWA 2013/04/16	DESCRIPTION GENERAL TOLERANCES (UNLESS SPECIFIED) 10 UNDER ±0.2 10 OVER 30 UNDER ±0.25 30 OVER ±0.3 ANGULAR ±3 ° DRAFT WHERE APPLICABLE MUST REMAIN WITHIN DIMENSIONS	DIMENSION STYLE MM ONLY	SCALE ---	DESIGN UNITS METRIC	THIRD ANGLE PROJECTION	
		DRAWN BY NASANUMA	DATE 2012/09/04	TITLE 1.0 FPC CONN ZIF S/T HOUSING ASSY		
		CHECKED BY KTAKAHASHI	DATE 2012/09/04	MATERIAL NO. SEE CHART		
		APPROVED BY KMORIKAWA	DATE 2013/03/15	DOCUMENT NO. SD-52610-048		SHEET NO. 1 OF 2



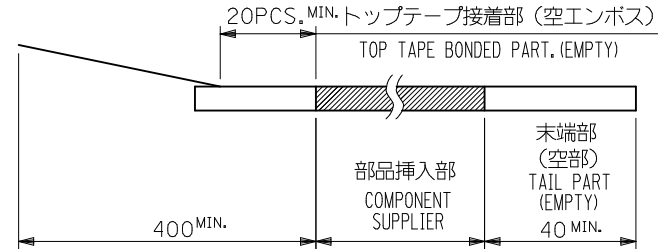
NOTES

- 52610-\*\*\*22のアクチュエータはハウジング内に押し下げた状態とする。  
詳細寸法については図面SD-52610-048をご参照ください。  
ACTUATOR OF PART NO. 52610-\*\*\*22 SHULD BE LOCKED.  
RE DETAILED DIMENSIONS, SEE SD-52610-048
- 梱包数量: 1000個/リール  
NUMBER OF CONNECTORS : 1000PCS/REEL
- リードテープ長さ  
LEAD TAPE LENGTH

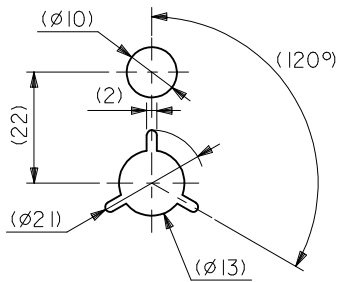
引き出し方向  
PULL OUT  
DIRECTION



引き出し方向  
PULL OUT  
DIRECTION

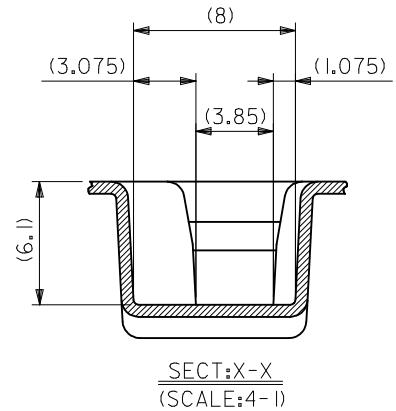
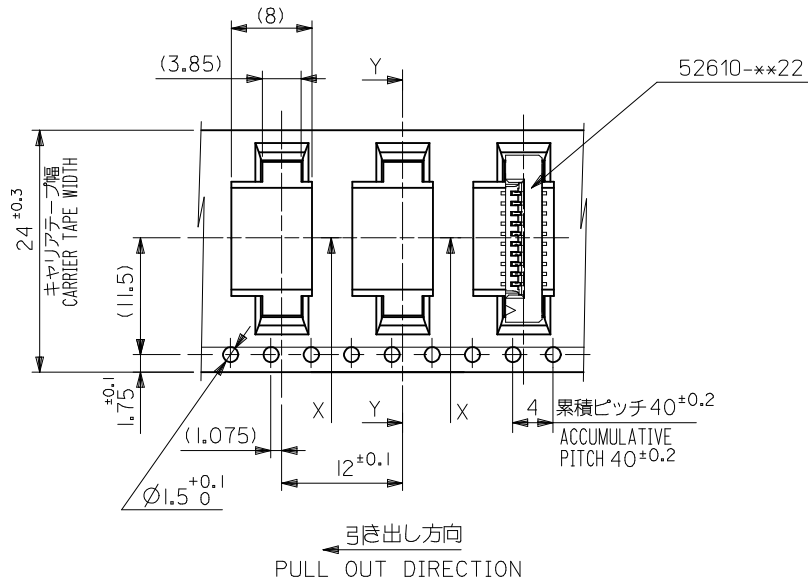
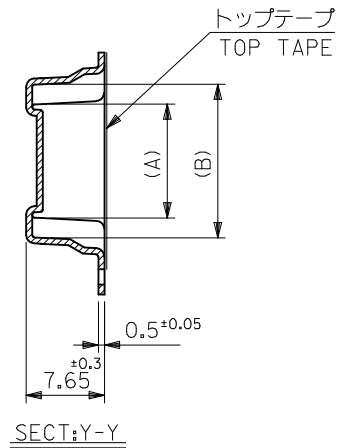


- カバーテープの剥離強度については、IEC60286-3に準拠  
COVER TAPE PEEL FORCE IS DEFINED BY IEC60286-3.
- 材料(MATERIAL)  
キャリアテープ (CARRIER TAPE) : ポリプロピレン (POLYPROPYLENE)  
トップテープ (TOP TAPE) : PET, PE, PEF  
リール(REEL) : ポリスチレン(PS) <リサイクル材を含む>  
POLYSTYREN(PS) <RECYCLE MATERIAL CONTAINED>
- ELV及びRoHS適合品  
ELV AND RoHS COMPLIANT



DETAIL "F"

RELEASED EC NO: J2013-1003 DRWN:NASANUMA 2012/09/12 CHK'D:KTAKAHASHI 2012/09/12 APPR:KMORIKAWA 2013/03/15	GENERAL TOLERANCES (UNLESS SPECIFIED)		DIMENSION STYLE MM ONLY		SCALE ---	DESIGN UNITS METRIC	THIRD ANGLE PROJECTION
	10 UNDER	± ---	DRAWN BY NASANUMA	DATE 2012/09/05	TITLE EMBOSS TAPE PACKAGED FOR 1.0 FPC CONN ZIF S/T HOUSING ASSY		
	10 OVER 30 UNDER	± ---	CHECKED BY KTAKAHASHI	DATE 2012/09/05			
	30 OVER	± ---	APPROVED BY KMORIKAWA	DATE 2013/03/15			
	ANGULAR ± --- °		MATERIAL NO.		DOCUMENT NO.		
DRAFT WHERE APPLICABLE MUST REMAIN WITHIN DIMENSIONS		SEE CHART		SD-52610-049			1 OF 3
		THIS DRAWING CONTAINS INFORMATION THAT IS PROPRIETARY TO MOLEX INCORPORATED AND SHOULD NOT BE USED WITHOUT WRITTEN PERMISSION					



24	11.5	25.5	15.25	11.32	52610-1033	10
			14.25	10.32	52610-0933	9
			13.25	9.32	52610-0833	8
			12.25	8.32	52610-0733	7
			11.25	7.32	52610-0633	6
			10.25	6.32	52610-0533	5
F	(E)	C	(B)	(A)	ENG. NO.	極数 CKT.

SEE SHEET 1 OF 3 EC NO: J2013-1003 DRWN:NASUNUMA 2012/09/12 CHKD:KTAKAHASHI 2013/03/14 APPR:KMORIKAWA 2013/03/15	DESCRIPTION REV O	GENERAL TOLERANCES (UNLESS SPECIFIED)	DIMENSION STYLE MM ONLY	SCALE ---	DESIGN UNITS METRIC	THIRD ANGLE PROJECTION
		10 UNDER ± ---	DRAWN BY NASUNUMA	DATE 2012/09/05	TITLE EMBOSS TAPE PACKAGED FOR 1.0 FPC CONN ZIF S/T HOUSING ASSY	
		10 OVER 30 UNDER ± ---	CHECKED BY KTAKAHASHI	DATE 2012/09/05		
		30 OVER ± ---	APPROVED BY KMORIKAWA	DATE 2013/03/15		
ANGULAR ± --- °	MATERIAL NO.	SEE CHART	DOCUMENT NO.	SD-52610-049	SHEET NO.	2 OF 3
DRAFT WHERE APPLICABLE MUST REMAIN WITHIN DIMENSIONS	SIZE A3	THIS DRAWING CONTAINS INFORMATION THAT IS PROPRIETARY TO MOLEX INCORPORATED AND SHOULD NOT BE USED WITHOUT WRITTEN PERMISSION				

10 9 8 7 6 5 4 3 2 1

F

E

D

C

B

A

F

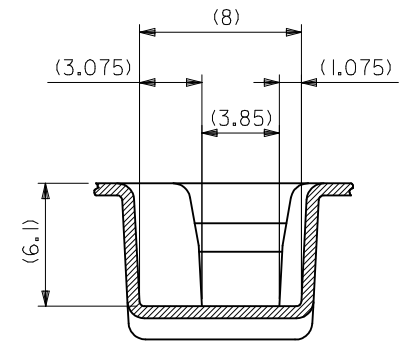
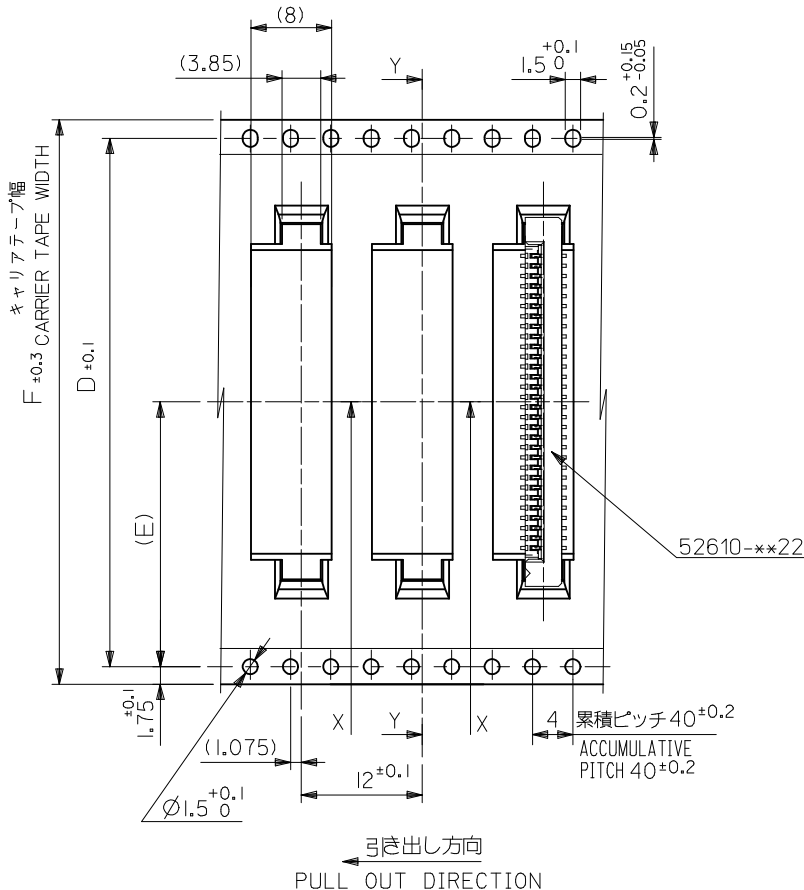
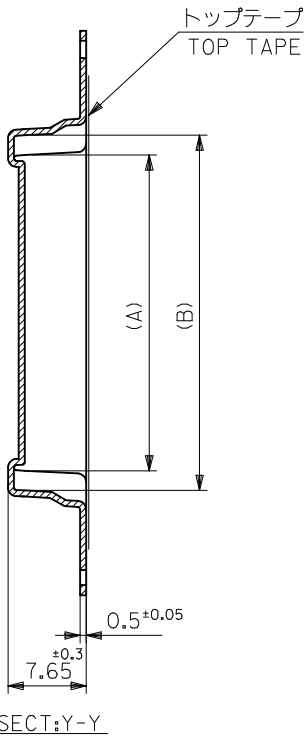
E

D

C

B

A



SECT:X-X  
(SCALE:4-1)

56	26.2	52.4	57.5	35.25	31.32	52610-3033	30
				33.25	29.32	52610-2833	28
44	20.2	40.4	46.5	31.25	27.32	52610-2633	26
				30.25	26.32	52610-2533	25
				29.25	25.32	52610-2433	24
				28.25	24.32	52610-2333	23
				27.25	23.32	52610-2233	22
				26.25	22.32	52610-2133	21
				25.25	21.32	52610-2033	20
32	33.5	33.5	33.5	24.25	20.32	52610-1933	19
				23.25	19.32	52610-1833	18
				22.25	18.32	52610-1733	17
				21.25	17.32	52610-1633	16
				20.25	16.32	52610-1533	15
				19.25	15.32	52610-1433	14
				18.25	14.32	52610-1333	13
				17.25	13.32	52610-1233	12
				16.25	12.32	52610-1133	11
F	(E)	D	C	(B)	(A)	ENG. NO.	極数 CKT.

SEE SHEET 1 OF 3 EC NO: J2013-1003 DRWN:NASANUMA 2012/09/13 CHK'D:KAKAHASHI 2013/03/14 APPR:KMORIKAWA 2013/03/15	GENERAL TOLERANCES (UNLESS SPECIFIED)		DIMENSION STYLE MM ONLY		SCALE ---		DESIGN UNITS METRIC		THIRD ANGLE PROJECTION	
	10 UNDER	±---	DRAWN BY	DATE	TITLE					
	10 OVER 30 UNDER	±---	NASANUMA	2012/09/05	EMBOSSED TAPE PACKAGED FOR 1.0 FPC CONN ZIF S/T HOUSING ASSY <b>molex</b>					
	30 OVER	±---	CHECKED BY	DATE						
	ANGULAR	±---°	KTAKAHASHI	2012/09/05						
DRAFT WHERE APPLICABLE MUST REMAIN WITHIN DIMENSIONS		APPROVED BY	DATE	DOCUMENT NO.		SHEET NO.				
		KMORIKAWA	2013/03/15	SEE CHART		SD-52610-049		3 OF 3		
		MATERIAL NO.		THIS DRAWING CONTAINS INFORMATION THAT IS PROPRIETARY TO MOLEX INCORPORATED AND SHOULD NOT BE USED WITHOUT WRITTEN PERMISSION						

9 8 7 6 5 4 3 2