

**PLEASE CHECK WWW.MOLEX.COM FOR LATEST PART INFORMATION**

**Part Number:** [5601230300](#)  
**Status:** **Active**  
**Overview:** [DuraClik™ Connector System](#)  
**Description:** [DuraClik™ ISL Wire-to-Board Receptacle Housing, Single Row, White, 3 Circuits](#)

**Documents:**

[3D Model](#) [RoHS Certificate of Compliance \(PDF\)](#)  
[Drawing \(PDF\)](#)

**General**

Product Family	Crimp Housings
Series	560123
Application	Signal, Wire-to-Board
Overview	<a href="#">DuraClik™ Connector System</a>
Product Name	DuraClik™
UPC	889056009539

**Physical**

Circuits (maximum)	3
Color - Resin	White
Gender	Receptacle
Glow-Wire Compliant	No
Keying to Mating Part	Yes
Lock to Mating Part	Yes
Material - Resin	PBT
Net Weight	0.219/g
Number of Rows	1
Packaging Type	Tray
Panel Mount	No
Pitch - Mating Interface	2.00mm
Polarized to Mating Part	Yes
Ports	3
Stackable	No
Temperature Range - Operating	-40°C to +125°C

**Electrical**

Current - Maximum per Contact	3.0A
-------------------------------	------

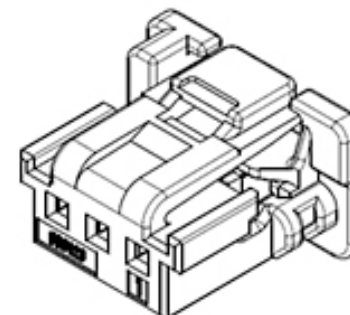
**Solder Process Data**

Lead-freeProcess Capability	N/A
-----------------------------	-----

**Material Info**

**Reference - Drawing Numbers**

Sales Drawing	SD-560123-003
---------------	---------------



*Series image - Reference only*

**EU ELV**

**Compliant**

**EU RoHS**

**Compliant**

**REACH SVHC**

Not Contained Per  
-ED/79/2015 (17  
December 2015)

**Halogen-Free**

**Status**

**Not Low-Halogen**

**Need more information on product environmental compliance?**

Email [productcompliance@molex.com](mailto:productcompliance@molex.com)  
Please visit the [Contact Us](#) section for any non-product compliance questions.

China ROHS

ELV

Not Relevant

Compliant

**Search Parts in this Series**

[560123](#) Series

**Mates With**

[502352](#) Right-Angle DuraClik™ Wire-to-Board Header, [560020](#) Vertical DuraClik™ Wire-to-Board Header

**Use With**

[560124](#) DuraClik™ ISL Terminal  
[560125](#) DuraClik™ ISL Retainer