

MATERIALS AND FINISHES

BODY, CAP: ZINC ALLOY
PLATED NICKEL

CENTER CONTACT: PHOSPHOR BRONZE
PLATED GOLD

INSULATOR: POLYPROPYLENE(94V0)

BOARD LOCK: PHOSPHOR BRONZE
PLATED TIN

SOLDER TAIL: COPPER OVER STEEL
PLATED TIN

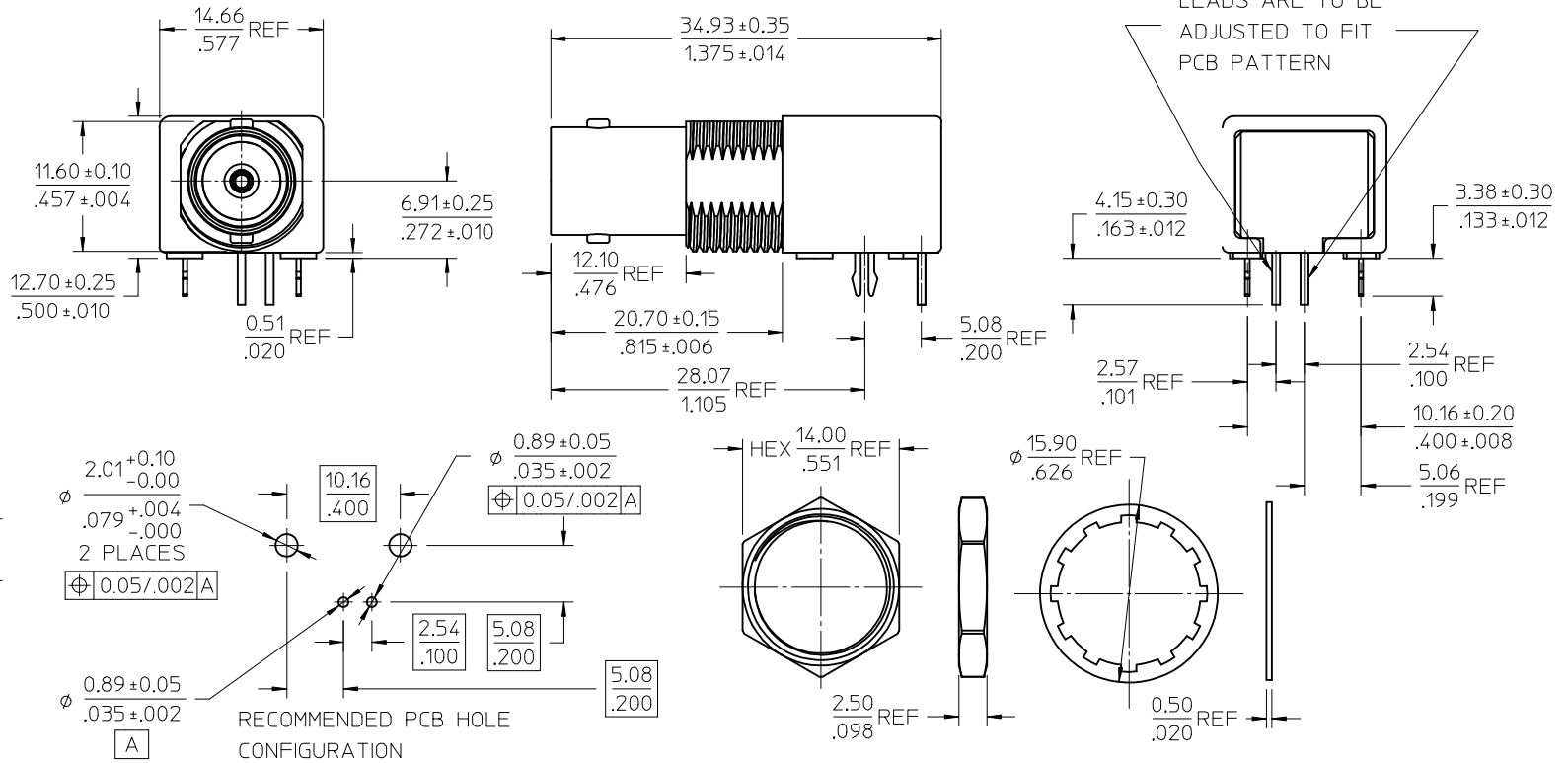
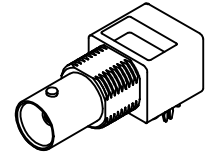
LOCKWASHER: PHOSPHOR BRONZE
PLATED NICKEL

JAM NUT: BRASS
PLATED NICKEL

BNC JACK
75 OHM
INTERFACE

1/2-28 UNEF-2A

TOP VIEW

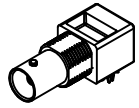


PS-89675-202	PRODUCT SPECIFICATION
SPECIFICATION	DESCRIPTION

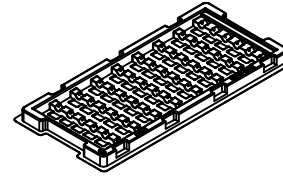
73171-3511	WITH NUT, WASHER
73171-3510	W/O NUT, WASHER
PART NO.	DESCRIPTION

CHG: INSULATOR PP 94V0 WAS 94V2 PER RF14-E084 EC NO: URF2014-0425 DRW: CME102 2014/01/20 CHKD: APPR: M HUANG 2014/01/29 REV: A3	QUALITY SYMBOLS 	GENERAL TOLERANCES (UNLESS SPECIFIED) <table border="1"> <tr> <th></th> <th>mm</th> <th>INCH</th> </tr> <tr> <td>4 PLACES</td> <td>± .005</td> <td>± .0002</td> </tr> <tr> <td>3 PLACES</td> <td>± .004</td> <td>± .00015</td> </tr> <tr> <td>2 PLACES</td> <td>± .003</td> <td>± .0001</td> </tr> <tr> <td>1 PLACE</td> <td>± .002</td> <td>± .00005</td> </tr> </table> ANGULAR ± .0001° DRAFT WHERE APPLICABLE MUST REMAIN WITHIN DIMENSIONS		mm	INCH	4 PLACES	± .005	± .0002	3 PLACES	± .004	± .00015	2 PLACES	± .003	± .0001	1 PLACE	± .002	± .00005	DIMENSION STYLE MM/IN	SCALE DESIGN UNITS METRIC	THIRD ANGLE PROJECTION
				mm	INCH															
			4 PLACES	± .005	± .0002															
			3 PLACES	± .004	± .00015															
2 PLACES	± .003	± .0001																		
1 PLACE	± .002	± .00005																		
DRAWN BY AZR	DATE 2008/07/02	TITLE BNC JACK, R/A PCB, 75 OHMS DIE CAST 4 GHZ PERFORM BNC-J/RA/PCB, EWR-3673																		
CHECKED BY SSS	DATE 2008/07/02	APPROVED BY JDW																		
DATE 2008/07/02	MATERIAL NO. SEE TABLE	DOCUMENT NO. SD-73171-351	SHEET NO. 1 OF 1																	

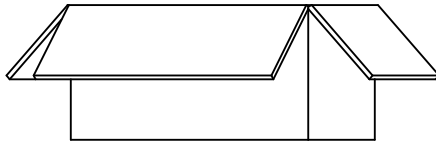
THIS DRAWING CONTAINS INFORMATION THAT IS PROPRIETARY TO MOLEX INCORPORATED AND SHOULD NOT BE USED WITHOUT WRITTEN PERMISSION



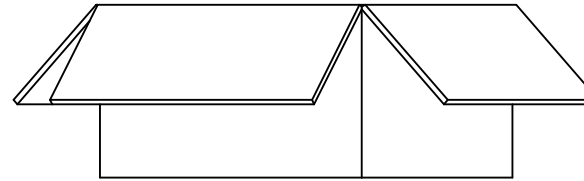
P/N 73171-3510
P/N 73171-3511



48 SETS PER TRAY
TRAY P/N 89707-0189



336 SETS PER INNER
CARTON BOX
P/N 96707-0001



672 SETS PER OUTER
CARTON BOX
P/N 96708-0005

CHG: NEW RELEASED
EC NO: URF2014-0313
DRWN: CWE102 2013/11/15
CHKD:
APPR: MHUANG 2013/12/31

REV	DESCRIPTION
A	

QUALITY SYMBOLS	
	ϕ
	ϕ
	ϕ

GENERAL TOLERANCES (UNLESS SPECIFIED)		
	mm	INCH
4 PLACES	\pm ---	\pm ---
3 PLACES	\pm ---	\pm ---
2 PLACES	\pm ---	\pm ---
1 PLACE	\pm ---	\pm ---
0 PLACE	\pm ---	\pm ---

DIMENSION STYLE		SCALE	DESIGN UNITS	THIRD ANGLE PROJECTION
MM/IN			METRIC	
DRAWN BY	DATE	TITLE		
CWE102	2013/11/15	PACKAGING FOR 73171-351		
CHECKED BY	DATE	molex		
VINCENT	2013/11/15			
APPROVED BY	DATE	DOCUMENT NO. SD-73171-351-PKG		
MHUANG	2013/12/31	SHEET NO. 1 OF 1		
MATERIAL NO. -----				

ANGULAR $\pm 2^\circ$
DRAFT WHERE APPLICABLE
MUST REMAIN
WITHIN DIMENSIONS

SIZE C THIS DRAWING CONTAINS INFORMATION THAT IS PROPRIETARY TO MOLEX INCORPORATED AND SHOULD NOT BE USED WITHOUT WRITTEN PERMISSION