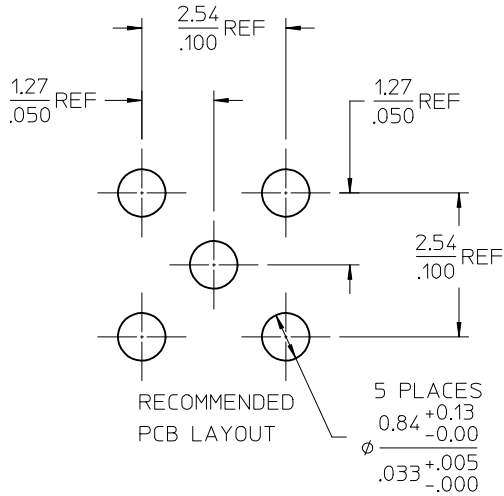
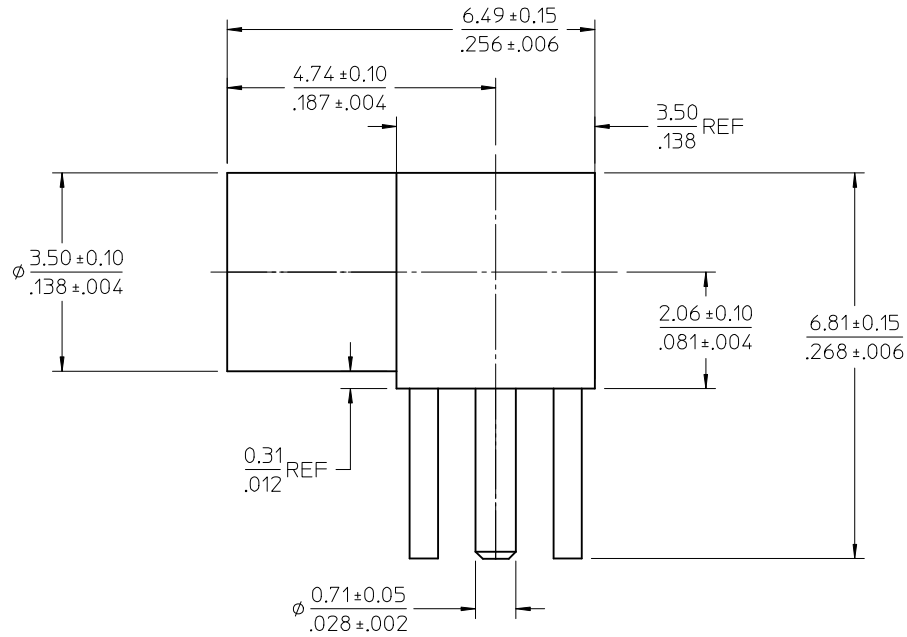
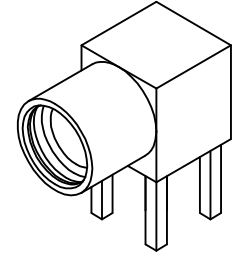


MATERIALS AND FINISHES

BODY: BRASS
PLATED SEE TABLE

CENTER: CONTACT BERYLLIUM COPPER
PLATED GOLD

INSULATOR: TEFLON



RECOMMENDED
PCB LAYOUT

73415-1004	GOLD (COMMERCIAL)	TAPE & REEL
73415-1003	TRI-M	BULK
73415-1002	GOLD (COMMERCIAL)	ONE PER BAG
73415-1001	GOLD (COMMERCIAL)	BULK
73415-1000	GOLD (MILITARY)	BULK
PART NO.	BODY PLATING	PACKAGING

MMCX JACK
INTERFACE

PS-89675-1920	ELECTRICAL/MECHANICAL
SPECIFICATION	DESCRIPTION

CHG: ADD -1004&PKG
PER PDR14101742
EC NO: URF2015-0333
DRWN:ME102 2014/10/22
CHKD:
APPR:YCHENG 2015/01/05
REV: D4

QUALITY SYMBOLS
▽=0
▽=0
▽=0

GENERAL TOLERANCES (UNLESS SPECIFIED)

	mm	INCH
4 PLACES	± .005	± .0002
3 PLACES	± .004	± .00015
2 PLACES	± .003	± .0001
1 PLACE	± .002	± .00005
0 PLACE	± .001	± .00002

ANGULAR ± 2 °
DRAFT WHERE APPLICABLE
MUST REMAIN WITHIN DIMENSIONS

DIMENSION STYLE
MM/IN

DRAWN BY	DATE
JM	2005/07/22
CHECKED BY	DATE
JM	2005/07/22
APPROVED BY	DATE
JDW	2005/07/22

MATERIAL NO.
SIZE C
SEE TABLE

SCALE
DESIGN UNITS
METRIC

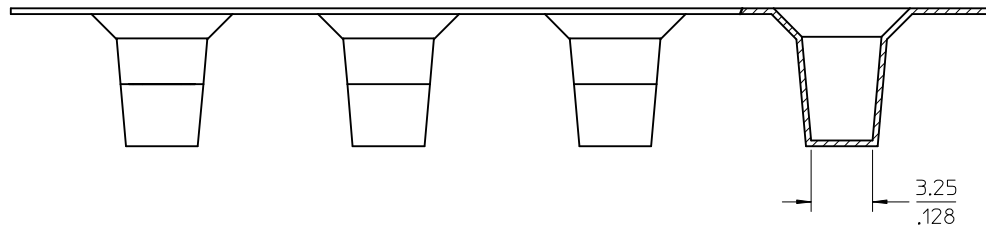
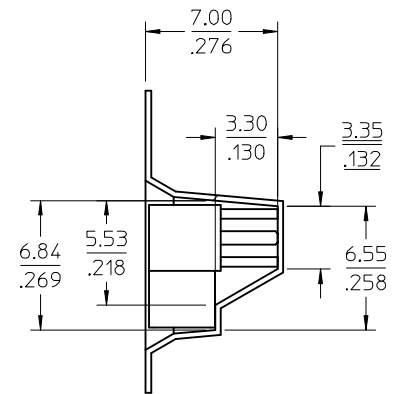
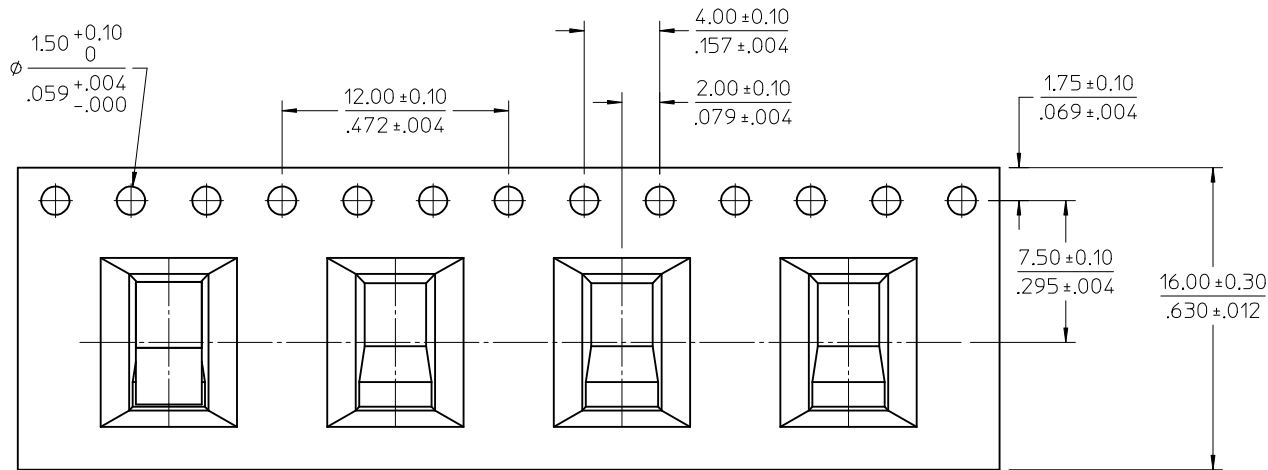
THIRD ANGLE PROJECTION

TITLE
MMCX JACK, R/A, PCB
50 OHMS
MMCX-J/PCB EWR-2734

molex

DOCUMENT NO.
SD-73415-100

SHEET NO.
1 OF 3

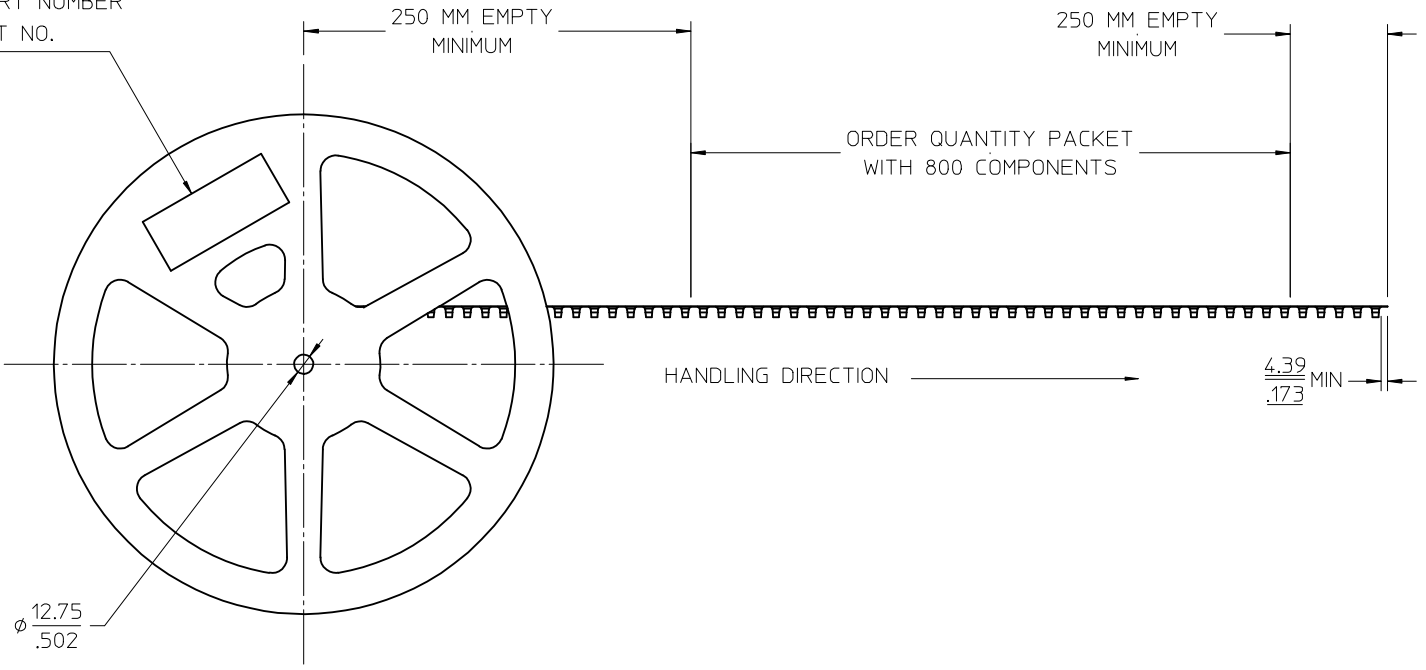
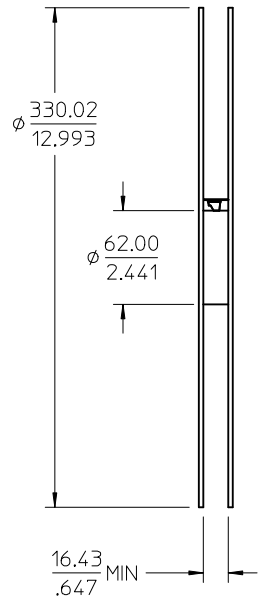


PACKING DESCRIPTION :

1. MATERIAL : PS BLACK-THICKNESS : 0.40±0.05 MM

SEE SHEET 1 EC NO: URF2015-0333 DRWN: CWE102 2014/10/22 CHKD: APPR: YCHENG 2015/01/05 D4	QUALITY SYMBOLS 	GENERAL TOLERANCES (UNLESS SPECIFIED)		DIMENSION STYLE MM/IN	SCALE METRIC	DESIGN UNITS METRIC	THIRD ANGLE PROJECTION	
		4 PLACES ± --- ± --- 3 PLACES ± --- ± --- 2 PLACES ± --- ± --- 1 PLACE ± --- ± --- 0 PLACE ± --- ± ---	mm INCH	DRAWN BY JM	DATE 2005/07/22	TITLE MMCX JACK, R/A, PCB 50 OHMS MMCX-J/PCB EWR-2734	molex	SHEET NO. 2 OF 3
		ANGULAR ± 2 °		CHECKED BY JM	DATE 2005/07/22	DOCUMENT NO. SD-73415-100		
		DRAFT WHERE APPLICABLE MUST REMAIN WITHIN DIMENSIONS		APPROVED BY JDW	DATE 2005/07/22			
MATERIAL NO. SEE SHEET 1		THIS DRAWING CONTAINS INFORMATION THAT IS PROPRIETARY TO MOLEX INCORPORATED AND SHOULD NOT BE USED WITHOUT WRITTEN PERMISSION						

LABEL:
 -ORDER NO.
 -QUANTITY
 -PART NUMBER
 -LOT NO.



PACKING DESCRIPTION :
 1. COMPONENT LOAD PER 13" REEL : 800 PCS
 2. DIMENSION ARE PROVIDED FOR REFERENCE ONLY

SEE SHEET 1
 EC NO: URF2015-0333
 DRWN:WE102 2014/10/22
 CHKD:
 APPR:YCHENG 2015/01/05

REV	DESCRIPTION
D4	

QUALITY SYMBOLS	
	=0
	=0
	=0

GENERAL TOLERANCES (UNLESS SPECIFIED)	
	mm INCH
4 PLACES	± .005 ± .0002
3 PLACES	± .005 ± .0002
2 PLACES	± .005 ± .0002
1 PLACE	± .005 ± .0002
0 PLACE	± .005 ± .0002

DIMENSION STYLE MM/IN		SCALE	DESIGN UNITS METRIC	THIRD ANGLE PROJECTION
DRAWN BY JM	DATE 2005/07/22	TITLE MMCX JACK, R/A, PCB 50 OHMS MMCX-J/PCB EWR-2734		
CHECKED BY JM	DATE 2005/07/22			
APPROVED BY JDW	DATE 2005/07/22			
MATERIAL NO. SEE SHEET 1		DOCUMENT NO. SD-73415-100	SHEET NO. 3 OF 3	