

13 12 11 10 9 8 7 6 5 4 3 2 1

MATERIALS AND FINISHES

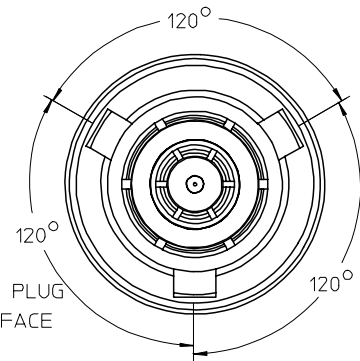
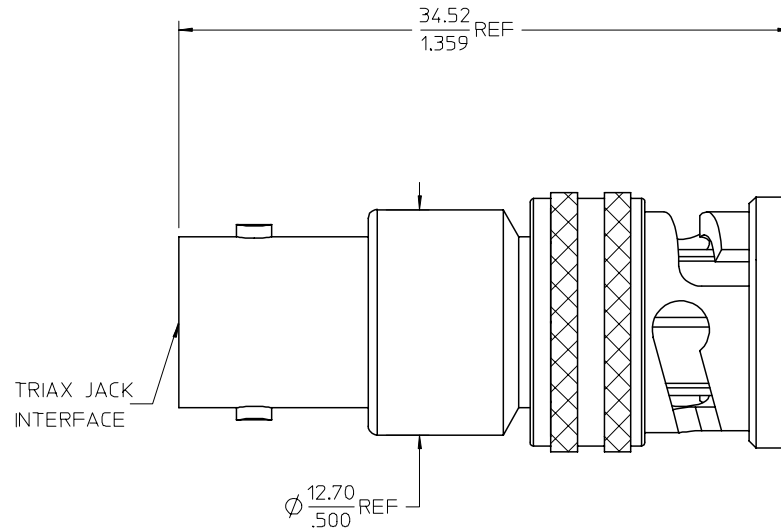
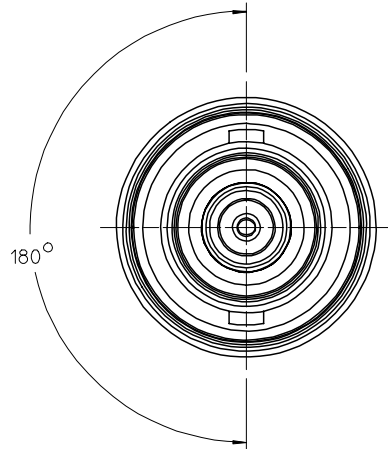
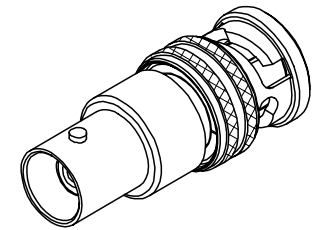
BODY, COUPLING NUT, HALF WASHER, RETAINING RING: BRASS  
PLATED NICKEL

CENTER CONTACT BERYLLIUM COPPER  
PLATED GOLD

INSULATOR TEFLON

RETAING RING, INTERMEDIATE CONTACT BRASS  
PLATED GOLD

GASKET SILICONE RUBBER



PART # 73415-1730

MIL-STD-348, FIG. 201.2, EXCEPT 2 LUGS	JACK INTERFACE
MIL-STD-348, FIG. 201.1	PLUG INTERFACE
SPECIFICATION	DESCRIPTION

CHG: REDREW IN SD CHANGED ALL DIMS FROM IN/MM TO MM/IN ADDED ISO VIEW RELEASED FC. NO: URF2006-0299 DRWN:FLAHERTY 2006/01/17 CHKD:SHAH 2006/01/17 APPR:JIMENER 2006/01/17 A	QUALITY SYMBOLS	$\nabla=0$ $\nabla=0$															
	GENERAL TOLERANCES (UNLESS SPECIFIED)	<table border="1"> <tr> <th></th> <th>mm</th> <th>INCH</th> </tr> <tr> <td>4 PLACES</td> <td>± .005</td> <td>± .0005</td> </tr> <tr> <td>3 PLACES</td> <td>± .002</td> <td>± .0002</td> </tr> <tr> <td>2 PLACES</td> <td>± .001</td> <td>± .0001</td> </tr> <tr> <td>1 PLACE</td> <td>± .0005</td> <td>± .00005</td> </tr> </table>		mm	INCH	4 PLACES	± .005	± .0005	3 PLACES	± .002	± .0002	2 PLACES	± .001	± .0001	1 PLACE	± .0005	± .00005
		mm	INCH														
	4 PLACES	± .005	± .0005														
3 PLACES	± .002	± .0002															
2 PLACES	± .001	± .0001															
1 PLACE	± .0005	± .00005															
ANGULAR	± 2 °																
DESCRIPTION	DRAFT WHERE APPLICABLE MUST REMAIN WITHIN DIMENSIONS																

DIMENSION STYLE		MM/IN
DRAWN BY	DATE	TITLE
TEF	2000/05/16	TRIAx PLUG 3 SLOT/TRIAx JACK 2 LUG ADPT.(CS-505) TRIAX-PJ/AD
CHECKED BY	DATE	
SSS	2000/05/16	
APPROVED BY	DATE	
GMH	2000/05/16	
MATERIAL NO.	DOCUMENT NO.	SHEET NO.
734151730	SD-73415-173	1 OF 1

SCALE	DESIGN UNITS	THIRD ANGLE PROJECTION
	METRIC	$\odot$ $\square$
MOLEX INCORPORATED		

THIS DRAWING CONTAINS INFORMATION THAT IS PROPRIETARY TO MOLEX INCORPORATED AND SHOULD NOT BE USED WITHOUT WRITTEN PERMISSION		
---	--	--

12 11 10 9 8 7 6 5 4 3 2 1