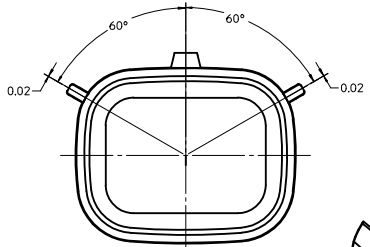
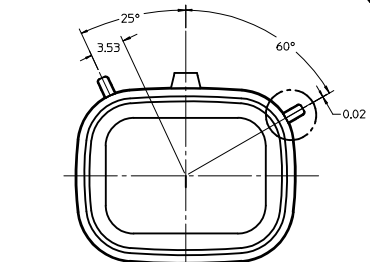


# CUSTOMER SHROUD DESIGN DETAILS

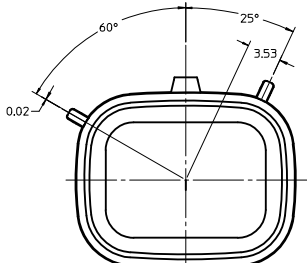
- NOTES:**
1. REFER TO MOLEX SALES DRAWING SD-75757-002 FOR THE HEADER ASSEMBLY PRODUCT DETAILS AND RECOMMENDED PCB LAYOUT.
  2. KEYING OPTIONS A-D AND SUGGESTED COLORS COMPLY TO THE POLARIZATION STANDARDS ESTABLISHED FOR MATING WITH A MX150 FEMALE CONNECTOR.
  3. INTERIOR SHROUD SURFACE MUST BE FREE OF DEFECTS AND PARTING LINES ALL AROUND TO ENSURE PROPER SEALING OF THE MATING MX150 FEMALE CONNECTOR.
  4. A FULL SHROUD ON THE MATING CONNECTOR IS REQUIRED TO INSURE THE HEADER SHROUD POLARIZATION FEATURES (OPTIONS A-D) WILL FUNCTION PROPERLY. THE FULL SHROUD ALSO PREVENTS SCOOP DAMAGE TO THE HEADER CONTACTS.
  5. PERMISSIBLE DRAFT ANGLE 0.25° MAXIMUM.
  6. RADII ON ALL CORNERS SHOWN SHARP OR ALL UNSPECIFIED RADII 0.25 EXCEPT AS NOTED.
  7. DIMENSIONS SHOWN ABOUT A CENTERLINE ARE SYMMETRICAL ABOUT THAT CENTERLINE WITHIN HALF THE SPECIFIED TOLERANCE.



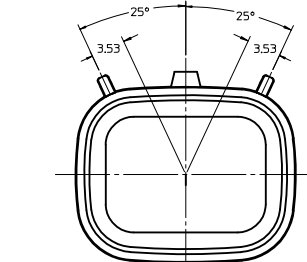
**KEYING OPTION "A"**  
SUGGESTED COLOR: BLACK



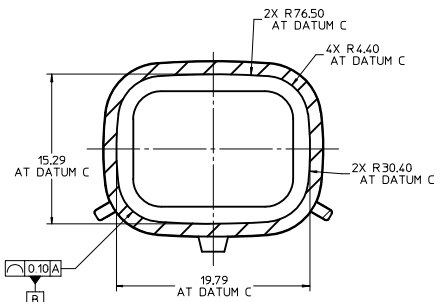
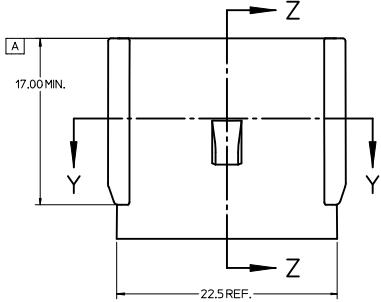
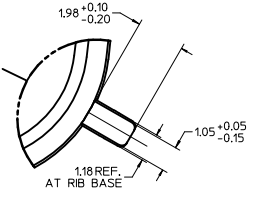
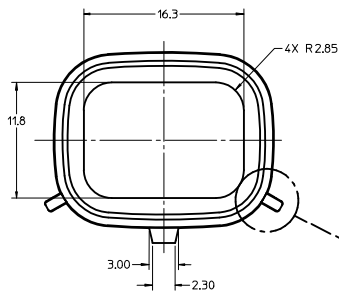
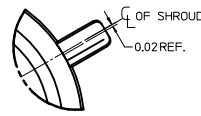
**KEYING OPTION "B"**  
SUGGESTED COLOR: GREY



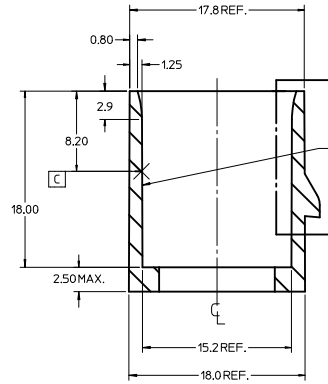
**KEYING OPTION "C"**  
SUGGESTED COLOR: BROWN



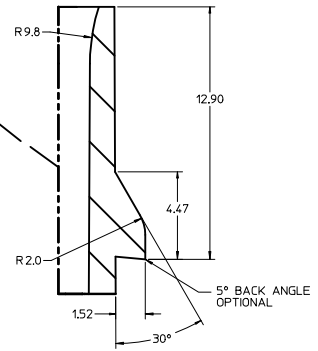
**KEYING OPTION "D"**  
SUGGESTED COLOR: GREEN



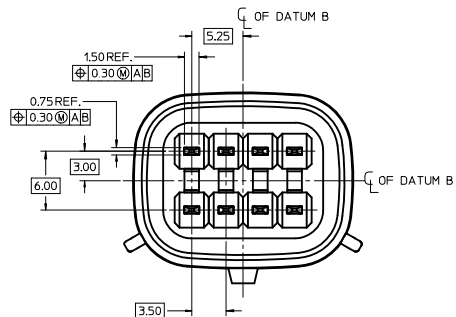
**SECTION Y-Y**



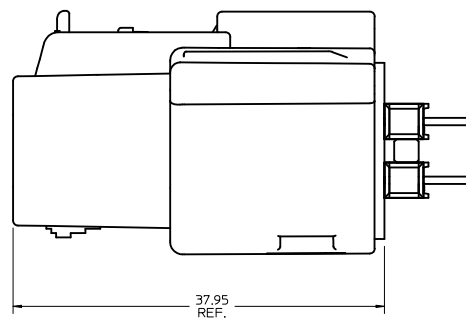
**SECTION Z-Z**



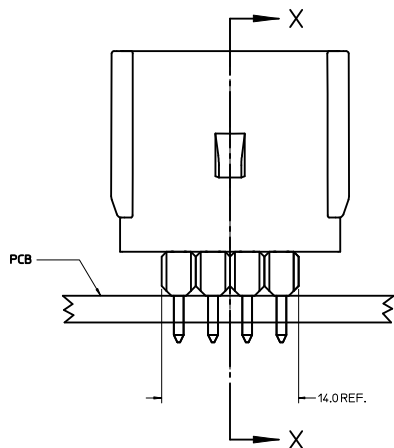
ADDED REC ASSY VIEW EIC NO. UJF2011-2680 DRAWN/DROSCA CHYD APPR: JCOMERCL 2011/03/07	QUALITY SYMBOLS	GENERAL TOLERANCES (UNLESS SPECIFIED)	DIMENSION STYLE	SCALE	DESIGN UNITS	THIRD ANGLE PROJECTION
	=0 =0	mm INCH 4 PLACES ± --- ± --- 3 PLACES ± --- ± --- 2 PLACES ± 0.01 ± --- 1 PLACE ± 0.2 ± --- ANGULAR ±1/2°	MM ONLY DRAWN BY DATE TMCLELL 2006/04/12 CHECKED BY DATE TMCLELL 2006/04/12 APPROVED BY DATE BANAKIS 2006/04/13	4:1	METRIC	APPLICATION SPEC 2X4 MX150 HEADER SHROUD DETAILS
	DRAFT WHERE APPLICABLE MUST REMAIN WITHIN DIMENSIONS	MATERIAL NO. 75757-2040	DOCUMENT NO. AS-75757-204	MOLEX INCORPORATED	SHEET NO. 1 OF 2	
		THIS DRAWING CONTAINS INFORMATION THAT IS PROPRIETARY TO MOLEX INCORPORATED AND SHOULD NOT BE USED WITHOUT WRITTEN PERMISSION				



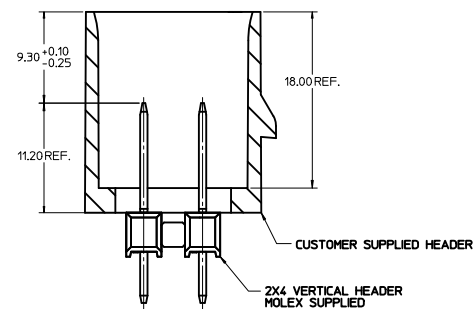
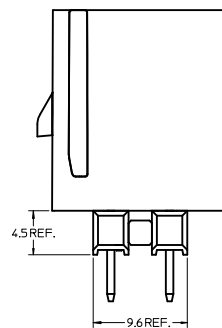
NOTES:  
 1. ADHERENCE TO THE HEADER APPLICATION DETAILS IS IMPERATIVE TO ENSURE PROPER SHROUD SEALING AND CONTACT ALIGNMENT WHEN MATED WITH A MX150 FEMALE CONNECTOR.



CONNECTOR ASSEMBLY

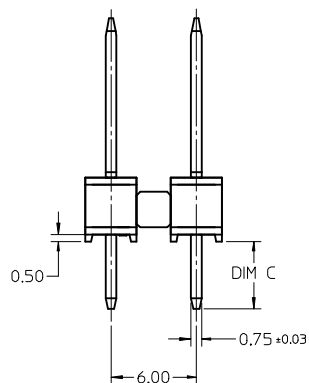
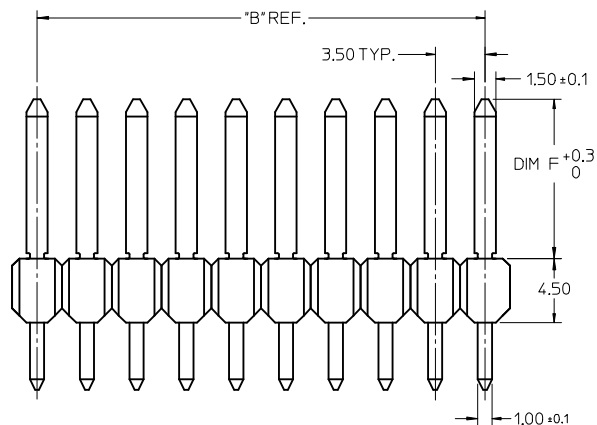
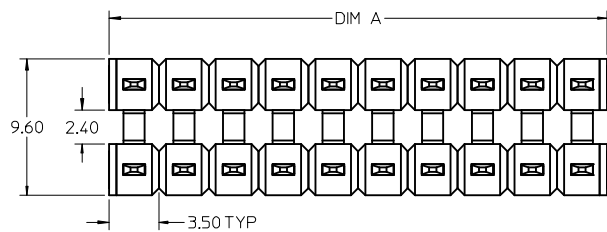


HEADER APPLICATION DETAILS



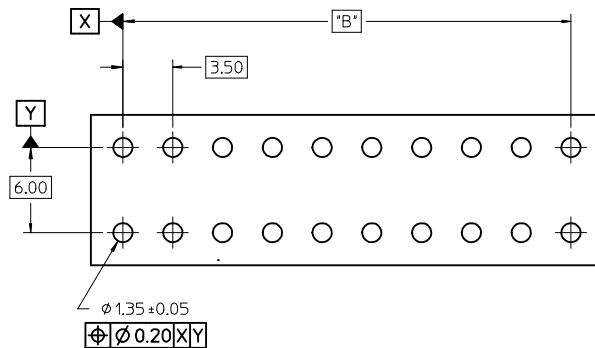
SECTION X-X

SEE SHEET 1 EIC NO. UCP2011-2680 DRAWN BY: DRWN:DRWSCA 2011/03/04 CHKD: APPR: JCOMERCL 2011/03/07 REV DESCRIPTION	QUALITY SYMBOLS		GENERAL TOLERANCES (UNLESS SPECIFIED)		DIMENSION STYLE		SCALE	DESIGN UNITS	THIRD ANGLE PROJECTION
	▽=0 ▽=0		mm INCH 4 PLACES ± --- ± --- 3 PLACES ± --- ± --- 2 PLACES ± 0.01 ± --- 1 PLACE ± 0.2 ± --- ANGULAR ± 1/2°		MM ONLY DRAWN BY DATE TMCLELL 2006/04/12 CHECKED BY DATE TMCLELL 2006/04/12 APPROVED BY DATE BANAKIS 2006/04/13		4:1	METRIC	APPLICATION SPEC 2X4 MX150 HEADER SHROUD DETAILS
	DRAFT WHERE APPLICABLE MUST REMAIN WITHIN DIMENSIONS			MATERIAL NO. 75757-2040		DOCUMENT NO. AS-75757-204		MOLEX INCORPORATED	
				SIZE D		THIS DRAWING CONTAINS INFORMATION THAT IS PROPRIETARY TO MOLEX INCORPORATED AND SHOULD NOT BE USED WITHOUT WRITTEN PERMISSION		SHEET NO. 2 OF 2	



**NOTES:**

1. TERMINAL MAT'L: ALLOY C26000, CARTRIDGE BRASS
2. WAFER MAT'L: 30% GLASS FILLED LCP, 94V-0, COLOR BLACK.
3. TERMINAL PLATING:
  - OPTION 4 - 1.54µm MIN MATTE TIN OVERALL OVER 1.25µm NICKEL OVERALL
  - OPTION 1 - 2.54µm MIN MATTE TIN OVERALL OVER 1.25µm NICKEL OVERALL
  - OPTION 2 - 1.25µm NICKEL OVERALL 2.54µm MIN SELECT MATTE TIN PC TAIL AREA 0.05-0.25µm SELECT GOLD CONTACT AREA
  - OPTION 3 - 1.25µm NICKEL OVERALL 2.54µm MIN SELECT MATTE TIN PC TAIL AREA 0.75µm SELECT GOLD CONTACT AREA
4. HEADER ASSEMBLIES ARE TUBE PACKAGED PER PK-36518-340.



RECOMMENDED PCB LAYOUT

<b>PK SPEC UPDATED</b> EC NO: 12016-0115 DRWN: BR02 CHKD: APPR: KPRASAD 2016/05/16 2016/06/03	QUALITY SYMBOLS	GENERAL TOLERANCES (UNLESS SPECIFIED)		DIMENSION STYLE	SCALE	DESIGN UNITS	THIRD ANGLE PROJECTION
	▽=0	mm	INCH	MM ONLY	4:1	METRIC	
	▽=0	4 PLACES ± ---	± ---	DRAWN BY	DATE	TITLE	
	▽=0	3 PLACES ± ---	± ---	TMCCLELL	1/18/05		
		2 PLACES ± 0.13	± ---	CHECKED BY	DATE		
		1 PLACE ± 0.25	± ---	TMCCLELL	1/18/05		
		0 PLACE ±	±	APPROVED BY	DATE		
				BANAK I S	1/18/05		
		ANGULAR ± 1/2°		MATERIAL NO.	DOCUMENT NO.		
		DRAFT WHERE APPLICABLE MUST REMAIN WITHIN DIMENSIONS		SEE CHART			
				SIZE A 2		THIS DRAWING CONTAINS INFORMATION THAT IS PROPRIETARY TO MOLEX INCORPORATED AND SHOULD NOT BE USED WITHOUT WRITTEN PERMISSION	

MX150 DUAL ROW UNSHROUDED VERTICAL HEADER ASSEMBLY

**molex**

SD-75757-002

SHEET NO. 1 OF 2

	13	12	11	10	9	8	7	6	5	4	3	2	1			
J	2 x 2	1 75757-6121 2 75757-6221 3 75757-6321 4 75757-6421			75757-5121 75757-5221 75757-5321 75757-5421			75757-1121 75757-1221 75757-1321 75757-1421			75757-1122 75757-1222 75757-1322 75757-1422		7.0 3.50 REF	J		
I	2 x 3	1 75757-6131 2 75757-6231 3 75757-6331 4 75757-6431			75757-5131 75757-5231 75757-5331 75757-5431			75757-1131 75757-1231 75757-1331 75757-1431			75757-1132 75757-1232 75757-1332 75757-1432		10.5 7.00	I		
	2 x 4	1 75757-6141 2 75757-6241 3 75757-6341 4 75757-6441			75757-5141 75757-5241 75757-5341 75757-5441			75757-1141 75757-1241 75757-1341 75757-1441			75757-1142 75757-1242 75757-1342 75757-1442		14.0 10.50			
H	2 x 6	1 75757-6161 2 75757-6261 3 75757-6361 4 75757-6461	3.05	27.77	75757-5161 75757-5261 75757-5361 75757-5461	3.05	16.09	75757-1161 75757-1261 75757-1361 75757-1461	3.05	11.20	75757-1162 75757-1262 75757-1362 75757-1462	4.75	11.20	H		
G	2 x 8	1 75757-6181 2 75757-6281 3 75757-6381 4 75757-6481			75757-5181 75757-5281 75757-5381 75757-5481			75757-1181 75757-1281 75757-1381 75757-1481			75757-1182 75757-1282 75757-1382 75757-1482		28.0 24.50	G		
F	2 x 10	1 75757-6101 2 75757-6201 3 75757-6301 4 75757-6401			75757-5101 75757-5201 75757-5301 75757-5401			75757-1101 75757-1201 75757-1301 75757-1401			75757-1102 75757-1202 75757-1302 75757-1402		35.0 31.50	F		
	CKT SIZE	PLATING OPTION	MATERIAL NUMBER	*C* DIM	*F* DIM	MATERIAL NUMBER	*C* DIM	*F* DIM	MATERIAL NUMBER	*C* DIM	*F* DIM	MATERIAL NUMBER	*C* DIM	*F* DIM	*A* DIM	*B* DIM

E																
D																
C																
B																
A																

<b>SEE SHEET 1</b> EC NO: 2016-0115 DRAWN: BR02 2016/05/16 CHKD: APPR: KPRASAD 2016/06/03 REV:	QUALITY SYMBOLS	GENERAL TOLERANCES (UNLESS SPECIFIED)	DIMENSION STYLE	SCALE	DESIGN UNITS	THIRD ANGLE PROJECTION	
	▽=0	4 PLACES ± --- ± ---	MM ONLY	1:1	METRIC	MX150 DUAL ROW UNSHROUDED VERTICAL HEADER ASSEMBLY 	
	▽=0	3 PLACES ± --- ± ---	DRAWN BY	DATE	TITLE		
	▽=0	2 PLACES ± 0.13 ± ---	DATE	1/18/05			
	1 PLACE ± 0.25 ± ---	APPROVED BY	DATE	1/18/05			
	0 PLACE ± ±		BANAKI S				
	ANGULAR ± 1/2°	DRAFT WHERE APPLICABLE MUST REMAIN WITHIN DIMENSIONS	MATERIAL NO.	DOCUMENT NO.		SHEET NO.	
			SEE CHART		SD-75757-002	2 OF 2	
			THIS DRAWING CONTAINS INFORMATION THAT IS PROPRIETARY TO MOLEX INCORPORATED AND SHOULD NOT BE USED WITHOUT WRITTEN PERMISSION				