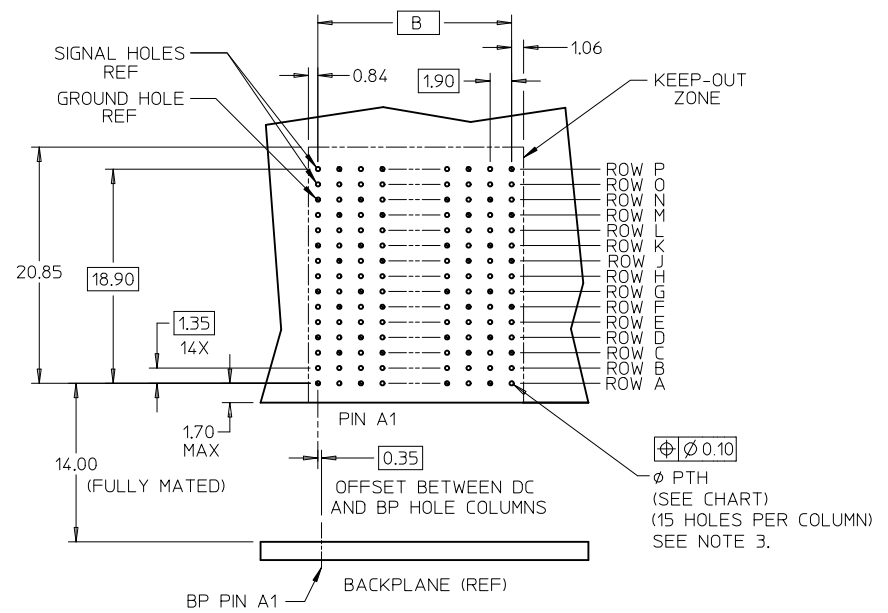
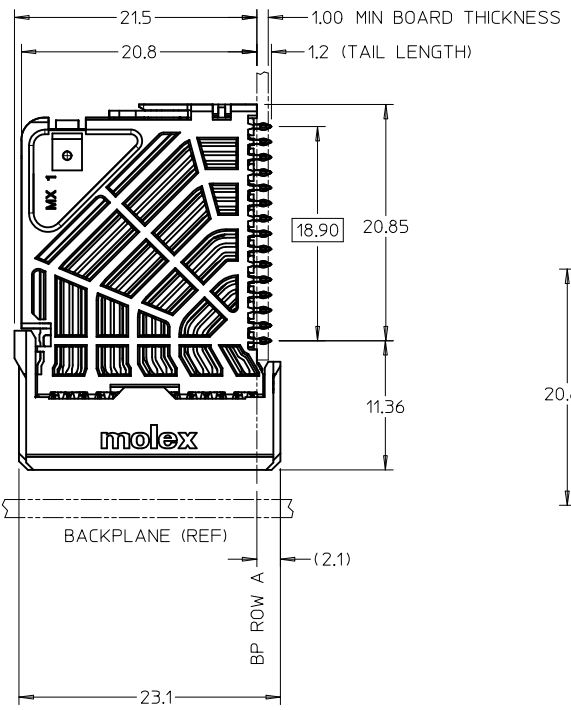
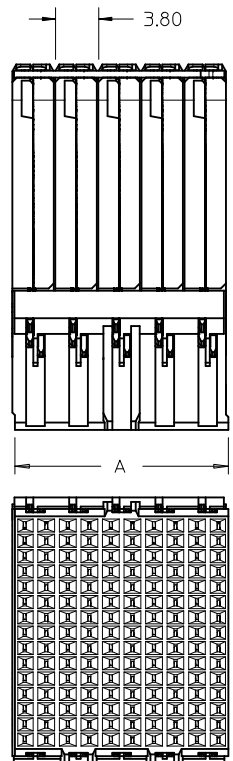
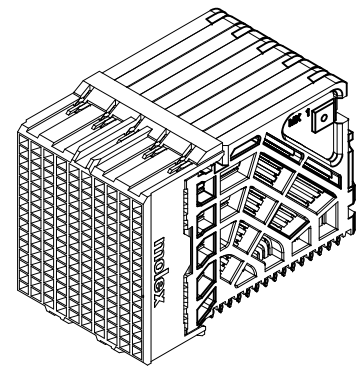


MATERIAL NUMBER	# OF COLUMNS	# OF DIFF PAIR	DIM "A" MAX	DIM "B"	PTH $\phi$
76060-*010	10	50	19.00	17.10	0.46 +0.05
76060-*012	12	60	22.80	20.90	
76060-*014	14	70	26.60	24.70	
76060-*016	16	80	30.40	28.50	0.39 +0.05
76060-*020	10	50	19.00	17.10	
76060-*022	12	60	22.80	20.90	
76060-*024	14	70	26.60	24.70	
76060-*026	16	80	30.40	28.50	

76060-\*0\*\*

0 = OPEN TIN-LEAD  
1 = OPEN LEAD-FREE

# OF COLUMNS  
 10 = 10 COL 0.46 PTH  
 12 = 12 COL 0.46 PTH  
 14 = 14 COL 0.46 PTH  
 16 = 16 COL 0.46 PTH  
 20 = 10 COL 0.39 PTH  
 22 = 12 COL 0.39 PTH  
 24 = 14 COL 0.39 PTH  
 26 = 16 COL 0.39 PTH



DAUGHTERCARD HOLE PATTERN (CONNECTOR SIDE)

- NOTES:
1. MATERIALS: HOUSING - LIQUID CRYSTAL POLYMER (LCP), GLASS-FILLED, UL94V-0  
TERMINALS - HIGH PERFORMANCE COPPER ALLOY
  2. FINISH: 30MN MIN GOLD IN CONTACT AREA. SELECTIVE TIN OR SELECTIVE TIN-LEAD ON PCB TAILS. NICKEL OVERALL.
  3. REFER TO MOLEX PRODUCT SPEC PS-76060-999 FOR PERFORMANCE SPECIFICATIONS AND ADDITIONAL PCB INFORMATION.
  4. EACH SIGNAL WAFER CONTAINS 2 COLUMNS OF TERMINALS.
  5. PRODUCT IS PACKAGED PER PK-70873-611.
  6. THIS PART CONFORMS TO CLASS B REQUIREMENTS OF COSMETIC SPEC PS-45499-002.
  7. REFER TO MOLEX SALES DRAWING SD-76055-001 FOR THE MATING HEADERS.
  8. REFER TO MOLEX PCB MOUNTING GUIDE AS-76060-990 FOR ANTIPAD AND ROUTING RECOMMENDATIONS.

<b>WAFER PEGS</b> EC NO: UCP2011-2723 TIDRWINDVARVARA 2011/03/08 CHKD: JLAURX 2011/03/14 APPR: JLAURX	QUALITY SYMBOLS $\nabla=0$ $\nabla=0$ $\nabla=0$	GENERAL TOLERANCES (UNLESS SPECIFIED) <table border="1"> <tr> <th></th> <th>mm</th> <th>INCH</th> </tr> <tr> <td>4 PLACES</td> <td><math>\pm 0.25</math></td> <td><math>\pm 0.010</math></td> </tr> <tr> <td>3 PLACES</td> <td><math>\pm 0.25</math></td> <td><math>\pm 0.010</math></td> </tr> <tr> <td>2 PLACES</td> <td><math>\pm 0.13</math></td> <td><math>\pm 0.005</math></td> </tr> <tr> <td>1 PLACE</td> <td><math>\pm 0.25</math></td> <td><math>\pm 0.010</math></td> </tr> </table>		mm	INCH	4 PLACES	$\pm 0.25$	$\pm 0.010$	3 PLACES	$\pm 0.25$	$\pm 0.010$	2 PLACES	$\pm 0.13$	$\pm 0.005$	1 PLACE	$\pm 0.25$	$\pm 0.010$	DIMENSION STYLE <b>MM ONLY</b>	SCALE <b>3:1</b>	DESIGN UNITS <b>METRIC</b>	THIRD ANGLE PROJECTION
			mm	INCH																	
4 PLACES	$\pm 0.25$	$\pm 0.010$																			
3 PLACES	$\pm 0.25$	$\pm 0.010$																			
2 PLACES	$\pm 0.13$	$\pm 0.005$																			
1 PLACE	$\pm 0.25$	$\pm 0.010$																			
DRAFT WHERE APPLICABLE MUST REMAIN WITHIN DIMENSIONS	DRAWN BY JLAURX DATE 2008/06/10	CHECKED BY TELO DATE 2008/06/10	APPROVED BY JLAURX DATE 2009/10/08	<b>IMPACT DAUGHTERCARD          5 PAIR SIGNAL MODULE          UNGUIDED SALES DRAWING</b>																	
MATERIAL NO. <b>SEE CHART</b>		DOCUMENT NO. <b>SD-76060-001</b>		<b>MOLEX INCORPORATED</b>																	
SIZE <b>C</b>		THIS DRAWING CONTAINS INFORMATION THAT IS PROPRIETARY TO MOLEX INCORPORATED AND SHOULD NOT BE USED WITHOUT WRITTEN PERMISSION																			