

## FEATURES AND SPECIFICATIONS

### Features and Benefits

- Performance levels 1 and 2
- Flux proof option
- FMLB/LMFB pins (extended/recessed) available
- Board lock option
- Solder tails for 1.6mm (.062") PCBs (for 2.4mm (.094") PCBs on request)
- High temperature version on request

### Electrical

Current: 1.5A

### Physical

Housing: Glass-filled polyester, UL 94V-0

Contact: Brass

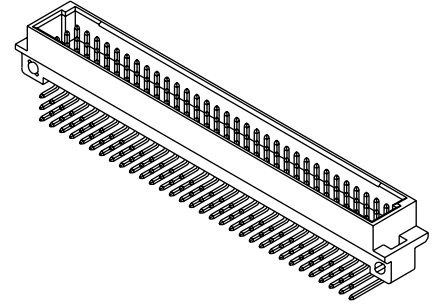
Operating Temperature: -55 to +125°C



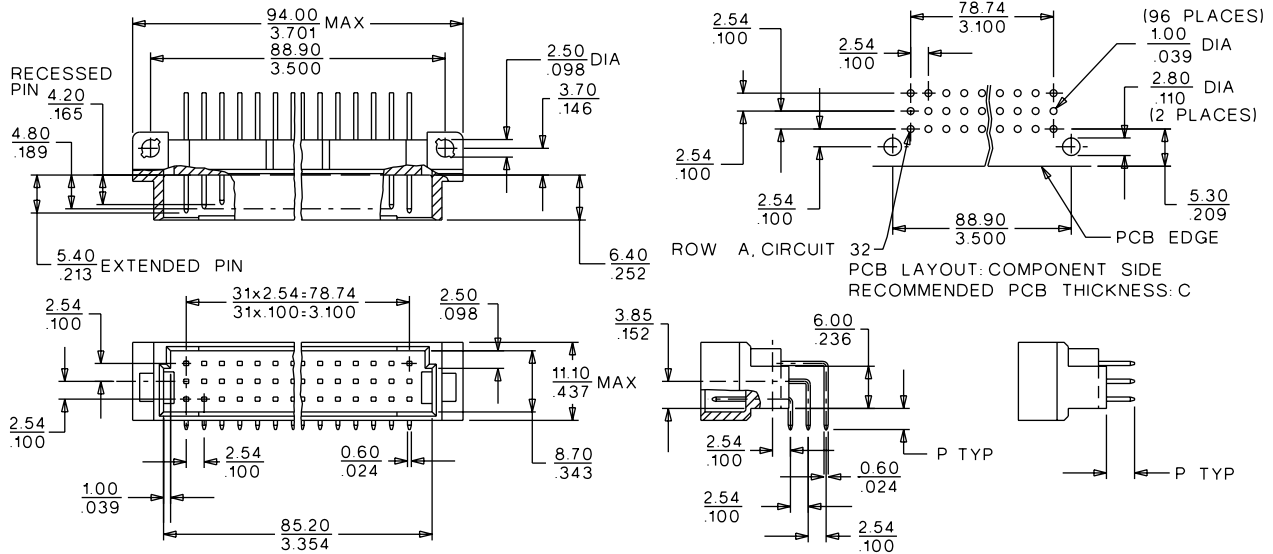
# 2.54mm (.100") Pitch DIN 41612/IEC 603-2 Connector

## 85003

### Male Style C



## CATALOG DRAWING (FOR REFERENCE ONLY)



## ORDERING INFORMATION AND DIMENSIONS

Circuits	Order No.		Contact Loading	Rows	Solder Tail Dimension P	Option(s)	
	Performance Level* 1	Performance Level* 2					
32	85003-0634	85003-0220	Even only	a, c	3.0 (.118)	Board locks, flux-proof	
		85003-1263			4.0 (.157)	Straight solder tail	
		85003-0256					
64	85003-0610	85003-0127	Full	a, c	3.0 (.118)	Board locks	
	85003-1603	85003-0309				Flux-proof	
		85003-0153				FMLB-4 pins: 1, 32 a, c	
		85003-0141				FMLB-2 pins: 1, 32 a	
		85003-0646				FMLB-6 pins: 1, 2, 3 a, c	
		85003-1457				FMLB-4 pins: 30, 32 a, c	
		85003-2385				Coding	
	85003-0282	85003-0139				Coding, board locks	
		85003-1081				Coding, FMLB-4 pins: 1, 32 a, c	
		85003-1550					
		85003-0165				4.0 (.157)	Straight solder tail

Circuits	Order No.		Contact Loading	Rows	Solder Tail Dimension P	Option(s)	
	Performance Level* 1	Performance Level* 2					
96	85003-0555	85003-0177	Full	a, b, c	3.0 (.118)	Board locks	
	85003-1691	85003-0567				Flux-proof	
	85003-2529	85003-0206				FMLB-4 pins: 1, 32 a+c	
		85003-1483				FMLB-6 pins: 1, 32 a, b, c, board locks	
	85003-2830	85003-0658				FMLB-2 pins: 1, 32 a	
	85003-0294	85003-0189				Coding	
		85003-1548				Coding, FMLB-4 pins: 1, 32 a, c	
	85003-0359	85003-0218				4.0 (.157)	Straight solder tail

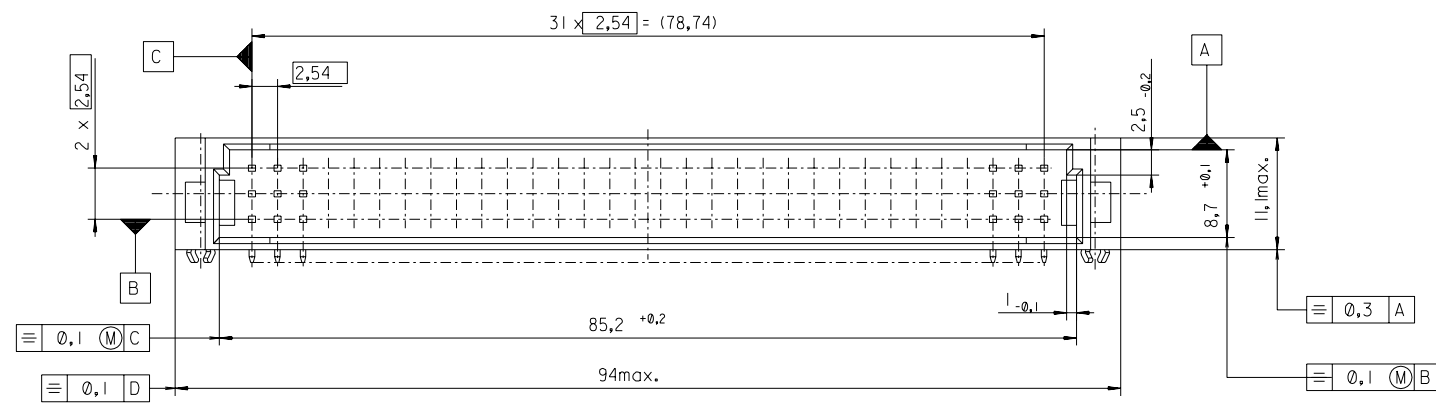
For other versions, including high temperature, contact Molex

\* Performance levels based on test conditions per DIN 41612, part 5:

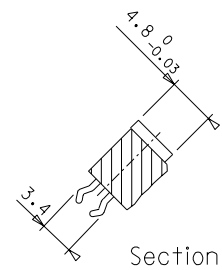
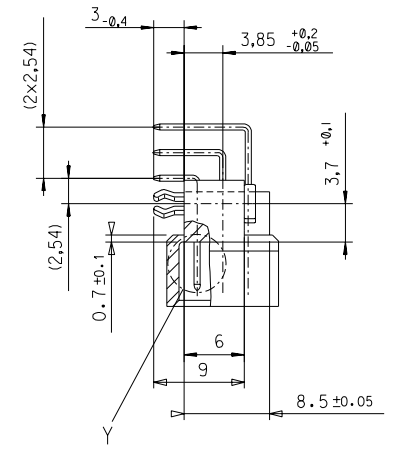
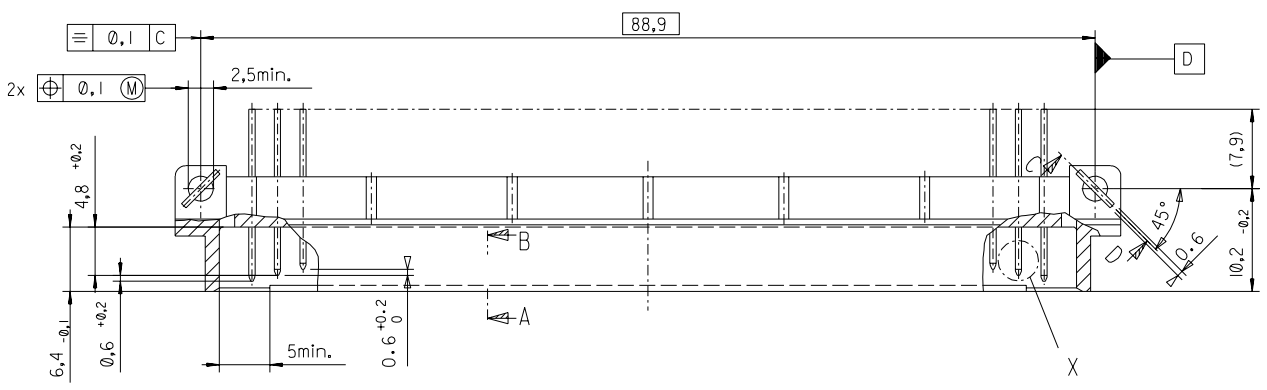
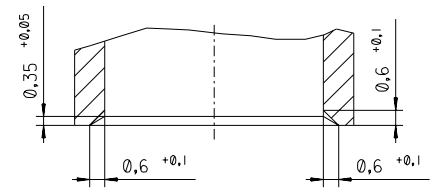
1: >500 mating cycles. 10 day industrial environment (S02)

2: >400 mating cycles. 4 day industrial environment (S02)

PART NO.  
DWG. NO.

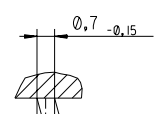


Section A - B  
5:1



Section C - D

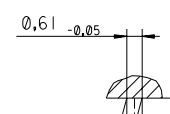
View X  
5:1



96 contacts

0,06 M

View Y  
5:1



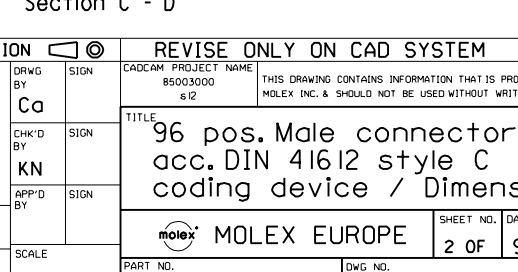
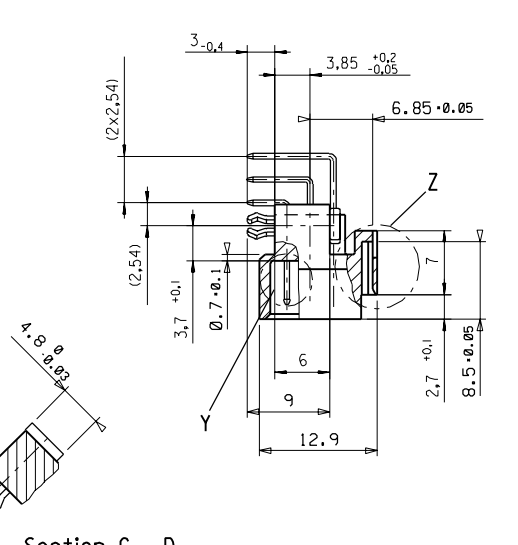
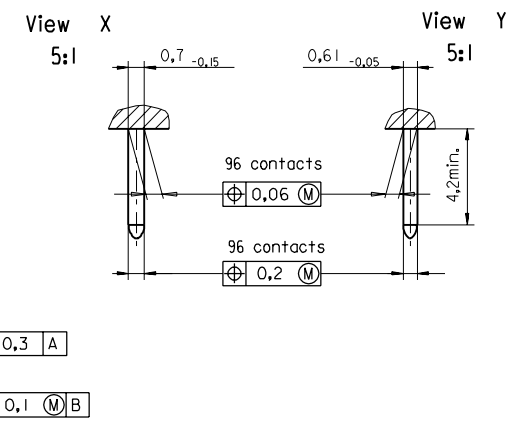
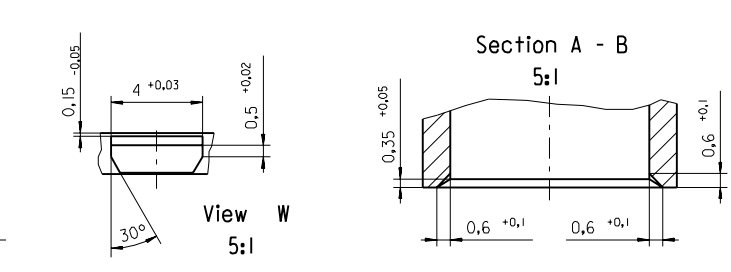
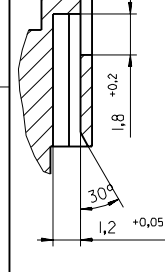
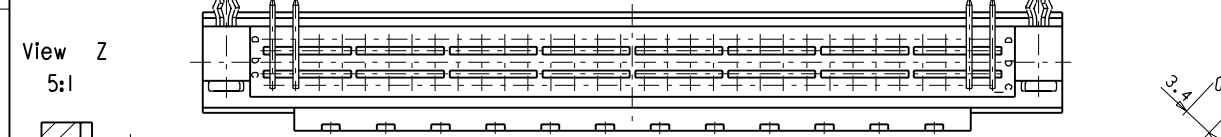
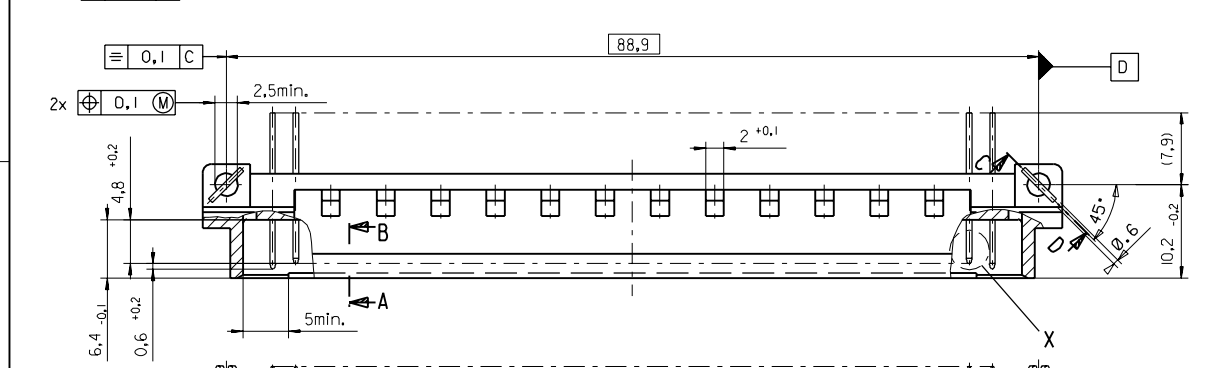
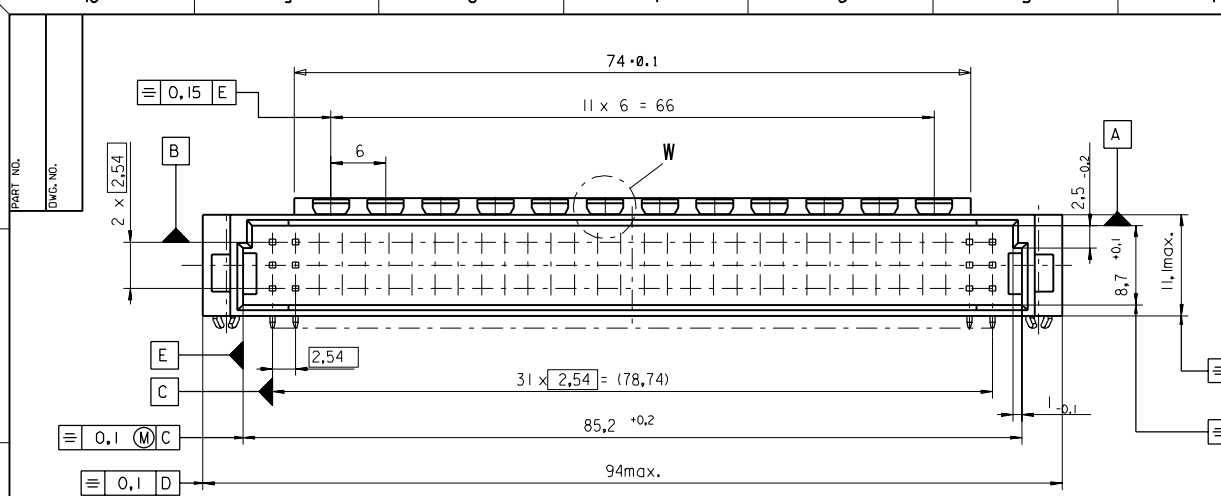
96 contacts

0,2 M

FIRST ANGLE PROJECTION REVISE ONLY ON CAD SYSTEM SH. REV.

ECN No. MG 1998-2744 98/03/04 Co	LTR REVISIONS FOR PREVIOUS REVISIONS SEE WRL LIST	UNLESS OTHERWISE SPECIFIED TOLERANCES: ANGULAR ±2'	DRWG BY Ca	SIGN	CAD/CAM PROJECT NAME 85003000 s11	THIS DRAWING CONTAINS INFORMATION THAT IS PROPRIETARY TO MOLEX INC. & SHOULD NOT BE USED WITHOUT WRITTEN PERMISSION
		INCH	CHK'D BY KN	SIGN		
		3 PLACE ± . ±	METRIC	APP'D BY JB	SIGN	TITLE 96 pos. Male connector acc. DIN 41612 style C Dimensions
		2 PLACE ± . ±	DRAFT WHERE APPLICABLE MUST REMAIN WITHIN DIMENSIONS	SCALE 2:1	SIGN	96 pos. Male connector acc. DIN 41612 style C Dimensions
1 PLACE ± . ±	DESIGN DIMENSION <input checked="" type="checkbox"/> MM <input type="checkbox"/> IN.				SHEET NO. DATE 1 OF 95/06/01	
	EQUIVALENT DIMENSION <input type="checkbox"/> MM <input type="checkbox"/> IN.				MOLEX EUROPE	SHEET NO. DATE 1 OF 95/06/01
	IF TWO DIMENSIONS ARE SHOWN THE UPPER IS THE DESIGN DIMENSION, LOWER IS SECONDARY				PART NO. SDA-85003-0001	SIZE B



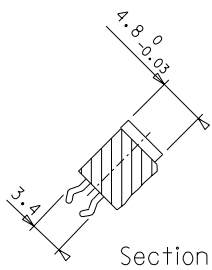
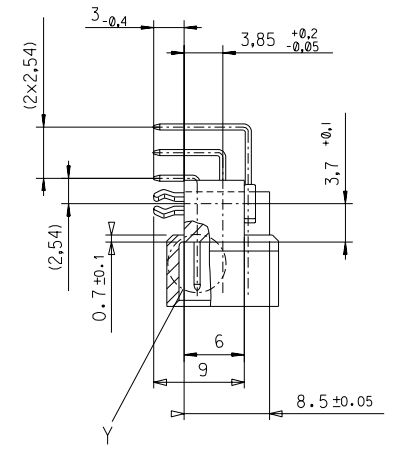
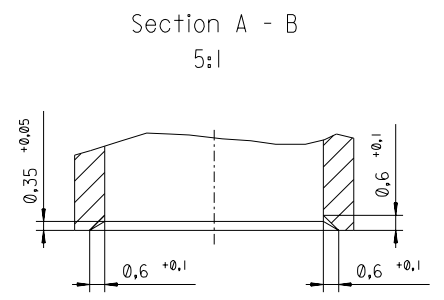
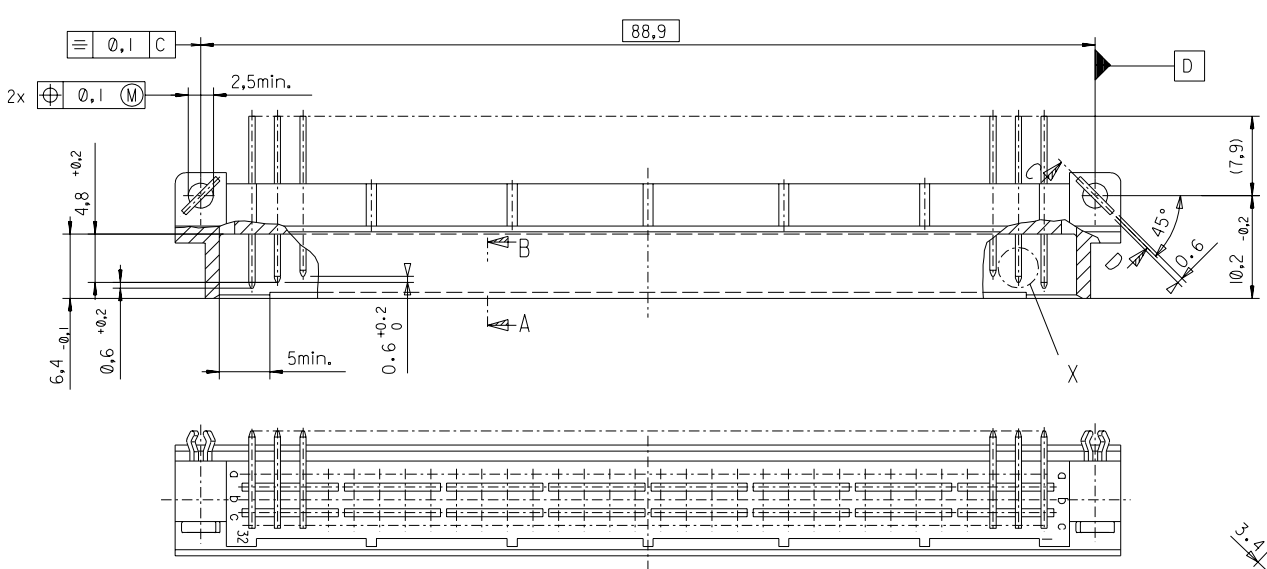
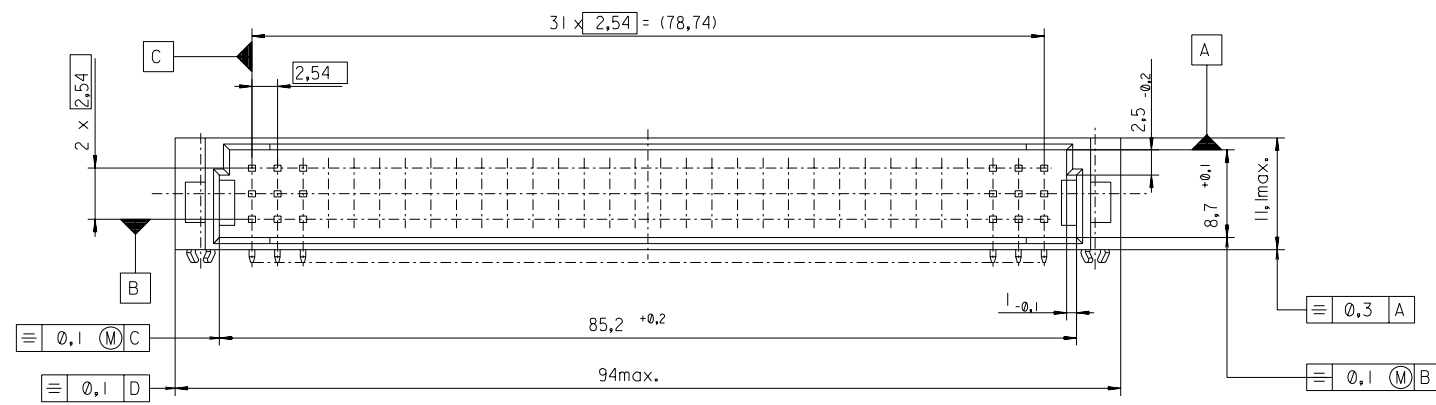


FIRST ANGLE PROJECTION		REVISE ONLY ON CAD SYSTEM		SH.	REV.
DRWG BY	SIGN	Ca	Ca		
CHK'D BY	SIGN	KN	KN		
APP'D BY	SIGN				
SCALE		2:1			
CAD/CAM PROJECT NAME		85003000 612			
TITLE		96 pos. Male connector acc. DIN 41612 style C coding device / Dimensions			
SHEET NO.		DATE			
2 OF		95/06/01			
PART NO.		DWG NO.		SIZE	
SDA-85003-0001		SDA-85003-0001		B	

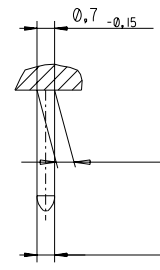
first release see ECN No. 1887
<b>REVISIONS</b>
UNLESS OTHERWISE SPECIFIED TOLERANCES: ANGULAR ±2°
INCH METRIC
3 PLACE ± . ±
2 PLACE ± . ±
1 PLACE ± . ±
DRAFT WHERE APPLICABLE MUST REMAIN WITHIN DIMENSIONS
DESIGN DIMENSION <input checked="" type="checkbox"/> MM
EQUIVALENT DIMENSION <input type="checkbox"/> MM
<input type="checkbox"/> IN.
<input type="checkbox"/> IN.
IF TWO DIMENSIONS ARE SHOWN THE UPPER IS THE DESIGN DIMENSION, LOWER IS SECONDARY



PART NO.  
DWG. NO.

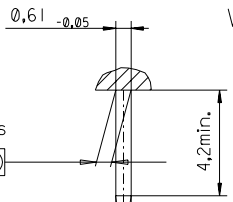


View X  
5:1



96 contacts  
 $\varnothing 0.06$  M  
 96 contacts  
 $\varnothing 0.2$  M

View Y  
5:1



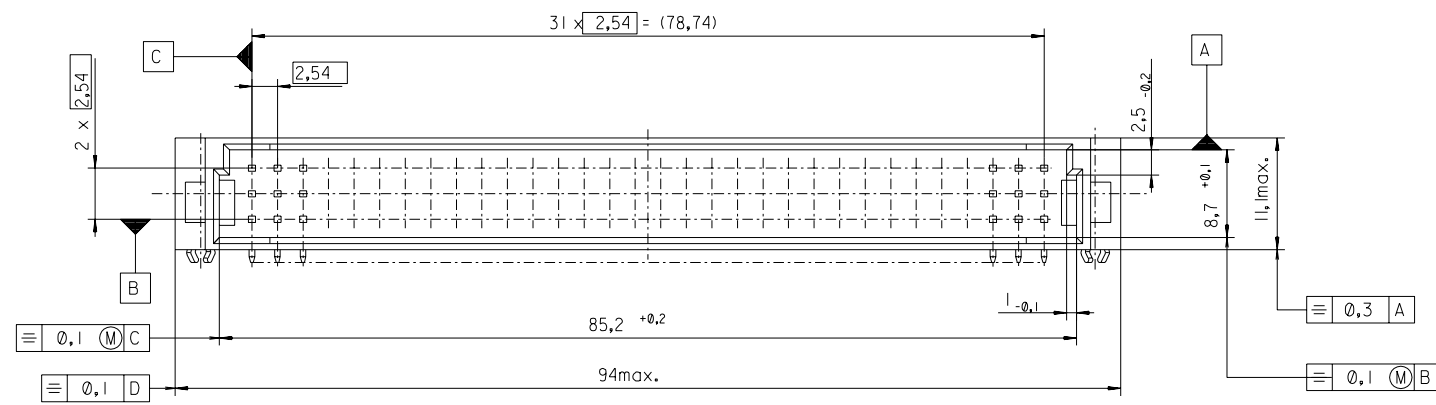
FIRST ANGLE PROJECTION REVISE ONLY ON CAD SYSTEM SH. REV.

ECN No. MG 1998-2744 98/03/04 Co	LTR REVISIONS FOR PREVIOUS REVISIONS SEE IRL LIST	UNLESS OTHERWISE SPECIFIED TOLERANCES: ANGULAR $\pm 2^\circ$	DRWG BY Ca	SIGN	CADCAM PROJECT NAME 85003000 s11	THIS DRAWING CONTAINS INFORMATION THAT IS PROPRIETARY TO MOLEX INC. & SHOULD NOT BE USED WITHOUT WRITTEN PERMISSION	
		INCH	CHK'D BY KN	SIGN	TITLE 96 pos. Male connector acc. DIN 41612 style C Dimensions		
		3 PLACE $\pm$ .	METRIC	APP'D BY JB	SIGN	SCALE 2:1	SHEET NO. DATE 1 OF 95/06/01
		2 PLACE $\pm$ .		DRAFT WHERE APPLICABLE MUST REMAIN WITHIN DIMENSIONS			
1 PLACE $\pm$ .		DESIGN DIMENSION <input checked="" type="checkbox"/> MM <input type="checkbox"/> IN.					
		EQUIVALENT DIMENSION <input type="checkbox"/> MM <input type="checkbox"/> IN.					
		IF TWO DIMENSIONS ARE SHOWN THE UPPER IS THE DESIGN DIMENSION, LOWER IS SECONDARY					

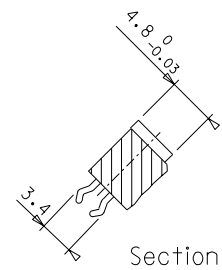
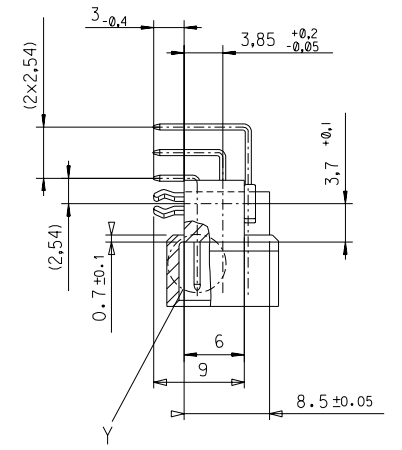
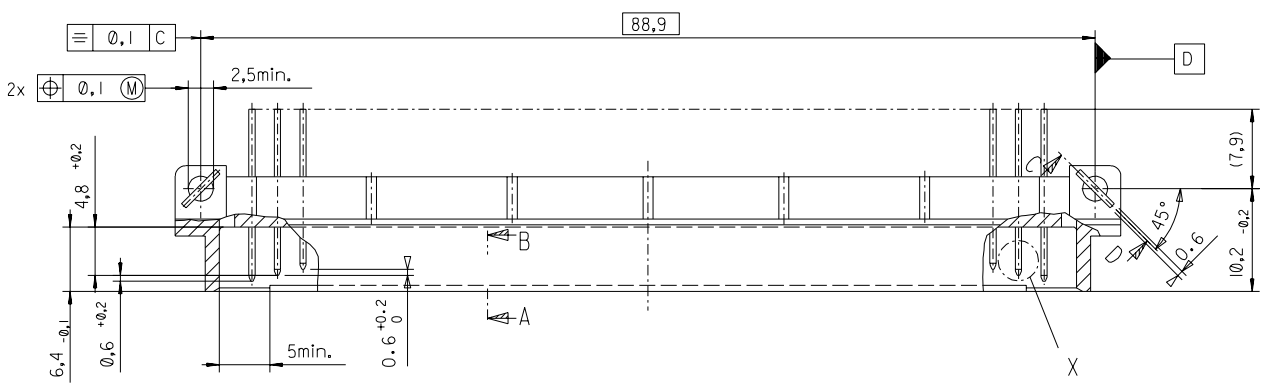
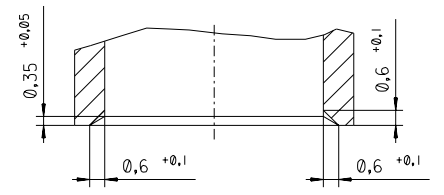
MOLEX EUROPE		SHEET NO. DATE
PART NO.		1 OF 95/06/01
DWG NO.		SIZE
SDA-85003-0001		B



PART NO.  
DWG. NO.

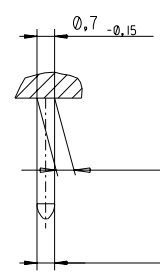


Section A - B  
5:1

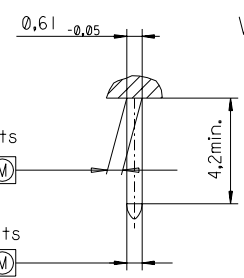


Section C - D

View X  
5:1



View Y  
5:1



FIRST ANGLE PROJECTION REVISE ONLY ON CAD SYSTEM SH. REV.

ECN No. MG 1998-2744 98/03/04 Co	LTR REVISIONS FOR PREVIOUS REVISIONS SEE WRL LIST	UNLESS OTHERWISE SPECIFIED TOLERANCES: ANGULAR ±2'	DRWG BY Ca	SIGN	CADCAM PROJECT NAME 85003000 s11	THIS DRAWING CONTAINS INFORMATION THAT IS PROPRIETARY TO MOLEX INC. & SHOULD NOT BE USED WITHOUT WRITTEN PERMISSION
		INCH METRIC	CHK'D BY KN	SIGN	TITLE 96 pos. Male connector acc. DIN 41612 style C Dimensions	
		3 PLACE ± . ±	APP'D BY JB	SIGN	SHEET NO. DATE 1 OF 95/06/01	
		2 PLACE ± . ±	SCALE 2:1	SCALE	PART NO. DWG NO. SIZE SDA-85003-0001 B	

1 PLACE ± . ±	DRAFT WHERE APPLICABLE MUST REMAIN WITHIN DIMENSIONS
DESIGN DIMENSION <input checked="" type="checkbox"/> MM <input type="checkbox"/> IN.	
EQUIVALENT DIMENSION <input type="checkbox"/> MM <input type="checkbox"/> IN.	
IF TWO DIMENSIONS ARE SHOWN THE UPPER IS THE DESIGN DIMENSION, LOWER IS SECONDARY	

MOLEX EUROPE		SHEET NO. DATE 1 OF 95/06/01
PART NO.	DWG NO.	SIZE
SDA-85003-0001		B



View on mating side

o	C	C	C	C	C	C	C	C	C	C	C	C	C	C	C	C
o																
o	A	A	A	A	A	A	A	A	A	A	A	A	A	A	A	A

N T O Q R S U V W X Y Z [ \ ] ^ \_ ` a b c d e f g h i j k l m n o p q r s t u v w x y z

A = 16 standard contacts L=3

C = 16 standard contacts L=3

S = 32 total number of contacts

Marking	Standard
Performance level	G2/0 = Contact area level2 / Termination tin
Flux proof	no
Fixing clip	no
Dimensions	SDA-85003-0001 sht.1
Technical Data	PS-85003-0001

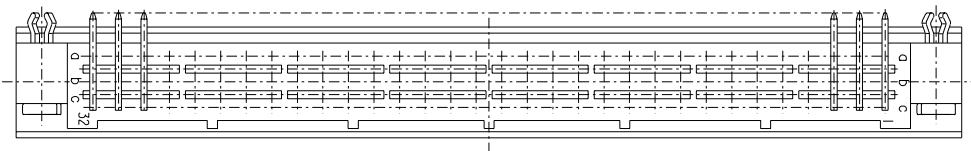
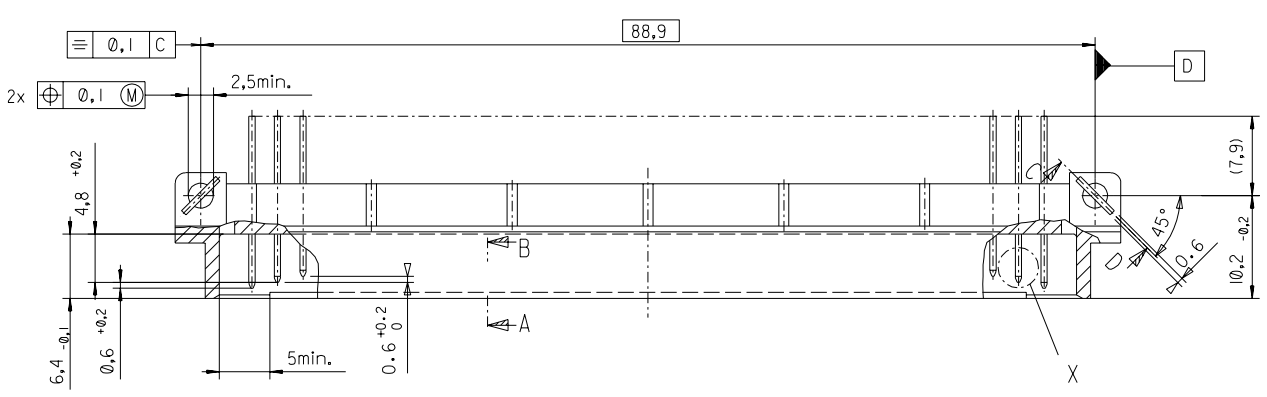
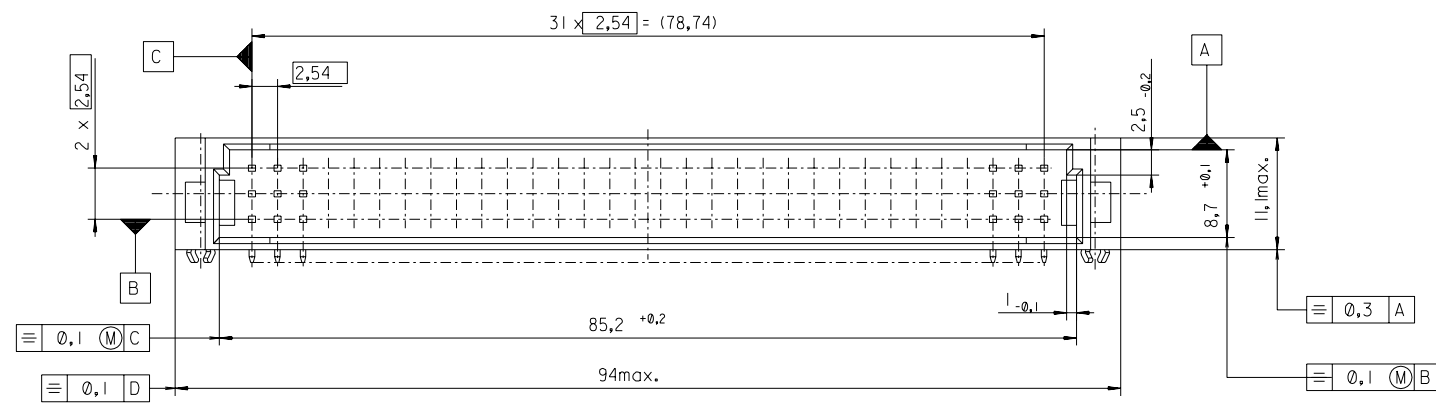
C	G2/0	c2,4,6,8,10,12,14,16,18,20,22,24,26,28,30,32,
A	G2/0	a2,4,6,8,10,12,14,16,18,20,22,24,26,28,30,32
Contact symbol	Perform. level	Contact position number

see ECN No. 2185	96/07/03 Cd	REVISIONS	FOR PREVIOUS REVISIONS SEE MRI LIST
	LTR		

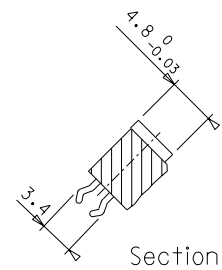
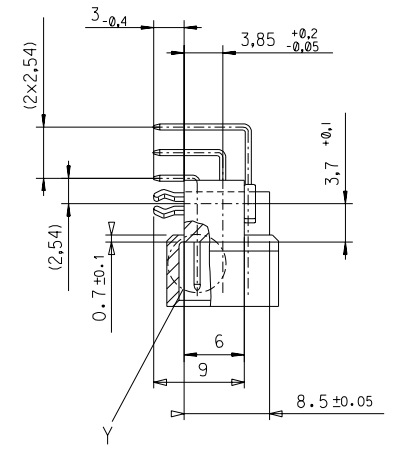
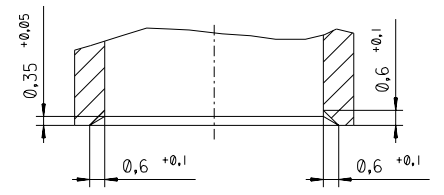
UNLESS OTHERWISE SPECIFIED TOLERANCES: ANGULAR ±2°	DRWG BY	SIGN
3 PLACE ± .	Cd	
2 PLACE ± .	CHK'D BY	
1 PLACE ± .	KN	
DRAFT WHERE APPLICABLE MUST REMAIN WITHIN DIMENSIONS	APP'D BY	
DESIGN DIMENSION <input type="checkbox"/> MM <input type="checkbox"/> IN.	SCALE	
EQUIVALENT DIMENSION <input type="checkbox"/> MM <input type="checkbox"/> IN.		
IF TWO DIMENSIONS ARE SHOWN THE UPPER IS THE DESIGN DIMENSION, LOWER IS SECONDARY		

REVISE ONLY ON CAD SYSTEM		SH.	REV.
CADCAM PROJECT NAME	THIS DRAWING CONTAINS INFORMATION THAT IS PROPRIETARY TO MOLEX INC. & SHOULD NOT BE USED WITHOUT WRITTEN PERMISSION		
s8500302 s21			
TITLE	96 pos. Male connector acc. DIN 41612 style C contacts arrangement		
	SHEET NO.	DATE	
	1 OF 1	95/05/22	
	DWG NO.		SIZE
	85003-0220		SDA-85003-0220 A

PART NO.  
DWG. NO.

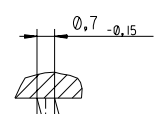


Section A - B  
5:1

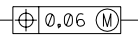


Section C - D

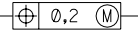
View X  
5:1



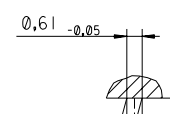
96 contacts



96 contacts



View Y  
5:1



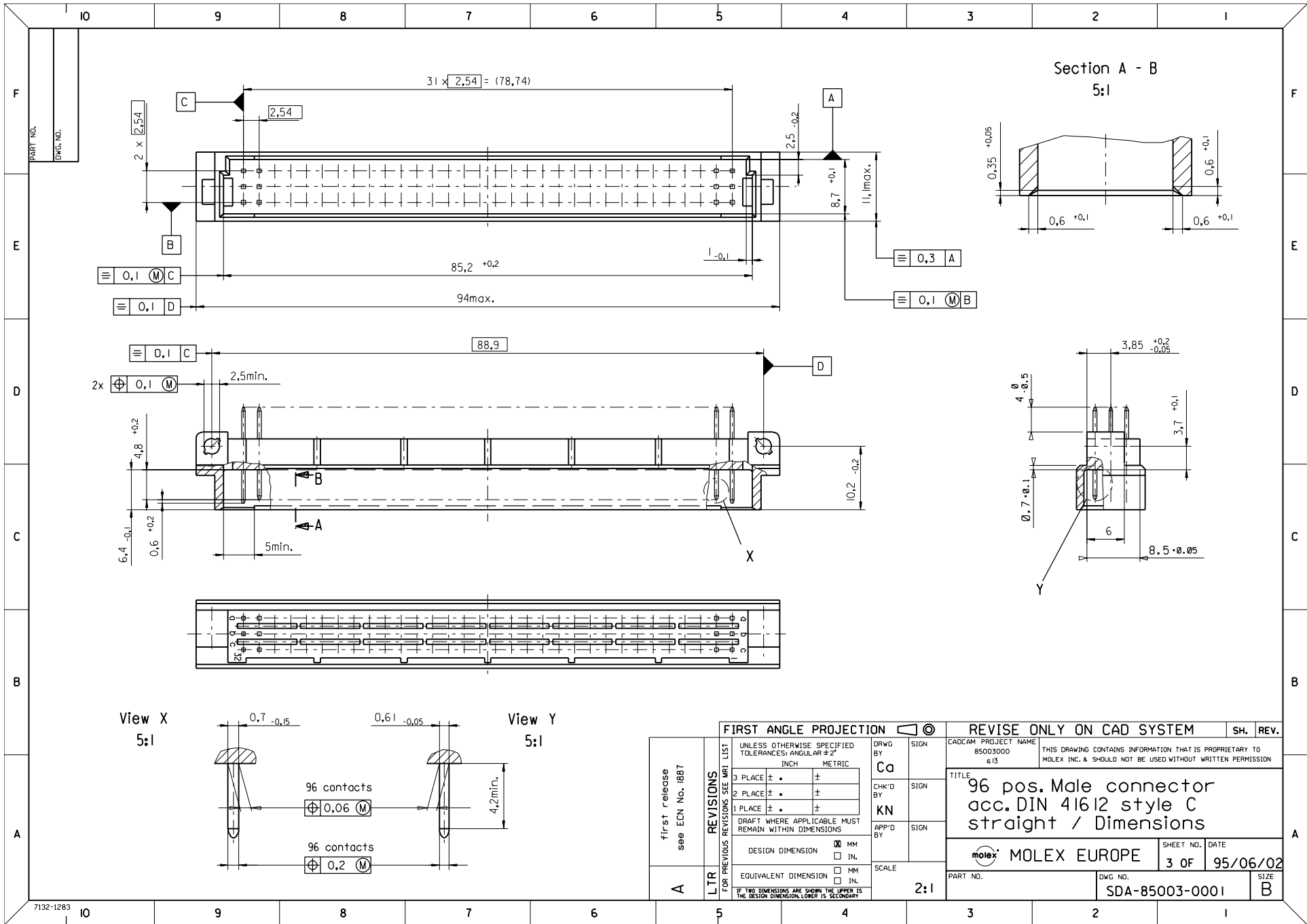
4,2min.

FIRST ANGLE PROJECTION REVISE ONLY ON CAD SYSTEM SH. REV.

ECN No. MG 1998-2744 98/03/04 Co	LTR REVISIONS FOR PREVIOUS REVISIONS SEE IRL LIST	UNLESS OTHERWISE SPECIFIED TOLERANCES: ANGULAR ±2'	DRWG BY Ca	SIGN	CADCAM PROJECT NAME 85003000 s11	THIS DRAWING CONTAINS INFORMATION THAT IS PROPRIETARY TO MOLEX INC. & SHOULD NOT BE USED WITHOUT WRITTEN PERMISSION
		INCH	CHK'D BY KN	SIGN	TITLE 96 pos. Male connector acc. DIN 41612 style C Dimensions	
		METRIC	APP'D BY JB	SIGN	SHEET NO. DATE 1 OF 95/06/01	
		DRAFT WHERE APPLICABLE MUST REMAIN WITHIN DIMENSIONS	SCALE 2:1	PART NO. SDA-85003-0001		
DESIGN DIMENSION <input checked="" type="checkbox"/> MM <input type="checkbox"/> IN.	EQUIVALENT DIMENSION <input type="checkbox"/> MM <input type="checkbox"/> IN.	IF TWO DIMENSIONS ARE SHOWN THE UPPER IS THE DESIGN DIMENSION, LOWER IS SECONDARY	SCALE	2:1	DWG NO.	SIZE B







PART NO.  
DWG. NO.

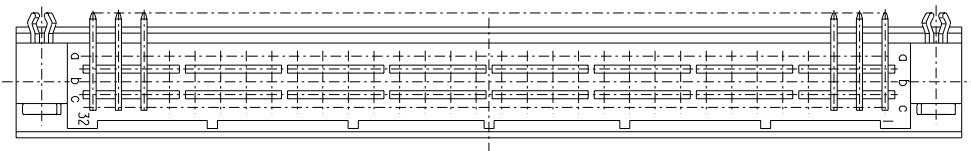
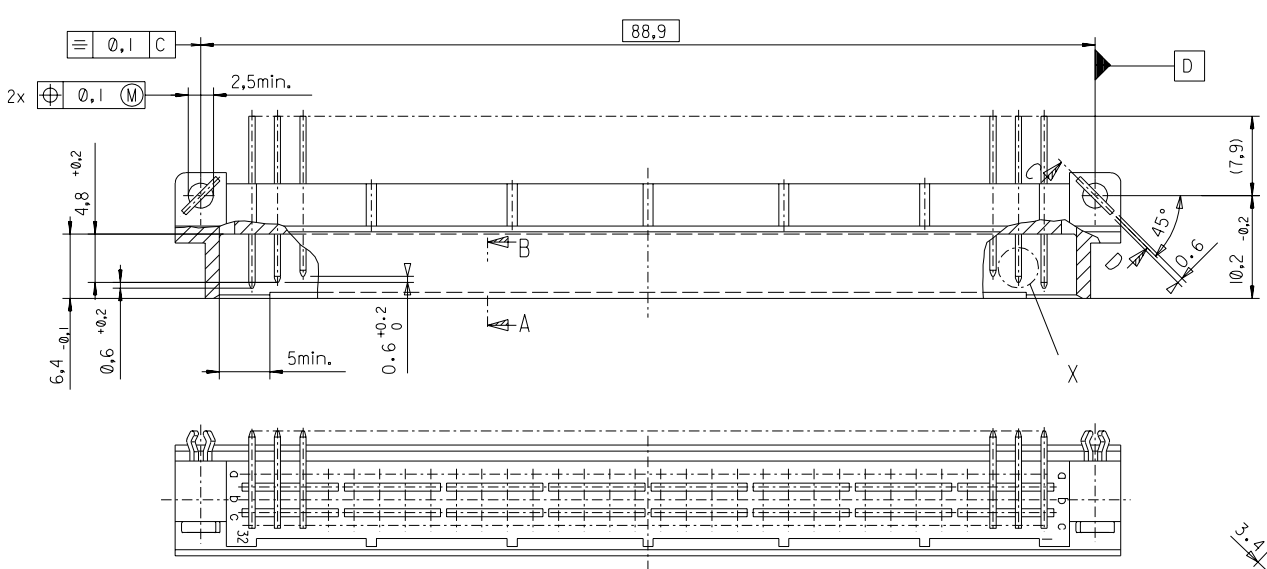
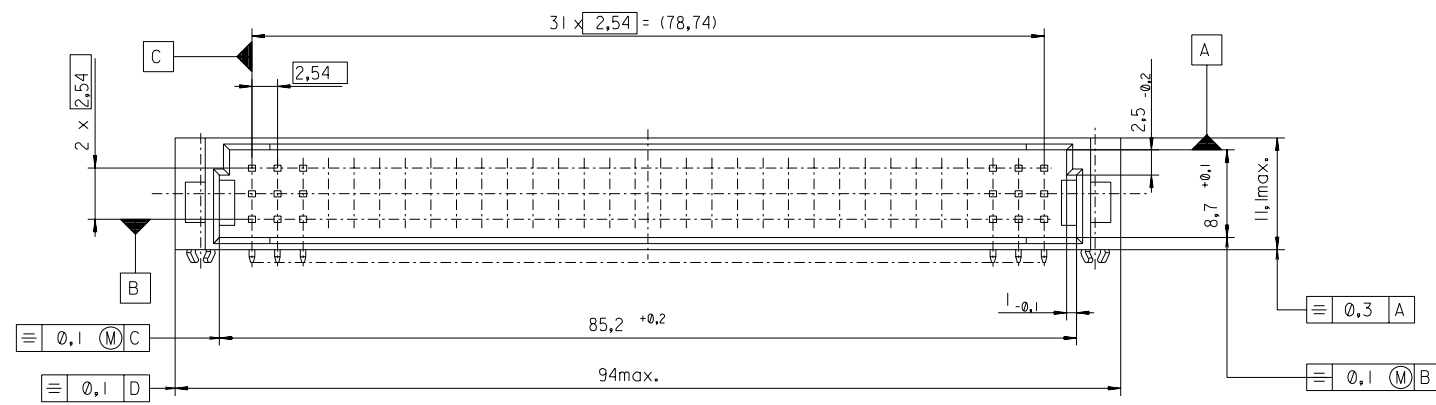
Section A - B  
5:1

View X  
5:1

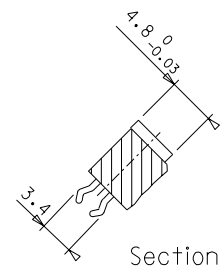
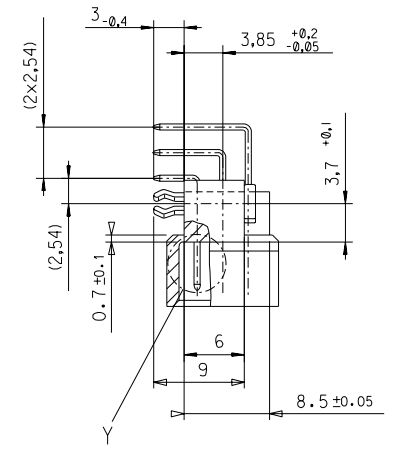
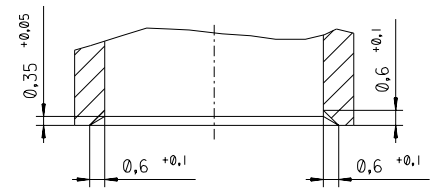
View Y  
5:1

first release see ECN No. 1887  A	LTR REVISIONS FOR PREVIOUS REVISIONS SEE MRI LIST	FIRST ANGLE PROJECTION		REVISE ONLY ON CAD SYSTEM		SH.	REV.	
		UNLESS OTHERWISE SPECIFIED TOLERANCES: ANGULAR ±2° INCH      METRIC		DRWG BY Ca	SIGN	CAD/CAM PROJECT NAME 85003000 613		
		3 PLACE ± .      ± 2 PLACE ± .      ± 1 PLACE ± .      ±		CHK'D BY KN	SIGN	TITLE 96 pos. Male connector acc. DIN 41612 style C straight / Dimensions		
		DRAFT WHERE APPLICABLE MUST REMAIN WITHIN DIMENSIONS  DESIGN DIMENSION <input checked="" type="checkbox"/> MM <input type="checkbox"/> IN.  EQUIVALENT DIMENSION <input type="checkbox"/> MM <input type="checkbox"/> IN.		APP'D BY	SIGN	MOLEX EUROPE		
IF TWO DIMENSIONS ARE SHOWN THE UPPER IS THE DESIGN DIMENSION, LOWER IS SECONDARY		SCALE 2:1	SHEET NO. DATE 3 OF 95/06/02		PART NO. DWG NO. SDA-85003-0001		SIZE B	

PART NO.  
DWG. NO.

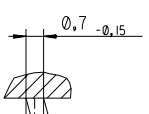


Section A - B  
5:1



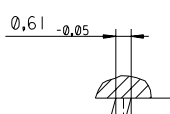
Section C - D

View X  
5:1



96 contacts  
0,06 M

View Y  
5:1



96 contacts  
0,2 M



FIRST ANGLE PROJECTION REVISE ONLY ON CAD SYSTEM SH. REV.

ECN No. MG 1998-2744	98/03/04 Co	REVISIONS FOR PREVIOUS REVISIONS SEE IRL LIST
LTR		

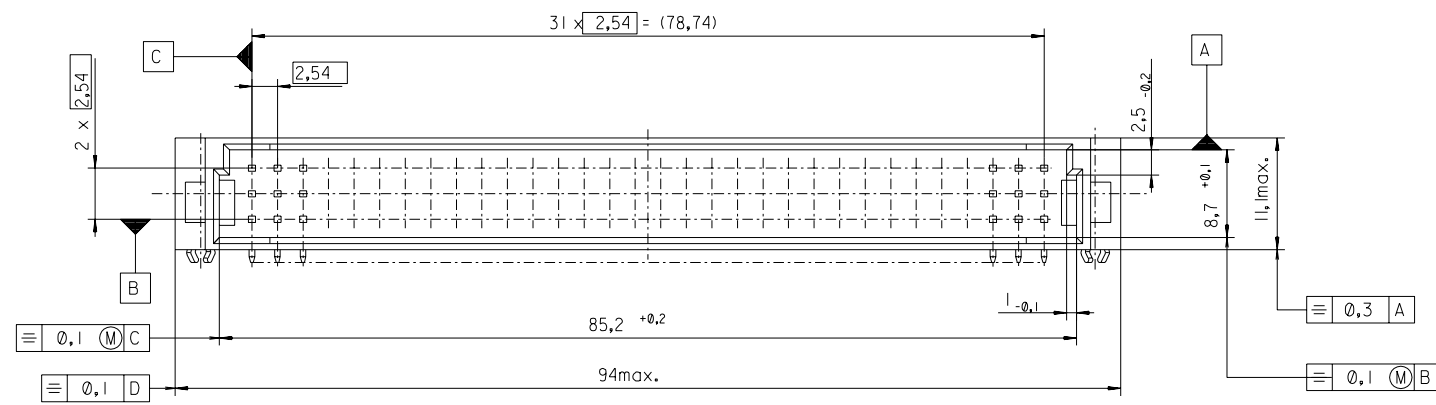
UNLESS OTHERWISE SPECIFIED TOLERANCES: ANGULAR ±2'		DRWG BY	SIGN
INCH		Ca	
METRIC		CHK'D BY	SIGN
3 PLACE ± .		KN	
2 PLACE ± .		APP'D BY	SIGN
1 PLACE ± .		JB	
DRAFT WHERE APPLICABLE MUST REMAIN WITHIN DIMENSIONS			
DESIGN DIMENSION	<input checked="" type="checkbox"/> MM	SCALE	
	<input type="checkbox"/> IN.	2:1	
EQUIVALENT DIMENSION	<input type="checkbox"/> MM		
	<input type="checkbox"/> IN.		
IF TWO DIMENSIONS ARE SHOWN THE UPPER IS THE DESIGN DIMENSION, LOWER IS SECONDARY			

DRWG BY	SIGN
Ca	
CHK'D BY	SIGN
KN	
APP'D BY	SIGN
JB	
SCALE	
2:1	

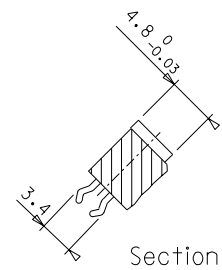
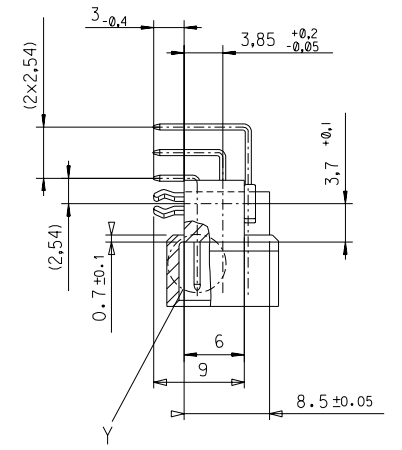
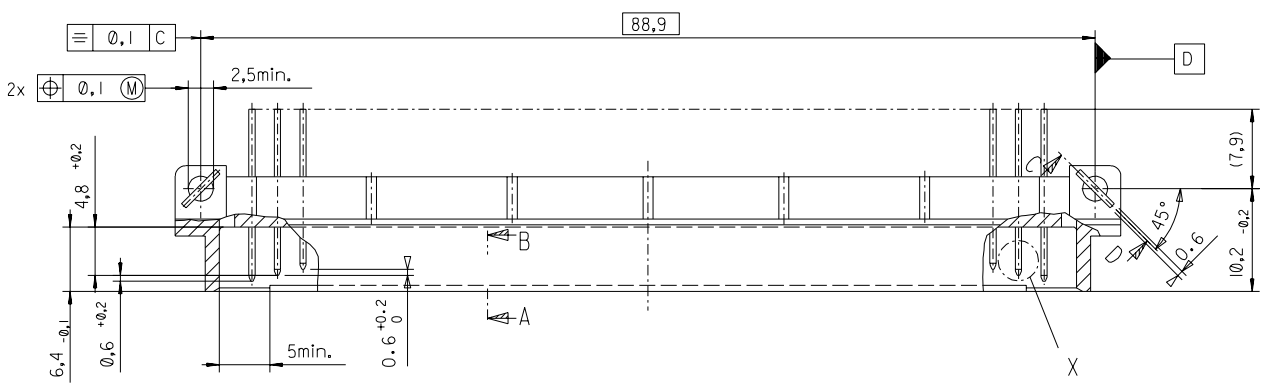
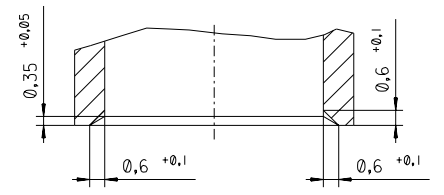
CAD/CAM PROJECT NAME		SH.	REV.
85003000 s11			
THIS DRAWING CONTAINS INFORMATION THAT IS PROPRIETARY TO MOLEX INC. & SHOULD NOT BE USED WITHOUT WRITTEN PERMISSION			
TITLE			
96 pos. Male connector acc. DIN 41612 style C Dimensions			
MOLEX EUROPE		SHEET NO.	DATE
		1 OF	95/06/01
PART NO.	DWG NO.	SIZE	
	SDA-85003-0001	B	



PART NO.  
DWG. NO.

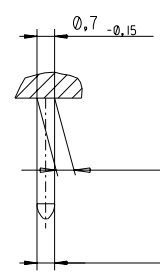


Section A - B  
5:1

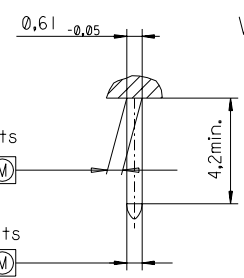


Section C - D

View X  
5:1



View Y  
5:1



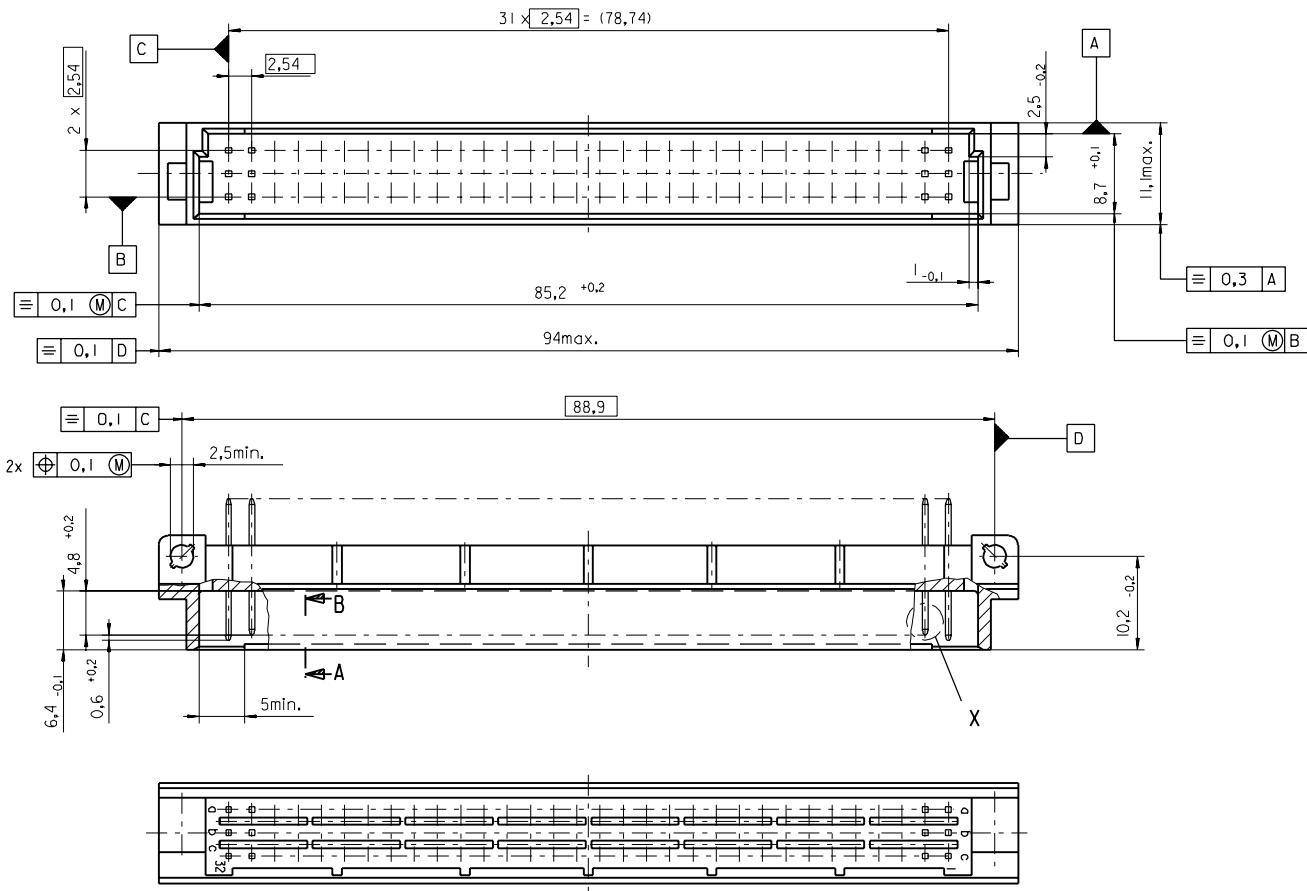
FIRST ANGLE PROJECTION REVISE ONLY ON CAD SYSTEM SH. REV.

ECN No. MG 1998-2744 98/03/04 Co	LTR REVISIONS FOR PREVIOUS REVISIONS SEE IRL LIST	UNLESS OTHERWISE SPECIFIED TOLERANCES: ANGULAR ±2'	DRWG BY Ca	SIGN	CAD/CAM PROJECT NAME 85003000 s11	THIS DRAWING CONTAINS INFORMATION THAT IS PROPRIETARY TO MOLEX INC. & SHOULD NOT BE USED WITHOUT WRITTEN PERMISSION
		INCH	CHK'D BY KN	SIGN		
		3 PLACE ± . ±	METRIC	APP'D BY JB	SIGN	TITLE 96 pos. Male connector acc. DIN 41612 style C Dimensions
		2 PLACE ± . ±	1 PLACE ± . ±	DRAFT WHERE APPLICABLE MUST REMAIN WITHIN DIMENSIONS		SCALE 2:1
		DESIGN DIMENSION <input checked="" type="checkbox"/> MM <input type="checkbox"/> IN.			MOLEX MOLEX EUROPE	
		EQUIVALENT DIMENSION <input type="checkbox"/> MM <input type="checkbox"/> IN.			PART NO.	DWG NO. SDA-85003-0001
		IF TWO DIMENSIONS ARE SHOWN THE UPPER IS THE DESIGN DIMENSION, LOWER IS SECONDARY				SIZE B



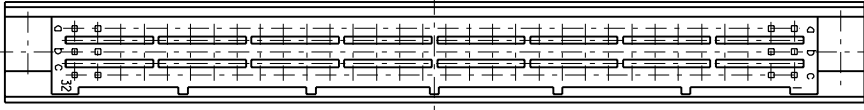
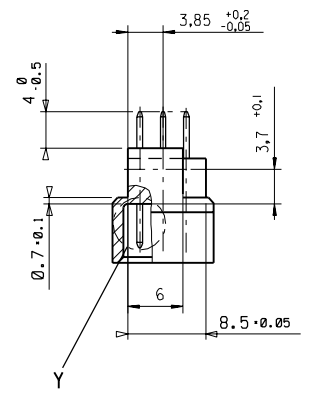
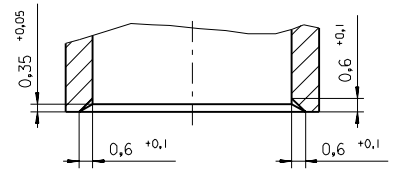


PART NO.  
DWG. NO.

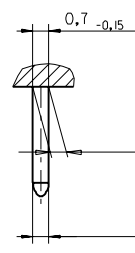


Section A - B

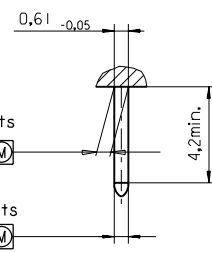
5:1



View X  
5:1



View Y  
5:1



FIRST ANGLE PROJECTION

UNLESS OTHERWISE SPECIFIED TOLERANCES: ANGULAR ±2°	INCH		METRIC	
	3 PLACE ± .	±	±	±
2 PLACE ± .	±	±	±	±
1 PLACE ± .	±	±	±	±
DRAFT WHERE APPLICABLE MUST REMAIN WITHIN DIMENSIONS				
DESIGN DIMENSION	<input checked="" type="checkbox"/>	MM	<input type="checkbox"/>	IN.
EQUIVALENT DIMENSION	<input type="checkbox"/>	MM	<input type="checkbox"/>	IN.
IF TWO DIMENSIONS ARE SHOWN THE UPPER IS THE DESIGN DIMENSION, LOWER IS SECONDARY				

DRWG BY	SIGN	Ca	
CHK'D BY	SIGN		KN
APP'D BY	SIGN		
SCALE	2:1		

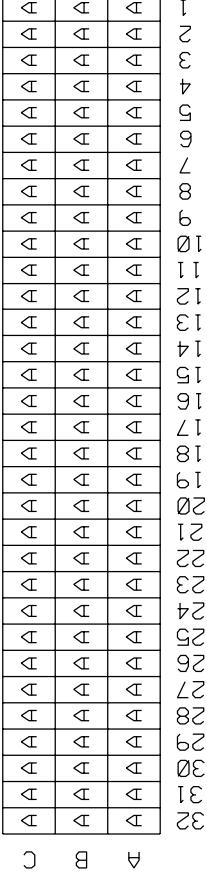
REVISE ONLY ON CAD SYSTEM

SH.	REV.
85003000	613
THIS DRAWING CONTAINS INFORMATION THAT IS PROPRIETARY TO MOLEX INC. & SHOULD NOT BE USED WITHOUT WRITTEN PERMISSION	
TITLE	
96 pos. Male connector acc. DIN 41612 style C straight / Dimensions	
MOLEX MOLEX EUROPE	
SHEET NO.	DATE
3 OF	95/06/02
PART NO.	DWG NO.
SDA-85003-0001	B

first release see ECN No. 1887	LTR	REVISIONS
		FOR PREVIOUS REVISIONS SEE MRI LIST

5 4 3 2

VIEW ON MATING SIDE



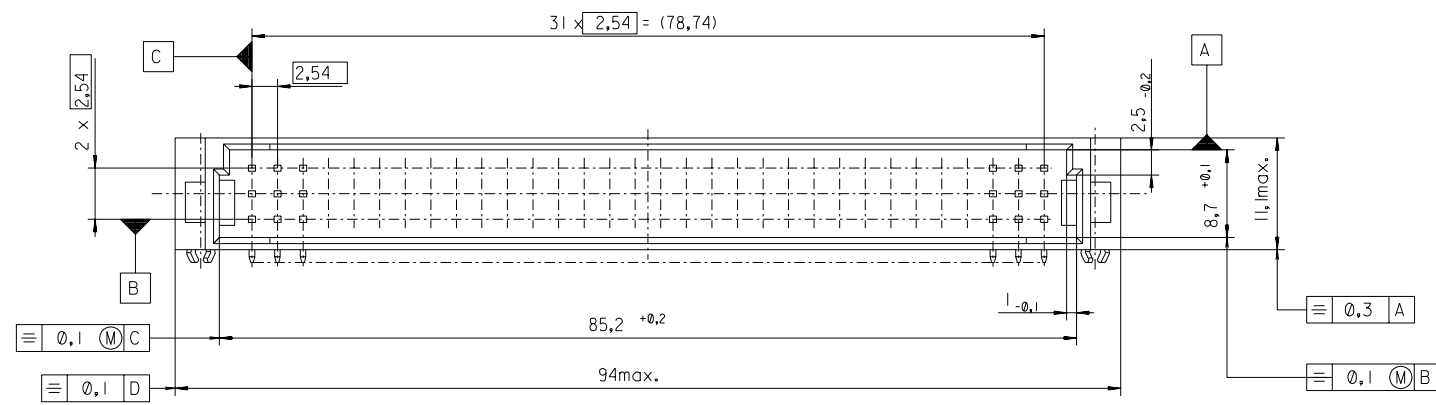
E A = 96 STANDARD CONTACTS STRAIGHT L=4

Marking	Standard
Performance level	G2/0 = Contact area level2 / Termination tin
Flux proof	no
Fixing clip	no
Dimensions	SDA-85003-0001 sht.3
Technical Data	PS-85003-0001

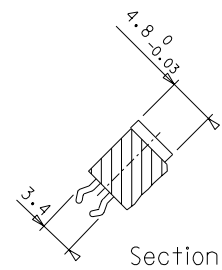
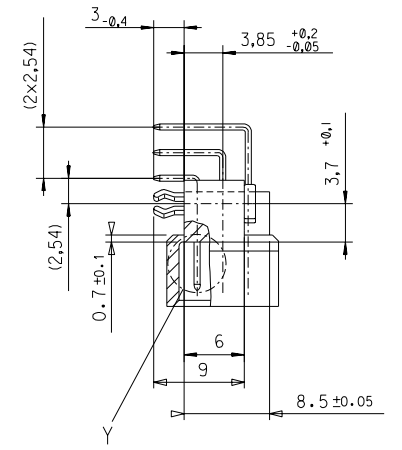
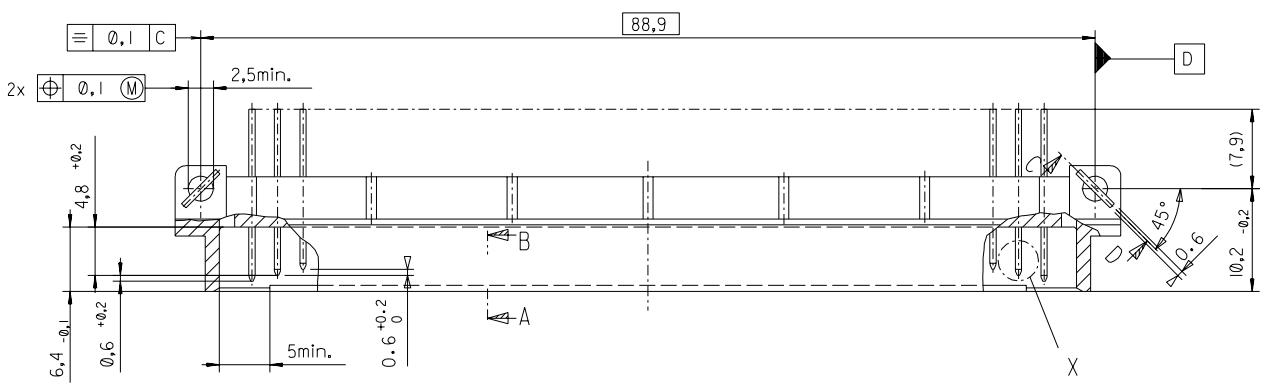
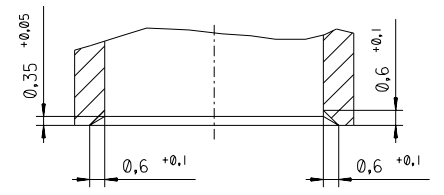
A	G2/0	a1-32, b1-32, c1-32
Contact symbol	Perform. level	Contact position number

<p>see ECN No. 2185 96/07/02 Co</p>	<p><b>REVISIONS</b></p> <table border="1" style="width: 100%; border-collapse: collapse;"> <tr> <th style="width: 5%;">LTR</th> <th style="width: 15%;">REV</th> <th style="width: 45%;">DESCRIPTION</th> <th style="width: 10%;">DATE</th> <th style="width: 15%;">BY</th> </tr> <tr> <td> </td> <td> </td> <td> </td> <td> </td> <td> </td> </tr> </table>	LTR	REV	DESCRIPTION	DATE	BY						<p>FOR PREVIOUS REVISIONS SEE MRI LIST</p> <table border="1" style="width: 100%; border-collapse: collapse;"> <tr> <td style="width: 33%;">UNLESS OTHERWISE SPECIFIED TOLERANCES: ANGULAR ±2°</td> <td style="width: 33%;">DRWG BY</td> <td style="width: 33%;">SIGN</td> </tr> <tr> <td style="text-align: center;">INCH METRIC</td> <td style="text-align: center;">Co</td> <td style="text-align: center;"> </td> </tr> <tr> <td>3 PLACE ±</td> <td>CHK'D BY</td> <td>SIGN</td> </tr> <tr> <td>2 PLACE ±</td> <td style="text-align: center;">KN</td> <td style="text-align: center;"> </td> </tr> <tr> <td>1 PLACE ±</td> <td>APP'D BY</td> <td>SIGN</td> </tr> <tr> <td>DRAFT WHERE APPLICABLE MUST REMAIN WITHIN DIMENSIONS</td> <td>SCALE</td> <td> </td> </tr> <tr> <td>DESIGN DIMENSION <input type="checkbox"/> MM <input type="checkbox"/> IN.</td> <td> </td> <td> </td> </tr> <tr> <td>EQUIVALENT DIMENSION <input type="checkbox"/> MM <input type="checkbox"/> IN.</td> <td> </td> <td> </td> </tr> <tr> <td colspan="3" style="font-size: small;">IF TWO DIMENSIONS ARE SHOWN, THE UPPER IS THE DESIGN DIMENSION, LOWER IS SECONDARY</td> </tr> </table>	UNLESS OTHERWISE SPECIFIED TOLERANCES: ANGULAR ±2°	DRWG BY	SIGN	INCH METRIC	Co		3 PLACE ±	CHK'D BY	SIGN	2 PLACE ±	KN		1 PLACE ±	APP'D BY	SIGN	DRAFT WHERE APPLICABLE MUST REMAIN WITHIN DIMENSIONS	SCALE		DESIGN DIMENSION <input type="checkbox"/> MM <input type="checkbox"/> IN.			EQUIVALENT DIMENSION <input type="checkbox"/> MM <input type="checkbox"/> IN.			IF TWO DIMENSIONS ARE SHOWN, THE UPPER IS THE DESIGN DIMENSION, LOWER IS SECONDARY			<table border="1" style="width: 100%; border-collapse: collapse;"> <tr> <td style="width: 50%;">CAD/CAM PROJECT NAME</td> <td style="width: 50%;">SH. REV.</td> </tr> <tr> <td>s8500302 s11</td> <td> </td> </tr> <tr> <td colspan="2" style="font-size: x-small;">THIS DRAWING CONTAINS INFORMATION THAT IS PROPRIETARY TO MOLEX INC. &amp; SHOULD NOT BE USED WITHOUT WRITTEN PERMISSION</td> </tr> <tr> <td colspan="2" style="text-align: center;">TITLE</td> </tr> <tr> <td colspan="2" style="text-align: center;">96 pos. Male connector acc. DIN 41612 style C contacts arr. (straight)</td> </tr> <tr> <td style="width: 50%; text-align: center;">  MOLEX EUROPE             </td> <td style="width: 50%; text-align: center;">                 SHEET NO.   DATE                  1 OF 1   95/05/22             </td> </tr> <tr> <td style="width: 50%;">PART NO.</td> <td style="width: 50%;">SIZE</td> </tr> <tr> <td>85003-0218</td> <td>SDA-85003-0218 A</td> </tr> </table>	CAD/CAM PROJECT NAME	SH. REV.	s8500302 s11		THIS DRAWING CONTAINS INFORMATION THAT IS PROPRIETARY TO MOLEX INC. & SHOULD NOT BE USED WITHOUT WRITTEN PERMISSION		TITLE		96 pos. Male connector acc. DIN 41612 style C contacts arr. (straight)		MOLEX EUROPE	SHEET NO.   DATE 1 OF 1   95/05/22	PART NO.	SIZE	85003-0218	SDA-85003-0218 A
LTR	REV	DESCRIPTION	DATE	BY																																																				
UNLESS OTHERWISE SPECIFIED TOLERANCES: ANGULAR ±2°	DRWG BY	SIGN																																																						
INCH METRIC	Co																																																							
3 PLACE ±	CHK'D BY	SIGN																																																						
2 PLACE ±	KN																																																							
1 PLACE ±	APP'D BY	SIGN																																																						
DRAFT WHERE APPLICABLE MUST REMAIN WITHIN DIMENSIONS	SCALE																																																							
DESIGN DIMENSION <input type="checkbox"/> MM <input type="checkbox"/> IN.																																																								
EQUIVALENT DIMENSION <input type="checkbox"/> MM <input type="checkbox"/> IN.																																																								
IF TWO DIMENSIONS ARE SHOWN, THE UPPER IS THE DESIGN DIMENSION, LOWER IS SECONDARY																																																								
CAD/CAM PROJECT NAME	SH. REV.																																																							
s8500302 s11																																																								
THIS DRAWING CONTAINS INFORMATION THAT IS PROPRIETARY TO MOLEX INC. & SHOULD NOT BE USED WITHOUT WRITTEN PERMISSION																																																								
TITLE																																																								
96 pos. Male connector acc. DIN 41612 style C contacts arr. (straight)																																																								
MOLEX EUROPE	SHEET NO.   DATE 1 OF 1   95/05/22																																																							
PART NO.	SIZE																																																							
85003-0218	SDA-85003-0218 A																																																							

PART NO.  
DWG. NO.

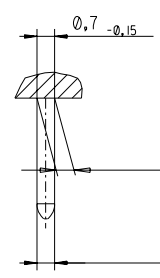


Section A - B  
5:1

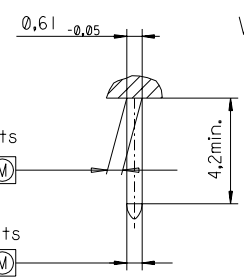


Section C - D

View X  
5:1



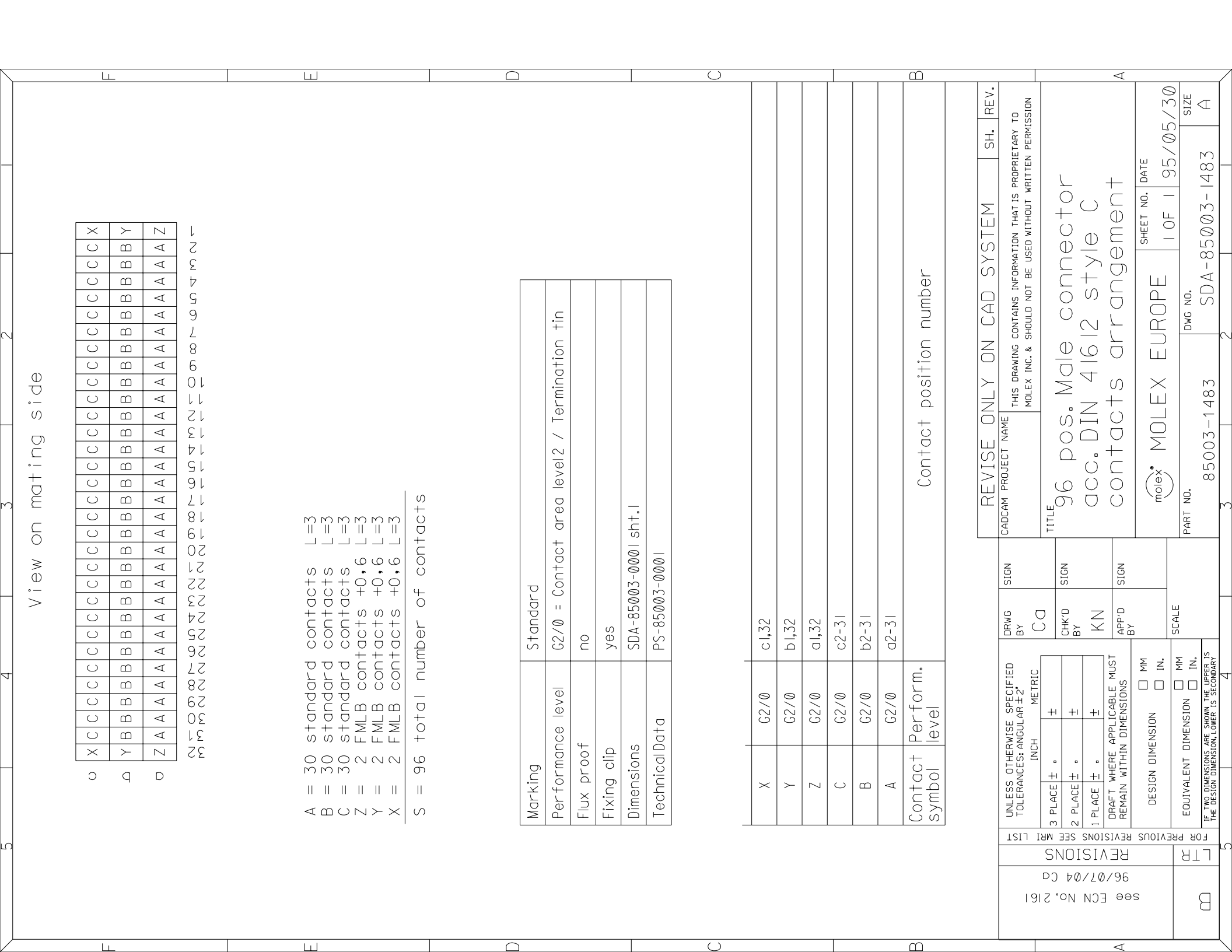
View Y  
5:1



FIRST ANGLE PROJECTION REVISE ONLY ON CAD SYSTEM SH. REV.

ECN No. MG 1998-2744 98/03/04 Co	LTR REVISIONS FOR PREVIOUS REVISIONS SEE IRL LIST	UNLESS OTHERWISE SPECIFIED TOLERANCES: ANGULAR ±2°	DRWG BY Ca	SIGN	CADCAM PROJECT NAME 85003000 s11	THIS DRAWING CONTAINS INFORMATION THAT IS PROPRIETARY TO MOLEX INC. & SHOULD NOT BE USED WITHOUT WRITTEN PERMISSION
		INCH	CHK'D BY KN	SIGN	TITLE 96 pos. Male connector acc. DIN 41612 style C Dimensions	
		METRIC	APP'D BY JB	SIGN	SCALE 2:1	SHEET NO. DATE 1 OF 95/06/01
		DRAFT WHERE APPLICABLE MUST REMAIN WITHIN DIMENSIONS	DESIGN DIMENSION <input checked="" type="checkbox"/> MM <input type="checkbox"/> IN.	EQUIVALENT DIMENSION <input type="checkbox"/> MM <input type="checkbox"/> IN.	SCALE	PART NO.

96 contacts		0,06 M
96 contacts		0,2 M
MOLEX EUROPE		95/06/01
SDA-85003-0001		B



0	X	C	C	C	C	C	C	C	C	C	C	C	C	C	C	C	C	C	C	C	C	C	C	C	C	C	X
1	Y	B	B	B	B	B	B	B	B	B	B	B	B	B	B	B	B	B	B	B	B	B	B	B	B	B	Y
2	Z	A	A	A	A	A	A	A	A	A	A	A	A	A	A	A	A	A	A	A	A	A	A	A	A	A	Z

N T O Q R S U V W X Y Z [ \ ] ^ \_ ` a b c d e f g h i j k l m n o p q r s t u v w x y z

A = 30 standard contacts L=3  
 B = 30 standard contacts L=3  
 C = 30 standard contacts L=3  
 Z = 2 FMLB contacts +0,6 L=3  
 Y = 2 FMLB contacts +0,6 L=3  
 X = 2 FMLB contacts +0,6 L=3

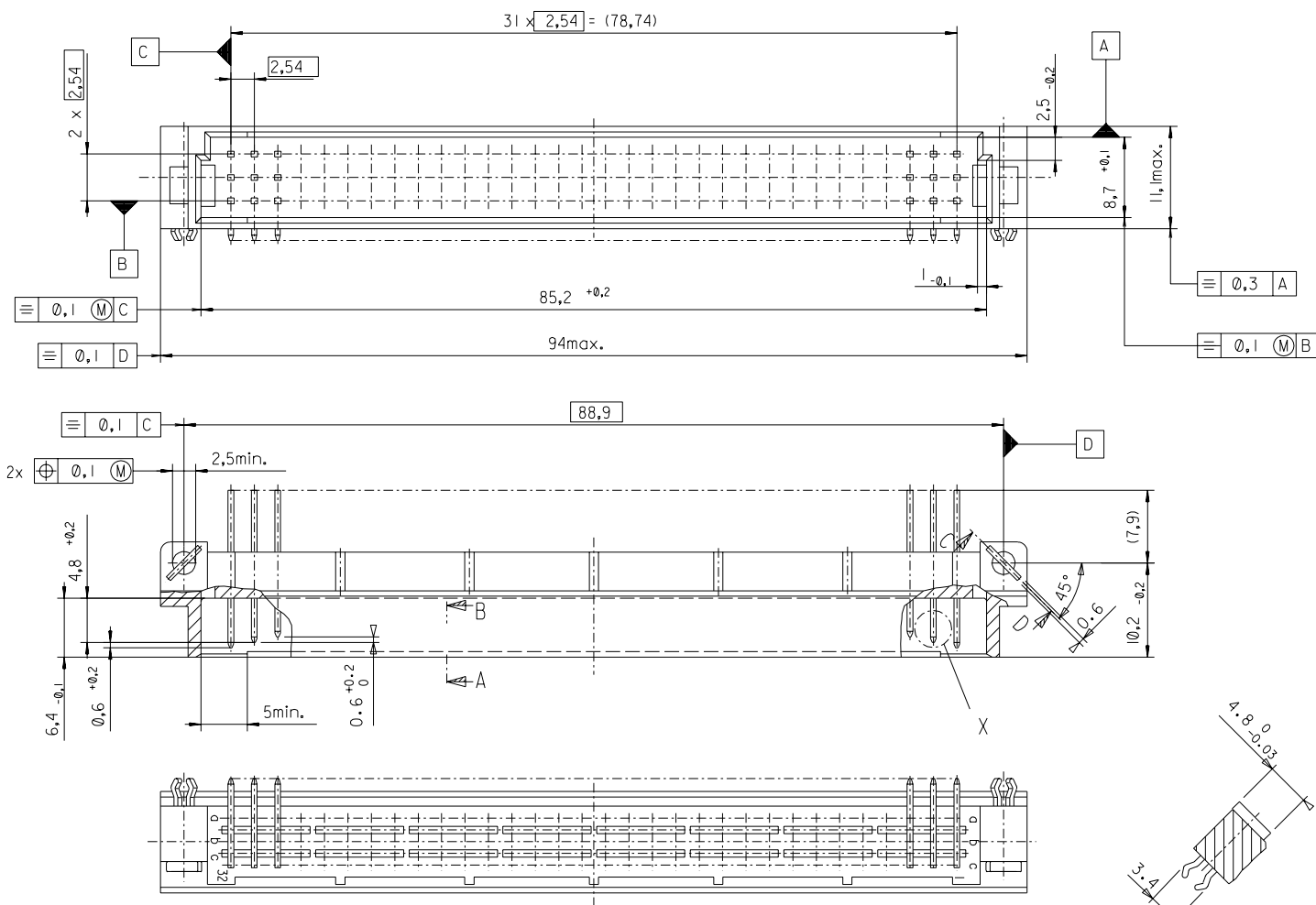
S = 96 total number of contacts

Marking	Standard
Performance level	G2/0 = Contact area level2 / Termination tin
Flux proof	no
Fixing clip	yes
Dimensions	SDA-85003-0001 sht.1
Technical Data	PS-85003-0001

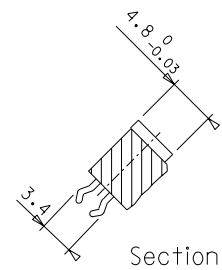
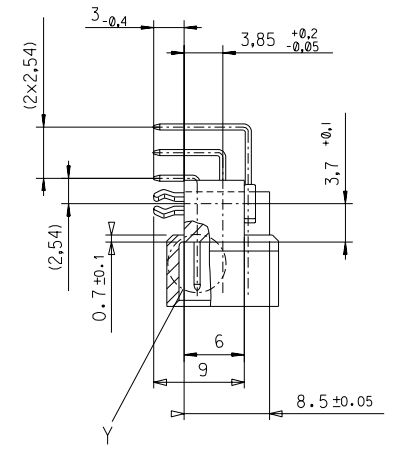
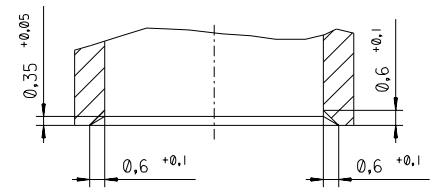
X	G2/0	c1,32
Y	G2/0	b1,32
Z	G2/0	a1,32
C	G2/0	c2-31
B	G2/0	b2-31
A	G2/0	a2-31
Contact symbol	Perform. level	Contact position number

see ECN No. 2161		96/07/04 Co		REVISIONS		FOR PREVIOUS REVISIONS SEE MRI LIST	
<input type="checkbox"/> INCH <input type="checkbox"/> METRIC	UNLESS OTHERWISE SPECIFIED TOLERANCES: ANGULAR ±2°	DRWG BY Co	SIGN	CAD/CAM PROJECT NAME	REVISE ONLY ON CAD SYSTEM	SHEET NO.	SH. REV.
3 PLACE ± °	±	CHK'D BY	SIGN	THIS DRAWING CONTAINS INFORMATION THAT IS PROPRIETARY TO MOLEX INC. & SHOULD NOT BE USED WITHOUT WRITTEN PERMISSION			
2 PLACE ± °	±	APP'D BY	SIGN	TITLE 96 pos. Male connector acc. DIN 41612 style C contacts arrangement			
1 PLACE ± °	±	SCALE	SIGN	SHEET NO. DATE 1 OF 1 95/05/30			
DRAFT WHERE APPLICABLE MUST REMAIN WITHIN DIMENSIONS		DESIGN DIMENSION	<input type="checkbox"/> MM <input type="checkbox"/> IN.	PART NO. DWG NO. SIZE 85003-1483 SDA-85003-1483 A			
EQUIVALENT DIMENSION		<input type="checkbox"/> MM <input type="checkbox"/> IN.	IF TWO DIMENSIONS ARE SHOWN, THE UPPER IS THE DESIGN DIMENSION, LOWER IS SECONDARY				

PART NO.  
DWG. NO.

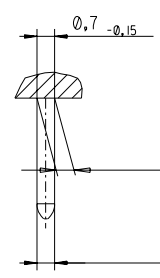


Section A - B  
5:1

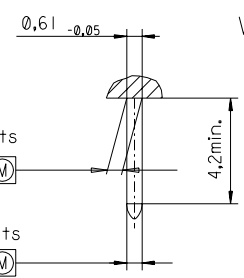


Section C - D

View X  
5:1



View Y  
5:1



FIRST ANGLE PROJECTION REVISE ONLY ON CAD SYSTEM SH. REV.

ECN No. MG 1998-2744 98/03/04 Co	LTR REVISIONS FOR PREVIOUS REVISIONS SEE WRL LIST	UNLESS OTHERWISE SPECIFIED TOLERANCES: ANGULAR ±2'	DRWG BY Ca	SIGN	CAD/CAM PROJECT NAME 85003000 s11	THIS DRAWING CONTAINS INFORMATION THAT IS PROPRIETARY TO MOLEX INC. & SHOULD NOT BE USED WITHOUT WRITTEN PERMISSION
		INCH	CHK'D BY KN	SIGN		
		3 PLACE ± .	METRIC	APP'D BY JB	SIGN	TITLE 96 pos. Male connector acc. DIN 41612 style C Dimensions
		1 PLACE ± .	1 PLACE ± .	SCALE 2:1	SIGN	96 pos. Male connector acc. DIN 41612 style C Dimensions
DRAFT WHERE APPLICABLE MUST REMAIN WITHIN DIMENSIONS		DESIGN DIMENSION <input checked="" type="checkbox"/> MM <input type="checkbox"/> IN.	SCALE	SCALE	SHEET NO. DATE 1 OF 95/06/01	
EQUIVALENT DIMENSION <input type="checkbox"/> MM <input type="checkbox"/> IN.		IF TWO DIMENSIONS ARE SHOWN THE UPPER IS THE DESIGN DIMENSION, LOWER IS SECONDARY		PART NO.	DWG NO. SDA-85003-0001	SIZE B

MOLEX	MOLEX EUROPE	SHEET NO. DATE 1 OF 95/06/01
PART NO.	DWG NO. SDA-85003-0001	SIZE B

View on mating side

o	X	C	C	C	C	C	C	C	C	C	C	C	C	C	C	C	C	C	C	C	C	C	C	X
o	B	B	B	B	B	B	B	B	B	B	B	B	B	B	B	B	B	B	B	B	B	B	B	B
o	Z	A	A	A	A	A	A	A	A	A	A	A	A	A	A	A	A	A	A	A	A	A	Z	

N  
T  
O  
Q  
R  
S  
V  
W  
X  
Y  
Z  
[  
\

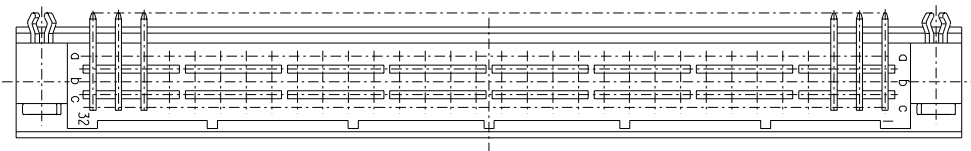
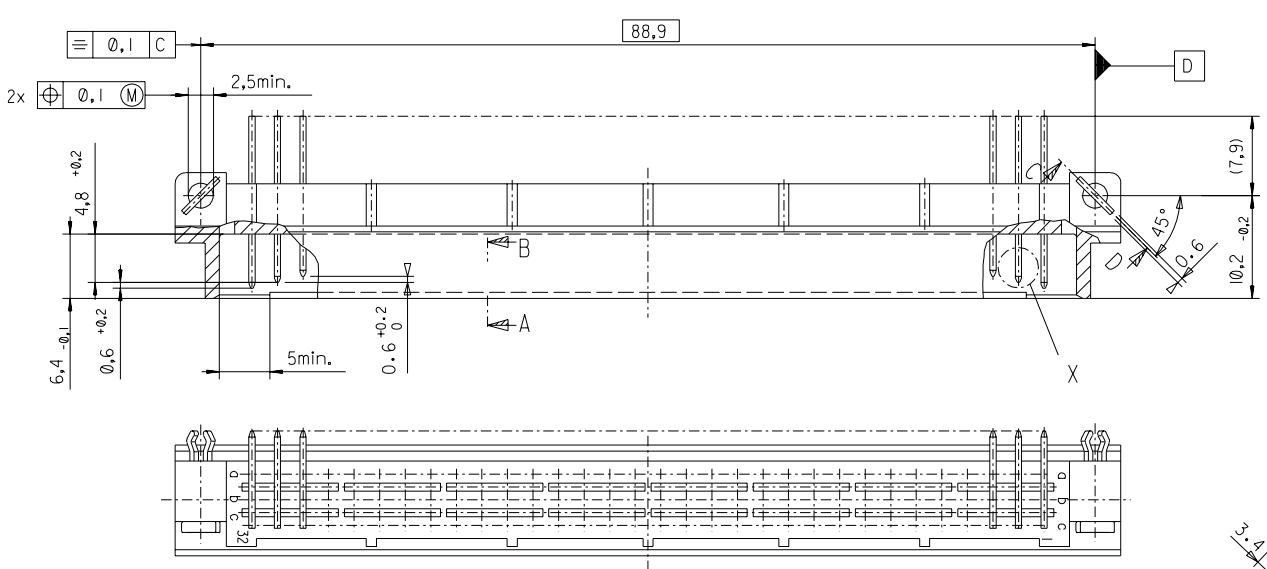
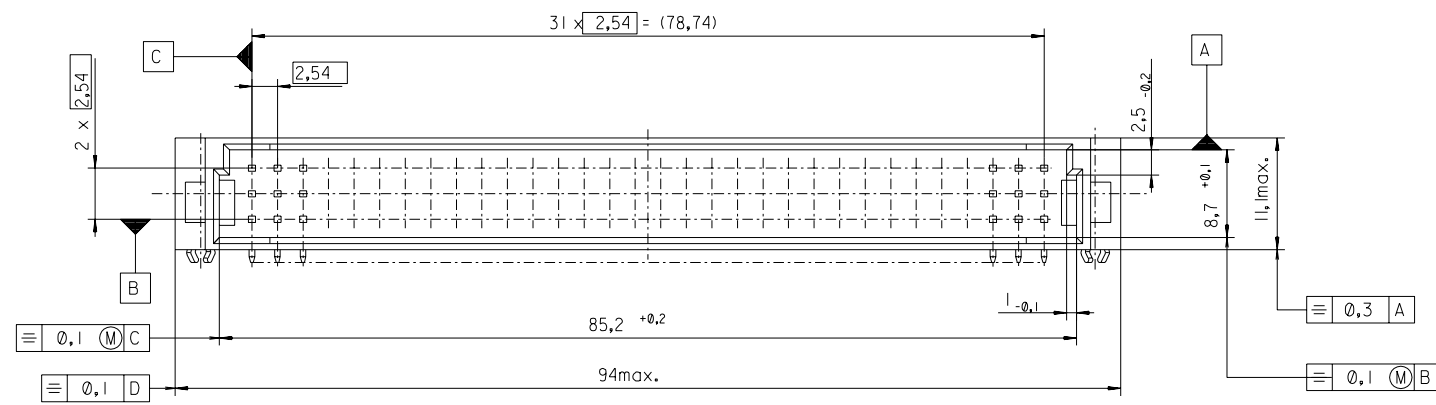
- A = 30 standard contacts L=3
- B = 32 standard contacts L=3
- C = 30 standard contacts L=3
- Z = 2 FMLB contacts +0,6 L=3
- X = 2 FMLB contacts +0,6 L=3
- S = 96 total number of contacts

Marking	Standard
Performance level	G1/0 = Contact area level / Termination tin
Flux proof	no
Fixing clip	no
Dimensions	SDA-85003-0001 sht.1
Technical Data	PS-85003-0001

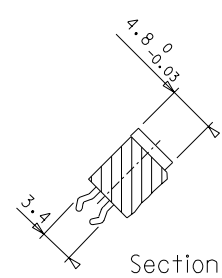
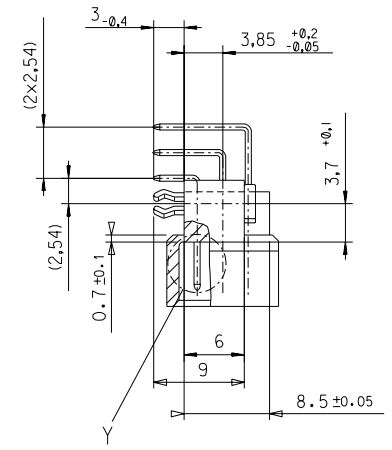
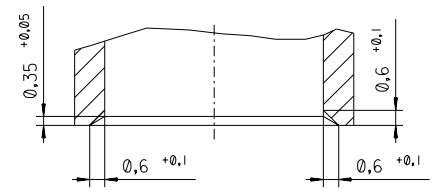
X	G1/0	c1,32
Z	G1/0	a1,32
C	G1/0	c2-31
B	G1/0	b1-32
A	G1/0	a2-31
Contact symbol	Perform. level	Contact position number

see ECN No. 2185 96/07/05 Cd REVISIONS FOR PREVIOUS REVISIONS SEE MRI LIST	LTR 00	CAD/CAM PROJECT NAME THIS DRAWING CONTAINS INFORMATION THAT IS PROPRIETARY TO MOLEX INC. & SHOULD NOT BE USED WITHOUT WRITTEN PERMISSION		SH. REV. SHEET NO. DATE 1 OF 1 95/05/30
	UNLESS OTHERWISE SPECIFIED TOLERANCES: ANGULAR ±2° INCH METRIC 3 PLACE ± • ± 2 PLACE ± • ± 1 PLACE ± • ± DRAFT WHERE APPLICABLE MUST REMAIN WITHIN DIMENSIONS DESIGN DIMENSION <input type="checkbox"/> MM <input type="checkbox"/> IN. EQUIVALENT DIMENSION <input type="checkbox"/> MM <input type="checkbox"/> IN. IF TWO DIMENSIONS ARE SHOWN THE UPPER IS THE DESIGN DIMENSION, LOWER IS SECONDARY	DRWG BY Cd CHK'D BY KN APP'D BY SCALE	SIGN SIGN SIGN	REVISE ONLY ON CAD SYSTEM

PART NO.  
DWG. NO.

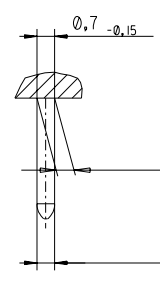


Section A - B  
5:1

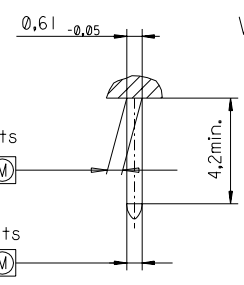


Section C - D

View X  
5:1



View Y  
5:1



FIRST ANGLE PROJECTION REVISE ONLY ON CAD SYSTEM SH. REV.

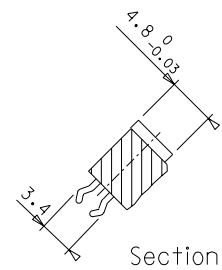
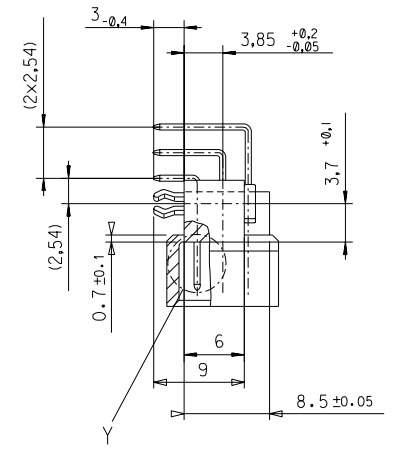
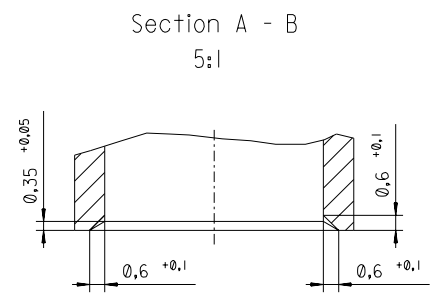
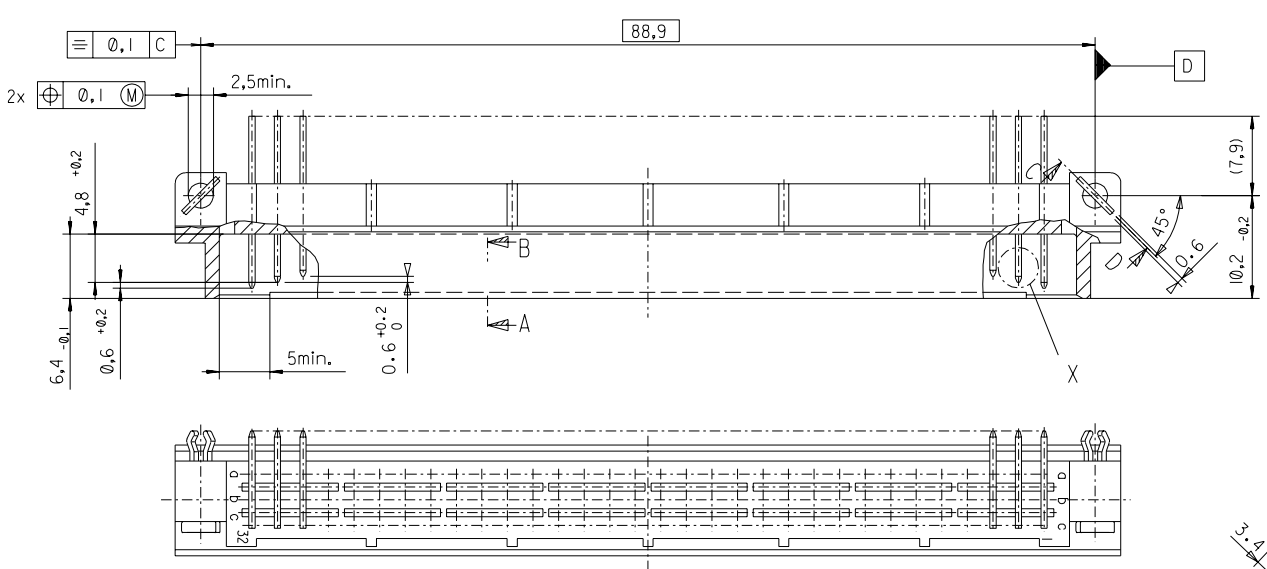
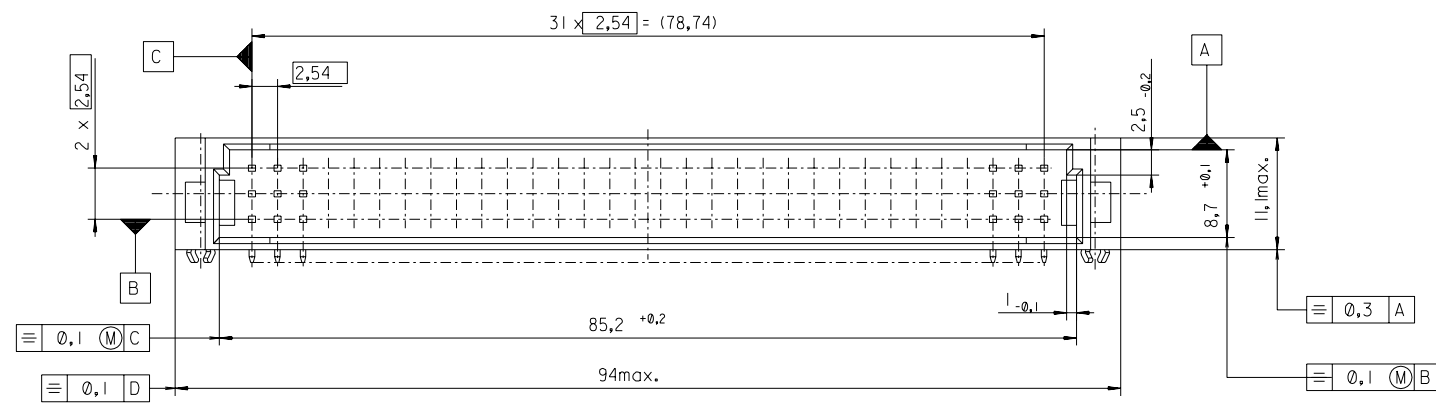
ECN No. MG 1998-2744 98/03/04 Co	LTR REVISIONS FOR PREVIOUS REVISIONS SEE IRL LIST	UNLESS OTHERWISE SPECIFIED TOLERANCES: ANGULAR ±2°	DRWG BY Ca	SIGN	CADCAM PROJECT NAME 85003000 s11	THIS DRAWING CONTAINS INFORMATION THAT IS PROPRIETARY TO MOLEX INC. & SHOULD NOT BE USED WITHOUT WRITTEN PERMISSION	
		INCH	CHK'D BY KN	SIGN	TITLE 96 pos. Male connector acc. DIN 41612 style C Dimensions		
		3 PLACE ± . ±	2 PLACE ± . ±	1 PLACE ± . ±	APP'D BY JB	SIGN	SHEET NO. DATE 1 OF 95/06/01
		DRAFT WHERE APPLICABLE MUST REMAIN WITHIN DIMENSIONS			SCALE 2:1	PART NO.	DWG NO. SDA-85003-0001

DESIGN DIMENSION	<input checked="" type="checkbox"/> MM	<input type="checkbox"/> IN.
EQUIVALENT DIMENSION	<input type="checkbox"/> MM	<input type="checkbox"/> IN.
IF TWO DIMENSIONS ARE SHOWN THE UPPER IS THE DESIGN DIMENSION, LOWER IS SECONDARY		

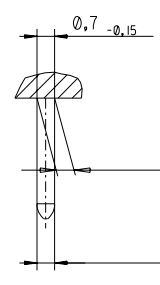




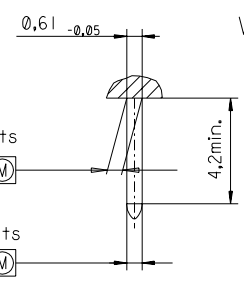
PART NO.  
DWG. NO.



View X  
5:1



View Y  
5:1



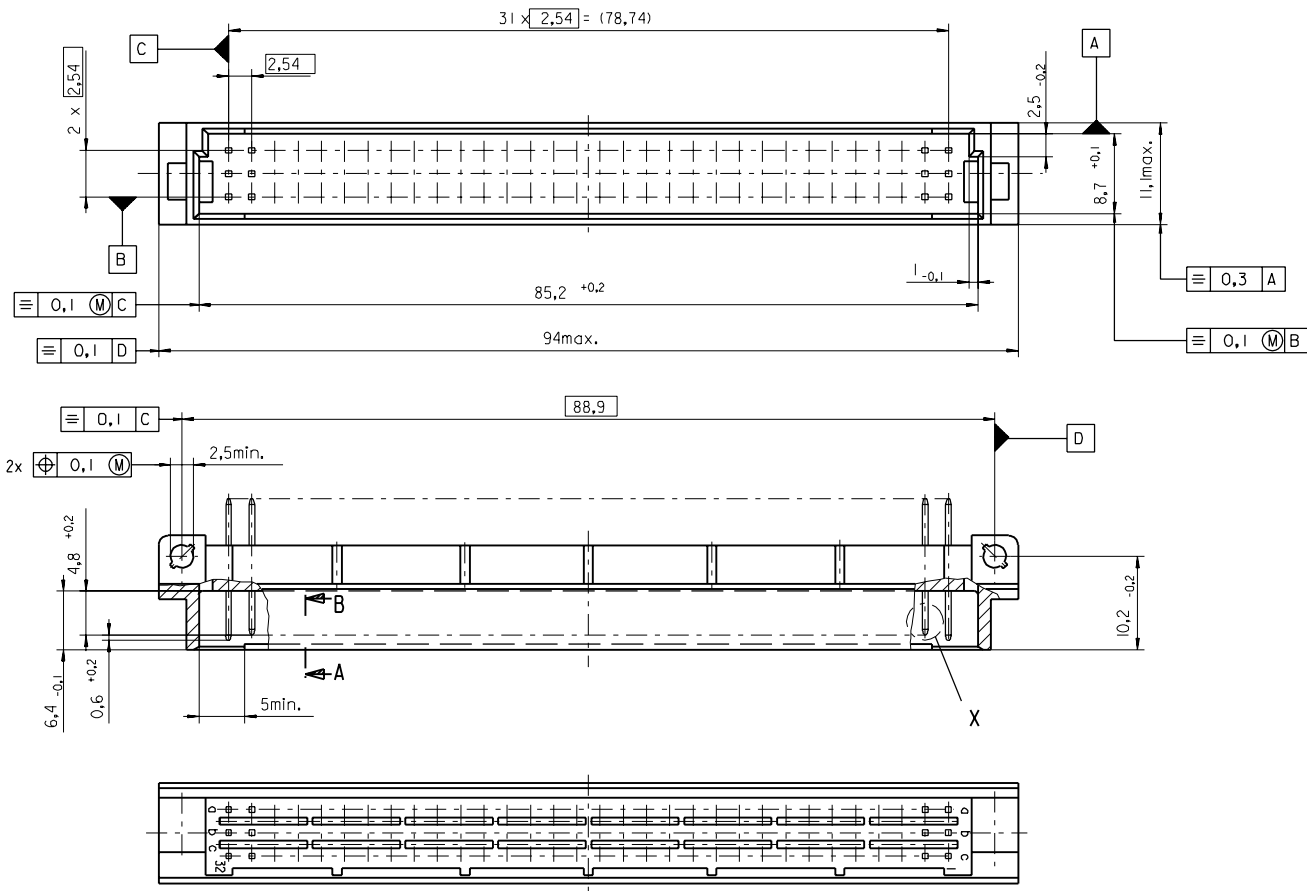
FIRST ANGLE PROJECTION REVISE ONLY ON CAD SYSTEM SH. REV.

ECN No. MG 1998-2744 98/03/04 Co	LTR REVISIONS FOR PREVIOUS REVISIONS SEE IRL LIST	UNLESS OTHERWISE SPECIFIED TOLERANCES: ANGULAR ±2'	DRWG BY Ca	SIGN	CADCAM PROJECT NAME 85003000 s11	THIS DRAWING CONTAINS INFORMATION THAT IS PROPRIETARY TO MOLEX INC. & SHOULD NOT BE USED WITHOUT WRITTEN PERMISSION
		INCH	CHK'D BY KN	SIGN	TITLE 96 pos. Male connector acc. DIN 41612 style C Dimensions	
		3 PLACE ± . ±	METRIC	APP'D BY JB	SIGN	SHEET NO. DATE 1 OF 95/06/01
		2 PLACE ± . ±	DRAFT WHERE APPLICABLE MUST REMAIN WITHIN DIMENSIONS	SCALE 2:1	SCALE	PART NO. SDA-85003-0001
1 PLACE ± . ±	DESIGN DIMENSION <input checked="" type="checkbox"/> MM <input type="checkbox"/> IN.					
	EQUIVALENT DIMENSION <input type="checkbox"/> MM <input type="checkbox"/> IN.					
		IF TWO DIMENSIONS ARE SHOWN THE UPPER IS THE DESIGN DIMENSION, LOWER IS SECONDARY				

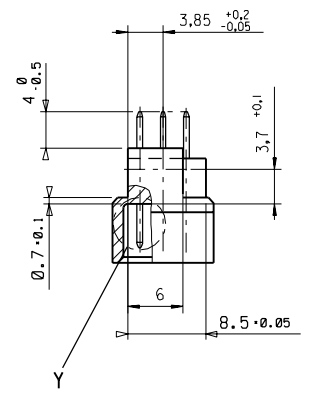
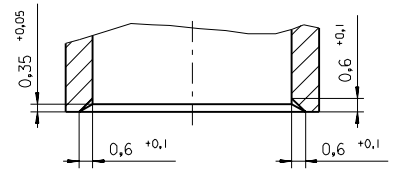
96 contacts		0,06 M
96 contacts		0,2 M



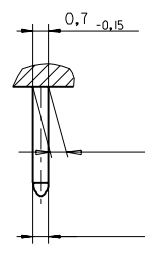
PART NO.  
DWG. NO.



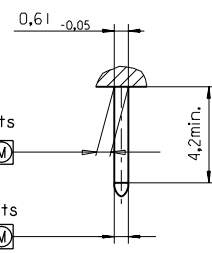
Section A - B  
5:1



View X  
5:1



View Y  
5:1



FIRST ANGLE PROJECTION

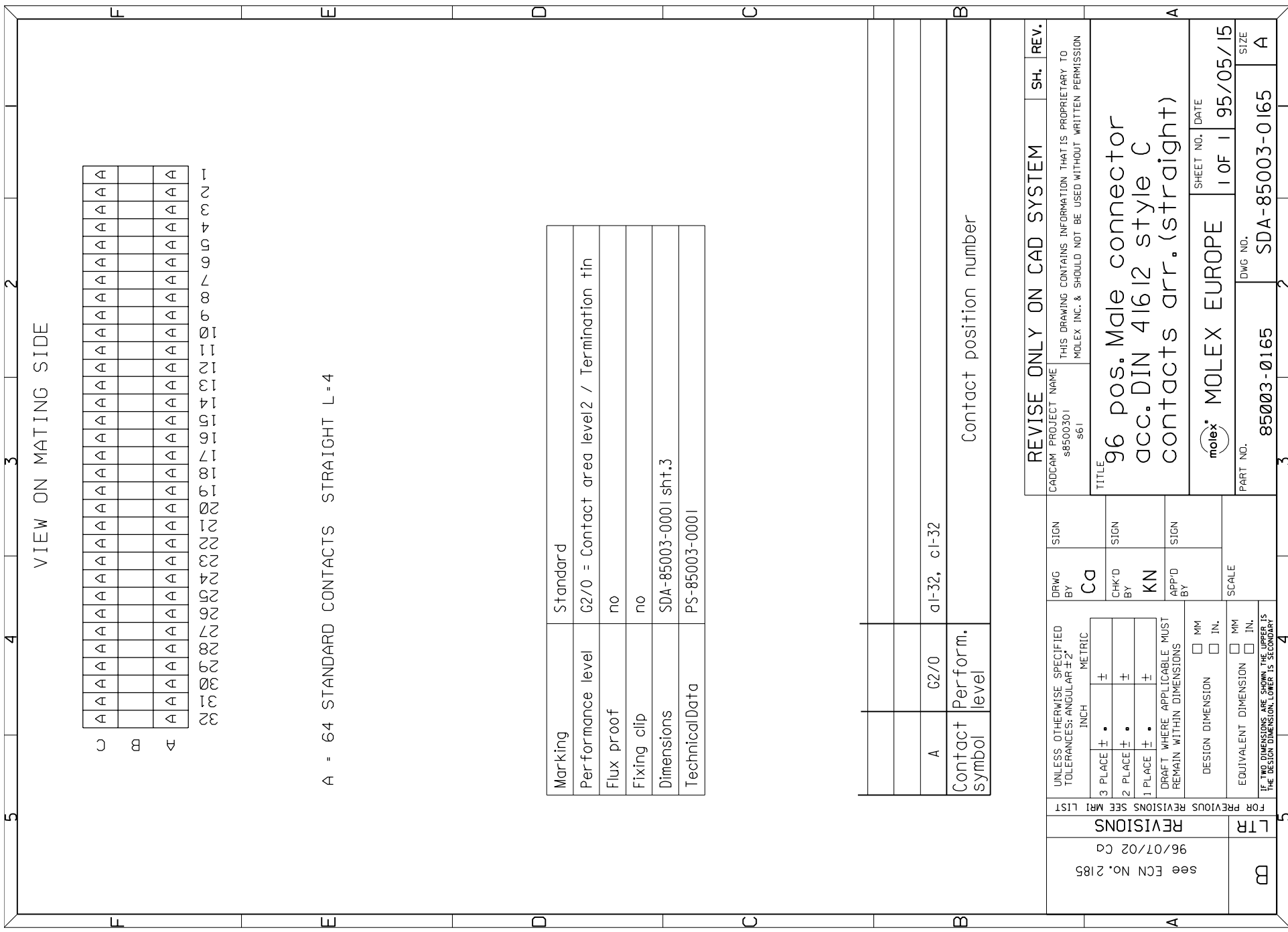
UNLESS OTHERWISE SPECIFIED TOLERANCES: ANGULAR ±2°	INCH		METRIC	
	3 PLACE	±	±	±
	2 PLACE	±	±	±
1 PLACE	±	±	±	±
DRAFT WHERE APPLICABLE MUST REMAIN WITHIN DIMENSIONS				
DESIGN DIMENSION	<input checked="" type="checkbox"/>	MM	<input type="checkbox"/>	IN.
EQUIVALENT DIMENSION	<input type="checkbox"/>	MM	<input type="checkbox"/>	IN.
IF TWO DIMENSIONS ARE SHOWN THE UPPER IS THE DESIGN DIMENSION, LOWER IS SECONDARY				

DRWG BY	SIGN	Ca
CHK'D BY	SIGN	
APP'D BY	SIGN	
SCALE	2:1	

REVISE ONLY ON CAD SYSTEM

SH.	REV.
85003000	613
THIS DRAWING CONTAINS INFORMATION THAT IS PROPRIETARY TO MOLEX INC. & SHOULD NOT BE USED WITHOUT WRITTEN PERMISSION	
TITLE	
96 pos. Male connector acc. DIN 41612 style C straight / Dimensions	
MOLEX MOLEX EUROPE	
SHEET NO.	DATE
3 OF	95/06/02
PART NO.	DWG NO.
SDA-85003-0001	B

first release see ECN No. 1887
LTR
REVISIONS
FOR PREVIOUS REVISIONS SEE MRI LIST



VIEW ON MATING SIDE

U	A	A	A	A	A	A	A	A	A	A	A	A	A	A	A	A	A	A	A	A	A	A	A	A	A	A	A	A	A	A	A	A	A	A	A	A	A	A	A	A	A	A	A	A	A	A	A	A	A	A	A	A			
W																																																							
X	A	A	A	A	A	A	A	A	A	A	A	A	A	A	A	A	A	A	A	A	A	A	A	A	A	A	A	A	A	A	A	A	A	A	A	A	A	A	A	A	A	A	A	A	A	A	A	A	A	A	A	A	A	A	A
Y	0	1	2	3	4	5	6	7	8	9	A	B	C	D	E	F	G	H	I	J	K	L	M	N	O	P	Q	R	S	T	U	V	W	X	Y	Z																			

A = 64 STANDARD CONTACTS STRAIGHT L=4

Marking	Standard
Performance level	G2/0 = Contact area level2 / Termination tin
Flux proof	no
Fixing clip	no
Dimensions	SDA-85003-0001 sht.3
TechnicalData	PS-85003-0001

A	G2/0	ci-32, ci-32
Contact symbol	Perform. level	Contact position number

REVISIONS see ECN No. 2185 96/07/02 Cg LTR		FOR PREVIOUS REVISIONS SEE MRI LIST		UNLESS OTHERWISE SPECIFIED TOLERANCES: ANGULAR ±2° INCH METRIC <table border="1"> <tr><td>3 PLACE</td><td>±</td><td>±</td></tr> <tr><td>2 PLACE</td><td>±</td><td>±</td></tr> <tr><td>1 PLACE</td><td>±</td><td>±</td></tr> </table>		3 PLACE	±	±	2 PLACE	±	±	1 PLACE	±	±	DRWNG BY SIGN Cg CHK'D BY SIGN KN APP'D BY SIGN		CAD/CAM PROJECT NAME S8500301 S61	THIS DRAWING CONTAINS INFORMATION THAT IS PROPRIETARY TO MOLEX INC. & SHOULD NOT BE USED WITHOUT WRITTEN PERMISSION	REVISE ONLY ON CAD SYSTEM SH. REV.
3 PLACE	±	±																	
2 PLACE	±	±																	
1 PLACE	±	±																	
TITLE 96 pos. Male connector acc. DIN 41612 style C contacts arr. (straight)		SDA-85003-0001 MOLEX EUROPE 85003-0165		SDA-85003-0165		DWG NO. SDA-85003-0165	SHEET NO. 1 OF 1	DATE 95/05/15	SIZE A										
LTR		FOR PREVIOUS REVISIONS SEE MRI LIST		UNLESS OTHERWISE SPECIFIED TOLERANCES: ANGULAR ±2° INCH METRIC		DRWNG BY SIGN CHK'D BY SIGN APP'D BY SIGN		CAD/CAM PROJECT NAME S8500301 S61 THIS DRAWING CONTAINS INFORMATION THAT IS PROPRIETARY TO MOLEX INC. & SHOULD NOT BE USED WITHOUT WRITTEN PERMISSION	REVISE ONLY ON CAD SYSTEM SH. REV.										
<table border="1"> <tr><td>DESIGN DIMENSION</td><td><input type="checkbox"/> MM</td><td><input type="checkbox"/> IN.</td></tr> <tr><td>EQUIVALENT DIMENSION</td><td><input type="checkbox"/> MM</td><td><input type="checkbox"/> IN.</td></tr> </table>		DESIGN DIMENSION	<input type="checkbox"/> MM	<input type="checkbox"/> IN.	EQUIVALENT DIMENSION	<input type="checkbox"/> MM	<input type="checkbox"/> IN.	DRAFT WHERE APPLICABLE MUST REMAIN WITHIN DIMENSIONS		SCALE		PART NO.		DWG NO.					
DESIGN DIMENSION	<input type="checkbox"/> MM	<input type="checkbox"/> IN.																	
EQUIVALENT DIMENSION	<input type="checkbox"/> MM	<input type="checkbox"/> IN.																	
IF TWO DIMENSIONS ARE SHOWN, THE UPPER IS THE DESIGN DIMENSION, LOWER IS SECONDARY				PART NO.		DWG NO.		SIZE											