

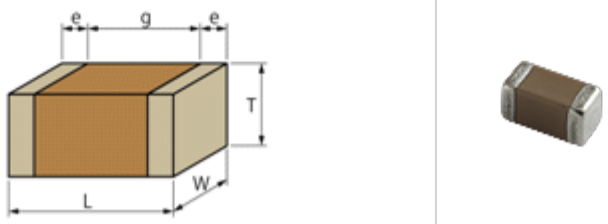
GCM188R91E104KA37#

" # " indicates a package specification code.

Available   

< List of part numbers with package codes >
GCM188R91E104KA37D , GCM188R91E104KA37J

Shape

	
L size	1.6 ± 0.1mm
W size	0.8 ± 0.1mm
T size	0.8 ± 0.1mm
External terminal width e	0.2 to 0.5mm
Distance between external terminals g	0.5mm min.
Size code in inch(mm)	0603 (1608)

References

Packaging	Specifications	Minimum quantity
D	180mm Paper taping	4000
J	330mm Paper taping	10000

Mass (typ.)	
1 piece	6.3mg
180mm Reel	144g

Specifications

Capacitance	0.10μF ± 10%
Rated voltage	25Vdc
Temperature characteristics (complied standard)	X8R(EIA)
Capacitance change rate	± 15.0%
Temperature range of temperature characteristics	-55 to 150
Operating temperature range	-55 to 150

Attention

- 1.This datasheet is downloaded from the website of Murata Manufacturing Co., Ltd. Therefore, it ' s specifications are subject to change or our products in it may be discontinued without advance notice. Please check with our sales representatives or product engineers before ordering.
- 2.This datasheet has only typical specifications because there is no space for detailed specifications. Therefore, please review our product specifications or consult the approval sheet for product specifications before ordering.