

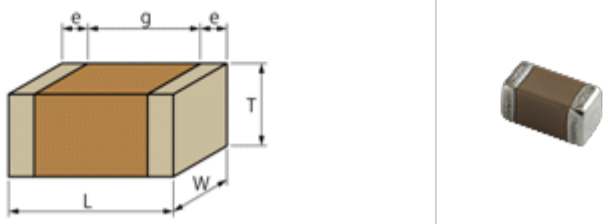
GRM188F51A475ZE20#

"#" indicates a package specification code.

Available   Complies with RoHS

< List of part numbers with package codes >
GRM188F51A475ZE20D , GRM188F51A475ZE20J

Shape

	
L size	1.6 ± 0.1mm
W size	0.8 ± 0.1mm
T size	0.8 ± 0.1mm
External terminal width e	0.2 to 0.5mm
Distance between external terminals g	0.5mm min.
Size code in inch(mm)	0603 (1608)

References

Packaging	Specifications	Minimum quantity
D	180mm Paper taping	4000
J	330mm Paper taping	10000

Mass (typ.)	
1 piece	6.3mg
180mm Reel	144g

Specifications

Capacitance	4.7μF +80/-20%
Rated voltage	10Vdc
Temperature characteristics (complied standard)	Y5V(EIA)
Capacitance change rate	+22.0/-82.0%
Temperature range of temperature characteristics	-30 to 85
Operating temperature range	-30 to 85

Attention

- 1.This datasheet is downloaded from the website of Murata Manufacturing Co., Ltd. Therefore, it ' s specifications are subject to change or our products in it may be discontinued without advance notice. Please check with our sales representatives or product engineers before ordering.
- 2.This datasheet has only typical specifications because there is no space for detailed specifications. Therefore, please review our product specifications or consult the approval sheet for product specifications before ordering.