

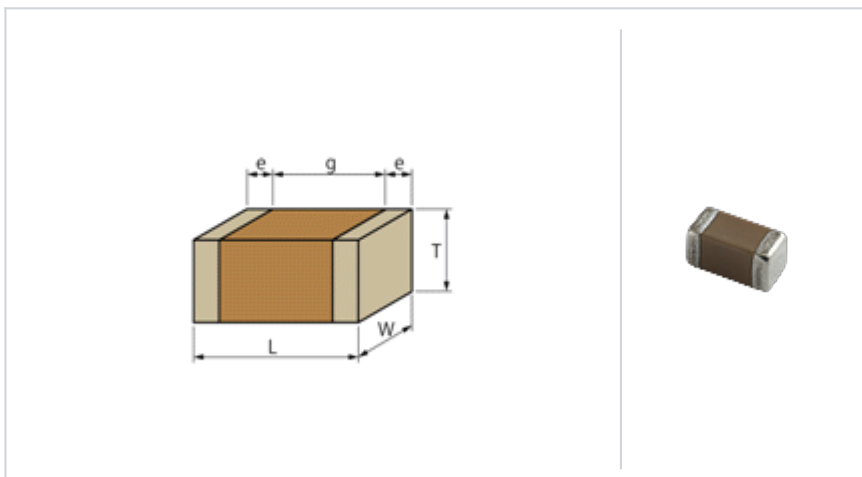
GRM31BR72J472KW01#

" # " indicates a package specification code.



< List of part numbers with package codes >
GRM31BR72J472KW01L

Shape



References

| Packaging | Specifications | Minimum quantity |
|-----------|-----------------------|------------------|
| L | 180mm Embossed taping | 3000 |

| | |
|---------------------------------------|----------------|
| L size | 3.2 ± 0.2mm |
| W size | 1.6 ± 0.2mm |
| T size | 1.25 +0/-0.3mm |
| External terminal width e | 0.3mm min. |
| Distance between external terminals g | 1.2mm |
| Size code in inch(mm) | 1206 (3216) |

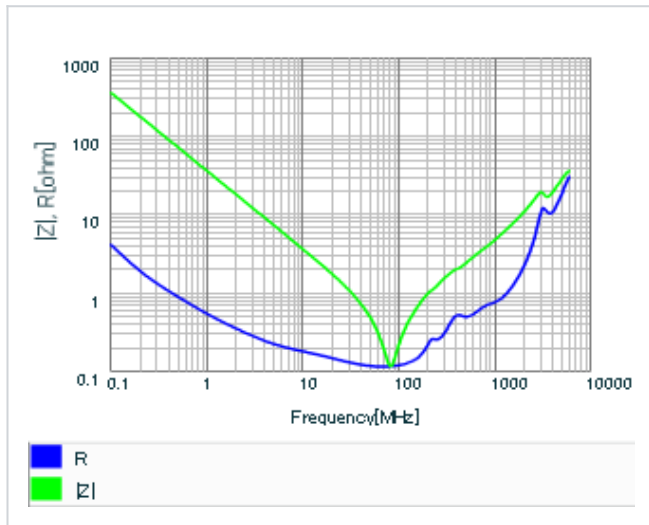
Specifications

| | |
|--|--------------|
| Capacitance | 4700pF ± 10% |
| Rated voltage | 630Vdc |
| Temperature characteristics (complied standard) | X7R(EIA) |
| Capacitance change rate | ± 15% |
| Temperature range of temperature characteristics | -55 to 125 |
| Operating temperature range | -55 to 125 |

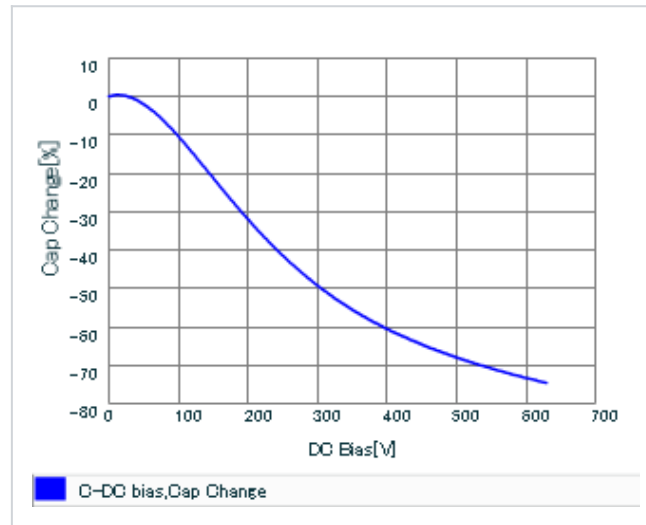
⚠ Attention

- 1.This datasheet is downloaded from the website of Murata Manufacturing Co., Ltd. Therefore, it ' s specifications are subject to change or our products in it may be discontinued without advance notice. Please check with our sales representatives or product engineers before ordering.
- 2.This datasheet has only typical specifications because there is no space for detailed specifications. Therefore, please review our product specifications or consult the approval sheet for product specifications before ordering.

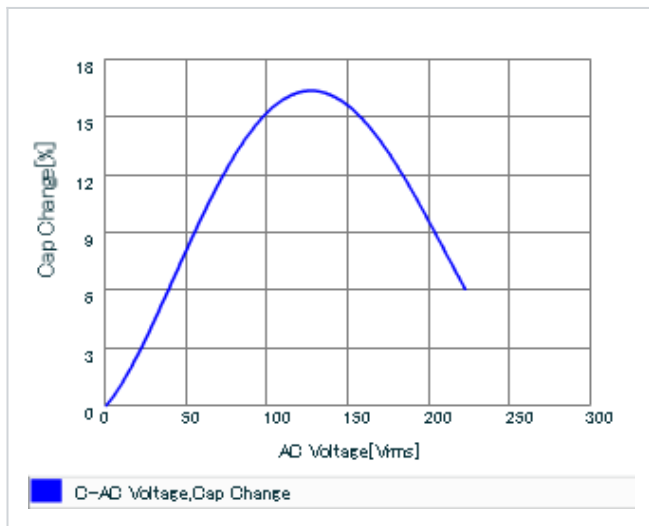
▪ Frequency characteristics (ESR, Impedance)



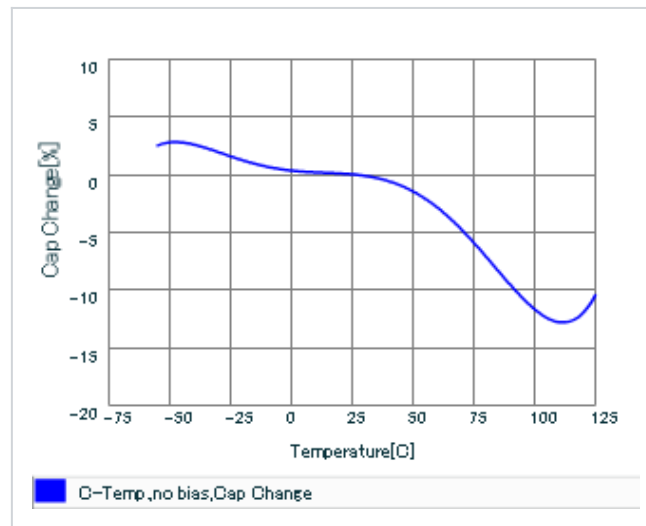
▪ DC bias characteristics



▪ AC voltage characteristics



▪ Capacitance - temperature characteristics



▪ Calorific property by ripple current

