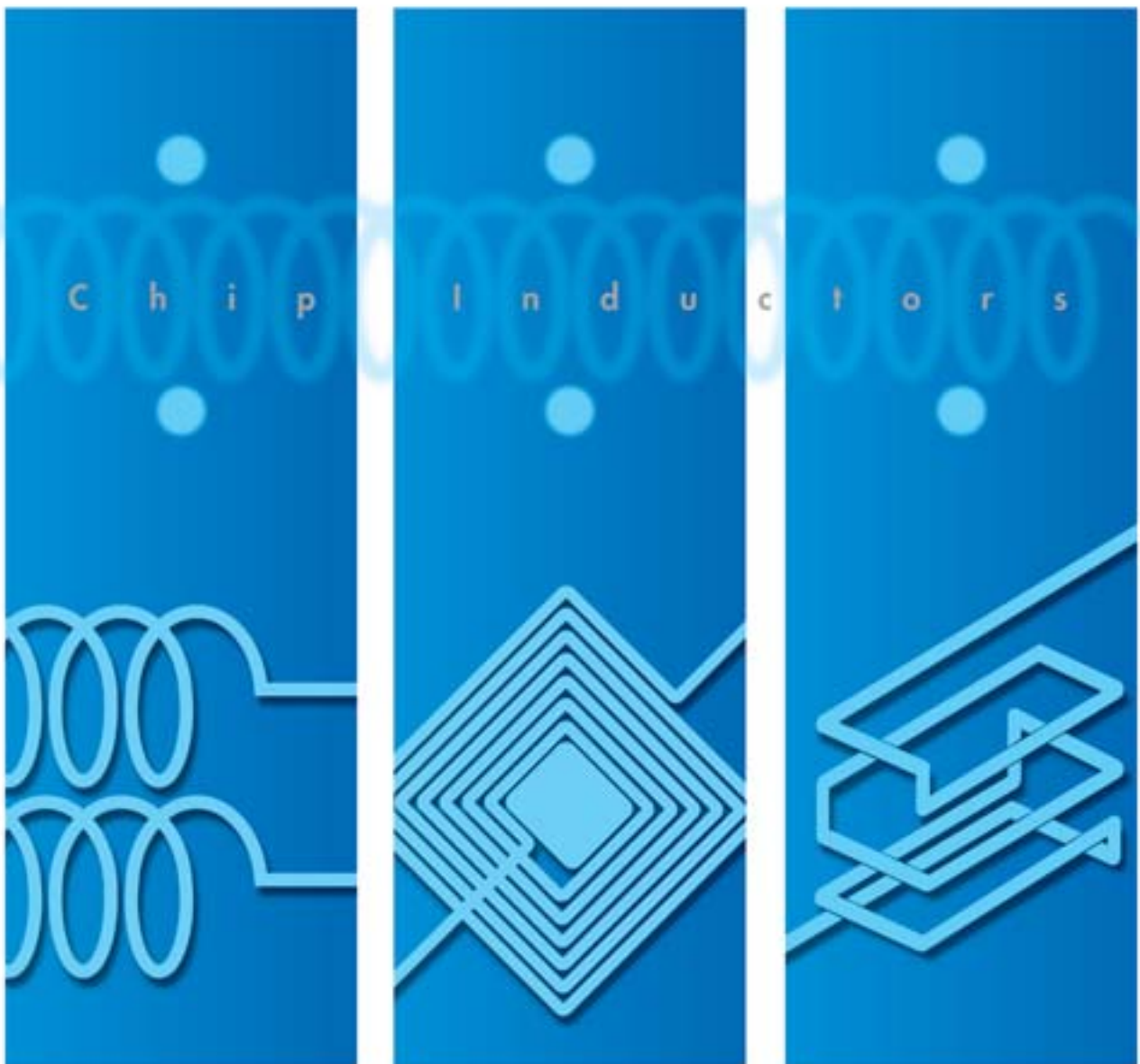


Chip Inductors

(Chip Coils)



muRata

*Innovator
in Electronics*

**Murata
Manufacturing Co., Ltd.**

⚠Note • Please read rating and ⚠CAUTION (for storage, operating, rating, soldering, mounting and handling) in this catalog to prevent smoking and/or burning, etc.
• This catalog has only typical specifications. Therefore, please approve our product specifications or transact the approval sheet for product specifications before ordering.

O05E.pdf
Oct.1,2012

Introduction















Murata has various chip inductors for every applications such as power circuits and high frequency circuits.

There are 3 types of structure: wirewound, multilayer, film.

These variation enables best selection for every user needs.

We will support customers using material technologies and highly developed design technologies.

Explanation of symbols in this catalog

	Features of each series	Features of each item
All Products	 New product	 New product
	 Reflow soldering applicable	 Design kit available
	 Flow soldering applicable	
Inductor for Power Lines (Power Inductor)	Inductor for Low Frequency Circuits	RF Inductor
 Max height xxmm	 Shielded with ferrite core	 E12 step inductance variation
 Shielded with ferrite core	 E12 step inductance variation	 E24 step inductance variation
 Shielded with magnetic resin		 Hi Q type
		 Tight inductance tolerance available

EU RoHS Compliant

- All the products in this catalog comply with EU RoHS.
- EU RoHS is "the European Directive 2011/65/EU on the Restriction of the Use of Certain Hazardous Substances in Electrical and Electronic Equipment."
- For more details, please refer to our website 'Murata's Approach for EU RoHS' (<http://www.murata.com/info/rohs.html>).

CONTENTS

Classification and Structure of Chip Inductors	2
Product Guide	4
Selection Guide	6
Product Guide by Thickness	7

• Inductor for Power Lines (Power Inductor)

Introduction	10
Product Guide	11
Part Numbering	12
Product Detail	14
⚠Caution/Notice	85
Soldering and Mounting	87
Packaging	91
Design Kits	95

• Inductor for Low Frequency Circuits

Part Numbering	102
Product Detail	103
⚠Caution/Notice	114
Soldering and Mounting	115
Packaging	119
Design Kits	120

• RF Inductor







Introduction	124
Part Numbering	125
Product Detail	126
⚠Caution/Notice	184
Soldering and Mounting	186
Packaging	190
Design Kits	191

Part Number Quick Reference	201
Introduction of SimSurfing	202
Introduction of EMI/MLCC/Inductor special web site "EMICON-FUN!"	203

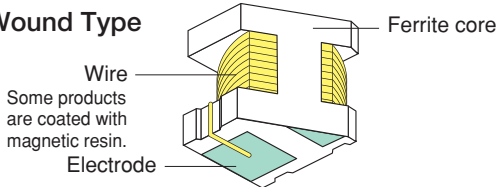
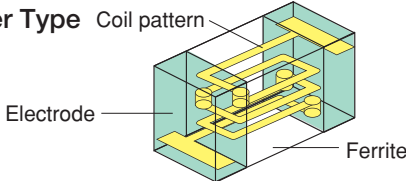


Classification and Structure of Chip Inductors

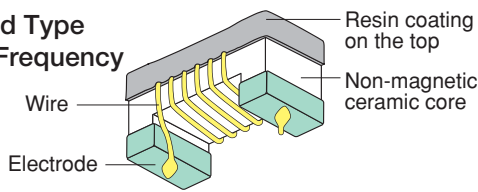
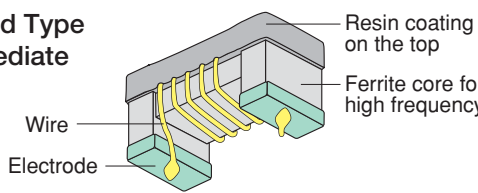
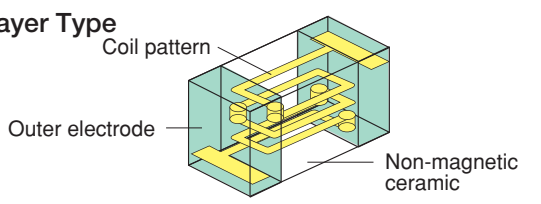
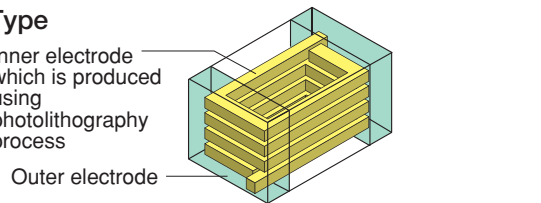
Line Up and Application of Chip Inductors

	Line Up	Application
For Power Lines / For Low Frequency Circuits (Under 100MHz)	Wire Wound Type Ferrite Core  LQH Series (There are some exception.)	For Voltage Conversion For Choke For Resonance Circuits For Low Frequency Filter Circuits
	Multilayer Type Ferrite Core  LQM Series	
RF Inductor (Over Several 10MHz)	Wire Wound Type Ferrite Core for High Frequency  LQW_H Series LQH_H Series	For Impedance Matching For High Frequency Filter Circuits For RF Choke
	Wire Wound Type Non-magnetic Core  LQW_A Series	
	Multilayer Type Non-magnetic Material  LQG Series	
	Film Type Non-magnetic Material  LQP Series	

Construction and Feature of Chip Inductors

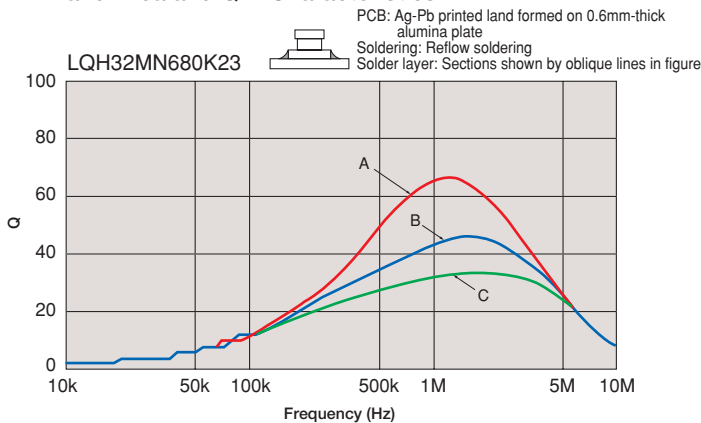
	Construction	Features
For Power Lines / For General Circuits	Wire Wound Type  Ferrite core Wire Some products are coated with magnetic resin. Electrode	Wide inductance range Good DC bias current characteristics
	Multilayer Type  Coil pattern Electrode Ferrite	Small and light weight Low DC resistance

[△]Note • Please read rating and [△]CAUTION (for storage, operating, rating, soldering, mounting and handling) in this catalog to prevent smoking and/or burning, etc.
 • This catalog has only typical specifications. Therefore, please approve our product specifications or transact the approval sheet for product specifications before ordering.

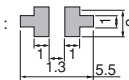
		Construction	Features
RF Inductor	Wire Wound Type For Radio Frequency 	Resin coating on the top Non-magnetic ceramic core Wire Electrode	High Q Large inductance
	Wire Wound Type For Intermediate Frequency 	Resin coating on the top Ferrite core for high frequency Wire Electrode	High Q at intermediate frequency
	Multilayer Type 	Coil pattern Outer electrode Non-magnetic ceramic	Industrial standard design
	Film Type 	Inner electrode which is produced using photolithography process Outer electrode	Small size, but high Q

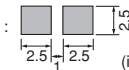
● Technical Data

1. Land Area and Q-F Characteristics

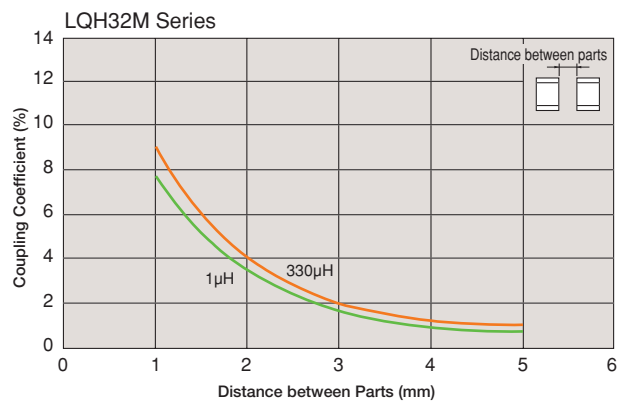


A : Net characteristics without land pattern

B :  Characteristic of chip mounted on land

C :  Characteristic of chip mounted on land
 (in mm)

2. Coupling Coefficient Versus Distance between Parts



⚠Note • Please read rating and ⚠CAUTION (for storage, operating, rating, soldering, mounting and handling) in this catalog to prevent smoking and/or burning, etc.
 • This catalog has only typical specifications. Therefore, please approve our product specifications or transact the approval sheet for product specifications before ordering.

Murata's LQ□ series of chip inductors (chip coils) consists of compact, high-performance inductors. Their innovative coil and case structures mean low DC resistance and outstanding high-frequency characteristics. The series is designed for a variety of applications, facilitating component selection for individual circuit requirements.

	Part Number	Structure	Size Code Inch (mm)	Inductance Range										
				1n	10n	100n	1μ	10μ	100μ	1m	10m			
Inductor for Power Lines (Power Inductor)	LQW15C_00 <small>p72</small>	Wire Wound	0402 (1005)		18nH		200nH							
	LQW15C_10 <small>p73</small>		0402 (1005)			390nH		560nH						
	LQW18C <small>p74</small>		0603 (1608)		4.9nH			650nH						
	LQH2MC_02 <small>p36</small>		0806 (2016)					1.0μH		82μH				
	LQH2MC_52 <small>p38</small>		0806 (2016)					1.0μH		22μH				
	LQH2HP_G0 <small>p40</small>		1008 (2520)						2.2μH		100μH			
	LQH2HP_J0 <small>p42</small>		1008 (2520)						1.5μH		10μH			
	LQH2HP_M0 <small>p44</small>		1008 (2520)						2.2μH		4.7μH			
	LQH3NP_M0 <small>p45</small>		1212 (3030)						1.0μH		100μH			
	LQH3NP_MR <small>p47</small>		1212 (3030)						1.0μH		47μH			
	LQH3NP_J0 <small>p49</small>		1212 (3030)						1.0μH		47μH			
	LQH3NP_G0 <small>p51</small>		1212 (3030)						1.0μH		250μH			
	LQH32P_N0 <small>p53</small>		1210 (3225)						470nH		120μH			
	LQH32P_NC <small>p55</small>		1210 (3225)						470nH		22μH			
	LQH43P_26 <small>p57</small>		1812 (4532)						1.0μH		220μH			
	LQH44P_P0 <small>p59</small>		1515 (4040)						1.0μH		22μH			
	LQH44P_J0 <small>p61</small>		1515 (4040)						1.0μH		47μH			
	LQH5BP_T0 <small>p63</small>		2020 (5050)						470nH		22μH			
	LQH55P_R0 <small>p65</small>		2220 (5852)							1.2μH	22μH			
	LQH31C <small>p75</small>		1206 (3216)						120nH		100μH			
	LQH32C_23/33 <small>p76</small>		1210 (3225)						150nH		560μH			
	LQH32C_53 <small>p78</small>		1210 (3225)							1.0μH	100μH			
	LQH43C_03 <small>p79</small>		1812 (4532)							1.0μH	470μH			
	LQH43C_33 <small>p80</small>		1812 (4532)							560nH	3.9μH			
	LQH55D <small>p81</small>		2220 (5750)							120nH			10mH	
	LQH66S <small>p83</small>		2525 (6363)	Magnetically Shielded						270nH			10mH	
	LQM18P_B0 <small>p14</small>		0603 (1608)	Magnetically Shielded Multilayer							1.5μH			
	LQM18P_C0 <small>p15</small>		0603 (1608)									1.8μH		
	LQM18P_D0 <small>p16</small>		0603 (1608)									2.5μH		
	LQM18P_F0 <small>p17</small>		0603 (1608)									1.0μH		
	LQM18P_FR <small>p18</small>		0603 (1608)								220nH		4.7μH	
	LQM21P_C0 <small>p20</small>		0805 (2012)								470nH		2.2μH	
	LQM21P_G0 <small>p21</small>		0805 (2012)								470nH		3.3μH	
	LQM21P_GS <small>p22</small>		0805 (2012)									2.2μH	4.7μH	
LQM21P_GC <small>p23</small>	0805 (2012)									1.0μH	2.2μH			
LQM21P_GR <small>p24</small>	0805 (2012)									1.0μH	4.7μH			
LQM2MP_G0 <small>p25</small>	0806 (2016)								470nH		4.7μH			
LQM2HP_J0 <small>p27</small>	1008 (2520)									1.0μH	3.3μH			
LQM2HP_JC <small>p28</small>	1008 (2520)									1.0μH	2.2μH			
LQM2HP_G0 <small>p29</small>	1008 (2520)								470nH		4.7μH			
LQM2HP_GS <small>p30</small>	1008 (2520)									2.2μH	4.7μH			
LQM2HP_GC <small>p31</small>	1008 (2520)									1.0μH	4.7μH			
LQM2HP_E0 <small>p32</small>	1008 (2520)									560nH				
LQM31P_00 <small>p33</small>	1206 (3216)								470nH		4.7μH			
LQM31P_C0 <small>p34</small>	1206 (3216)								470nH		2.2μH			
LQM32P_G0 <small>p35</small>	1210 (3225)									1.0μH				
LQM18F <small>p67</small>	0603 (1608)									1.0μH	10μH			
LQM21D <small>p68</small>	0805 (2012)									1.0μH	47μH			
LQM21F <small>p69</small>	0805 (2012)									1.0μH	47μH			
General Purpose Inductor	LQM18N <small>p103</small>	Magnetically Shielded Multilayer	0603 (1608)				47nH			2.2μH				
	LQM21N <small>p105</small>		0805 (2012)				100nH			4.7μH				
	LQH31M <small>p107</small>	Wire Wound (ferrite core)	1206 (3216)						150nH		100μH			
	LQH32M <small>p109</small>		1210 (3225)							1.0μH	560μH			
	LQH43M(N) <small>p111</small>		1812 (4532)								1.0μH	2.2mH		
RF Inductor	LQG15H <small>p126</small>	Multilayer	0402 (1005)			1.0nH				270nH				
	LQG18H <small>p131</small>		0603 (1608)			1.2nH				100nH				
	LQP02T <small>p133</small>	Film	01005 (0402)		0.2nH			20nH						
	LQP03TG_02 <small>p138</small>		0201 (0603)		0.6nH			22nH						
	LQP03TN_02 <small>p142</small>		0201 (0603)		0.6nH					270nH				
	LQP15M <small>p147</small>		0402 (1005)		1.0nH			33nH						
	LQP18M <small>p150</small>		0603 (1608)	1.3nH					100nH					
	LQW04A <small>p152</small>		03015 (0804)	1.1nH			33nH							
	LQW15A <small>p155</small>	Wire Wound (air core)	0402 (1005)	1.3nH			120nH							
	LQW18A <small>p162</small>		0603 (1608)	2.2nH			470nH							
	LQW2BH <small>p168</small>		0805 (2015)	2.7nH			470nH							
	LQW2BA <small>p172</small>		0805 (2015)	2.8nH			820nH							
	LQW2UA <small>p175</small>		1008 (2520)			12nH				4.7μH				
	LQW31H <small>p178</small>		1206 (3216)			8.8nH				100nH				
	LQW21H <small>p180</small>	Wire Wound (ferrite core)	0805 (2012)					470nH		2.2μH				
	LQH31H <small>p182</small>		1206 (3216)					54nH		880nH				

Inductance Lineup

E-24 or Higher

E-12

Other

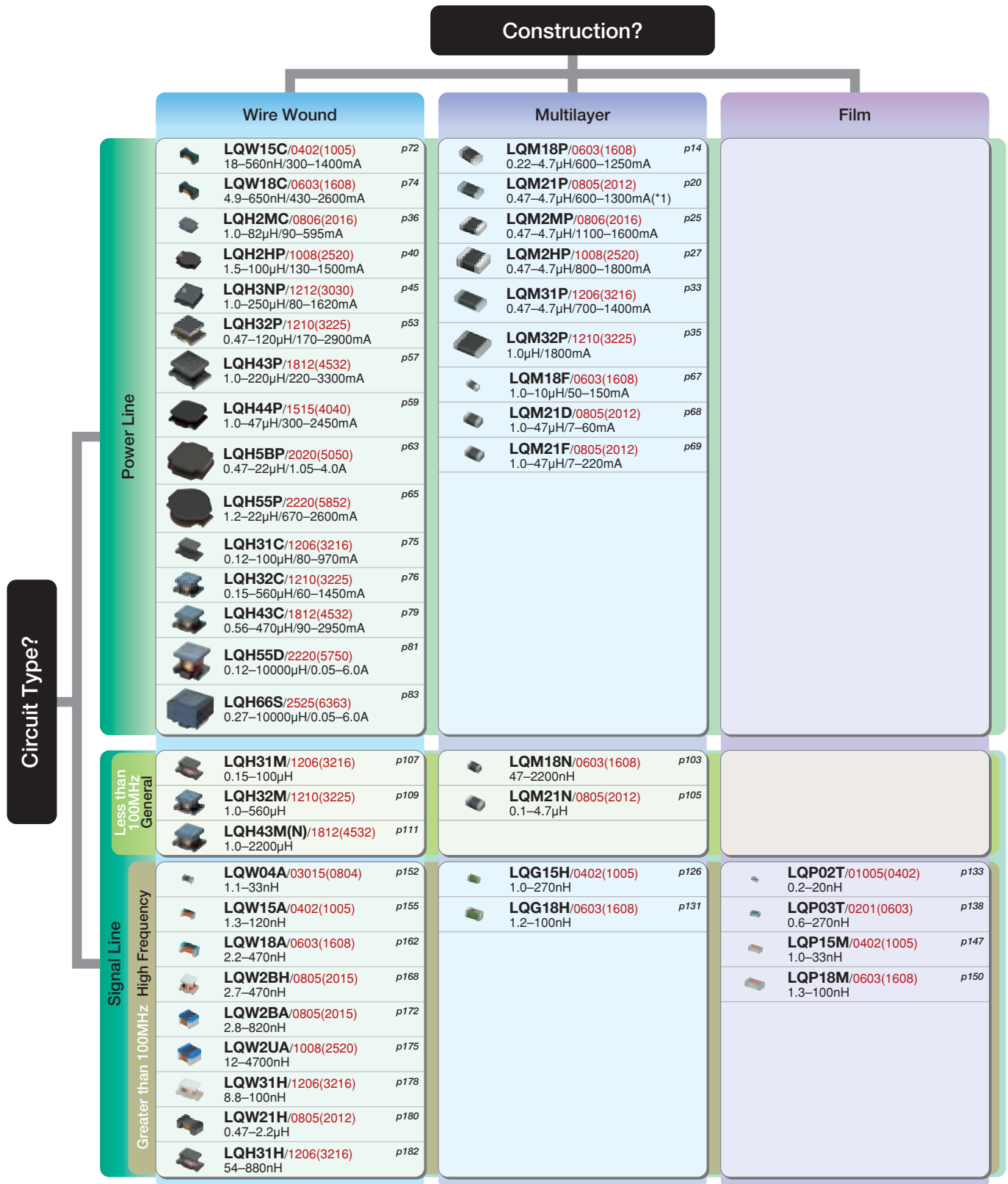
*There are some items which do not match to E step.

CAUTION: Use rosin-based flux, but not strong acidic flux (with chlorine content exceeding 0.2wt%) when soldering chip inductor (chip coil). Do not use water-soluble flux.

⚠Note • Please read rating and ⚠CAUTION (for storage, operating, rating, soldering, mounting and handling) in this catalog to prevent smoking and/or burning, etc.
• This catalog has only typical specifications. Therefore, please approve our product specifications or transact the approval sheet for product specifications before ordering.

	Part Number	Rated Current (mA)				E-24 Step	E-12 Step	Tight Tolerance	Thickness max.	Ferrite Core Shield	Magnetic Resin Shield	Flow OK	Reflow OK	New
		10	100	1000	10000									
Inductor for Power Lines (Power Inductor)	LQW15C_00	p72		390	1400			0.6mm				Reflow		
	LQW15C_10	p73		300	370			0.6mm				Reflow	New	
	LQW18C	p74		430	2600							Reflow		
	LQH2MC_02	p36	90	485				0.95mm				Reflow		
	LQH2MC_52	p38	130	595				0.7mm				Reflow		
	LQH2HP_G0	p40	130	1000				1.0mm	Resin			Reflow		
	LQH2HP_J0	p42		550	1500			1.2mm	Resin			Reflow	New	
	LQH2HP_M0	p44		800	1250			1.5mm	Resin			Reflow	New	
	LQH3NP_M0	p45		200	1400			1.5mm	Resin			Reflow		
	LQH3NP_MR	p47		320	1600			1.5mm	Resin			Reflow		
	LQH3NP_J0	p49		200	1620			1.2mm	Resin			Reflow		
	LQH3NP_G0	p51	80	1525				1.0mm	Resin			Reflow		
	LQH32P_N0	p53		170	2550			1.7mm	Resin			Reflow		
	LQH32P_NC	p55		550	2900			1.7mm	Resin			Reflow		
	LQH43P_26	p57		220	3300			2.8mm	Resin	Flow		Reflow		
	LQH44P_P0	p59		790	2450			1.8mm	Resin			Reflow		
	LQH44P_J0	p61		300	1530			1.2mm	Resin			Reflow		
	LQH5BP_T0	p63		1050	4000			2.2mm	Resin			Reflow		
	LQH55P_R0	p65		670	2600			2.0mm	Resin			Reflow		
	LQH31C	p75	80	970							Flow	Reflow		
	LQH32C_23/33	p76	60	1450							Flow	Reflow		
	LQH32C_53	p78	100	1000							Flow	Reflow		
	LQH43C_03	p79	90	1080							Flow	Reflow		
	LQH43C_33	p80		1600	2950			2.8mm			Flow	Reflow		
	LQH55D	p81	50	6000								Reflow		
	LQH66S	p83	50	6000					Ferrite			Reflow		
	LQM18P_B0	p14		600				0.4mm	Ferrite		Flow	Reflow		
	LQM18P_C0	p15		700				0.55mm	Ferrite		Flow	Reflow		
	LQM18P_D0	p16		700				0.75mm	Ferrite		Flow	Reflow	New	
	LQM18P_F0	p17		600				0.95mm	Ferrite		Flow	Reflow		
	LQM18P_FR	p18		620	1250			0.95mm	Ferrite		Flow	Reflow		
	LQM21P_C0	p20		600	1100			0.55mm	Ferrite		Flow	Reflow		
	LQM21P_G0	p21		800	1300			1.0mm	Ferrite		Flow	Reflow		
	LQM21P_GS	p22		750	950			1.0mm	Ferrite		Flow	Reflow	New	
	LQM21P_GC	p23		800	900			1.0mm	Ferrite		Flow	Reflow		
	LQM21P_GR	p24		800	1300			1.0mm	Ferrite		Flow	Reflow		
	LQM2MP_G0	p25		1100	1600			1.0mm	Ferrite		Flow	Reflow		
	LQM2HP_J0	p27		1000	1500			1.2mm	Ferrite		Flow	Reflow		
	LQM2HP_JC	p28		1000	1500			1.2mm	Ferrite		Flow	Reflow		
	LQM2HP_G0	p29		1100	1800			1.0mm	Ferrite		Flow	Reflow		
	LQM2HP_GS	p30		1000	1100			1.0mm	Ferrite		Flow	Reflow	New	
	LQM2HP_GC	p31		800	1500			1.0mm	Ferrite		Flow	Reflow		
	LQM2HP_E0	p32			1500			0.8mm	Ferrite		Flow	Reflow		
	LQM31P_00	p33		700	1400			0.95mm	Ferrite		Flow	Reflow		
	LQM31P_C0	p34		900	1300			0.55mm	Ferrite		Flow	Reflow		
LQM32P_G0	p35			1800			1.0mm	Ferrite			Reflow			
LQM18F	p67	50	150					Ferrite		Flow	Reflow			
LQM21D	p68	7	60					Ferrite		Flow	Reflow			
LQM21F	p69	7	220					Ferrite		Flow	Reflow			
General Purpose Inductor	LQM18N	p103	15	50			E-12	Ferrite		Flow	Reflow			
	LQM21N	p105	30	250			E-12	Ferrite		Flow	Reflow			
	LQH31M	p107	45	250			E-12			Flow	Reflow			
	LQH32M	p109	40	445			E-12			Flow	Reflow			
	LQH43M(N)	p111	30	500			E-12			Flow	Reflow			
RF Inductor	LQG15H	p126	110	300			E-24	E-12				Reflow		
	LQG18H	p131	300	500			E-12					Reflow		
	LQP02T	p133	100	320			E-24	Tight				Reflow		
	LQP03TG_02	p138	140	850			E-24	E-12	Tight			Reflow	New	
	LQP03TN_02	p142	60	850			E-24	E-12	Tight			Reflow		
	LQP15M	p147	60	400			E-24	E-12	Tight			Reflow		
	LQP18M	p150	50	300			E-12	Tight				Reflow		
	LQW04A	p152	140	990			E-12					Reflow		
	LQW15A	p155	110	1200			E-12	Tight				Reflow		
	LQW18A	p162	75	1400			E-24	E-12	Tight			Reflow		
	LQW2BH	p168	160	1900			E-12	Tight			Flow	Reflow		
	LQW2BA	p172	180	800			E-12					Reflow		
	LQW2UA	p175	260	1000			E-12					Reflow		
	LQW31H	p178	230	750							Flow	Reflow		
	LQW21H	p180	75	160			E-12					Reflow		
LQH31H	p182	180	920							Flow	Reflow			

⚠Note • Please read rating and ⚠CAUTION (for storage, operating, rating, soldering, mounting and handling) in this catalog to prevent smoking and/or burning, etc.
• This catalog has only typical specifications. Therefore, please approve our product specifications or transact the approval sheet for product specifications before ordering.



Guide for Digits in this Chart:

● for LQH2MC **0806(2016)/1.0–82µH/90–595mA**

Size (inch)
Size (mm)
Inductance
Rated Current

*1 In operating temperature exceeding +85°C, derating of current is necessary for LQM21PN3R3NG0/LQM21PN3R3MG0-LQW15C series. Please apply the derating curve shown in detailed page according to the operating temperature.

⚠ Note • Please read rating and ⚠ CAUTION (for storage, operating, rating, soldering, mounting and handling) in this catalog to prevent smoking and/or burning, etc.
• This catalog has only typical specifications. Therefore, please approve our product specifications or transact the approval sheet for product specifications before ordering.



Which Thickness?

Inductor for Power Lines (Power Inductor)

	Multilayer Type	Wire Wound Type	Multilayer Type for Choke	Wire Wound Type for Choke
0.35mm	LQM18P_B0			
0.5mm	LQM18P_C0 / LQM21P_C0 / LQM31P_C0			LQW15C
0.6mm	LQM18P_D0			
0.65mm		LQH2MC_52		
0.7mm	LQM2HP_E0			
0.8mm	LQM18P_F0 / FR		LQM18F	LQW18C
0.85mm	LQM31P_00		LQM21D (1.0 to 10μH) / LQM21F_00	
0.9mm	LQM21P_G0 / GS / GC / GR / LQM2MP_G0 / LQM2HP_G0 / GS / GC / LQM32P_G0	LQH2MC_02 / LQH2HP_G0 / LQH3NP_G0		
1.0mm			LQM31F	
1.1mm	LQM2HP_J0	LQH2HP_J0 / LQH3NP_J0 / LQH44P_J0		
1.25mm			LQM21D (22 to 47μH) / LQM21F_70 / 80	
1.4mm		LQH2HP_M0 LQH3NP_M0 / MR		
1.55mm		LQH32P_N0 / NC		LQH32C_53
1.65mm		LQH44P_P0		
1.8mm				LQH31C
1.85mm		LQH55P_R0		
2.0mm		LQH5BP		LQH32C_23 / 33
2.6mm		LQH43P_26		LQH43C_03 / 33
4.7mm				LQH55D / LQH66S

Which Thickness?

Inductor for Low Frequency Circuits

RF Inductor

	Multilayer Type	Wire Wound Type	Multilayer Type	Film Type	Wire Wound Type
0.2mm				LQP02T	
0.3mm				LQP03T	
0.35mm				LQP15M	
0.4mm				LQP15T	LQW04A
0.5mm			LQG15HN / LQG15HS	LQP18M	LQW15A
0.8mm	LQM18N		LQG18H		LQW18A
0.85mm	LQM21N (0.1 to 2.2μH)				
0.9mm					LQW21H
1.25mm	LQM21N (2.7 to 4.7μH)				
1.42mm					LQW2BA
1.7mm					LQW2BH
1.8mm		LQH31M			LQH31H / LQW31H
1.83mm					LQW2UA
2.0mm		LQH32M			
2.6mm		LQH43M(N)			

⚠Note • Please read rating and ⚠CAUTION (for storage, operating, rating, soldering, mounting and handling) in this catalog to prevent smoking and/or burning, etc.
• This catalog has only typical specifications. Therefore, please approve our product specifications or transact the approval sheet for product specifications before ordering.



Memo

● Inductor for Power Lines (Power Inductor)

Introduction	10
Product Guide	11
Part Numbering	12
Product Detail	14
⚠Caution/Notice	85
Soldering and Mounting	87
Packaging	91
Design Kits	95

⚠Note • Please read rating and ⚠CAUTION (for storage, operating, rating, soldering, mounting and handling) in this catalog to prevent smoking and/or burning, etc.
• This catalog has only typical specifications. Therefore, please approve our product specifications or transact the approval sheet for product specifications before ordering.

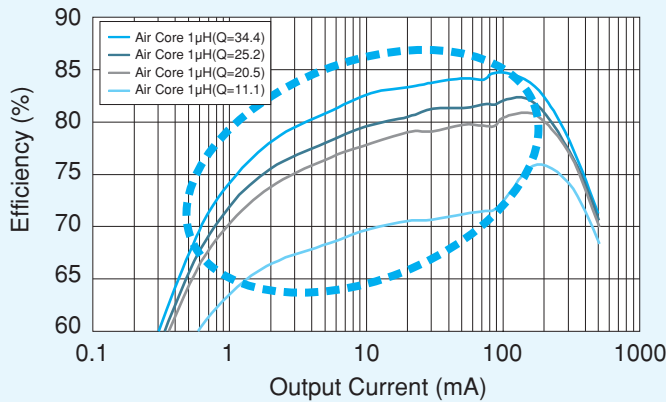
Introduction of Power Inductor

Voltage Conversion Efficiency

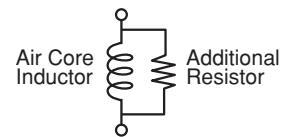
Effect of losses in power inductor to voltage conversion efficiency
 Important factor of power inductor changes according to working condition of power supply.

●Effect of Magnetic Loss

Magnetic loss affect to efficiency at low output condition.

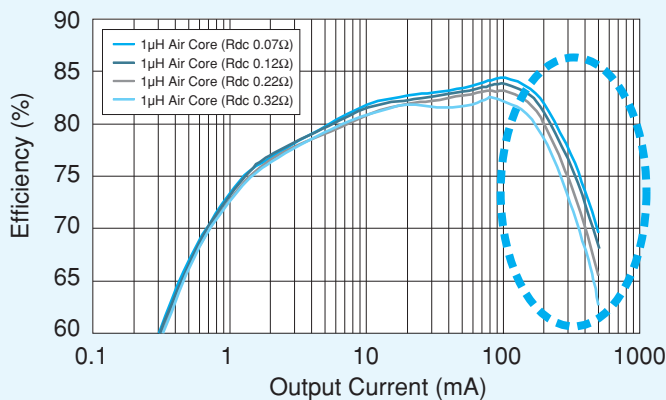


Tested Sample

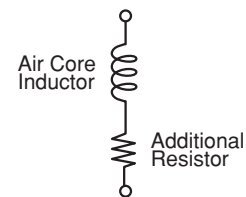


●Effect of DC Resistance

DC resistance affect to efficiency at high output condition.



Tested Sample

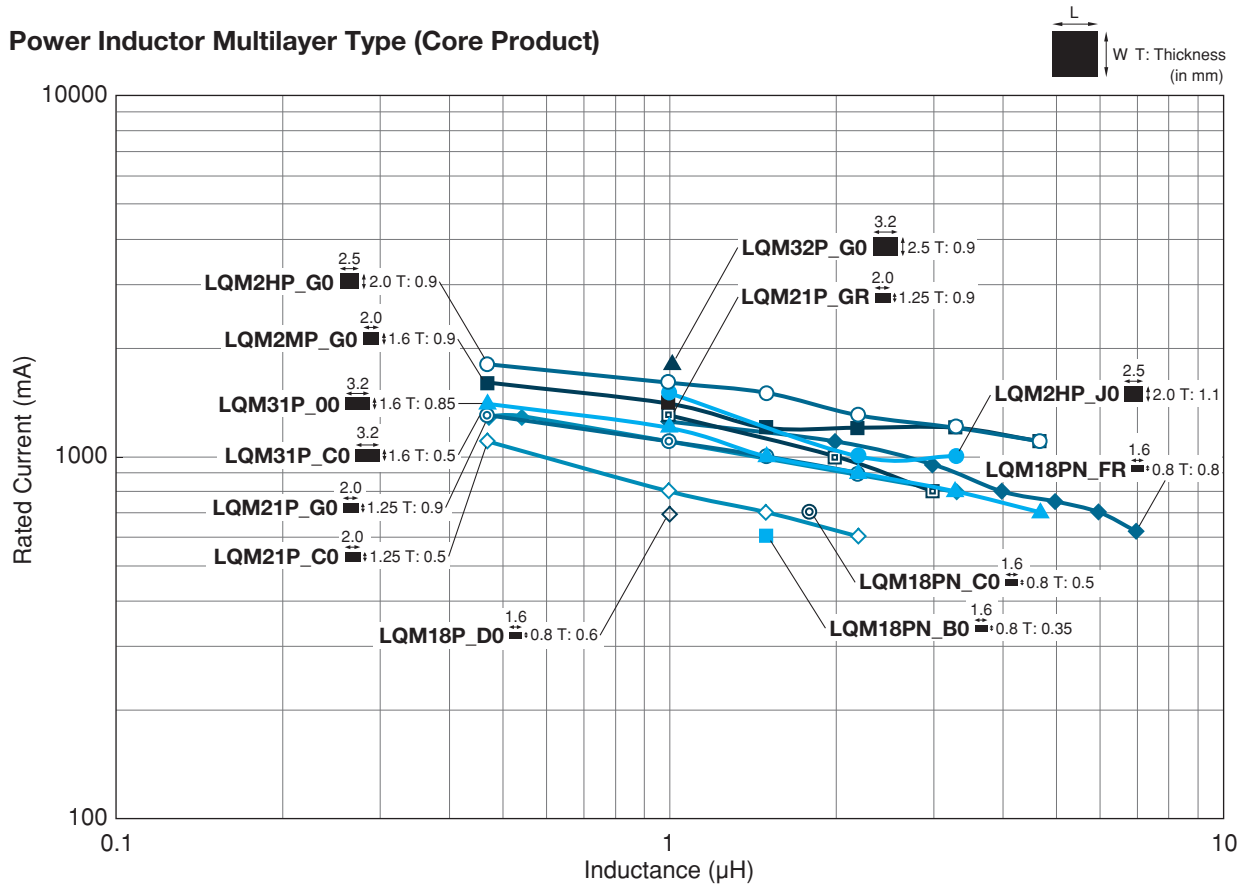


We design inductors to match the application using latest simulation technology.

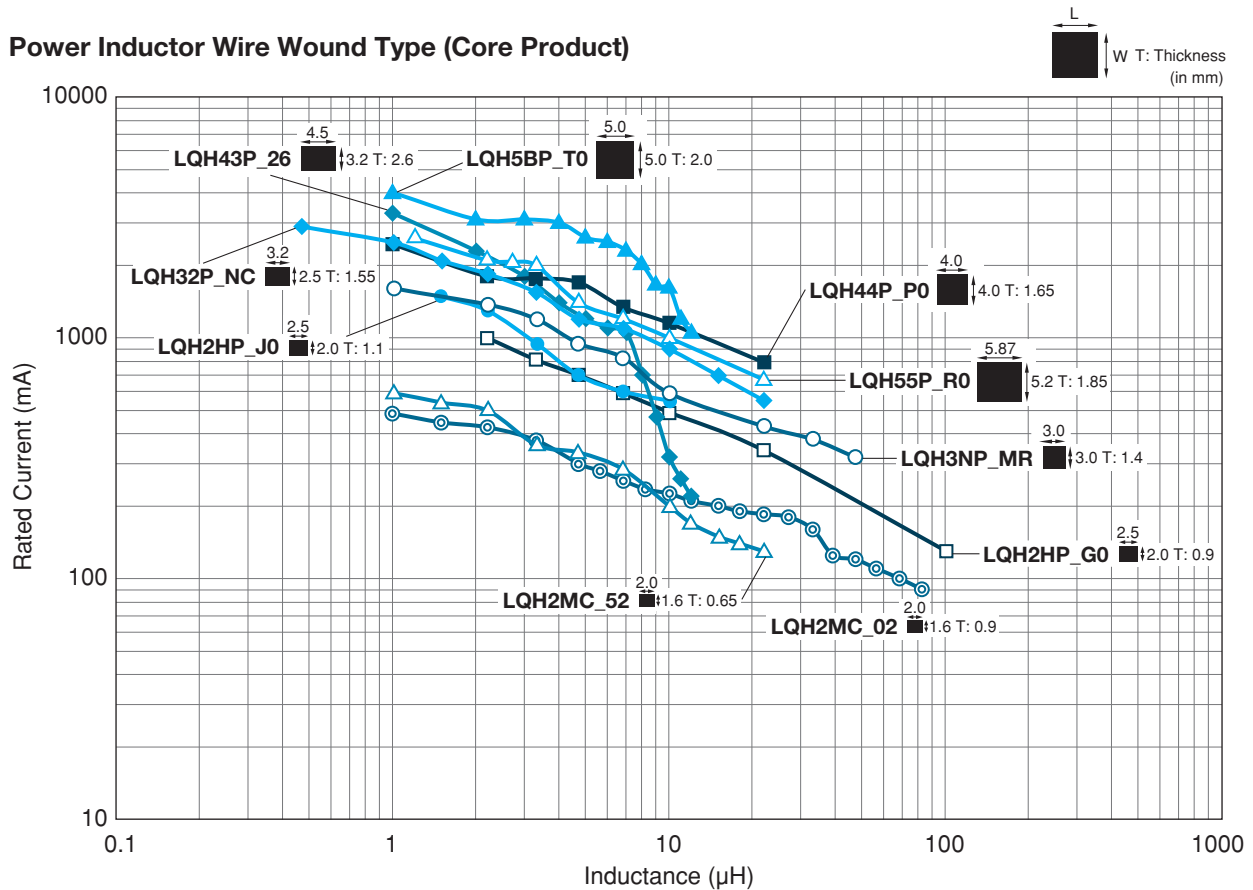


△Note • Please read rating and △CAUTION (for storage, operating, rating, soldering, mounting and handling) in this catalog to prevent smoking and/or burning, etc.
 • This catalog has only typical specifications. Therefore, please approve our product specifications or transact the approval sheet for product specifications before ordering.

Power Inductor Multilayer Type (Core Product)

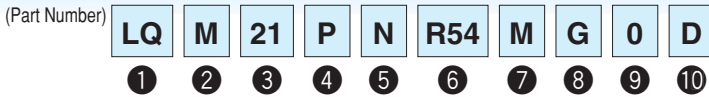


Power Inductor Wire Wound Type (Core Product)



Note • Please read rating and CAUTION (for storage, operating, rating, soldering, mounting and handling) in this catalog to prevent smoking and/or burning, etc.
 • This catalog has only typical specifications. Therefore, please approve our product specifications or transact the approval sheet for product specifications before ordering.

Inductor for Power Lines (Power Inductor) Part Numbering



① Product ID

Product ID	
LQ	Chip Inductors (Chip Coils)

② Structure

Code	Structure
H	Wire Wound Type (Ferrite Core)
W	
M	Multilayer Type (Ferrite Core)

③ Dimensions (L×W)

Code	Dimensions (L×W)	EIA
15	1.0×0.5mm	0402
18	1.6×0.8mm	0603
21	2.0×1.25mm	0805
2M	2.0×1.6mm	0806
2H	2.5×2.0mm	1008
3N	3.0×3.0mm	1212
31	3.2×1.6mm	1206
32	3.2×2.5mm	1210
43	4.5×3.2mm	1812
44	4.0×4.0mm	1515
5B	5.0×5.0mm	2020
55	5.7×5.0mm/5.87×5.2mm	2220
66	6.3×6.3mm	2525

④ Applications and Characteristics

Code	Series	Applications and Characteristics
D	LQM	for Choke (Low-current DC Power Supplies)
F		for Choke (DC Power Supplies)
D	LQH	for Choke
S		for Choke (Magnetically Shielded Type)
C	LQH/LQW	for Choke (Coating Type)
P	LQM/LQH	for Power Line

⑤ Category

Code	Category
N	Standard Type

⑥ Inductance

Expressed by three-digit alphanumerics. The unit is micro-henry (μH). The first and second figures are significant digits, and the third figure expresses the number of zeros which follow the two figures. If there is a decimal point, it is expressed by the capital letter "R". In this case, all figures are significant digits. If inductance is less than 0.1 μH, the inductance code is expressed by a combination of two figures and the capital letter "N", and the unit of inductance is nano-henry (nH). The capital letter "N" indicates the unit of "nH", and also expresses a decimal point. In this case, all figures are significant digits.

⑦ Inductance Tolerance

Code	Inductance Tolerance
D	±0.5nH
J	±5%
K	±10%
M	±20%
N	±30%

⑧ Features (Except LQH□□P/LQM□□P)

Code	Features	Series
0	Standard Type	LQM/LQH*1 /LQW
1	Low DC Resistance	LQW
2	Standard Type	LQH32C
3	Low DC Resistance	LQH32C/43CN
5	Low Profile Type	LQH2MC/32C
7	Large Current Type	LQM21F
8	Low DC Resistance /Large Current Type	

*1 Except LQH32 Series

⑧ Thickness (LQH□□P/LQM□□P Only • Except LQH43P)

Code	Dimensions (T)
B	0.35mm
C	0.5mm
D	0.6mm
E	0.7mm
F	0.8mm
0	0.85mm
G	0.9mm
J	1.1mm
M	1.4mm
N	1.55mm
P	1.65mm
R	1.85mm
T	2.0mm

⑨ Electrode (Except LQH□□P/LQM□□P)

•Lead (Pb) Free

Code	Electrode	Series
0	Sn	LQM/LQW
2		LQH2MC
3	LF Solder	LQH (Except LQH2MC)

⑨ Specification (LQH□□P/LQM□□P Only • Except LQH43P)

Code	Specification
0/S	Standard Type
C	Good Bias Current Characteristics Type
R	Low Rdc Type

⑧ Thickness (LQH43P Only)

Code	Dimensions (T)
26	2.6mm

Continued on the following page. 

△Note • Please read rating and △CAUTION (for storage, operating, rating, soldering, mounting and handling) in this catalog to prevent smoking and/or burning, etc.
• This catalog has only typical specifications. Therefore, please approve our product specifications or transact the approval sheet for product specifications before ordering.

⑩ Packaging

Code	Packaging	Series
K	Embossed Taping (ø330mm Reel)	LQH*1 /LQM21*2
F		LQH3NP_MR
L	Embossed Taping (ø180mm Reel)	LQH*5/LQM18P/LQM21*2 /LQM31P/LQM2HP/LQM2MP
E		LQH3NP_MR
B	Bulk	LQH2MC/LQM/LQW
J	Paper Taping (ø330mm Reel)	LQM18/LQM21*3
D	Paper Taping (ø180mm Reel)	LQM18/LQM21*4 /LQW

*1 Except LQH2MC/LQH2HP_G0/LQH3NP/LQH43C

*2 LQM21D(22 - 47μH)/LQM21F(4.7 - 47μH)

*3 LQM21D(1.0 - 10μH)/LQM21F(1.0 - 2.2μH)

*4 LQM21D(1.0 - 10μH)/LQM21F(1.0 - 2.2μH)/LQM21P

*5 Except LQH3NP_MR

LQM18P_B0 Series (0603 Size)

LQM18P_B0

Thickness
0.4mm
max.

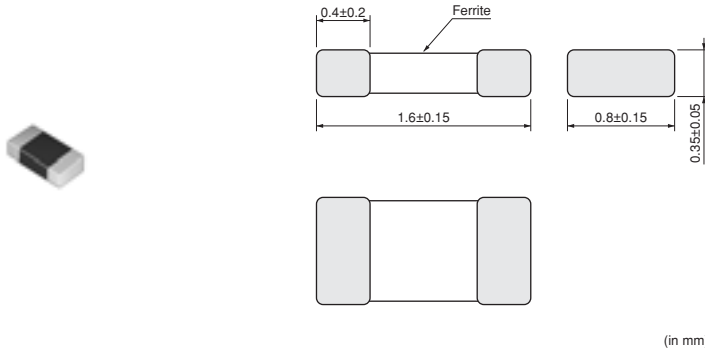
Ferrite
Core
Shield

Flow OK

Reflow
OK

0603 Size, 0.4mm max. Thickness

■ Dimensions



■ Packaging

Code	Packaging	Minimum Quantity
L	180mm Embossed Tape	4000
B	Bulk (Bag)	1000

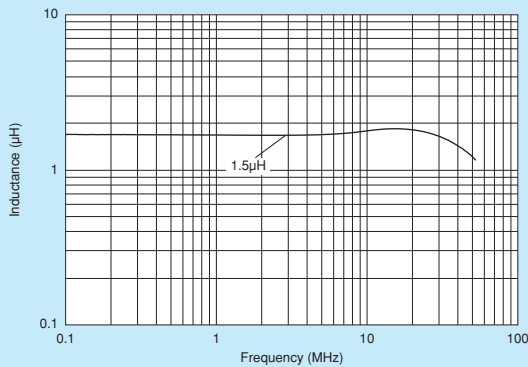
Refer to pages from p.87 to p.90 for mounting information.

■ Rated Value (□: packaging code)

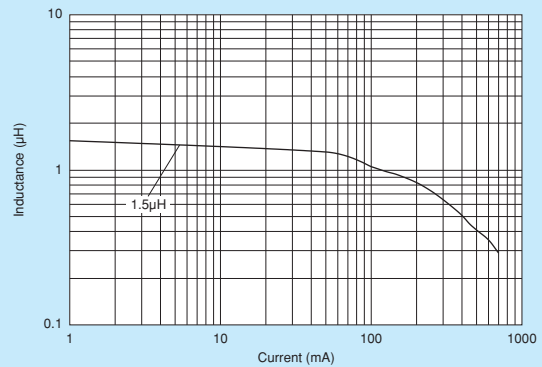
Part Number	Inductance	Rated Current	DC Resistance	Self Resonance Frequency (min.)	
LQM18PN1R5NB0□	1.5μH ±30%	600mA	0.35ohm ±25%	50MHz	Kit

Test Frequency: 1MHz Class of Magnetic Shield: Magnetic shield of ferrite Operating Temperature Range: -55°C to +125°C

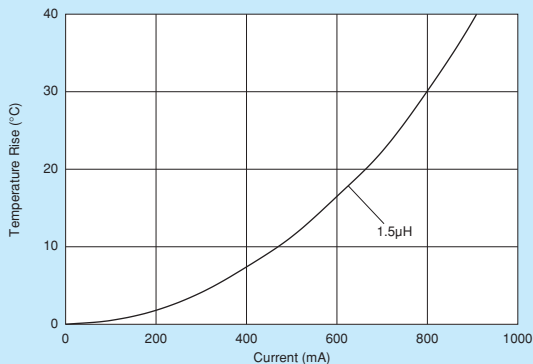
■ Inductance-Frequency Characteristics (Typ.)



■ Inductance-Current Characteristics (Typ.)



■ Temperature Rise Characteristics (Typ.)



⚠Note • Please read rating and ⚠CAUTION (for storage, operating, rating, soldering, mounting and handling) in this catalog to prevent smoking and/or burning, etc.
• This catalog has only typical specifications. Therefore, please approve our product specifications or transact the approval sheet for product specifications before ordering.

LQM18P_C0 Series (0603 Size)

LQM18P_C0

Thickness
0.55mm
max.

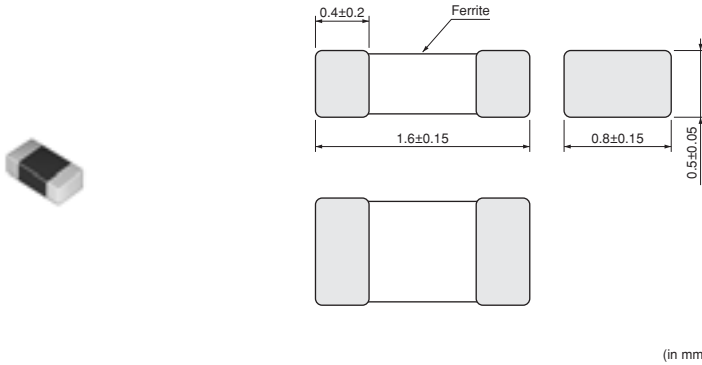
Ferrite
Core
Shield

Flow OK

Reflow
OK

0603 Size, 0.55mm max. Thickness

■ Dimensions



■ Packaging

Code	Packaging	Minimum Quantity
L	180mm Embossed Tape	4000
B	Bulk (Bag)	1000

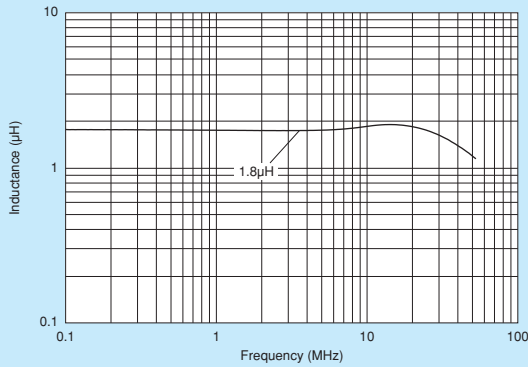
Refer to pages from p.87 to p.90 for mounting information.

■ Rated Value (□: packaging code)

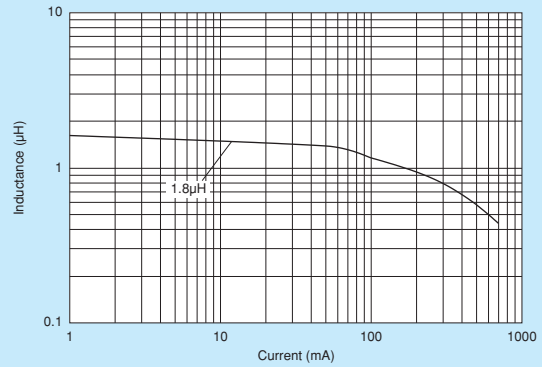
Part Number	Inductance	Rated Current	DC Resistance	Self Resonance Frequency (min.)	
LQM18PN1R8NC0□	1.8μH ±30%	700mA	0.24ohm ±25%	50MHz	Kit

Test Frequency: 1MHz Class of Magnetic Shield: Magnetic shield of ferrite Operating Temperature Range: -55°C to +125°C

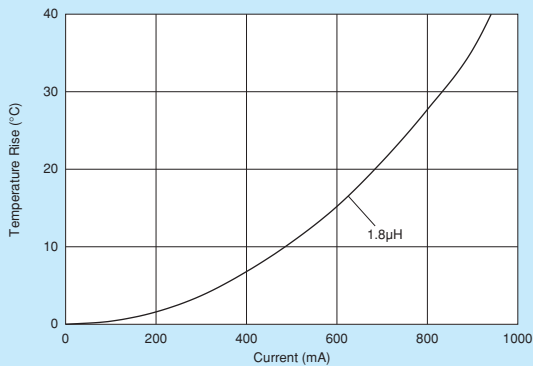
■ Inductance-Frequency Characteristics (Typ.)



■ Inductance-Current Characteristics (Typ.)



■ Temperature Rise Characteristics (Typ.)



△Note • Please read rating and △CAUTION (for storage, operating, rating, soldering, mounting and handling) in this catalog to prevent smoking and/or burning, etc.
• This catalog has only typical specifications. Therefore, please approve our product specifications or transact the approval sheet for product specifications before ordering.

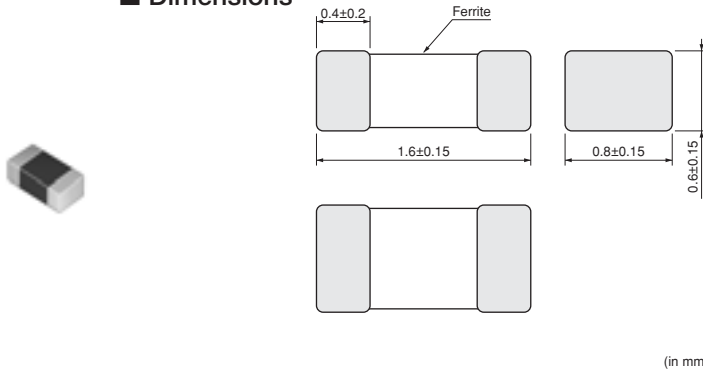
LQM18P_D0 Series (0603 Size)

LQM18P_D0



0603 Size, 0.75mm max. Thickness

■ Dimensions



■ Packaging

Code	Packaging	Minimum Quantity
D	180mm Paper Tape	4000
B	Bulk(Bag)	1000

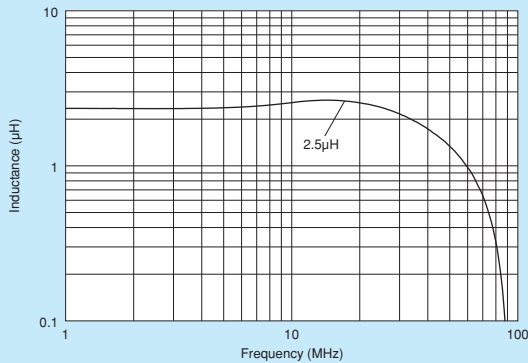
Refer to pages from p.87 to p.90 for mounting information.

■ Rated Value (□: packaging code)

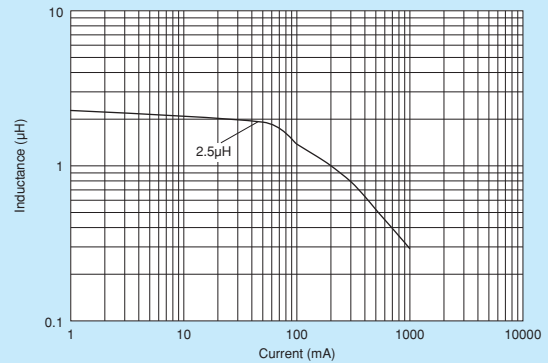
Part Number	Inductance	Rated Current	DC Resistance	Self Resonance Frequency (min.)	
LQM18PN2R5ND0□	2.5μH ±30%	700mA	0.24ohm ±25%	60MHz	New Kit

Test Frequency: 1MHz Class of Magnetic Shield: Magnetic shield of ferrite Operating Temperature Range: -40°C to +85°C

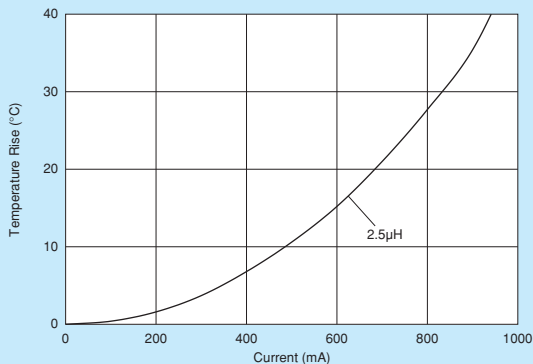
■ Inductance-Frequency Characteristics (Typ.)



■ Inductance-Current Characteristics (Typ.)



■ Temperature Rise Characteristics (Typ.)



△Note • Please read rating and △CAUTION (for storage, operating, rating, soldering, mounting and handling) in this catalog to prevent smoking and/or burning, etc.
• This catalog has only typical specifications. Therefore, please approve our product specifications or transact the approval sheet for product specifications before ordering.

Inductor for Power Lines (Power Inductor)
Multilayer Magnetic Type for Voltage Conversion

Inductor for Low Frequency Circuits

RF Inductor

LQM18P_F0 Series (0603 Size)

LQM18P_F0

Thickness
0.95mm
max.

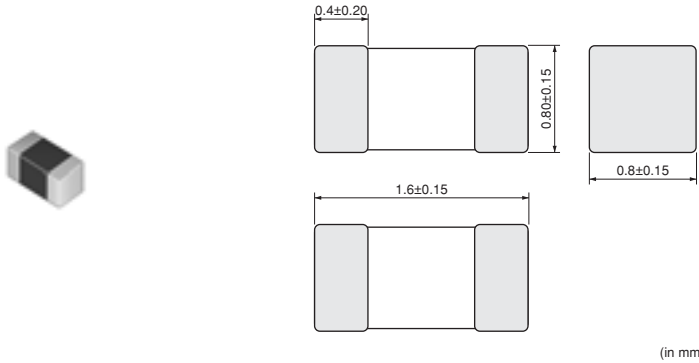
Ferrite
Core
Shield

Flow OK

Reflow
OK

0603 Size, 0.95mm max. Thickness

■ Dimensions



■ Packaging

Code	Packaging	Minimum Quantity
L	180mm Embossed Tape	4000
B	Bulk(Bag)	1000

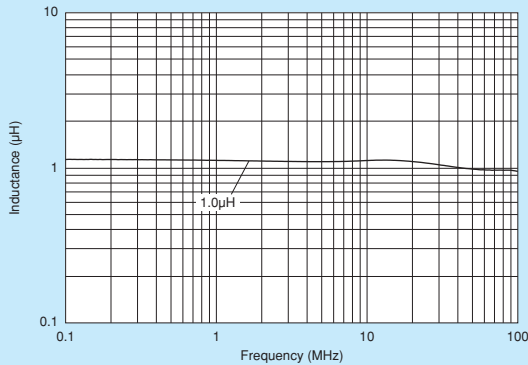
Refer to pages from p.87 to p.90 for mounting information.

■ Rated Value (□: packaging code)

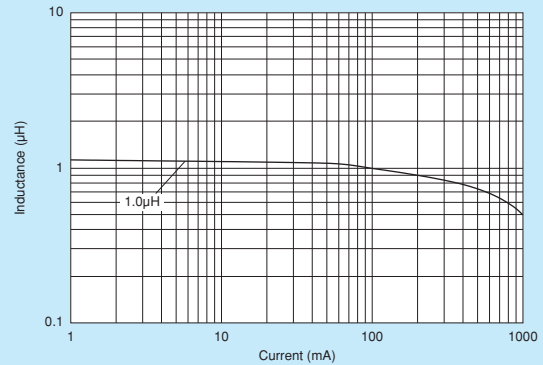
Part Number	Inductance	Rated Current	DC Resistance	Self Resonance Frequency (min.)	
LQM18PN1R0NF0□	1.0μH ±30%	600mA	0.28ohm ±25%	50MHz	Kit

Test Frequency: 1MHz Class of Magnetic Shield: Magnetic shield of ferrite Operating Temperature Range: -55°C to +125°C

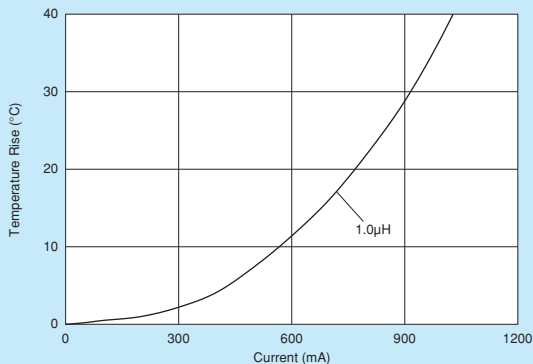
■ Inductance-Frequency Characteristics (Typ.)



■ Inductance-Current Characteristics (Typ.)



■ Temperature Rise Characteristics (Typ.)

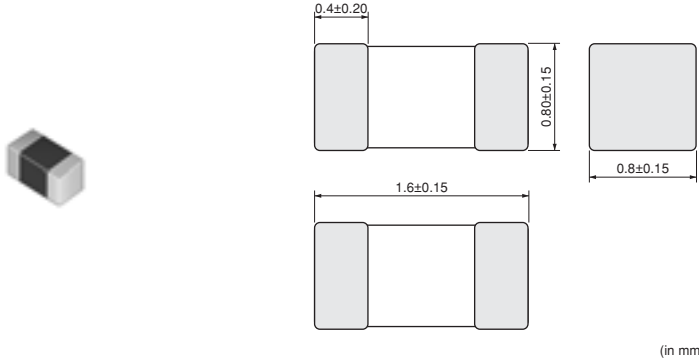


△Note • Please read rating and △CAUTION (for storage, operating, rating, soldering, mounting and handling) in this catalog to prevent smoking and/or burning, etc.
• This catalog has only typical specifications. Therefore, please approve our product specifications or transact the approval sheet for product specifications before ordering.



Low DC Resistance Type

■ Dimensions



■ Packaging

Code	Packaging	Minimum Quantity
L	180mm Embossed Tape	4000
B	Bulk(Bag)	1000

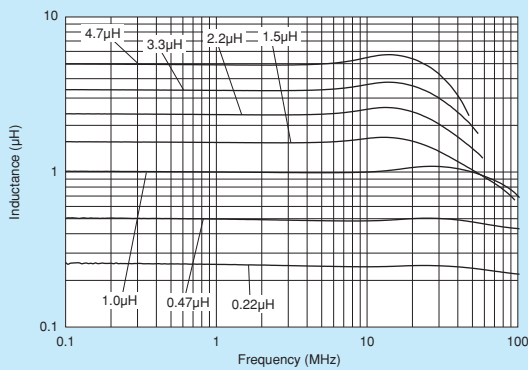
Refer to pages from p.87 to p.90 for mounting information.

■ Rated Value (□: packaging code)

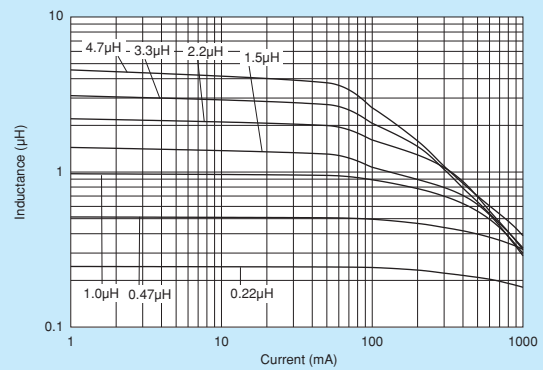
Part Number	Inductance	Rated Current	DC Resistance	Self Resonance Frequency (min.)	
LQM18PNR22NFR□	0.22μH ±30%	1250mA	0.11ohm ±25%	100MHz	Kit
LQM18PNR47NFR□	0.47μH ±30%	1100mA	0.15ohm ±25%	100MHz	Kit
LQM18PN1R0MFR□	1.0μH ±20%	950mA	0.20ohm ±25%	100MHz	Kit
LQM18PN1R5MFR□	1.5μH ±20%	800mA	0.23ohm ±25%	100MHz	Kit
LQM18PN2R2MFR□	2.2μH ±20%	750mA	0.30ohm ±25%	70MHz	Kit
LQM18PN3R3MFR□	3.3μH ±20%	700mA	0.35ohm ±25%	60MHz	Kit
LQM18PN4R7MFR□	4.7μH ±20%	620mA	0.44ohm ±25%	40MHz	Kit

Test Frequency: 1MHz Class of Magnetic Shield: Magnetic shield of ferrite Operating Temperature Range: -40°C to +85°C

■ Inductance-Frequency Characteristics (Typ.)



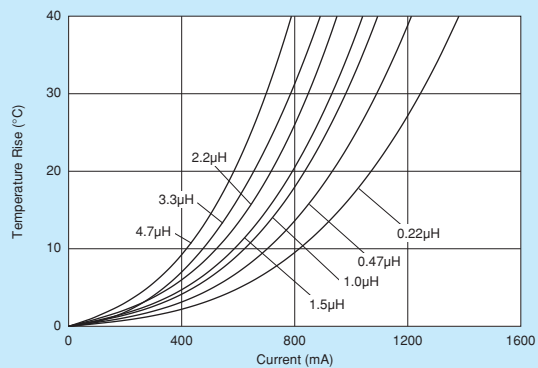
■ Inductance-Current Characteristics (Typ.)



Continued on the following page.

△Note • Please read rating and △CAUTION (for storage, operating, rating, soldering, mounting and handling) in this catalog to prevent smoking and/or burning, etc.
• This catalog has only typical specifications. Therefore, please approve our product specifications or transact the approval sheet for product specifications before ordering.

■ Temperature Rise Characteristics (Typ.)



⚠Note • Please read rating and ⚠CAUTION (for storage, operating, rating, soldering, mounting and handling) in this catalog to prevent smoking and/or burning, etc.
• This catalog has only typical specifications. Therefore, please approve our product specifications or transact the approval sheet for product specifications before ordering.

LQM21P_C0 Series (0805 Size)

LQM21P_C0

Thickness
0.55mm
max.

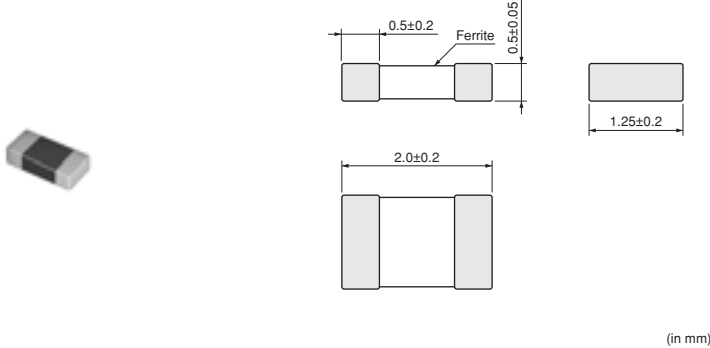
Ferrite
Core
Shield

Flow OK

Reflow
OK

0805 Size, 0.55mm max. Thickness

■ Dimensions



■ Packaging

Code	Packaging	Minimum Quantity
D	180mm Paper Tape	4000
B	Bulk(Bag)	1000

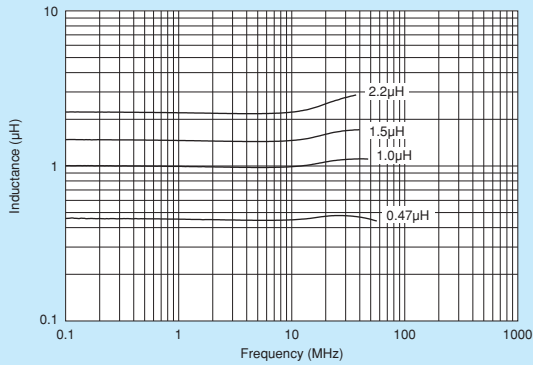
Refer to pages from p.87 to p.90 for mounting information.

■ Rated Value (□: packaging code)

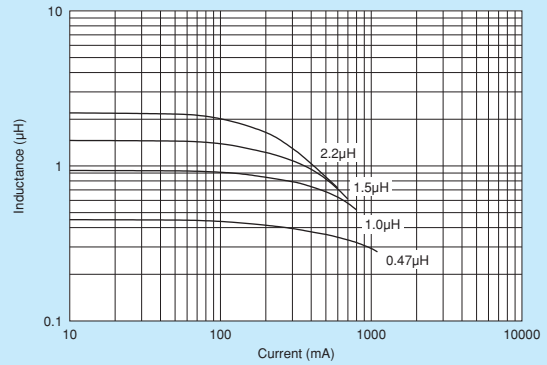
Part Number	Inductance	Rated Current	DC Resistance	Self Resonance Frequency (min.)	
LQM21PNR47MC0□	0.47μH ±20%	1100mA	0.12ohm ±25%	100MHz	Kit
LQM21PN1R0MC0□	1.0μH ±20%	800mA	0.19ohm ±25%	90MHz	Kit
LQM21PN1R5MC0□	1.5μH ±20%	700mA	0.26ohm ±25%	70MHz	Kit
LQM21PN2R2MC0□	2.2μH ±20%	600mA	0.34ohm ±25%	50MHz	Kit

Test Frequency: 1MHz Class of Magnetic Shield: Magnetic shield of ferrite Operating Temperature Range: -55°C to +125°C

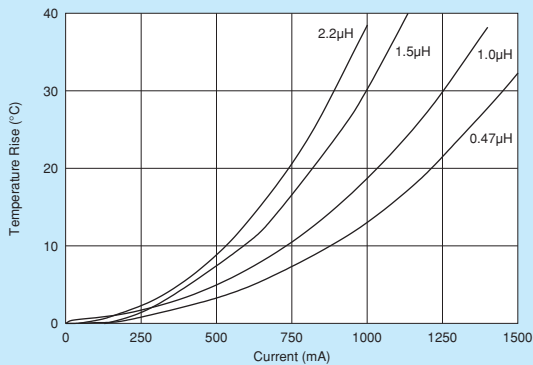
■ Inductance-Frequency Characteristics (Typ.)



■ Inductance-Current Characteristics (Typ.)



■ Temperature Rise Characteristics (Typ.)



△Note • Please read rating and △CAUTION (for storage, operating, rating, soldering, mounting and handling) in this catalog to prevent smoking and/or burning, etc.
• This catalog has only typical specifications. Therefore, please approve our product specifications or transact the approval sheet for product specifications before ordering.

Inductor for Power Lines (Power Inductor)
Multilayer Magnetic Type for Voltage Conversion

Inductor for Low Frequency Circuits

RF Inductor

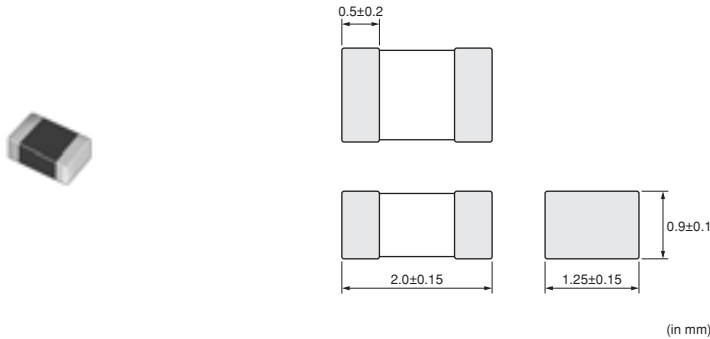
LQM21P_G0 Series (0805 Size)

LQM21P_G0



0805 Size, 1.0mm max. Thickness

■ Dimensions



■ Packaging

Code	Packaging	Minimum Quantity
D	180mm Paper Tape	4000
B	Bulk(Bag)	1000

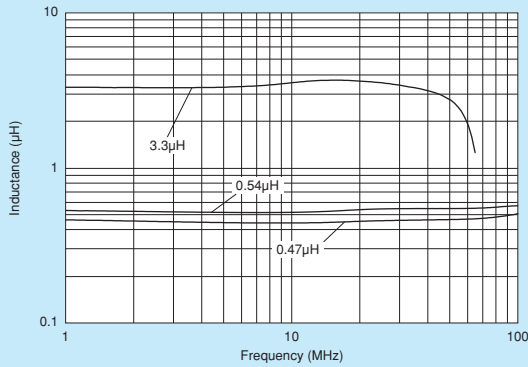
Refer to pages from p.87 to p.90 for mounting information.

■ Rated Value (□: packaging code)

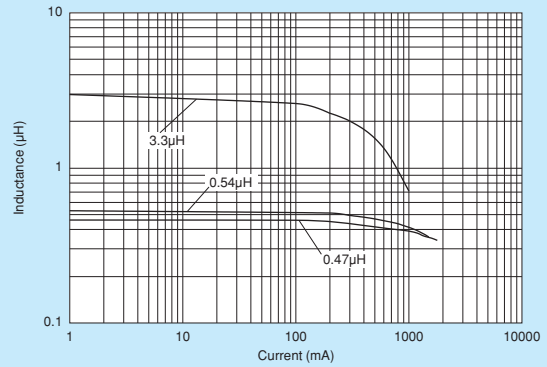
Part Number	Inductance	Rated Current	DC Resistance	Self Resonance Frequency (min.)	
LQM21PNR47MG0□	0.47μH ±20%	1300mA	0.075ohm ±25%	100MHz	New Kit
LQM21PNR54MG0□	0.54μH ±20%	1300mA	0.075ohm ±25%	100MHz	Kit
LQM21PN3R3MG0□	3.3μH ±20%	800mA	0.165ohm ±25%	30MHz	Kit
LQM21PN3R3NG0□	3.3μH ±30%	800mA	0.165ohm ±25%	30MHz	

Test Frequency: 1MHz Class of Magnetic Shield: Magnetic shield of ferrite Operating Temperature Range: -55°C to +125°C

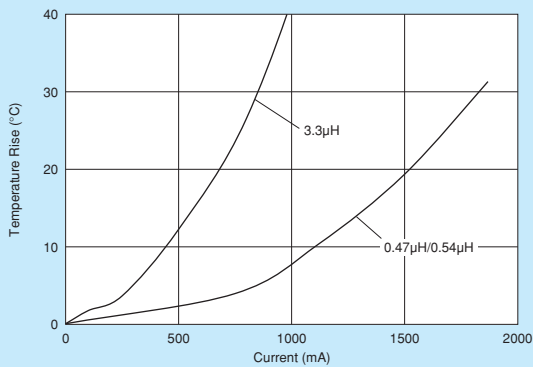
■ Inductance-Frequency Characteristics (Typ.)



■ Inductance-Current Characteristics (Typ.)



■ Temperature Rise Characteristics (Typ.)

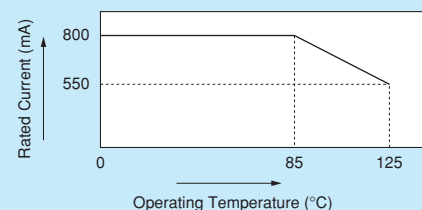


■ Notice (Rating)

In operating temperature exceeding +85°C, derating of current is necessary for LQM21PN3R3MG0/LQM21PN3R3NG0. Please apply the derating curve shown in chart according to the operating temperature.

Derating of Rated Current

(LQM21PN3R3MG0/LQM21PN3R3NG0)

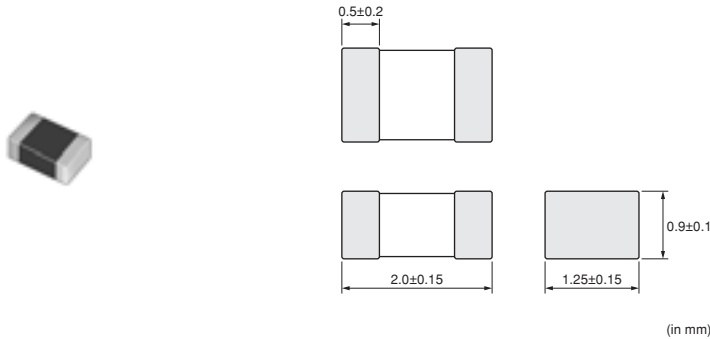


△Note • Please read rating and △CAUTION (for storage, operating, rating, soldering, mounting and handling) in this catalog to prevent smoking and/or burning, etc.
• This catalog has only typical specifications. Therefore, please approve our product specifications or transact the approval sheet for product specifications before ordering.



0805 Size, 1.0mm max. Thickness

■ Dimensions



■ Packaging

Code	Packaging	Minimum Quantity
D	180mm Paper Tape	4000
B	Bulk(Bag)	1000

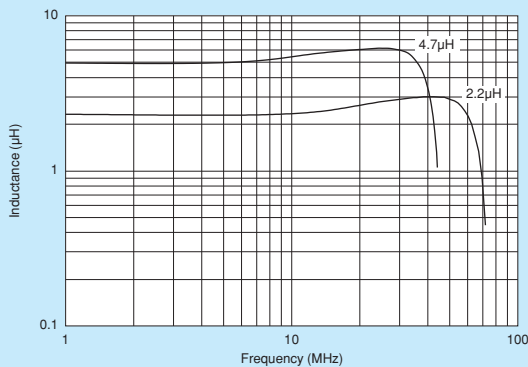
Refer to pages from p.87 to p.90 for mounting information.

■ Rated Value (□: packaging code)

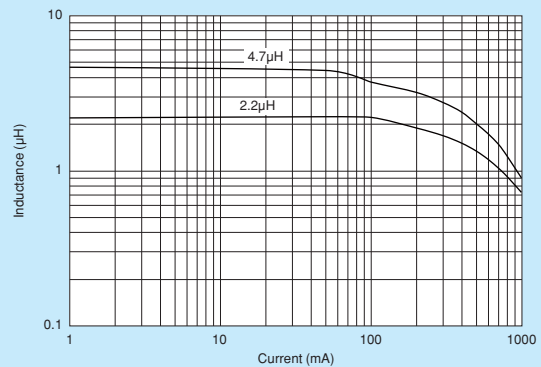
Part Number	Inductance	Rated Current	DC Resistance	Self Resonance Frequency (min.)	
LQM21PN2R2MGS□	2.2μH ±20%	950mA	0.180ohm ±25%	40MHz	New Kit
LQM21PN4R7MGS□	4.7μH ±20%	750mA	0.290ohm ±25%	20MHz	New Kit

Test Frequency: 1MHz Class of Magnetic Shield: Magnetic shield of ferrite Operating Temperature Range: -40°C to +85°C

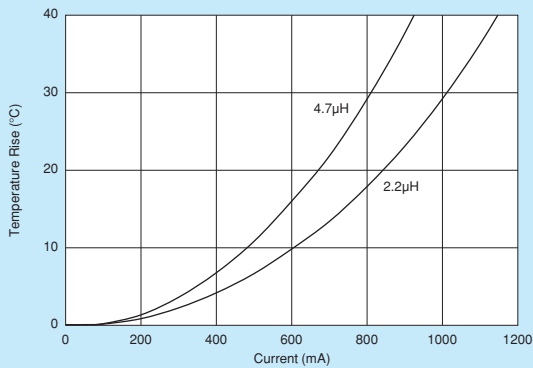
■ Inductance-Frequency Characteristics (Typ.)



■ Inductance-Current Characteristics (Typ.)



■ Temperature Rise Characteristics (Typ.)

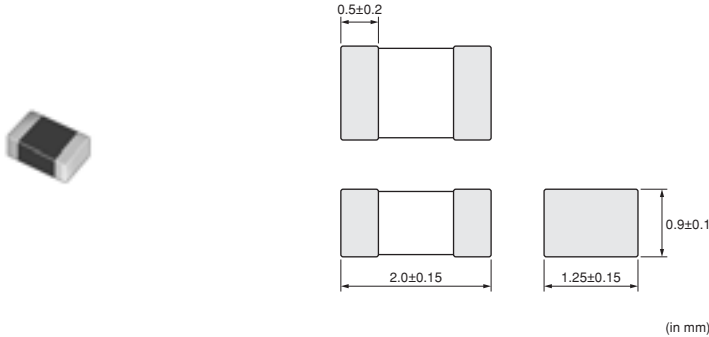


△Note • Please read rating and △CAUTION (for storage, operating, rating, soldering, mounting and handling) in this catalog to prevent smoking and/or burning, etc.
• This catalog has only typical specifications. Therefore, please approve our product specifications or transact the approval sheet for product specifications before ordering.



Bias Current Characteristics Improved

■ Dimensions



■ Packaging

Code	Packaging	Minimum Quantity
D	180mm Paper Tape	4000
B	Bulk(Bag)	1000

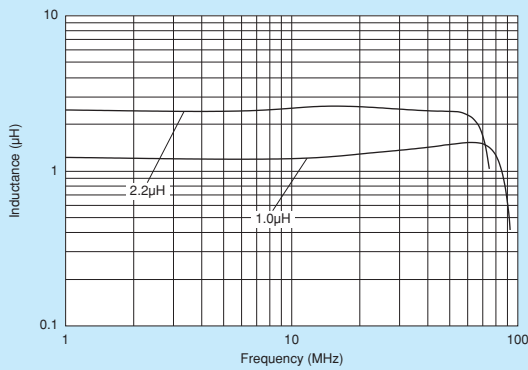
Refer to pages from p.87 to p.90 for mounting information.

■ Rated Value (□: packaging code)

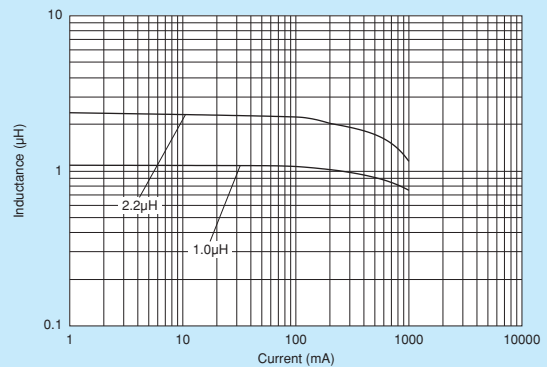
Part Number	Inductance	Rated Current	DC Resistance	Self Resonance Frequency (min.)	
LQM21PN1R0NGC□	1.0μH ±30%	900mA	0.10ohm ±25%	50MHz	Kit
LQM21PN2R2NGC□	2.2μH ±30%	800mA	0.23ohm ±25%	40MHz	Kit

Test Frequency: 1MHz Class of Magnetic Shield: Magnetic shield of ferrite Operating Temperature Range: -55°C to +125°C

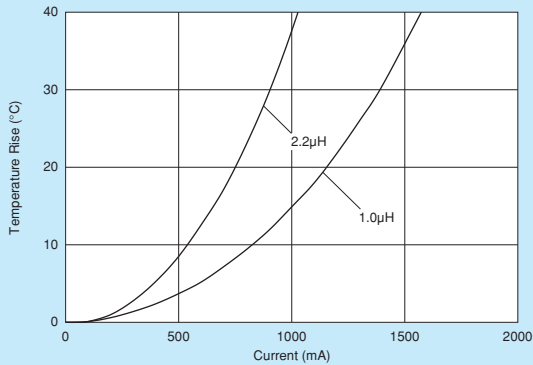
■ Inductance-Frequency Characteristics (Typ.)



■ Inductance-Current Characteristics (Typ.)



■ Temperature Rise Characteristics (Typ.)

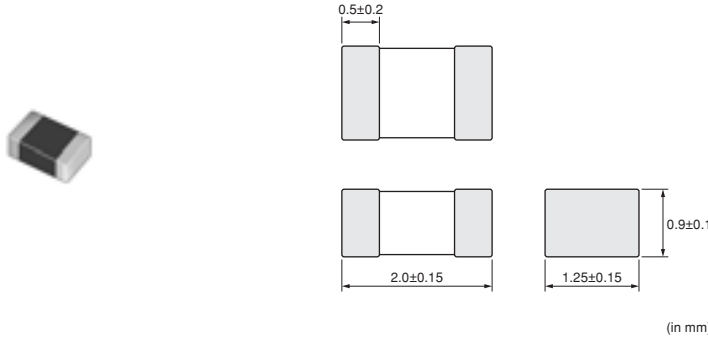


△Note • Please read rating and △CAUTION (for storage, operating, rating, soldering, mounting and handling) in this catalog to prevent smoking and/or burning, etc.
• This catalog has only typical specifications. Therefore, please approve our product specifications or transact the approval sheet for product specifications before ordering.



Low DC Resistance Type

■ Dimensions



■ Packaging

Code	Packaging	Minimum Quantity
D	180mm Paper Tape	4000
B	Bulk(Bag)	1000

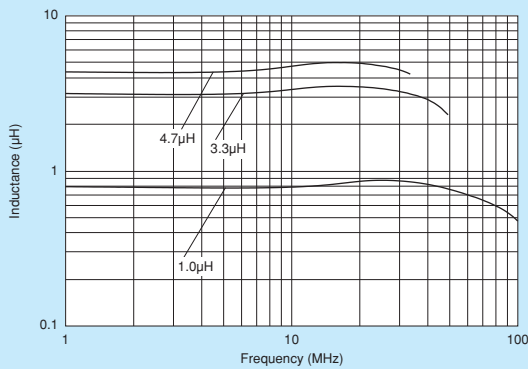
Refer to pages from p.87 to p.90 for mounting information.

■ Rated Value (□: packaging code)

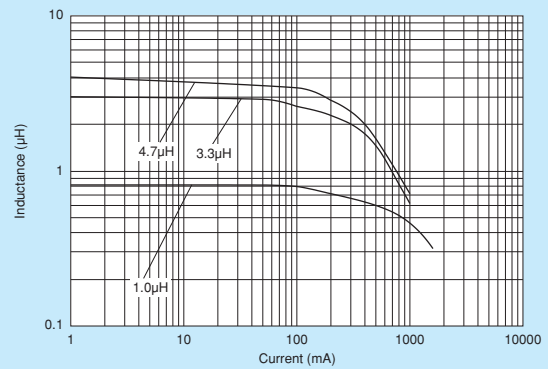
Part Number	Inductance	Rated Current	DC Resistance	Self Resonance Frequency (min.)	
LQM21PN1R0NGR□	1.0μH ±30%	1300mA	0.066ohm ±25%	50MHz	Kit
LQM21PN3R3MGR□	3.3μH ±20%	1000mA	0.150ohm ±25%	30MHz	Kit
LQM21PN3R3NGR□	3.3μH ±30%	1000mA	0.150ohm ±25%	30MHz	
LQM21PN4R7MGR□	4.7μH ±20%	800mA	0.23ohm ±25%	30MHz	Kit
LQM21PN4R7NGR□	4.7μH ±30%	800mA	0.23ohm ±25%	30MHz	

Test Frequency: 1MHz Class of Magnetic Shield: Magnetic shield of ferrite Operating Temperature Range: -55°C to +125°C

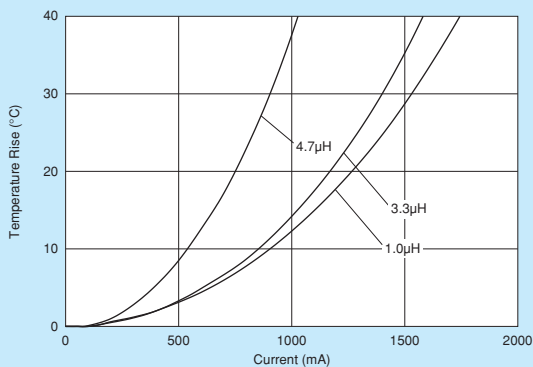
■ Inductance-Frequency Characteristics (Typ.)



■ Inductance-Current Characteristics (Typ.)



■ Temperature Rise Characteristics (Typ.)



⚠Note • Please read rating and ⚠CAUTION (for storage, operating, rating, soldering, mounting and handling) in this catalog to prevent smoking and/or burning, etc.
• This catalog has only typical specifications. Therefore, please approve our product specifications or transact the approval sheet for product specifications before ordering.

Inductor for Power Lines (Power Inductor)
Multilayer Magnetic Type for Voltage Conversion

Inductor for Low Frequency Circuits

RF Inductor

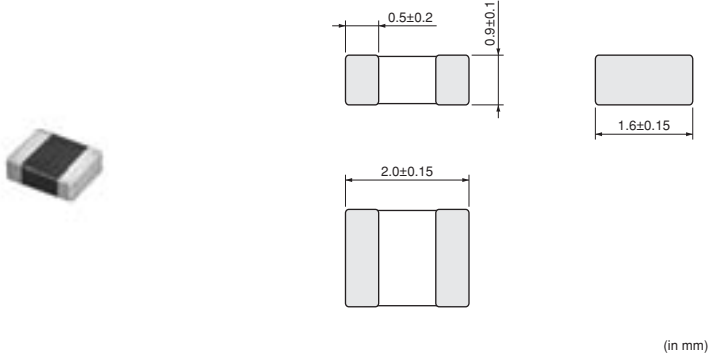
LQM2MP_G0 Series (0806 Size)

LQM2MP_G0



0806 Size, 1.0mm max. Thickness

■ Dimensions



■ Packaging

Code	Packaging	Minimum Quantity
L	180mm Embossed Tape	3000
B	Bulk(Bag)	1000

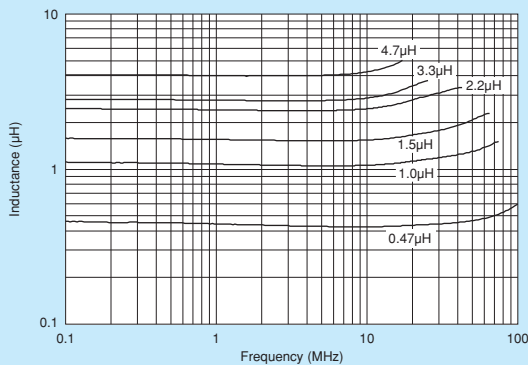
Refer to pages from p.87 to p.90 for mounting information.

■ Rated Value (□: packaging code)

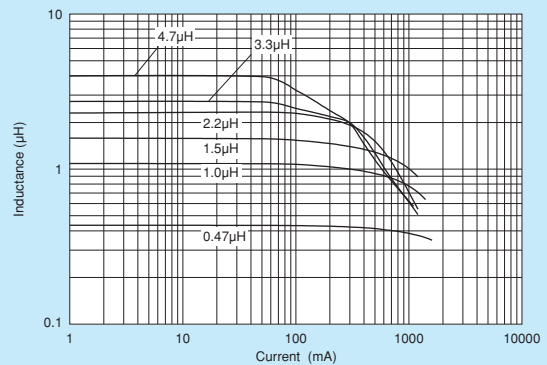
Part Number	Inductance	Rated Current	DC Resistance	Self Resonance Frequency (min.)	
LQM2MPNR47MG0□	0.47μH ±20%	1600mA	0.060ohm ±25%	100MHz	Kit
LQM2MPNR47NG0□	0.47μH ±30%	1600mA	0.060ohm ±25%	100MHz	
LQM2MPN1R0NG0□	1.0μH ±30%	1400mA	0.085ohm ±25%	60MHz	Kit
LQM2MPN1R5MG0□	1.5μH ±20%	1200mA	0.11ohm ±25%	50MHz	Kit
LQM2MPN1R5NG0□	1.5μH ±30%	1200mA	0.11ohm ±25%	50MHz	
LQM2MPN2R2MG0□	2.2μH ±20%	1200mA	0.11ohm ±25%	40MHz	Kit
LQM2MPN2R2NG0□	2.2μH ±30%	1200mA	0.11ohm ±25%	40MHz	
LQM2MPN3R3NG0□	3.3μH ±30%	1200mA	0.12ohm ±25%	30MHz	Kit
LQM2MPN4R7MG0□	4.7μH ±20%	1100mA	0.14ohm ±25%	20MHz	Kit
LQM2MPN4R7NG0□	4.7μH ±30%	1100mA	0.14ohm ±25%	20MHz	

Test Frequency: 1MHz Class of Magnetic Shield: Magnetic shield of ferrite Operating Temperature Range: -55°C to +125°C

■ Inductance-Frequency Characteristics (Typ.)



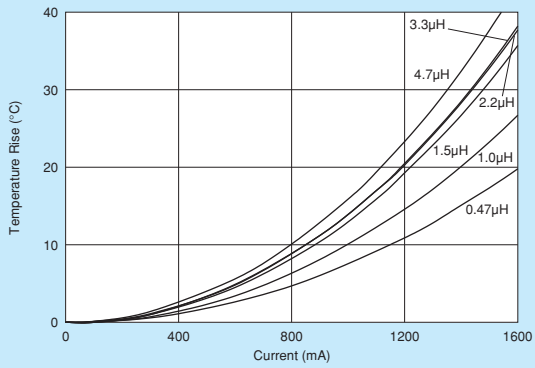
■ Inductance-Current Characteristics (Typ.)



Continued on the following page.

Note • Please read rating and CAUTION (for storage, operating, rating, soldering, mounting and handling) in this catalog to prevent smoking and/or burning, etc.
 • This catalog has only typical specifications. Therefore, please approve our product specifications or transact the approval sheet for product specifications before ordering.

Temperature Rise Characteristics (Typ.)



Note • Please read rating and CAUTION (for storage, operating, rating, soldering, mounting and handling) in this catalog to prevent smoking and/or burning, etc.
• This catalog has only typical specifications. Therefore, please approve our product specifications or transact the approval sheet for product specifications before ordering.

LQM2HP_J0 Series (1008 Size)

LQM2HP_J0

Thickness
1.2mm
max.

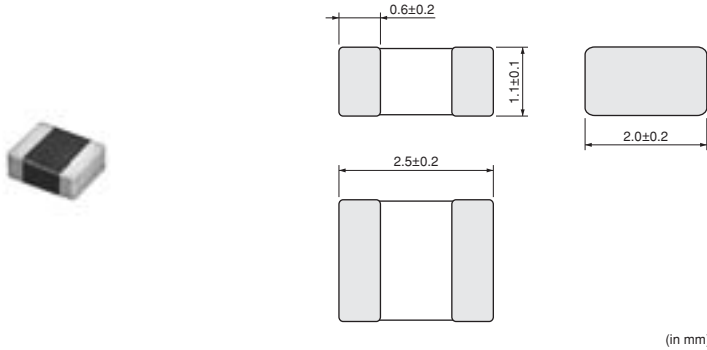
Ferrite
Core
Shield

Flow OK

Reflow
OK

1008 Size, 1.2mm max. Thickness

■ Dimensions



■ Packaging

Code	Packaging	Minimum Quantity
L	180mm Embossed Tape	3000
B	Bulk(Bag)	1000

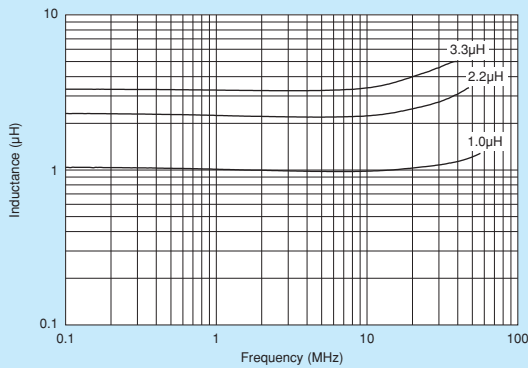
Refer to pages from p.87 to p.90 for mounting information.

■ Rated Value (□: packaging code)

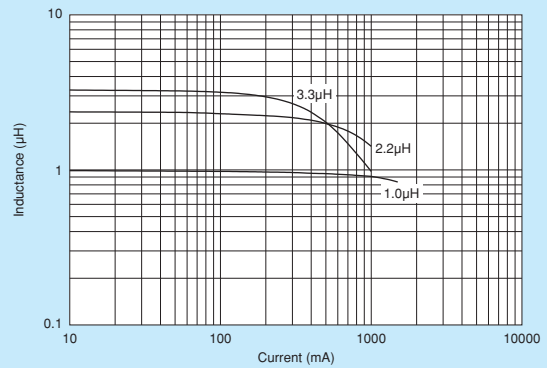
Part Number	Inductance	Rated Current	DC Resistance	Self Resonance Frequency (min.)	
LQM2HPN1R0MJ0□	1.0μH ±20%	1500mA	0.09ohm ±25%	70MHz	Kit
LQM2HPN2R2MJ0□	2.2μH ±20%	1000mA	0.12ohm ±25%	40MHz	Kit
LQM2HPN3R3MJ0□	3.3μH ±20%	1000mA	0.12ohm ±25%	30MHz	Kit

Test Frequency: 1MHz Class of Magnetic Shield: Magnetic shield of ferrite Operating Temperature Range: -55°C to +125°C

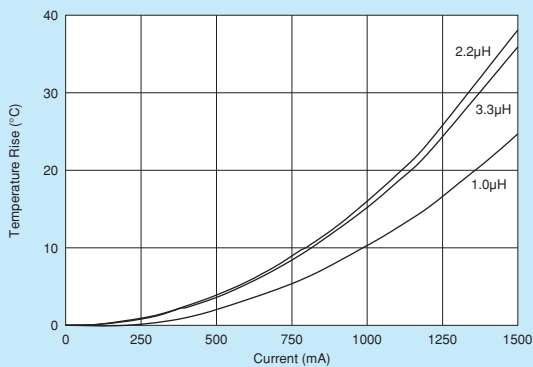
■ Inductance-Frequency Characteristics (Typ.)



■ Inductance-Current Characteristics (Typ.)



■ Temperature Rise Characteristics (Typ.)

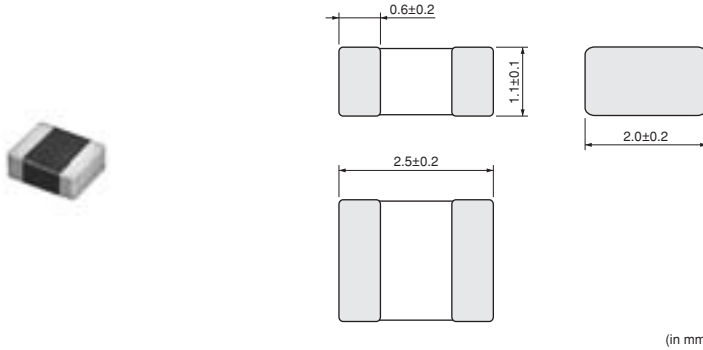


△Note • Please read rating and △CAUTION (for storage, operating, rating, soldering, mounting and handling) in this catalog to prevent smoking and/or burning, etc.
• This catalog has only typical specifications. Therefore, please approve our product specifications or transact the approval sheet for product specifications before ordering.



Bias Current Characteristics Improved

■ Dimensions



■ Packaging

Code	Packaging	Minimum Quantity
L	180mm Embossed Tape	3000
B	Bulk (Bag)	1000

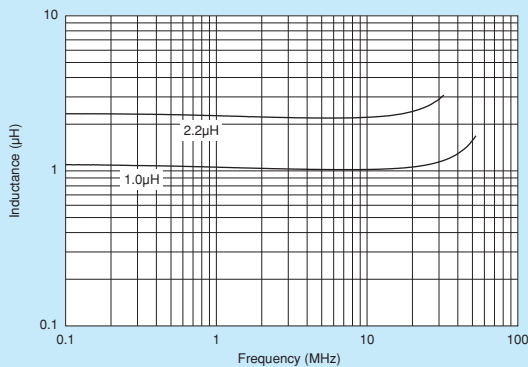
Refer to pages from p.87 to p.90 for mounting information.

■ Rated Value (□: packaging code)

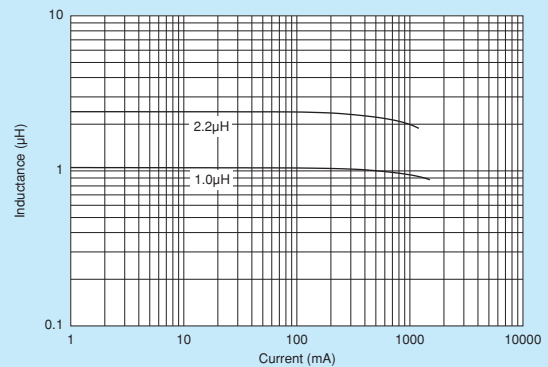
Part Number	Inductance	Rated Current	DC Resistance	Self Resonance Frequency (min.)	
LQM2HPN1R0MJC□	1.0μH ±20%	1500mA	0.086ohm ±25%	50MHz	Kit
LQM2HPN2R2NJC□	2.2μH ±30%	1000mA	0.175ohm ±25%	30MHz	Kit

Test Frequency: 1MHz Class of Magnetic Shield: Magnetic shield of ferrite Operating Temperature Range: -55°C to +125°C

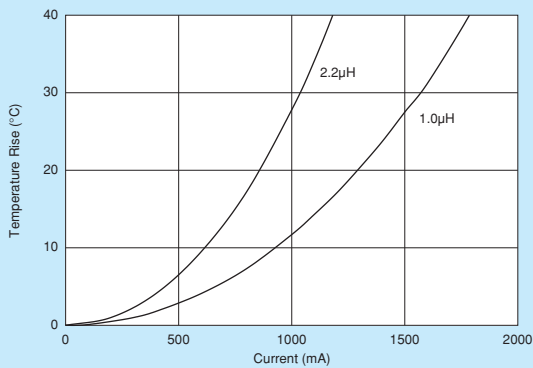
■ Inductance-Frequency Characteristics (Typ.)



■ Inductance-Current Characteristics (Typ.)



■ Temperature Rise Characteristics (Typ.)



△Note • Please read rating and △CAUTION (for storage, operating, rating, soldering, mounting and handling) in this catalog to prevent smoking and/or burning, etc.
• This catalog has only typical specifications. Therefore, please approve our product specifications or transact the approval sheet for product specifications before ordering.

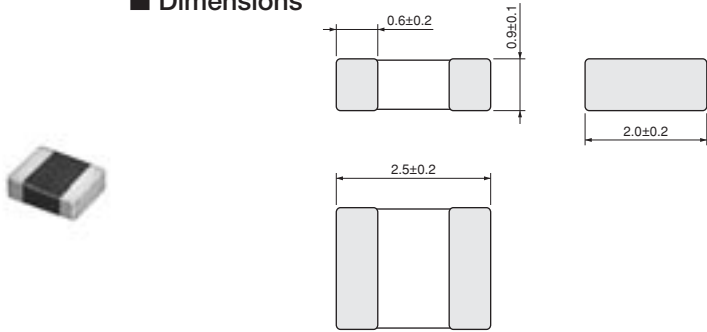
LQM2HP_G0 Series (1008 Size)

LQM2HP_G0



1008 Size, 1.0mm max. Thickness

■ Dimensions



■ Packaging

Code	Packaging	Minimum Quantity
L	180mm Embossed Tape	3000
B	Bulk(Bag)	1000

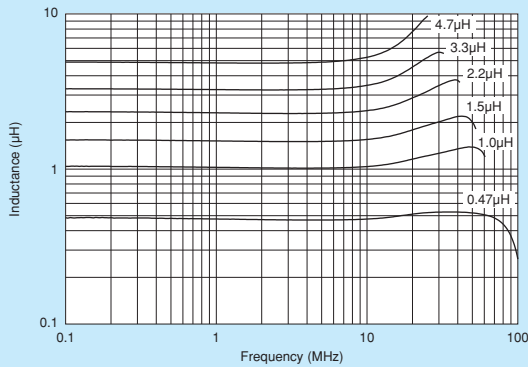
Refer to pages from p.87 to p.90 for mounting information.

■ Rated Value (□: packaging code)

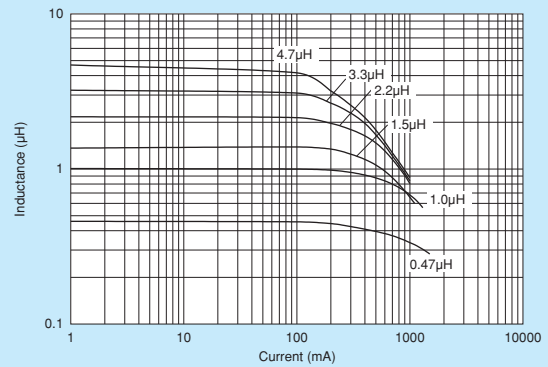
Part Number	Inductance	Rated Current	DC Resistance	Self Resonance Frequency (min.)	
LQM2HPNR47MG0□	0.47 μ H \pm 20%	1800mA	0.04ohm \pm 25%	100MHz	Kit
LQM2HPN1R0MG0□	1.0 μ H \pm 20%	1600mA	0.055ohm \pm 25%	60MHz	Kit
LQM2HPN1R5MG0□	1.5 μ H \pm 20%	1500mA	0.07ohm \pm 25%	50MHz	Kit
LQM2HPN2R2MG0□	2.2 μ H \pm 20%	1300mA	0.08ohm \pm 25%	40MHz	Kit
LQM2HPN3R3MG0□	3.3 μ H \pm 20%	1200mA	0.10ohm \pm 25%	30MHz	Kit
LQM2HPN4R7MG0□	4.7 μ H \pm 20%	1100mA	0.11ohm \pm 25%	25MHz	Kit

Test Frequency: 1MHz Class of Magnetic Shield: Magnetic shield of ferrite Operating Temperature Range: -55°C to +125°C

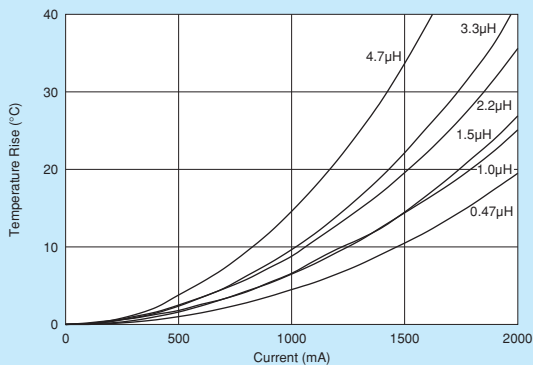
■ Inductance-Frequency Characteristics (Typ.)



■ Inductance-Current Characteristics (Typ.)



■ Temperature Rise Characteristics (Typ.)

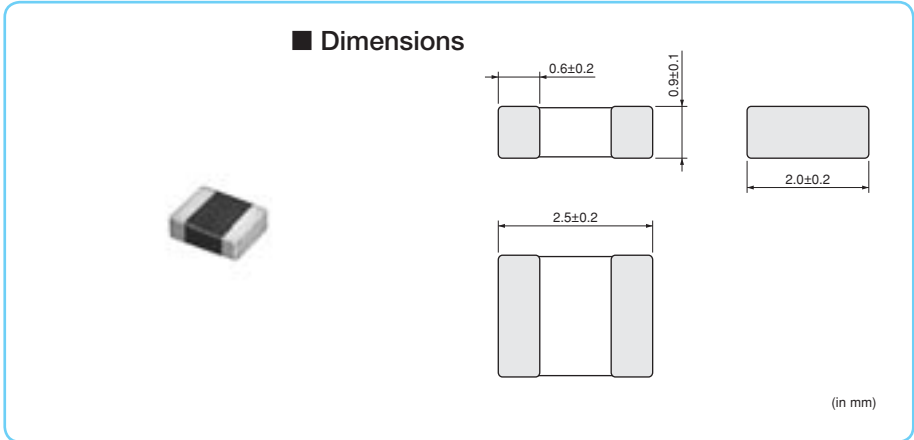


⚠Note • Please read rating and ⚠CAUTION (for storage, operating, rating, soldering, mounting and handling) in this catalog to prevent smoking and/or burning, etc.
 • This catalog has only typical specifications. Therefore, please approve our product specifications or transact the approval sheet for product specifications before ordering.



1008 Size, 1.0mm max. Thickness

Inductor for Power Lines (Power Inductor)
Multilayer Magnetic Type for Voltage Conversion



■ Packaging

Code	Packaging	Minimum Quantity
L	180mm Embossed Tape	3000
B	Bulk(Bag)	1000

Refer to pages from p.87 to p.90 for mounting information.

■ Rated Value (□: packaging code)

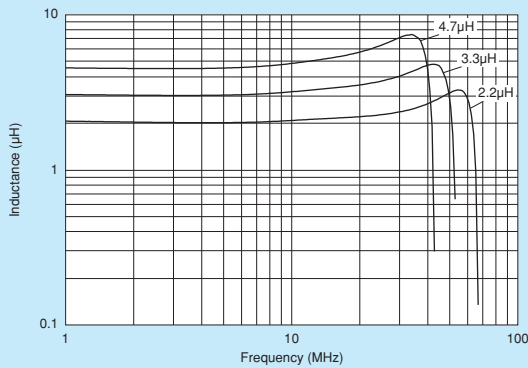
Part Number	Inductance	Rated Current	DC Resistance	Self Resonance Frequency (min.)	
LQM2HPN2R2MGS□	2.2μH ±20%	1100mA	0.18ohm ±25%	40MHz	New Kit
LQM2HPN3R3MGS□	3.3μH ±20%	1050mA	0.21ohm ±25%	20MHz	New Kit
LQM2HPN4R7MGS□	4.7μH ±20%	1000mA	0.25ohm ±25%	20MHz	New Kit

Test Frequency: 1MHz Class of Magnetic Shield: Magnetic shield of ferrite Operating Temperature Range: -40°C to +85°C

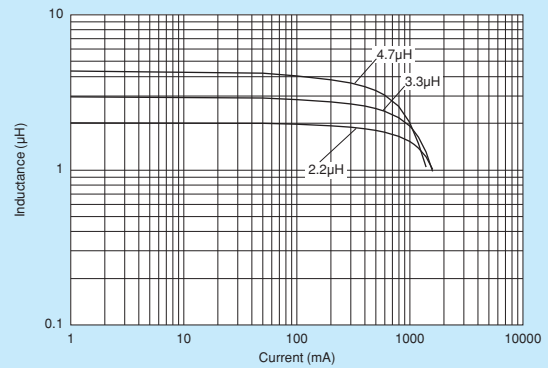
Inductor for Low Frequency Circuits

RF Inductor

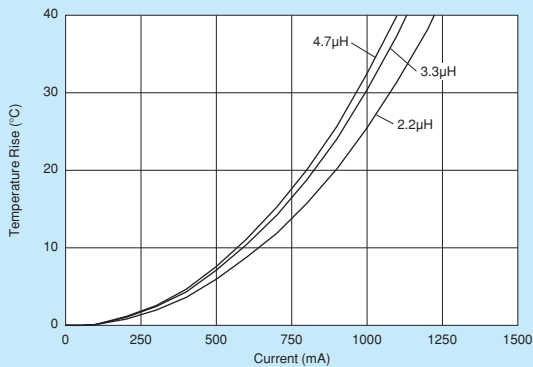
■ Inductance-Frequency Characteristics (Typ.)



■ Inductance-Current Characteristics (Typ.)



■ Temperature Rise Characteristics (Typ.)

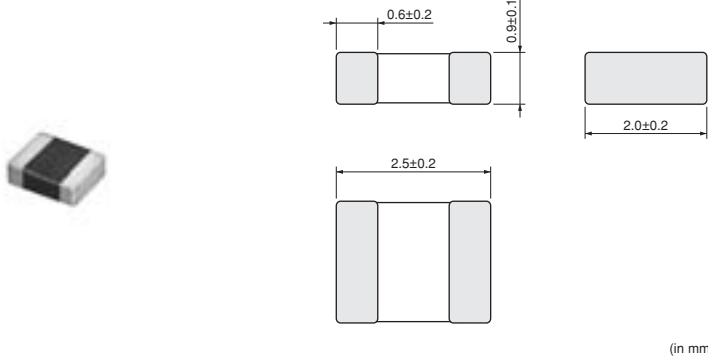


△Note • Please read rating and △CAUTION (for storage, operating, rating, soldering, mounting and handling) in this catalog to prevent smoking and/or burning, etc.
• This catalog has only typical specifications. Therefore, please approve our product specifications or transact the approval sheet for product specifications before ordering.



Bias Current Characteristics Improved

■ Dimensions



■ Packaging

Code	Packaging	Minimum Quantity
L	180mm Embossed Tape	3000
B	Bulk(Bag)	1000

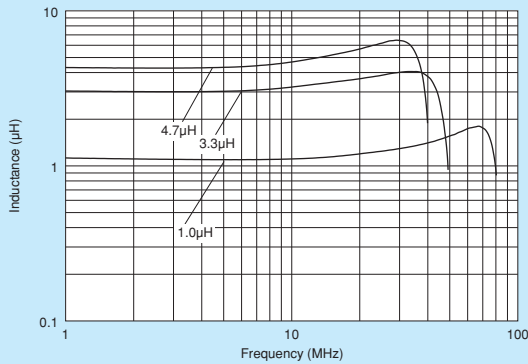
Refer to pages from p.87 to p.90 for mounting information.

■ Rated Value (□: packaging code)

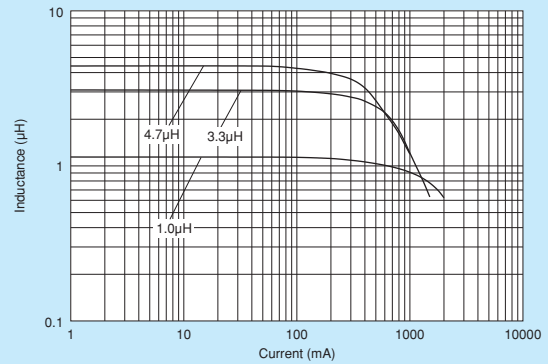
Part Number	Inductance	Rated Current	DC Resistance	Self Resonance Frequency (min.)	Operating Temperature Range	
LQM2HPN1R0MGC□	1.0μH ±20%	1500mA	0.08ohm ±25%	50MHz	-30°C to +85°C	Kit
LQM2HPN3R3MGC□	3.3μH ±20%	1000mA	0.16ohm ±25%	30MHz	-55°C to +125°C	Kit
LQM2HPN4R7MGC□	4.7μH ±20%	800mA	0.18ohm ±25%	25MHz	-55°C to +125°C	Kit

Test Frequency: 1MHz Class of Magnetic Shield: Magnetic shield of ferrite

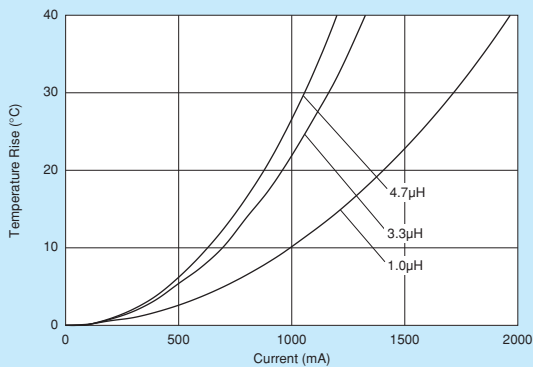
■ Inductance-Frequency Characteristics (Typ.)



■ Inductance-Current Characteristics (Typ.)



■ Temperature Rise Characteristics (Typ.)



⚠Note • Please read rating and ⚠CAUTION (for storage, operating, rating, soldering, mounting and handling) in this catalog to prevent smoking and/or burning, etc.
• This catalog has only typical specifications. Therefore, please approve our product specifications or transact the approval sheet for product specifications before ordering.

LQM2HP_E0 Series (1008 Size)

LQM2HP_E0

Thickness
0.8mm
max.

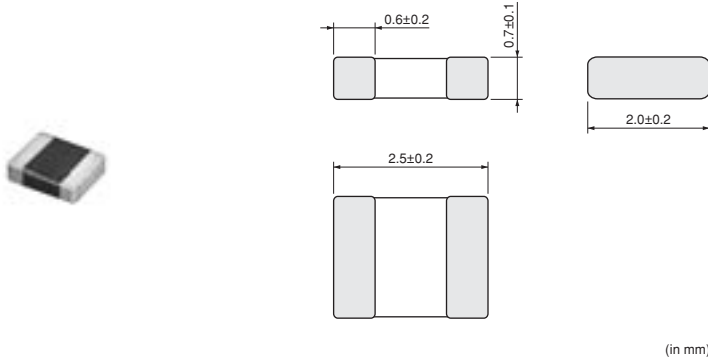
Ferrite
Core
Shield

Flow OK

Reflow
OK

1008 Size, 0.8mm max. Thickness

■ Dimensions



■ Packaging

Code	Packaging	Minimum Quantity
L	180mm Embossed Tape	3000
B	Bulk(Bag)	1000

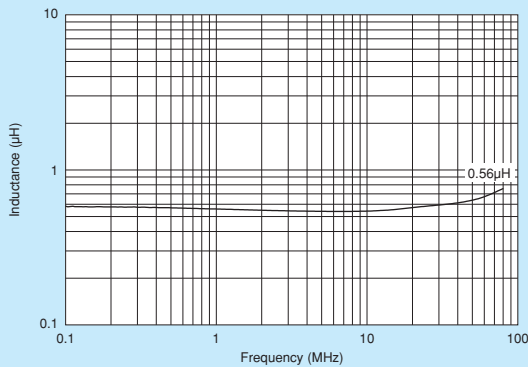
Refer to pages from p.87 to p.90 for mounting information.

■ Rated Value (□: packaging code)

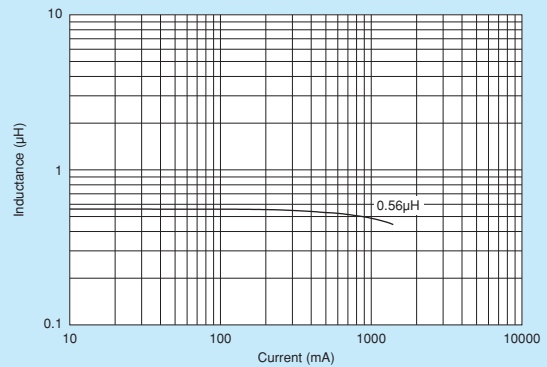
Part Number	Inductance	Rated Current	DC Resistance	Self Resonance Frequency (min.)	
LQM2HPNR56ME0□	0.56μH ±20%	1500mA	0.06ohm ±25%	70MHz	Kit

Test Frequency: 1MHz Class of Magnetic Shield: Magnetic shield of ferrite Operating Temperature Range: -55°C to +125°C

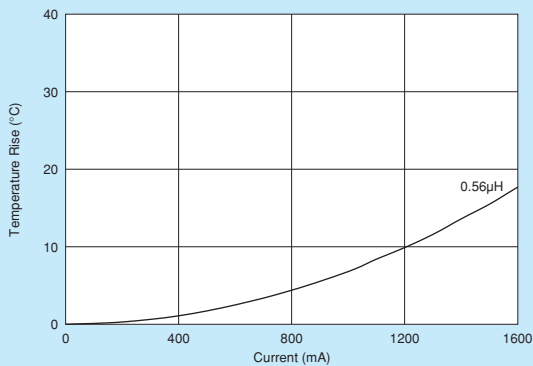
■ Inductance-Frequency Characteristics (Typ.)



■ Inductance-Current Characteristics (Typ.)



■ Temperature Rise Characteristics (Typ.)



△Note • Please read rating and △CAUTION (for storage, operating, rating, soldering, mounting and handling) in this catalog to prevent smoking and/or burning, etc.
• This catalog has only typical specifications. Therefore, please approve our product specifications or transact the approval sheet for product specifications before ordering.

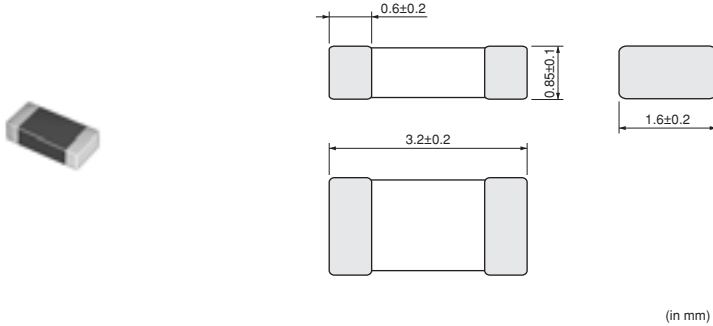
LQM31P_00 Series (1206 Size)

LQM31P_00



1206 Size 0.95mm max. Thickness

■ Dimensions



■ Packaging

Code	Packaging	Minimum Quantity
L	180mm Embossed Tape	3000
B	Bulk(Bag)	1000

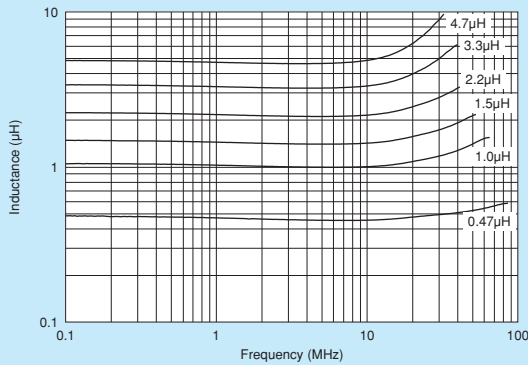
Refer to pages from p.87 to p.90 for mounting information.

■ Rated Value (□: packaging code)

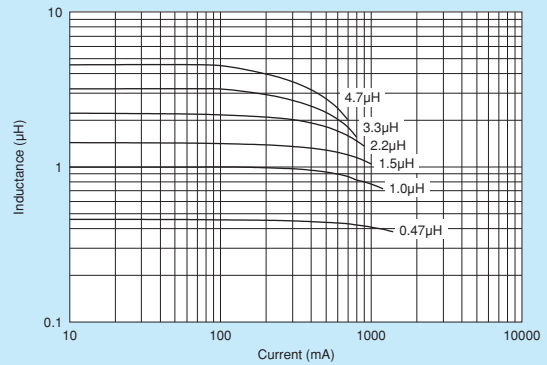
Part Number	Inductance	Rated Current	DC Resistance	Self Resonance Frequency (min.)	
LQM31PNR47M00□	0.47μH ±20%	1400mA	0.07ohm ±25%	80MHz	Kit
LQM31PN1R0M00□	1.0μH ±20%	1200mA	0.12ohm ±25%	60MHz	Kit
LQM31PN1R5M00□	1.5μH ±20%	1000mA	0.14ohm ±25%	50MHz	Kit
LQM31PN2R2M00□	2.2μH ±20%	900mA	0.19ohm ±25%	40MHz	Kit
LQM31PN3R3M00□	3.3μH ±20%	800mA	0.24ohm ±25%	30MHz	Kit
LQM31PN4R7M00□	4.7μH ±20%	700mA	0.30ohm ±25%	25MHz	Kit

Test Frequency: 1MHz Class of Magnetic Shield: Magnetic shield of ferrite Operating Temperature Range: -55°C to +125°C

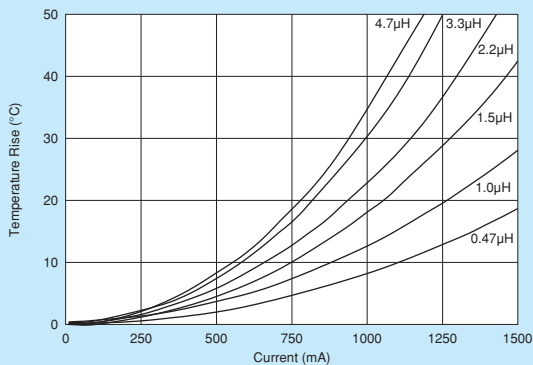
■ Inductance-Frequency Characteristics (Typ.)



■ Inductance-Current Characteristics (Typ.)



■ Temperature Rise Characteristics (Typ.)



△Note • Please read rating and △CAUTION (for storage, operating, rating, soldering, mounting and handling) in this catalog to prevent smoking and/or burning, etc.
• This catalog has only typical specifications. Therefore, please approve our product specifications or transact the approval sheet for product specifications before ordering.

LQM31P_C0 Series (1206 Size)

LQM31P_C0

Thickness
0.55mm
max.

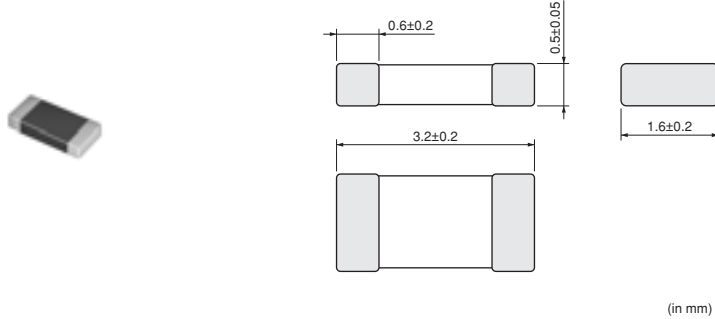
Ferrite
Core
Shield

Flow OK

Reflow
OK

1206 Size 0.55mm max. Thickness

■ Dimensions



■ Packaging

Code	Packaging	Minimum Quantity
L	180mm Embossed Tape	4000
B	Bulk(Bag)	1000

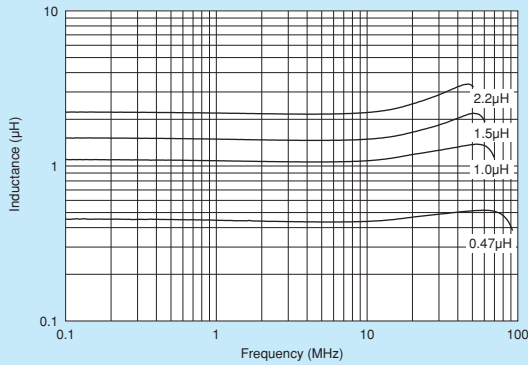
Refer to pages from p.87 to p.90 for mounting information.

■ Rated Value (□: packaging code)

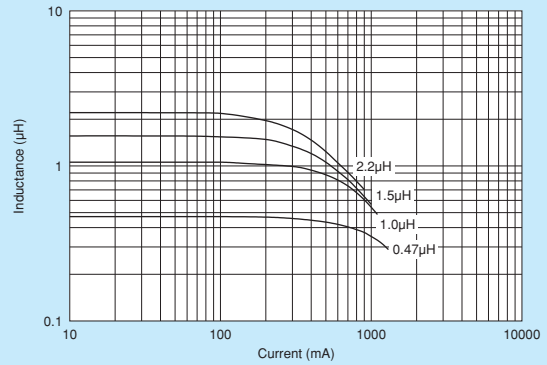
Part Number	Inductance	Rated Current	DC Resistance	Self Resonance Frequency (min.)	
LQM31PNR47MC0□	0.47μH ±20%	1300mA	0.085ohm ±25%	90MHz	Kit
LQM31PN1R0MC0□	1.0μH ±20%	1100mA	0.14ohm ±25%	70MHz	Kit
LQM31PN1R5MC0□	1.5μH ±20%	1000mA	0.17ohm ±25%	60MHz	Kit
LQM31PN2R2MC0□	2.2μH ±20%	900mA	0.25ohm ±25%	50MHz	Kit

Test Frequency: 1MHz Class of Magnetic Shield: Magnetic shield of ferrite Operating Temperature Range: -55°C to +125°C

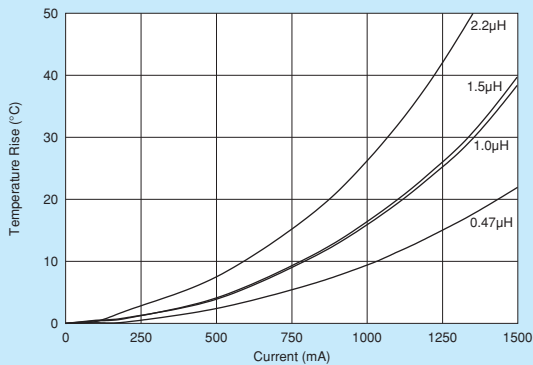
■ Inductance-Frequency Characteristics (Typ.)



■ Inductance-Current Characteristics (Typ.)



■ Temperature Rise Characteristics (Typ.)



⚠Note • Please read rating and ⚠CAUTION (for storage, operating, rating, soldering, mounting and handling) in this catalog to prevent smoking and/or burning, etc.
• This catalog has only typical specifications. Therefore, please approve our product specifications or transact the approval sheet for product specifications before ordering.

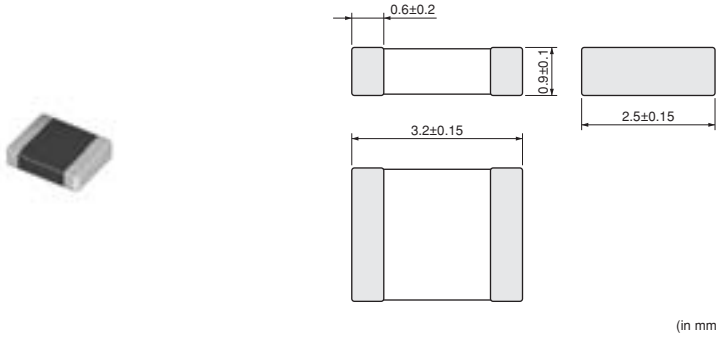
LQM32P_G0 Series (1210 Size)

LQM32P_G0



1210 Size, 1.0mm max. Thickness

■ Dimensions



■ Packaging

Code	Packaging	Minimum Quantity
L	180mm Embossed Tape	3000
B	Bulk(Bag)	1000

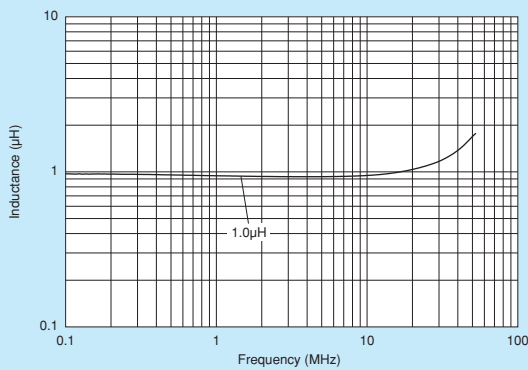
Refer to pages from p.87 to p.90 for mounting information.

■ Rated Value (□: packaging code)

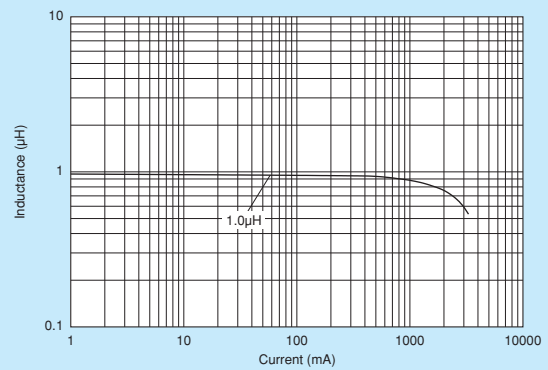
Part Number	Inductance	Rated Current	DC Resistance	Self Resonance Frequency (min.)	
LQM32PN1R0MG0□	1.0μH ±20%	1800mA	0.048ohm ±25%	40MHz	Kit

Test Frequency: 1MHz Class of Magnetic Shield: Magnetic shield of ferrite Operating Temperature Range: -40°C to +85°C Only for reflow soldering.

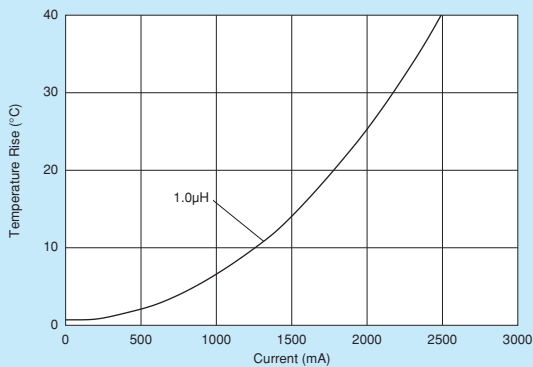
■ Inductance-Frequency Characteristics (Typ.)



■ Inductance-Current Characteristics (Typ.)



■ Temperature Rise Characteristics (Typ.)

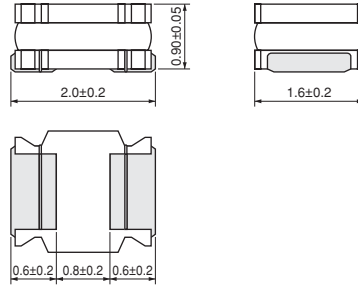


△Note • Please read rating and △CAUTION (for storage, operating, rating, soldering, mounting and handling) in this catalog to prevent smoking and/or burning, etc.
• This catalog has only typical specifications. Therefore, please approve our product specifications or transact the approval sheet for product specifications before ordering.



0806 Size, 0.95mm max. Thickness

■ Dimensions



(in mm)

■ Packaging

Code	Packaging	Minimum Quantity
L	180mm Embossed Tape	3000
B	Bulk(Bag)	100

Refer to pages from p.87 to p.90 for mounting information.

■ Rated Value (□: packaging code)

Part Number	Inductance	Rated Current (Based on Inductance Change)	Rated Current ^{*1} (Based on Temperature Rise)	DC Resistance	Self Resonance Frequency (min.)	
LQH2MCN1R0M02□	1.0μH ±20%	-	485mA	0.30ohm ±30%	100MHz	Kit
LQH2MCN1R5M02□	1.5μH ±20%	-	445mA	0.40ohm ±30%	95MHz	Kit
LQH2MCN2R2M02□	2.2μH ±20%	-	425mA	0.48ohm ±30%	70MHz	Kit
LQH2MCN3R3M02□	3.3μH ±20%	-	375mA	0.60ohm ±30%	65MHz	Kit
LQH2MCN4R7M02□	4.7μH ±20%	-	300mA	0.8ohm ±30%	60MHz	Kit
LQH2MCN5R6M02□	5.6μH ±20%	-	280mA	0.9ohm ±30%	60MHz	Kit
LQH2MCN6R8M02□	6.8μH ±20%	-	255mA	1.0ohm ±30%	55MHz	Kit
LQH2MCN8R2M02□	8.2μH ±20%	-	235mA	1.1ohm ±30%	50MHz	Kit
LQH2MCN100K02□	10μH ±10%	-	225mA	1.2ohm ±30%	48MHz	Kit
LQH2MCN120K02□	12μH ±10%	-	210mA	1.4ohm ±30%	44MHz	Kit
LQH2MCN150K02□	15μH ±10%	-	200mA	1.6ohm ±30%	40MHz	Kit
LQH2MCN180K02□	18μH ±10%	-	190mA	1.8ohm ±30%	35MHz	Kit
LQH2MCN220K02□	22μH ±10%	-	185mA	2.1ohm ±30%	30MHz	Kit
LQH2MCN270K02□	27μH ±10%	-	180mA	2.5ohm ±30%	30MHz	Kit
LQH2MCN330K02□	33μH ±10%	-	160mA	2.8ohm ±30%	28MHz	Kit
LQH2MCN390K02□	39μH ±10%	-	125mA	4.4ohm ±30%	24MHz	Kit
LQH2MCN470K02□	47μH ±10%	-	120mA	5.1ohm ±30%	18MHz	Kit
LQH2MCN560K02□	56μH ±10%	-	110mA	5.7ohm ±30%	17MHz	Kit
LQH2MCN680K02□	68μH ±10%	-	100mA	6.6ohm ±30%	14MHz	Kit
LQH2MCN820K02□	82μH ±10%	-	90mA	7.5ohm ±30%	14MHz	Kit

Test Frequency: 1MHz Class of Magnetic Shield: No magnetic shield

Operating Temperature Range (Self-temperature rise is not included): -40°C to +85°C

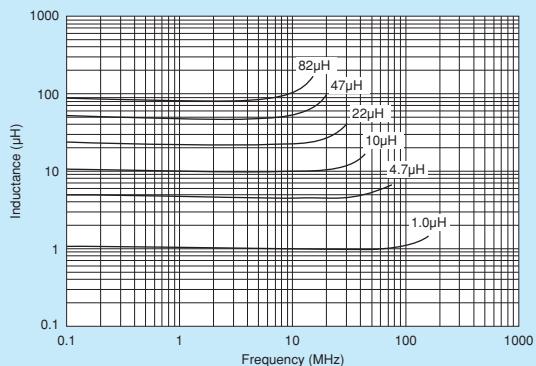
Only for reflow soldering.

*1 When Rated Current is applied to the Products, self-generation of heat will rise to 40°C or less.

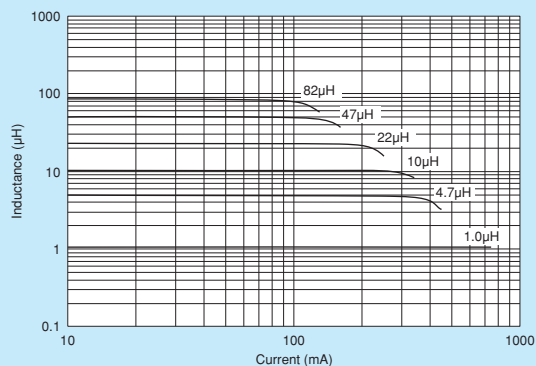
Continued on the following page. ↗

△Note • Please read rating and △CAUTION (for storage, operating, rating, soldering, mounting and handling) in this catalog to prevent smoking and/or burning, etc.
• This catalog has only typical specifications. Therefore, please approve our product specifications or transact the approval sheet for product specifications before ordering.

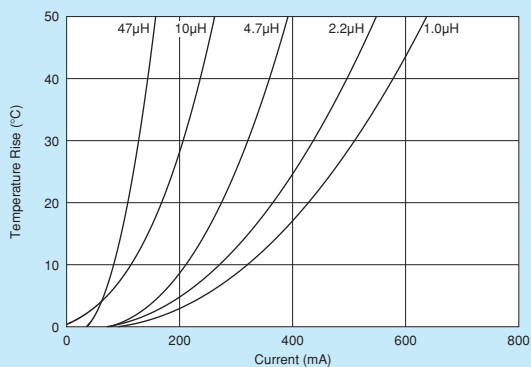
■ Inductance-Frequency Characteristics (Typ.)



■ Inductance-Current Characteristics (Typ.)



■ Temperature Rise Characteristics (Typ.)



Wire Wound Magnetic Type for Voltage Conversion Inductor for Power Lines (Power Inductor)

Inductor for Low Frequency Circuits

RF Inductor

⚠Note • Please read rating and ⚠CAUTION (for storage, operating, rating, soldering, mounting and handling) in this catalog to prevent smoking and/or burning, etc.
 • This catalog has only typical specifications. Therefore, please approve our product specifications or transact the approval sheet for product specifications before ordering.

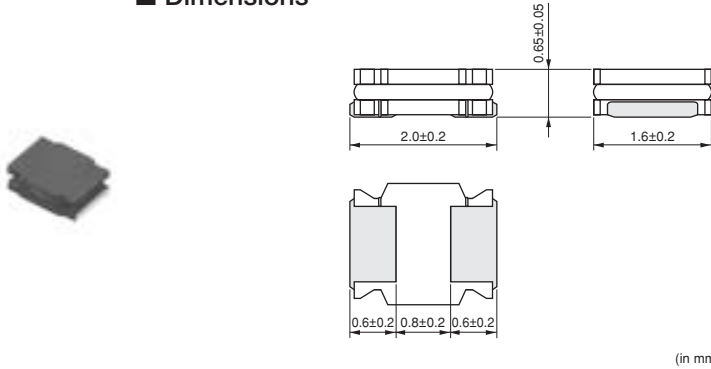
LQH2MC_52 Series (0806 Size)

LQH2MC_52



0806 Size, 0.7mm max. Thickness

■ Dimensions



■ Packaging

Code	Packaging	Minimum Quantity
L	180mm Embossed Tape	3000
B	Bulk(Bag)	100

Refer to pages from p.87 to p.90 for mounting information.

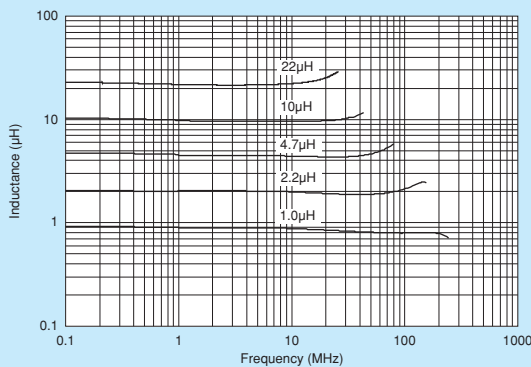
■ Rated Value (□: packaging code)

Part Number	Inductance	Rated Current (Based on Inductance Change)	Rated Current ^{*1} (Based on Temperature Rise)	DC Resistance	Self Resonance Frequency (min.)	
LQH2MCN1R0M52□	1.0μH ±20%	-	595mA	0.25ohm ±30%	215MHz	Kit
LQH2MCN1R5M52□	1.5μH ±20%	-	540mA	0.33ohm ±30%	165MHz	Kit
LQH2MCN2R2M52□	2.2μH ±20%	-	500mA	0.42ohm ±30%	125MHz	Kit
LQH2MCN3R3M52□	3.3μH ±20%	-	360mA	0.74ohm ±30%	110MHz	Kit
LQH2MCN4R7M52□	4.7μH ±20%	-	335mA	0.91ohm ±30%	90MHz	Kit
LQH2MCN6R8M52□	6.8μH ±20%	-	285mA	1.23ohm ±30%	65MHz	Kit
LQH2MCN100M52□	10μH ±20%	-	200mA	2.27ohm ±30%	60MHz	Kit
LQH2MCN120M52□	12μH ±20%	-	170mA	2.4ohm ±30%	30MHz	Kit
LQH2MCN150M52□	15μH ±20%	-	150mA	3.5ohm ±30%	30MHz	Kit
LQH2MCN180M52□	18μH ±20%	-	140mA	4ohm ±30%	30MHz	Kit
LQH2MCN220M52□	22μH ±20%	-	130mA	5.5ohm ±30%	30MHz	Kit

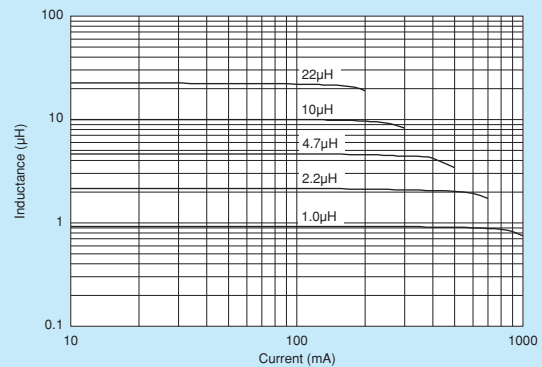
Test Frequency: 1MHz Class of Magnetic Shield: No magnetic shield
 Operating Temperature Range (Self-temperature rise is not included): -40°C to +85°C
 Only for reflow soldering.

*1 When Rated Current is applied to the Products, self-generation of heat will rise to 40°C or less.

■ Inductance-Frequency Characteristics (Typ.)



■ Inductance-Current Characteristics (Typ.)



Continued on the following page.

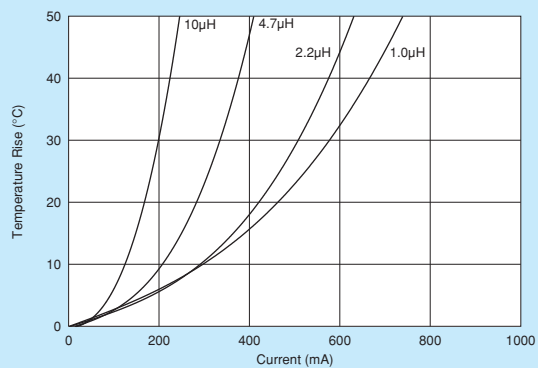
⚠Note • Please read rating and ⚠CAUTION (for storage, operating, rating, soldering, mounting and handling) in this catalog to prevent smoking and/or burning, etc.
 • This catalog has only typical specifications. Therefore, please approve our product specifications or transact the approval sheet for product specifications before ordering.

Inductor for Power Lines (Power Inductor)
 Wire Wound Magnetic Type for Voltage Conversion

Inductor for Low Frequency Circuits

RF Inductor

■ Temperature Rise Characteristics (Typ.)



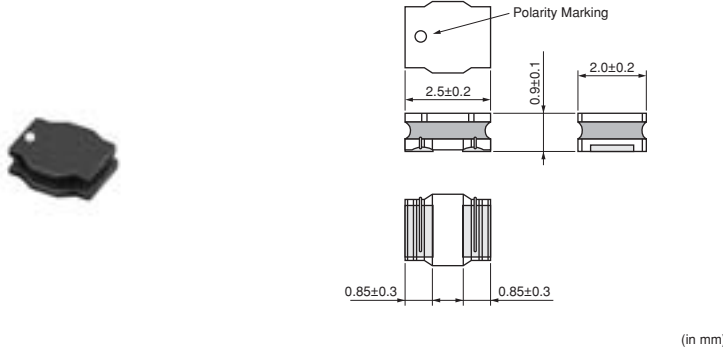
LQH2HP_G0 Series (1008 Size)

LQH2HP_G0



1008 Size, 1.0mm max. Thickness

■ Dimensions



■ Packaging

Code	Packaging	Minimum Quantity
L	180mm Embossed Tape	3000

Refer to pages from p.87 to p.90 for mounting information.

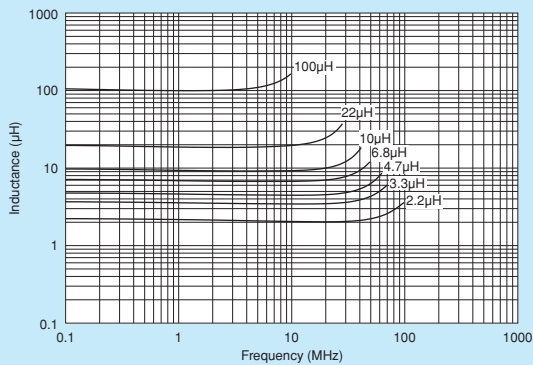
■ Rated Value (□: packaging code)

Part Number	Inductance	Rated Current ^{*1} (Based on Inductance Change)	Rated Current ^{*2} (Based on Temperature Rise)	DC Resistance	Self Resonance Frequency (min.)	
LQH2HPN2R2MG0□	2.2μH ±20%	1640mA	1000mA	0.17ohm ±20%	80MHz	Kit
LQH2HPN3R3MG0□	3.3μH ±20%	1290mA	810mA	0.27ohm ±20%	65MHz	Kit
LQH2HPN4R7MG0□	4.7μH ±20%	1000mA	700mA	0.36ohm ±20%	60MHz	Kit
LQH2HPN6R8MG0□	6.8μH ±20%	800mA	590mA	0.5ohm ±20%	10MHz	Kit
LQH2HPN100MG0□	10μH ±20%	700mA	490mA	0.73ohm ±20%	10MHz	Kit
LQH2HPN220MG0□	22μH ±20%	490mA	340mA	1.6ohm ±20%	10MHz	Kit
LQH2HPN101MG0□	100μH ±20%	210mA	130mA	10ohm ±20%	5MHz	Kit

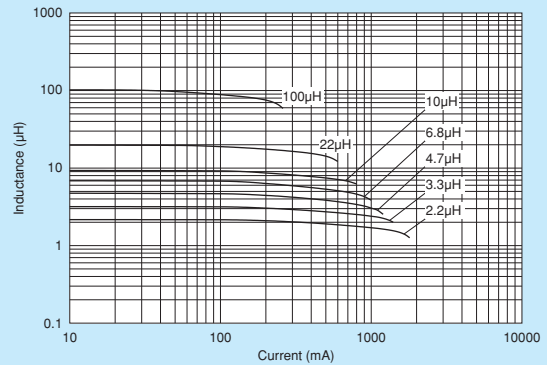
Test Frequency: 1MHz Class of Magnetic Shield: Magnetic shield of magnetic powder in resin
 Operating Temperature Range (Self-temperature rise is not included): -40°C to +85°C
 Only for reflow soldering.

*1 Inductance will be more than the value which is 30% down from minimum rated Inductance value.
 *2 When Rated Current is applied to the Products, self-generation of heat will rise to 40°C or less.

■ Inductance-Frequency Characteristics (Typ.)



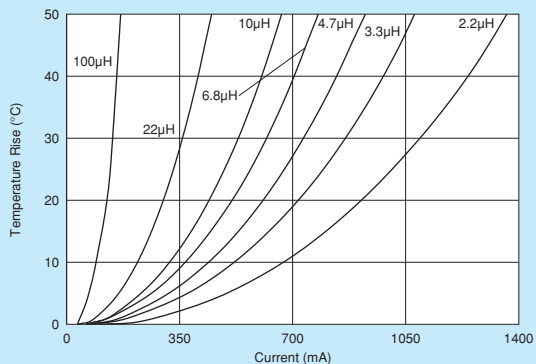
■ Inductance-Current Characteristics (Typ.)



Continued on the following page.

△Note • Please read rating and △CAUTION (for storage, operating, rating, soldering, mounting and handling) in this catalog to prevent smoking and/or burning, etc.
 • This catalog has only typical specifications. Therefore, please approve our product specifications or transact the approval sheet for product specifications before ordering.

■ Temperature Rise Characteristics (Typ.)



Wire Wound Magnetic Type for Voltage Conversion Inductor for Power Lines (Power Inductor)

Inductor for Low Frequency Circuits

RF Inductor

Note • Please read rating and CAUTION (for storage, operating, rating, soldering, mounting and handling) in this catalog to prevent smoking and/or burning, etc.
 • This catalog has only typical specifications. Therefore, please approve our product specifications or transact the approval sheet for product specifications before ordering.

LQH2HP_J0 Series (1008 Size)

LQH2HP_J0

Thickness
1.2mm
max.

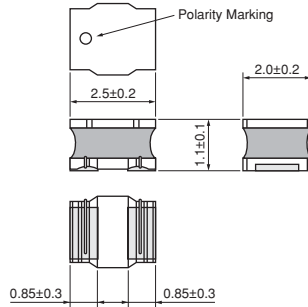
Magnetic Resin
Shield

Reflow
OK

New

1008 Size, 1.2mm max. Thickness

■ Dimensions



(in mm)

■ Packaging

Code	Packaging	Minimum Quantity
L	180mm Embossed Tape	2000

Refer to pages from p.87 to p.90 for mounting information.

■ Rated Value (□: packaging code)

Part Number	Inductance	Rated Current ^{*1} (Based on Inductance Change)	Rated Current ^{*2} (Based on Temperature Rise)	DC Resistance	Self Resonance Frequency (min.)	
LQH2HPN1R5NJ0□	1.5μH ±30%	2400mA	1500mA	0.096ohm ±20%	10MHz	New Kit
LQH2HPN2R2MJ0□	2.2μH ±20%	1800mA	1300mA	0.132ohm ±20%	10MHz	New Kit
LQH2HPN3R3MJ0□	3.3μH ±20%	1500mA	950mA	0.230ohm ±20%	10MHz	New Kit
LQH2HPN4R7MJ0□	4.7μH ±20%	1250mA	700mA	0.330ohm ±20%	10MHz	New Kit
LQH2HPN6R8MJ0□	6.8μH ±20%	1100mA	600mA	0.448ohm ±20%	10MHz	New Kit
LQH2HPN100MJ0□	10μH ±20%	820mA	550mA	0.641ohm ±20%	10MHz	New Kit

Test Frequency: 1MHz Class of Magnetic Shield: Magnetic shield of magnetic powder in resin

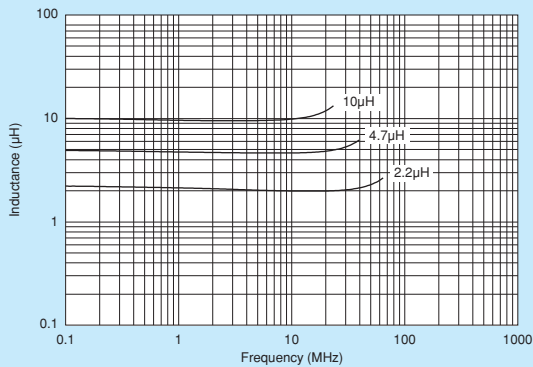
Operating Temperature Range (Self-temperature rise is not included): -40°C to +85°C

Only for reflow soldering.

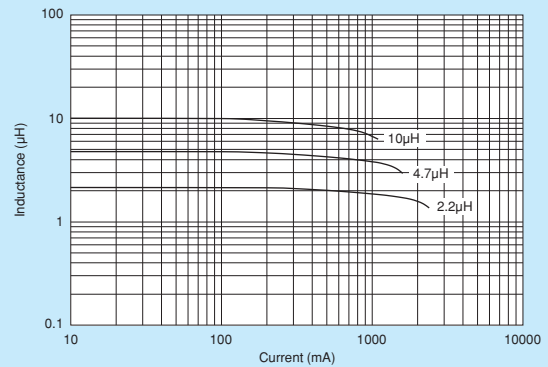
*1 Inductance will be more than the value which is 30% down from minimum rated Inductance value.

*2 When Rated Current is applied to the Products, self-generation of heat will rise to 40°C or less.

■ Inductance-Frequency Characteristics (Typ.)



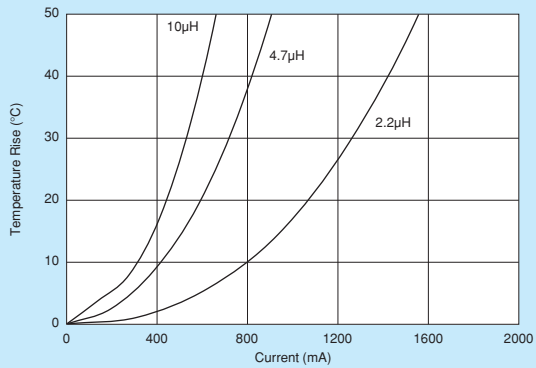
■ Inductance-Current Characteristics (Typ.)



Continued on the following page.

[△]Note • Please read rating and [△]CAUTION (for storage, operating, rating, soldering, mounting and handling) in this catalog to prevent smoking and/or burning, etc.
• This catalog has only typical specifications. Therefore, please approve our product specifications or transact the approval sheet for product specifications before ordering.

■ Temperature Rise Characteristics (Typ.)



⚠Note • Please read rating and ⚠CAUTION (for storage, operating, rating, soldering, mounting and handling) in this catalog to prevent smoking and/or burning, etc.
• This catalog has only typical specifications. Therefore, please approve our product specifications or transact the approval sheet for product specifications before ordering.

LQH2HP_M0 Series (1008 Size)

Thickness
1.5mm
max.

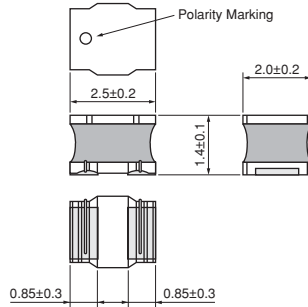
Magnetic
Resin
Shield

Reflow
OK

New

1008 Size, 1.5mm max. Thickness

■ Dimensions



(in mm)

■ Packaging

Code	Packaging	Minimum Quantity
L	180mm Embossed Tape	2000

Refer to pages from p.87 to p.90 for mounting information.

■ Rated Value (□: packaging code)

Part Number	Inductance	Rated Current (Based on Inductance Change) *1	Rated Current (Based on Temperature Rise) *2	DC Resistance	Self Resonance Frequency (min.)	
LQH2HPN2R2MM0□	2.2μH ±20%	1700mA	1250mA	0.146ohm ±20%	10MHz	New Kit
LQH2HPN4R7NM0□	4.7μH ±30%	1200mA	800mA	0.342ohm ±20%	10MHz	New Kit

Test Frequency: 1MHz Class of Magnetic Shield: Magnetic shield of magnetic powder in resin

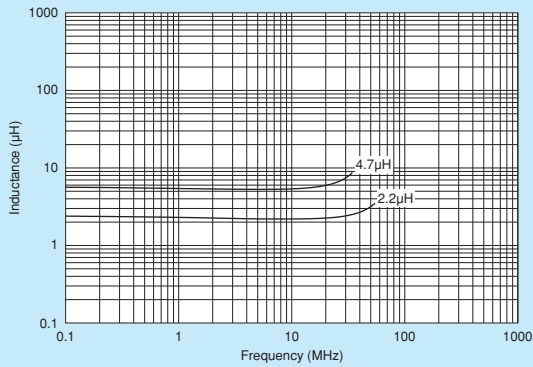
Operating Temperature Range (Self-temperature rise is not included): -40°C to +85°C

Only for reflow soldering.

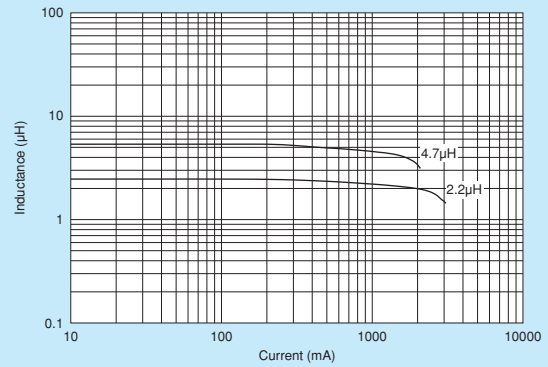
*1 When Rated Current is applied to the Products, Inductance will be within ±30% of nominal Inductance value.

*2 When Rated Current is applied to the Products, self-generation of heat will rise to 40°C or less.

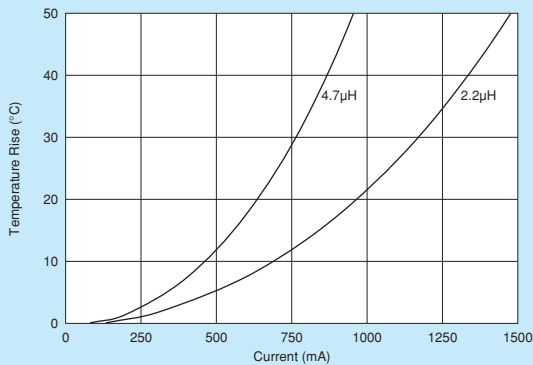
■ Inductance-Frequency Characteristics (Typ.)



■ Inductance-Current Characteristics (Typ.)



■ Temperature Rise Characteristics (Typ.)



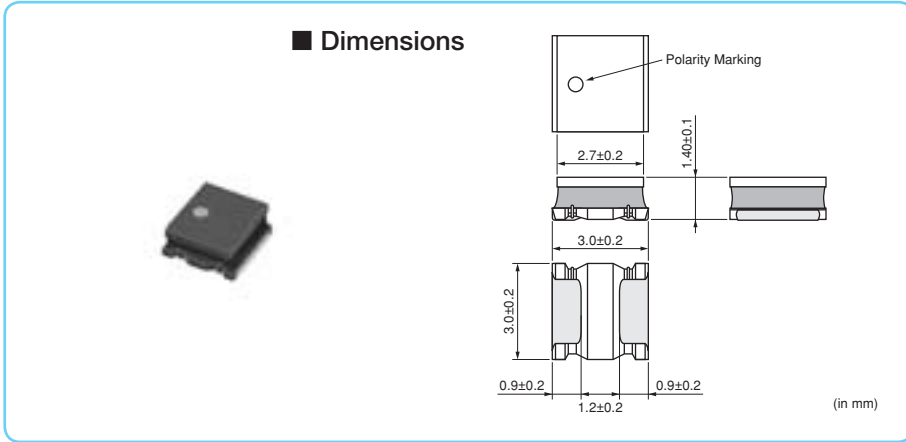
△Note • Please read rating and △CAUTION (for storage, operating, rating, soldering, mounting and handling) in this catalog to prevent smoking and/or burning, etc.
• This catalog has only typical specifications. Therefore, please approve our product specifications or transact the approval sheet for product specifications before ordering.

LQH3NP_M0 Series (1212 Size)

LQH3NP_M0



1212 Size, 1.5mm max. Thickness



■ Packaging

Code	Packaging	Minimum Quantity
L	180mm Embossed Tape	1000
K	330mm Embossed Tape	4000

Refer to pages from p.87 to p.90 for mounting information.

■ Rated Value (□: packaging code)

Part Number	Inductance	Rated Current ^{*1} (Based on Inductance Change)	Rated Current ^{*2} (Based on Temperature Rise)	DC Resistance	Self Resonance Frequency (min.)	
LQH3NPN1R0MM0□	1.0μH ±20%	1400mA	2050mA	0.044ohm ±20%	130MHz	Kit
LQH3NPN1R0NM0□	1.0μH ±30%	1400mA	2050mA	0.044ohm ±20%	130MHz	
LQH3NPN2R2MM0□	2.2μH ±20%	1250mA	1600mA	0.073ohm ±20%	90MHz	Kit
LQH3NPN2R2NM0□	2.2μH ±30%	1250mA	1600mA	0.073ohm ±20%	90MHz	
LQH3NPN3R3MM0□	3.3μH ±20%	1000mA	1450mA	0.092ohm ±20%	75MHz	Kit
LQH3NPN3R3NM0□	3.3μH ±30%	1000mA	1450mA	0.092ohm ±20%	75MHz	
LQH3NPN4R7MM0□	4.7μH ±20%	880mA	1250mA	0.13ohm ±20%	65MHz	Kit
LQH3NPN4R7NM0□	4.7μH ±30%	880mA	1250mA	0.13ohm ±20%	65MHz	
LQH3NPN6R8MM0□	6.8μH ±20%	820mA	1000mA	0.20ohm ±20%	50MHz	Kit
LQH3NPN6R8NM0□	6.8μH ±30%	820mA	1000mA	0.20ohm ±20%	50MHz	
LQH3NPN100MM0□	10μH ±20%	550mA	870mA	0.26ohm ±20%	45MHz	Kit
LQH3NPN100NM0□	10μH ±30%	550mA	870mA	0.26ohm ±20%	45MHz	
LQH3NPN150MM0□	15μH ±20%	520mA	730mA	0.36ohm ±20%	30MHz	Kit
LQH3NPN150NM0□	15μH ±30%	520mA	730mA	0.36ohm ±20%	30MHz	
LQH3NPN220MM0□	22μH ±20%	410mA	650mA	0.51ohm ±20%	28MHz	Kit
LQH3NPN330MM0□	33μH ±20%	370mA	500mA	0.85ohm ±20%	22MHz	Kit
LQH3NPN470MM0□	47μH ±20%	310mA	410mA	1.25ohm ±20%	18MHz	Kit
LQH3NPN101MM0□	100μH ±20%	200mA	240mA	3.50ohm ±20%	12MHz	Kit

Test Frequency: 1MHz Class of Magnetic Shield: Magnetic shield of magnetic powder in resin

Operating Temperature Range (Self-temperature rise is included): -40°C to +125°C

Operating Temperature Range (Self-temperature rise is not included): -40°C to +85°C

Only for reflow soldering.

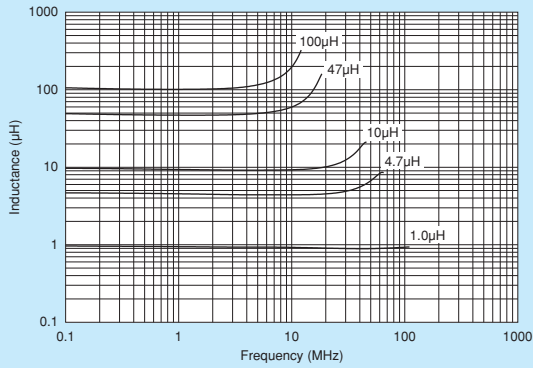
*1 When Rated Current is applied to the Products, Inductance will be within ±30% of nominal Inductance value.

*2 When Rated Current is applied to the Products, self-generation of heat will rise to 40°C or less.

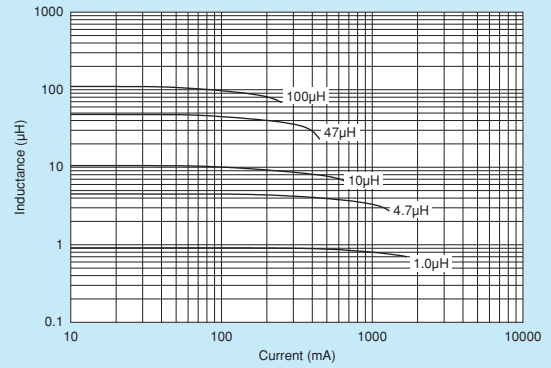
Continued on the following page. ↗

△Note • Please read rating and △CAUTION (for storage, operating, rating, soldering, mounting and handling) in this catalog to prevent smoking and/or burning, etc.
• This catalog has only typical specifications. Therefore, please approve our product specifications or transact the approval sheet for product specifications before ordering.

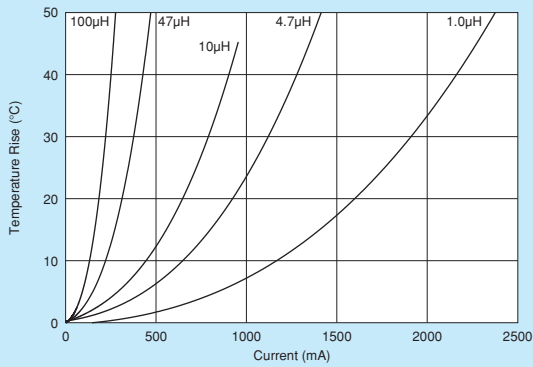
■ Inductance-Frequency Characteristics (Typ.)



■ Inductance-Current Characteristics (Typ.)



■ Temperature Rise Characteristics (Typ.)

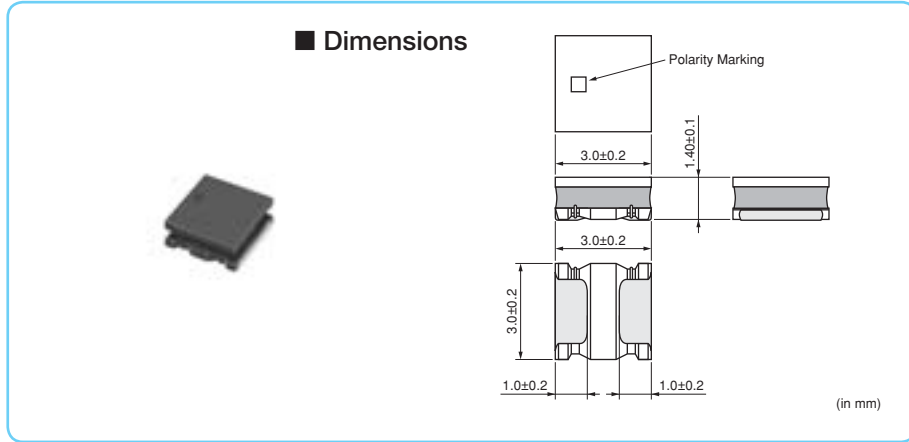


⚠Note • Please read rating and ⚠CAUTION (for storage, operating, rating, soldering, mounting and handling) in this catalog to prevent smoking and/or burning, etc.
• This catalog has only typical specifications. Therefore, please approve our product specifications or transact the approval sheet for product specifications before ordering.

LQH3NP_MR Series (1212 Size)



Low DC Resistance Type



■ Packaging

Code	Packaging	Minimum Quantity
E	180mm Embossed Tape	2000
F	330mm Embossed Tape	8000

Refer to pages from p.87 to p.90 for mounting information.

■ Rated Value (□: packaging code)

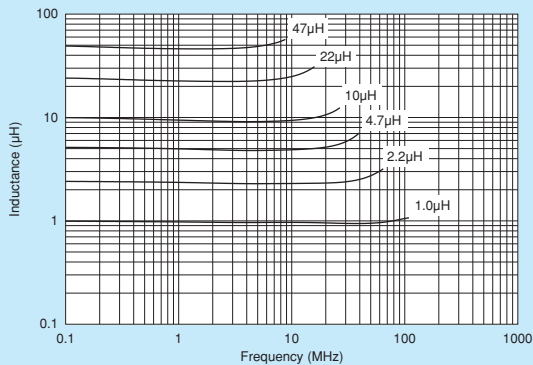
Part Number	Inductance	Rated Current ^{*1} (Based on Inductance Change)	Rated Current ^{*2} (Based on Temperature Rise)	DC Resistance	Self Resonance Frequency (min.)	
LQH3NPN1R0MMR□	1.0μH ±20%	1600mA	2150mA	0.042ohm ±20%	135MHz	Kit
LQH3NPN2R2MMR□	2.2μH ±20%	1380mA	1750mA	0.068ohm ±20%	75MHz	Kit
LQH3NPN3R3MMR□	3.3μH ±20%	1200mA	1550mA	0.088ohm ±20%	70MHz	Kit
LQH3NPN4R7MMR□	4.7μH ±20%	950mA	1400mA	0.105ohm ±20%	57MHz	Kit
LQH3NPN6R8MMR□	6.8μH ±20%	830mA	1250mA	0.155ohm ±20%	40MHz	New Kit
LQH3NPN100MMR□	10μH ±20%	590mA	1150mA	0.210ohm ±20%	30MHz	New Kit
LQH3NPN220MMR□	22μH ±20%	430mA	750mA	0.480ohm ±20%	20MHz	New Kit
LQH3NPN330MMR□	33μH ±20%	380mA	600mA	0.790ohm ±20%	15MHz	New Kit
LQH3NPN470MMR□	47μH ±20%	320mA	460mA	1.140ohm ±20%	10MHz	New Kit

Test Frequency: 1MHz Class of Magnetic Shield: Magnetic shield of magnetic powder in resin
 Operating Temperature Range (Self-temperature rise is included): -40°C to +125°C
 Operating Temperature Range (Self-temperature rise is not included): -40°C to +85°C
 Only for reflow soldering.

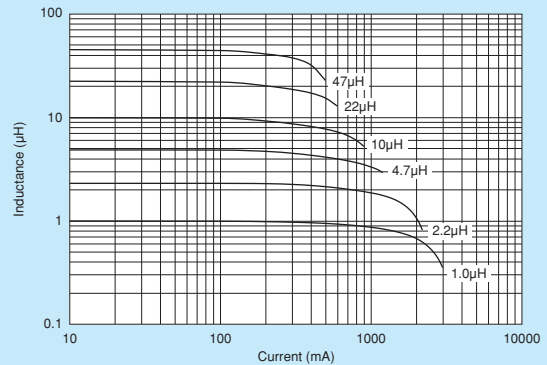
*1 When Rated Current is applied to the Products, Inductance will be within ±30% of nominal Inductance value.

*2 When Rated Current is applied to the Products, self-generation of heat will rise to 40°C or less.

■ Inductance-Frequency Characteristics (Typ.)



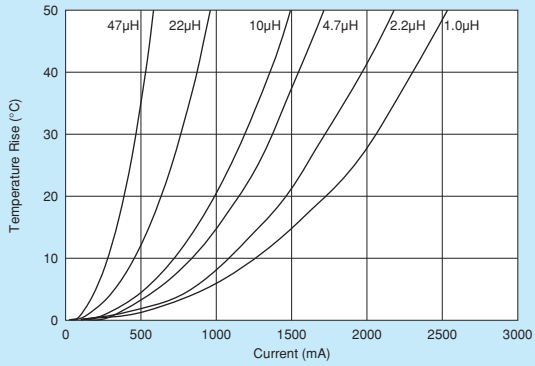
■ Inductance-Current Characteristics (Typ.)



Continued on the following page.

[△]Note • Please read rating and [△]CAUTION (for storage, operating, rating, soldering, mounting and handling) in this catalog to prevent smoking and/or burning, etc.
 • This catalog has only typical specifications. Therefore, please approve our product specifications or transact the approval sheet for product specifications before ordering.

Temperature Rise Characteristics (Typ.)



Note • Please read rating and CAUTION (for storage, operating, rating, soldering, mounting and handling) in this catalog to prevent smoking and/or burning, etc.
• This catalog has only typical specifications. Therefore, please approve our product specifications or transact the approval sheet for product specifications before ordering.

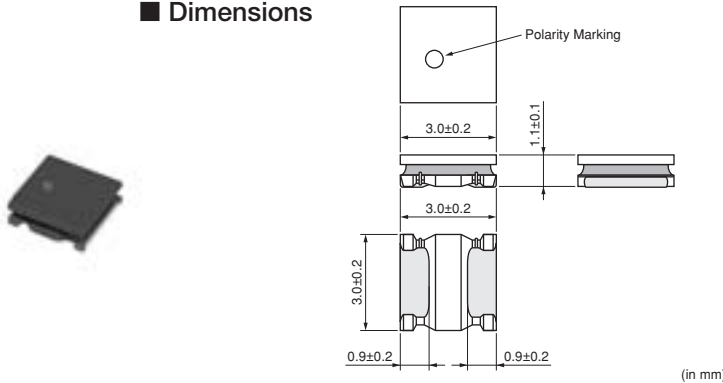
LQH3NP_J0 Series (1212 Size)

LQH3NP_J0



1212 Size, 1.2mm max. Thickness

■ Dimensions



■ Packaging

Code	Packaging	Minimum Quantity
L	180mm Embossed Tape	1000
K	330mm Embossed Tape	5000

Refer to pages from p.87 to p.90 for mounting information.

■ Rated Value (□: packaging code)

Part Number	Inductance	Rated Current ^{*1} (Based on Inductance Change)	Rated Current ^{*2} (Based on Temperature Rise)	DC Resistance	Self Resonance Frequency (min.)	
LQH3NPN1R0NJ0□	1.0μH ±30%	1650mA	1620mA	0.040ohm ±20%	140MHz	Kit
LQH3NPN1R5NJ0□	1.5μH ±30%	1200mA	1500mA	0.055ohm ±20%	90MHz	Kit
LQH3NPN2R2MJ0□	2.2μH ±20%	1150mA	1460mA	0.069ohm ±20%	90MHz	Kit
LQH3NPN2R2NJ0□	2.2μH ±30%	1150mA	1460mA	0.069ohm ±20%	90MHz	Kit
LQH3NPN3R3MJ0□	3.3μH ±20%	950mA	1270mA	0.105ohm ±20%	70MHz	Kit
LQH3NPN3R3NJ0□	3.3μH ±30%	950mA	1270mA	0.105ohm ±20%	70MHz	Kit
LQH3NPN4R7MJ0□	4.7μH ±20%	780mA	1120mA	0.130ohm ±20%	65MHz	Kit
LQH3NPN4R7NJ0□	4.7μH ±30%	780mA	1120mA	0.130ohm ±20%	65MHz	Kit
LQH3NPN6R8MJ0□	6.8μH ±20%	700mA	850mA	0.210ohm ±20%	45MHz	Kit
LQH3NPN6R8NJ0□	6.8μH ±30%	700mA	850mA	0.210ohm ±20%	45MHz	Kit
LQH3NPN100MJ0□	10μH ±20%	560mA	710mA	0.300ohm ±20%	35MHz	Kit
LQH3NPN100NJ0□	10μH ±30%	560mA	710mA	0.300ohm ±20%	35MHz	Kit
LQH3NPN150MJ0□	15μH ±20%	440mA	590mA	0.440ohm ±20%	30MHz	Kit
LQH3NPN150NJ0□	15μH ±30%	440mA	590mA	0.440ohm ±20%	30MHz	Kit
LQH3NPN220MJ0□	22μH ±20%	350mA	510mA	0.600ohm ±20%	25MHz	Kit
LQH3NPN220NJ0□	22μH ±30%	350mA	510mA	0.600ohm ±20%	25MHz	Kit
LQH3NPN330MJ0□	33μH ±20%	280mA	410mA	0.900ohm ±20%	20MHz	Kit
LQH3NPN330NJ0□	33μH ±30%	280mA	410mA	0.900ohm ±20%	20MHz	Kit
LQH3NPN470MJ0□	47μH ±20%	200mA	350mA	1.30ohm ±20%	15MHz	Kit
LQH3NPN470NJ0□	47μH ±30%	200mA	350mA	1.30ohm ±20%	15MHz	Kit

Test Frequency: 1MHz Class of Magnetic Shield: Magnetic shield of magnetic powder in resin

Operating Temperature Range (Self-temperature rise is included): -40°C to +125°C

Operating Temperature Range (Self-temperature rise is not included): -40°C to +85°C

Only for reflow soldering.

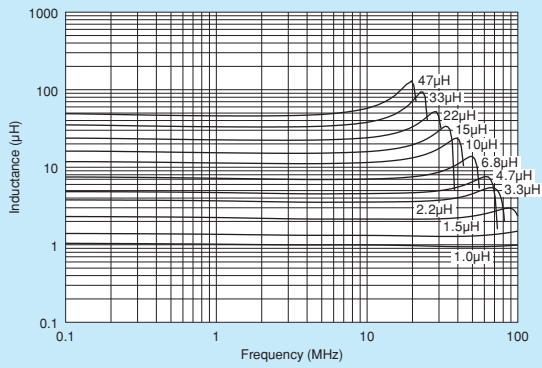
*1 When Rated Current is applied to the Products, Inductance will be within ±30% of nominal Inductance value.

*2 When Rated Current is applied to the Products, self-generation of heat will rise to 40°C or less.

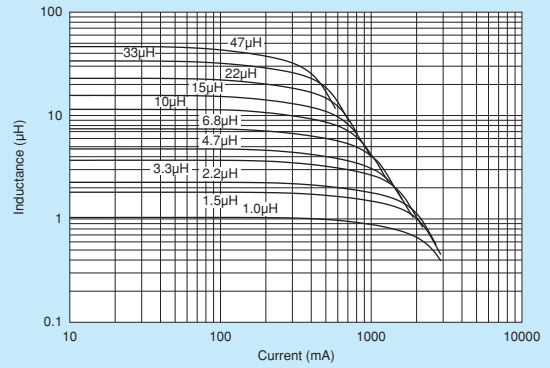
Continued on the following page. ↗

△Note • Please read rating and △CAUTION (for storage, operating, rating, soldering, mounting and handling) in this catalog to prevent smoking and/or burning, etc.
• This catalog has only typical specifications. Therefore, please approve our product specifications or transact the approval sheet for product specifications before ordering.

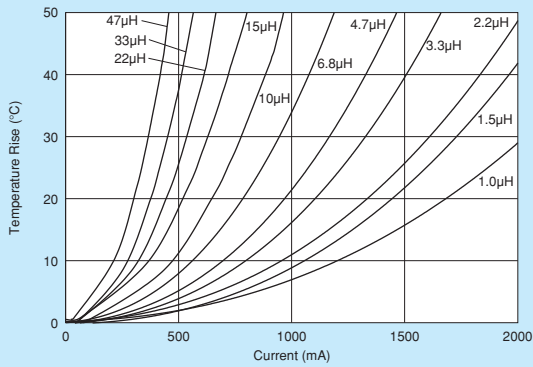
■ Inductance-Frequency Characteristics (Typ.)



■ Inductance-Current Characteristics (Typ.)



■ Temperature Rise Characteristics (Typ.)



△Note • Please read rating and △CAUTION (for storage, operating, rating, soldering, mounting and handling) in this catalog to prevent smoking and/or burning, etc.
• This catalog has only typical specifications. Therefore, please approve our product specifications or transact the approval sheet for product specifications before ordering.

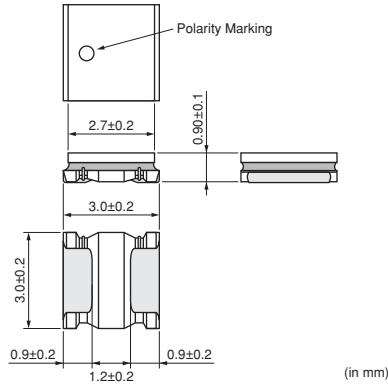
LQH3NP_GO Series (1212 Size)

LQH3NP_GO



1212 Size, 1.0mm max. Thickness

■ Dimensions



■ Packaging

Code	Packaging	Minimum Quantity
L	180mm Embossed Tape	1500
K	330mm Embossed Tape	6000

Refer to pages from p.87 to p.90 for mounting information.

■ Rated Value (□: packaging code)

Part Number	Inductance	Rated Current ^{*1} (Based on Inductance Change)	Rated Current ^{*2} (Based on Temperature Rise)	DC Resistance	Self Resonance Frequency (min.)	
LQH3NPN1R0NG0□	1.0μH ±30%	1650mA	1525mA	0.08ohm ±20%	160MHz	Kit
LQH3NPN1R5NG0□	1.5μH ±30%	1300mA	1470mA	0.10ohm ±20%	130MHz	Kit
LQH3NPN2R2NG0□	2.2μH ±30%	1250mA	1270mA	0.14ohm ±20%	100MHz	Kit
LQH3NPN3R3NG0□	3.3μH ±30%	850mA	1130mA	0.18ohm ±20%	75MHz	Kit
LQH3NPN4R7NG0□	4.7μH ±30%	800mA	925mA	0.26ohm ±20%	60MHz	Kit
LQH3NPN6R8NG0□	6.8μH ±30%	650mA	710mA	0.45ohm ±20%	48MHz	Kit
LQH3NPN100MG0□	10μH ±20%	500mA	630mA	0.57ohm ±20%	45MHz	Kit
LQH3NPN100NG0□	10μH ±30%	500mA	630mA	0.57ohm ±20%	45MHz	
LQH3NPN150NG0□	15μH ±30%	370mA	475mA	0.91ohm ±20%	35MHz	Kit
LQH3NPN220MG0□	22μH ±20%	340mA	430mA	1.1ohm ±20%	25MHz	Kit
LQH3NPN220NG0□	22μH ±30%	340mA	430mA	1.1ohm ±20%	25MHz	
LQH3NPN330MG0□	33μH ±20%	250mA	345mA	2.1ohm ±20%	24MHz	Kit
LQH3NPN330NG0□	33μH ±30%	250mA	345mA	2.1ohm ±20%	24MHz	
LQH3NPN470MG0□	47μH ±20%	170mA	270mA	3.0ohm ±20%	19MHz	Kit
LQH3NPN470NG0□	47μH ±30%	170mA	270mA	3.0ohm ±20%	19MHz	
LQH3NPN680MG0□	68μH ±20%	150mA	235mA	4.2ohm ±20%	16MHz	Kit
LQH3NPN680NG0□	68μH ±30%	150mA	235mA	4.2ohm ±20%	16MHz	
LQH3NPN101MG0□	100μH ±20%	140mA	165mA	8.0ohm ±20%	10MHz	Kit
LQH3NPN101NG0□	100μH ±30%	140mA	165mA	8.0ohm ±20%	10MHz	
LQH3NPN151MG0□	150μH ±20%	110mA	145mA	11.0ohm ±20%	10MHz	Kit
LQH3NPN151NG0□	150μH ±30%	110mA	145mA	11.0ohm ±20%	10MHz	
LQH3NPN221MG0□	220μH ±20%	100mA	130mA	14.0ohm ±20%	8.5MHz	Kit
LQH3NPN221NG0□	220μH ±30%	100mA	130mA	14.0ohm ±20%	8.5MHz	
LQH3NPN251MG0□	250μH ±20%	80mA	130mA	15.0ohm ±20%	8.0MHz	Kit
LQH3NPN251NG0□	250μH ±30%	80mA	130mA	15.0ohm ±20%	8.0MHz	

Test Frequency: 1MHz Class of Magnetic Shield: Magnetic shield of magnetic powder in resin
 Operating Temperature Range (Self-temperature rise is not included): -40°C to +85°C
 Only for reflow soldering.

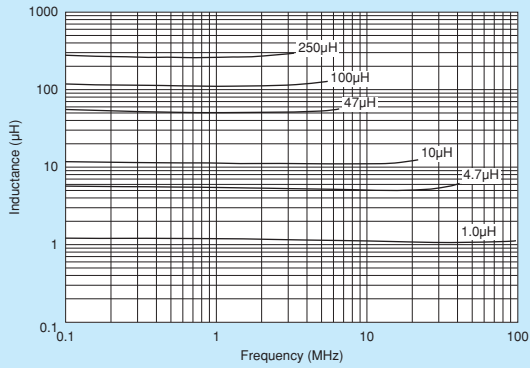
*1 When Rated Current is applied to the Products, Inductance will be within ±30% of nominal Inductance value.

*2 When Rated Current is applied to the Products, self-generation of heat will rise to 40°C or less.

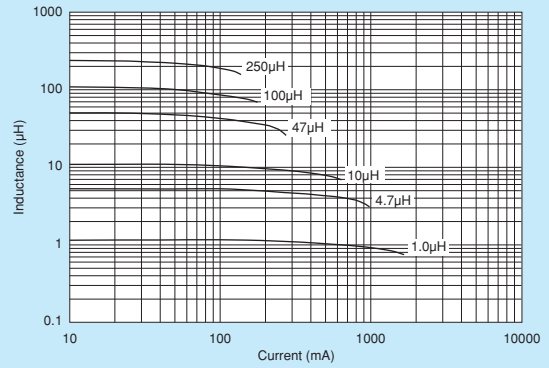
Continued on the following page.

[△]Note • Please read rating and [△]CAUTION (for storage, operating, rating, soldering, mounting and handling) in this catalog to prevent smoking and/or burning, etc.
 • This catalog has only typical specifications. Therefore, please approve our product specifications or transact the approval sheet for product specifications before ordering.

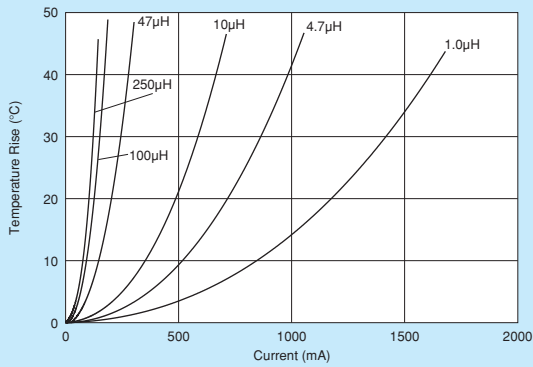
■ Inductance-Frequency Characteristics (Typ.)



■ Inductance-Current Characteristics (Typ.)



■ Temperature Rise Characteristics (Typ.)

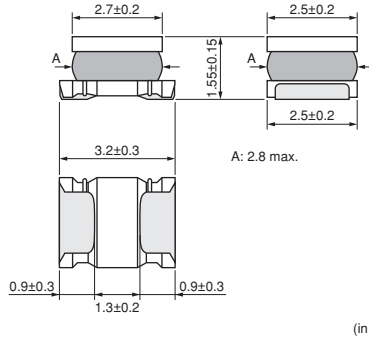


⚠Note • Please read rating and ⚠CAUTION (for storage, operating, rating, soldering, mounting and handling) in this catalog to prevent smoking and/or burning, etc.
• This catalog has only typical specifications. Therefore, please approve our product specifications or transact the approval sheet for product specifications before ordering.



1210 Size, 1.7mm max. Thickness

■ Dimensions



(in mm)

■ Packaging

Code	Packaging	Minimum Quantity
L	180mm Embossed Tape	2000
K	330mm Embossed Tape	7500

Refer to pages from p.87 to p.90 for mounting information.

■ Rated Value (□: packaging code)

Part Number	Inductance	Rated Current (Based on Inductance Change) ^{*1}	Rated Current (Based on Temperature Rise) ^{*2}	DC Resistance	Self Resonance Frequency (min.)	
LQH32PNR47NN0□	0.47μH ±30%	3400mA	2550mA	0.03ohm ±20%	100MHz	Kit
LQH32PN1R0NN0□	1.0μH ±30%	2300mA	2050mA	0.045ohm ±20%	100MHz	Kit
LQH32PN1R5NN0□	1.5μH ±30%	1750mA	1750mA	0.057ohm ±20%	70MHz	Kit
LQH32PN2R2NN0□	2.2μH ±30%	1550mA	1600mA	0.076ohm ±20%	70MHz	Kit
LQH32PN3R3NN0□	3.3μH ±30%	1250mA	1200mA	0.12ohm ±20%	50MHz	Kit
LQH32PN4R7NN0□	4.7μH ±30%	1000mA	1000mA	0.18ohm ±20%	40MHz	Kit
LQH32PN6R8NN0□	6.8μH ±30%	850mA	850mA	0.24ohm ±20%	40MHz	Kit
LQH32PN100MN0□	10μH ±20%	750mA	700mA	0.38ohm ±20%	30MHz	Kit
LQH32PN150MN0□	15μH ±20%	600mA	520mA	0.57ohm ±20%	20MHz	Kit
LQH32PN220MN0□	22μH ±20%	500mA	450mA	0.81ohm ±20%	20MHz	Kit
LQH32PN330MN0□	33μH ±20%	380mA	390mA	1.15ohm ±20%	13MHz	Kit
LQH32PN470MN0□	47μH ±20%	330mA	310mA	1.78ohm ±20%	11MHz	Kit
LQH32PN680MN0□	68μH ±20%	280mA	275mA	2.28ohm ±20%	11MHz	Kit
LQH32PN101MN0□	100μH ±20%	180mA	250mA	2.70ohm ±20%	8MHz	Kit
LQH32PN121MN0□	120μH ±20%	170mA	200mA	4.38ohm ±20%	8MHz	Kit

Test Frequency: 1MHz Class of Magnetic Shield: Magnetic shield of magnetic powder in resin

Operating Temperature Range (Self-temperature rise is included): -40°C to +125°C

Operating Temperature Range (Self-temperature rise is not included): -40°C to +85°C

Only for reflow soldering.

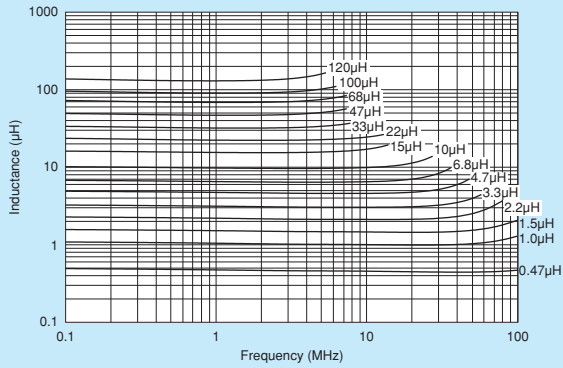
*1 When Rated Current is applied to the Products, Inductance will be within ±30% of nominal Inductance value.

*2 When Rated Current is applied to the Products, self-generation of heat will rise to 40°C or less.

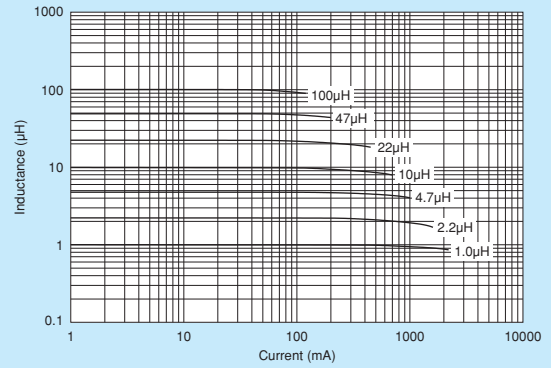
Continued on the following page.

[△]Note • Please read rating and [△]CAUTION (for storage, operating, rating, soldering, mounting and handling) in this catalog to prevent smoking and/or burning, etc.
• This catalog has only typical specifications. Therefore, please approve our product specifications or transact the approval sheet for product specifications before ordering.

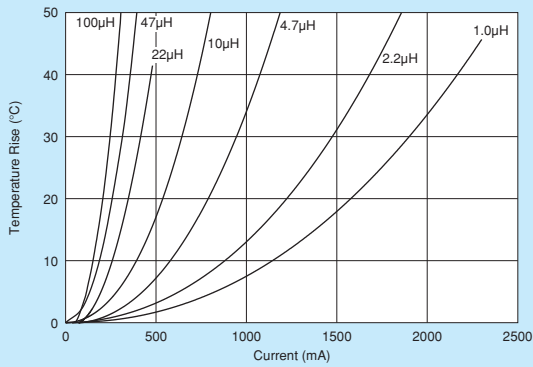
■ Inductance-Frequency Characteristics (Typ.)



■ Inductance-Current Characteristics (Typ.)



■ Temperature Rise Characteristics (Typ.)

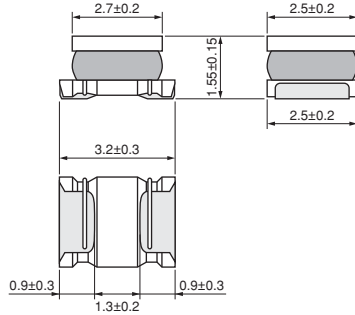


⚠Note • Please read rating and ⚠CAUTION (for storage, operating, rating, soldering, mounting and handling) in this catalog to prevent smoking and/or burning, etc.
• This catalog has only typical specifications. Therefore, please approve our product specifications or transact the approval sheet for product specifications before ordering.



Bias Current Characteristics Improved

■ Dimensions



(in mm)

■ Packaging

Code	Packaging	Minimum Quantity
L	180mm Embossed Tape	2000
K	330mm Embossed Tape	7500

Refer to pages from p.87 to p.90 for mounting information.

■ Rated Value (□: packaging code)

Part Number	Inductance	Rated Current ^{*1} (Based on Inductance Change)	Rated Current ^{*2} (Based on Temperature Rise)	DC Resistance	Self Resonance Frequency (min.)	
LQH32PNR47NNC□	0.47μH ±30%	4400mA	2900mA	0.024ohm ±20%	100MHz	Kit
LQH32PN1R0NNC□	1.0μH ±30%	3000mA	2500mA	0.036ohm ±20%	100MHz	Kit
LQH32PN1R5NNC□	1.5μH ±30%	2600mA	2100mA	0.053ohm ±20%	70MHz	Kit
LQH32PN2R2NNC□	2.2μH ±30%	2000mA	1850mA	0.064ohm ±20%	70MHz	Kit
LQH32PN3R3NNC□	3.3μH ±30%	1900mA	1550mA	0.100ohm ±20%	50MHz	Kit
LQH32PN4R7NNC□	4.7μH ±30%	1600mA	1200mA	0.155ohm ±20%	40MHz	Kit
LQH32PN6R8NNC□	6.8μH ±30%	1300mA	1100mA	0.220ohm ±20%	40MHz	Kit
LQH32PN100MNC□	10μH ±20%	1000mA	900mA	0.295ohm ±20%	30MHz	Kit
LQH32PN150MNC□	15μH ±20%	800mA	700mA	0.475ohm ±20%	20MHz	Kit
LQH32PN220MNC□	22μH ±20%	650mA	550mA	0.685ohm ±20%	20MHz	Kit

Test Frequency: 1MHz Class of Magnetic Shield: Magnetic shield of magnetic powder in resin

Operating Temperature Range (Self-temperature rise is included): -40°C to +125°C

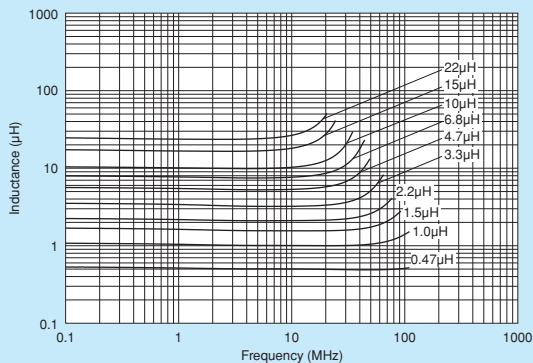
Operating Temperature Range (Self-temperature rise is not included): -40°C to +85°C

Only for reflow soldering.

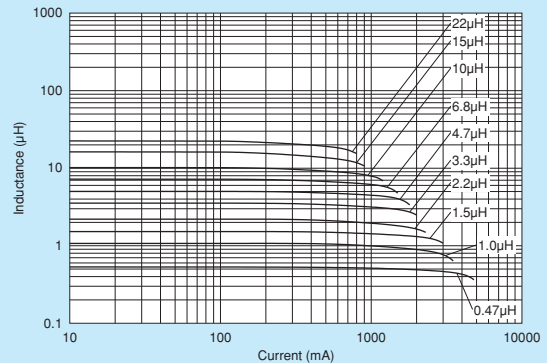
*1 When Rated Current is applied to the Products, Inductance will be within ±30% of nominal Inductance value.

*2 When Rated Current is applied to the Products, self-generation of heat will rise to 40°C or less.

■ Inductance-Frequency Characteristics (Typ.)



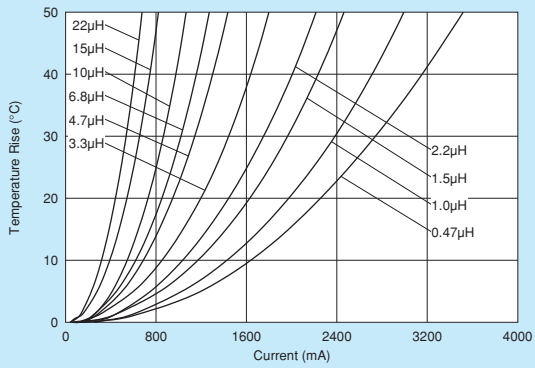
■ Inductance-Current Characteristics (Typ.)



Continued on the following page.

△Note • Please read rating and △CAUTION (for storage, operating, rating, soldering, mounting and handling) in this catalog to prevent smoking and/or burning, etc.
• This catalog has only typical specifications. Therefore, please approve our product specifications or transact the approval sheet for product specifications before ordering.

■ Temperature Rise Characteristics (Typ.)

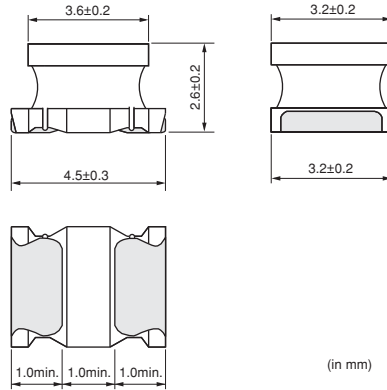


⚠Note • Please read rating and ⚠CAUTION (for storage, operating, rating, soldering, mounting and handling) in this catalog to prevent smoking and/or burning, etc.
• This catalog has only typical specifications. Therefore, please approve our product specifications or transact the approval sheet for product specifications before ordering.



1812 Size, 2.8mm max. Thickness

■ Dimensions



■ Packaging

Code	Packaging	Minimum Quantity
L	180mm Embossed Tape	500
K	330mm Embossed Tape	2500

Refer to pages from p.87 to p.90 for mounting information.

■ Rated Value (□: packaging code)

Part Number	Inductance	Rated Current ^{*1} (Based on Inductance Change)	Rated Current ^{*2} (Based on Temperature Rise)	DC Resistance	Self Resonance Frequency (min.)	
LQH43PN1R0N26□	1.0μH ±30%	3400mA	3300mA	0.026ohm ±20%	100MHz	Kit
LQH43PN2R2M26□	2.2μH ±20%	2300mA	2500mA	0.042ohm ±20%	45MHz	Kit
LQH43PN3R3M26□	3.3μH ±20%	1800mA	2100mA	0.052ohm ±20%	40MHz	Kit
LQH43PN4R7M26□	4.7μH ±20%	1400mA	1600mA	0.075ohm ±20%	35MHz	Kit
LQH43PN6R8M26□	6.8μH ±20%	1200mA	1400mA	0.098ohm ±20%	30MHz	Kit
LQH43PN8R2M26□	8.2μH ±20%	1100mA	1300mA	0.128ohm ±20%	25MHz	Kit
LQH43PN100M26□	10μH ±20%	1050mA	1170mA	0.147ohm ±20%	20MHz	Kit
LQH43PN220M26□	22μH ±20%	700mA	780mA	0.327ohm ±20%	15MHz	Kit
LQH43PN470M26□	47μH ±20%	470mA	520mA	0.718ohm ±20%	8MHz	Kit
LQH43PN101M26□	100μH ±20%	320mA	320mA	1.538ohm ±20%	4MHz	Kit
LQH43PN151M26□	150μH ±20%	280mA	260mA	2.362ohm ±20%	3MHz	Kit
LQH43PN221M26□	220μH ±20%	220mA	240mA	2.900ohm ±20%	2MHz	Kit

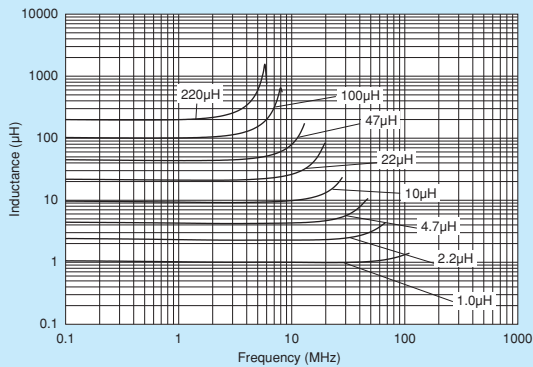
Test Frequency: 1MHz Class of Magnetic Shield: Magnetic shield of magnetic powder in resin

Operating Temperature Range (Self-temperature rise is not included): -40°C to +85°C

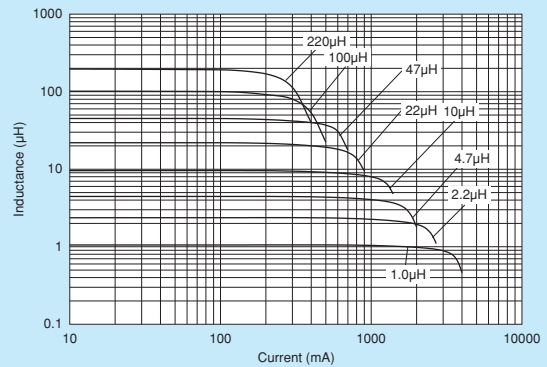
*1 When Rated Current is applied to the Products, Inductance will be within ±30% of nominal Inductance value.

*2 When Rated Current is applied to the Products, self-generation of heat will rise to 40°C or less.

■ Inductance-Frequency Characteristics (Typ.)



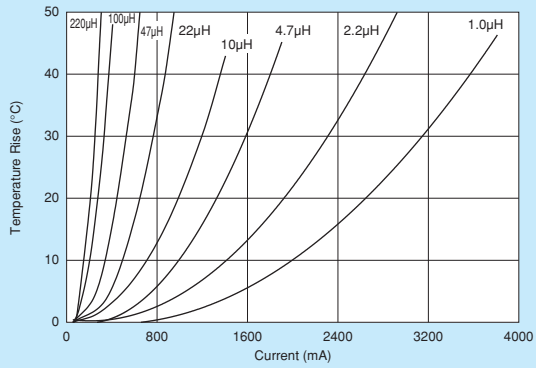
■ Inductance-Current Characteristics (Typ.)



Continued on the following page.

△Note • Please read rating and △CAUTION (for storage, operating, rating, soldering, mounting and handling) in this catalog to prevent smoking and/or burning, etc.
• This catalog has only typical specifications. Therefore, please approve our product specifications or transact the approval sheet for product specifications before ordering.

■ Temperature Rise Characteristics (Typ.)



⚠Note • Please read rating and ⚠CAUTION (for storage, operating, rating, soldering, mounting and handling) in this catalog to prevent smoking and/or burning, etc.
• This catalog has only typical specifications. Therefore, please approve our product specifications or transact the approval sheet for product specifications before ordering.

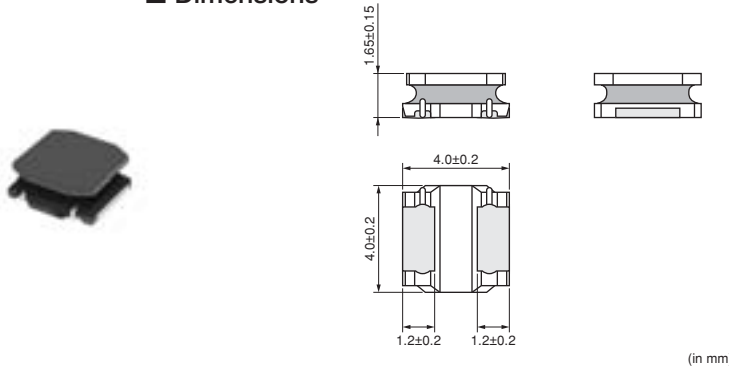
LQH44P_PO Series (1515 Size)

LQH44P_PO



1515 Size, 1.8mm max. Thickness

■ Dimensions



■ Packaging

Code	Packaging	Minimum Quantity
L	180mm Embossed Tape	1000
K	330mm Embossed Tape	3500

Refer to pages from p.87 to p.90 for mounting information.

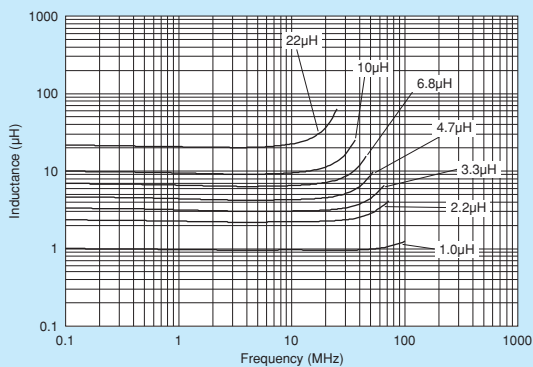
■ Rated Value (□: packaging code)

Part Number	Inductance	Rated Current ^{*1} (Based on Inductance Change)	Rated Current ^{*2} (Based on Temperature Rise)	DC Resistance	Self Resonance Frequency (min.)	
LQH44PN1R0NP0□	1.0μH ±30%	2950mA	2450mA	0.030ohm ±20%	90MHz	Kit
LQH44PN2R2MP0□	2.2μH ±20%	2500mA	1800mA	0.049ohm ±20%	70MHz	Kit
LQH44PN3R3MP0□	3.3μH ±20%	2100mA	1770mA	0.065ohm ±20%	50MHz	Kit
LQH44PN4R7MP0□	4.7μH ±20%	1700mA	1700mA	0.080ohm ±20%	40MHz	Kit
LQH44PN6R8MP0□	6.8μH ±20%	1400mA	1340mA	0.12ohm ±20%	35MHz	Kit
LQH44PN100MP0□	10μH ±20%	1150mA	1170mA	0.16ohm ±20%	25MHz	Kit
LQH44PN220MP0□	22μH ±20%	800mA	790mA	0.37ohm ±20%	17MHz	Kit

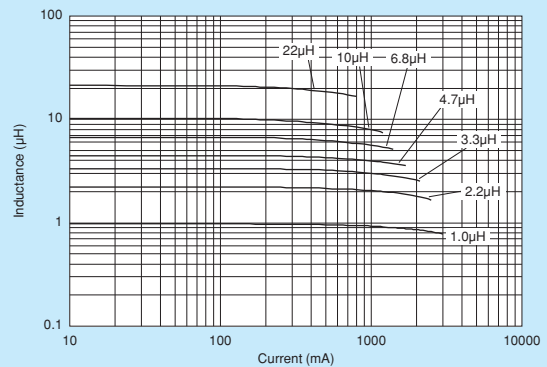
Test Frequency: 1MHz Class of Magnetic Shield: Magnetic shield of magnetic powder in resin
 Operating Temperature Range (Self-temperature rise is included): -40°C to +125°C
 Operating Temperature Range (Self-temperature rise is not included): -40°C to +85°C
 Only for reflow soldering.

*1 When Rated Current is applied to the Products, Inductance will be within ±30% of nominal Inductance value.
 *2 When Rated Current is applied to the Products, self-generation of heat will rise to 40°C or less.

■ Inductance-Frequency Characteristics (Typ.)



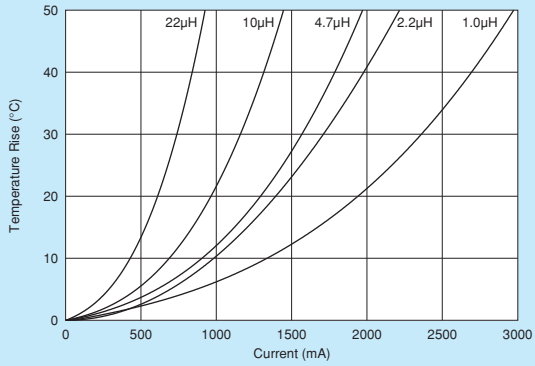
■ Inductance-Current Characteristics (Typ.)



Continued on the following page.

△Note • Please read rating and △CAUTION (for storage, operating, rating, soldering, mounting and handling) in this catalog to prevent smoking and/or burning, etc.
 • This catalog has only typical specifications. Therefore, please approve our product specifications or transact the approval sheet for product specifications before ordering.

■ Temperature Rise Characteristics (Typ.)

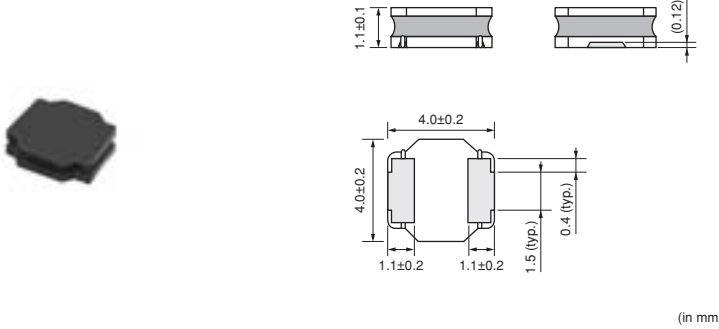


⚠Note • Please read rating and ⚠CAUTION (for storage, operating, rating, soldering, mounting and handling) in this catalog to prevent smoking and/or burning, etc.
• This catalog has only typical specifications. Therefore, please approve our product specifications or transact the approval sheet for product specifications before ordering.



1515 Size, 1.2mm max. Thickness

■ Dimensions



■ Packaging

Code	Packaging	Minimum Quantity
L	180mm Embossed Tape	1000
K	330mm Embossed Tape	3500

Refer to pages from p.87 to p.90 for mounting information.

■ Rated Value (□: packaging code)

Part Number	Inductance	Rated Current ^{*1} (Based on Inductance Change)	Rated Current ^{*2} (Based on Temperature Rise)	DC Resistance	Self Resonance Frequency (min.)	
LQH44PN1R0NJ0□	1.0μH ±30%	2000mA	1530mA	0.048ohm ±20%	130MHz	Kit
LQH44PN1R5MJ0□	1.5μH ±20%	1600mA	1380mA	0.061ohm ±20%	90MHz	Kit
LQH44PN2R2MJ0□	2.2μH ±20%	1320mA	1230mA	0.074ohm ±20%	68MHz	Kit
LQH44PN3R3MJ0□	3.3μH ±20%	900mA	1000mA	0.088ohm ±20%	55MHz	Kit
LQH44PN4R7MJ0□	4.7μH ±20%	840mA	980mA	0.117ohm ±20%	50MHz	Kit
LQH44PN6R8MJ0□	6.8μH ±20%	720mA	860mA	0.143ohm ±20%	38MHz	Kit
LQH44PN100MJ0□	10μH ±20%	560mA	790mA	0.207ohm ±20%	30MHz	Kit
LQH44PN150MJ0□	15μH ±20%	430mA	610mA	0.385ohm ±20%	25MHz	Kit
LQH44PN220MJ0□	22μH ±20%	400mA	550mA	0.480ohm ±20%	18MHz	Kit
LQH44PN330MJ0□	33μH ±20%	360mA	430mA	0.740ohm ±20%	15MHz	Kit
LQH44PN470MJ0□	47μH ±20%	300mA	380mA	1.014ohm ±20%	13MHz	Kit

Test Frequency: 100kHz Class of Magnetic Shield: Magnetic shield of magnetic powder in resin

Operating Temperature Range (Self-temperature rise is included): -40°C to +125°C

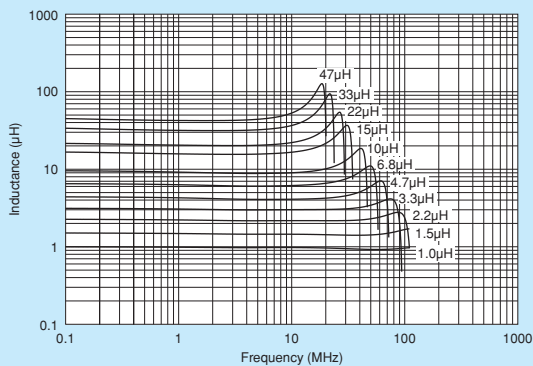
Operating Temperature Range (Self-temperature rise is not included): -40°C to +85°C

Only for reflow soldering.

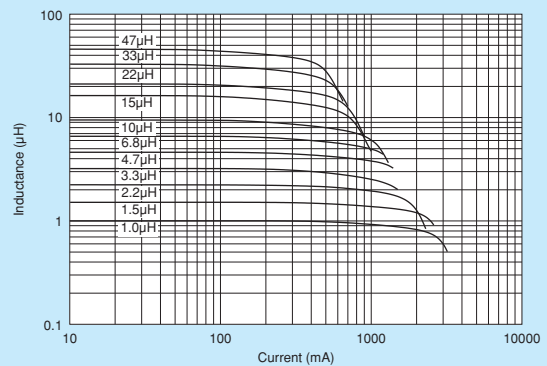
*1 When Rated Current is applied to the Products, Inductance will be within ±30% of nominal Inductance value.

*2 When Rated Current is applied to the Products, self-generation of heat will rise to 40°C or less.

■ Inductance-Frequency Characteristics (Typ.)



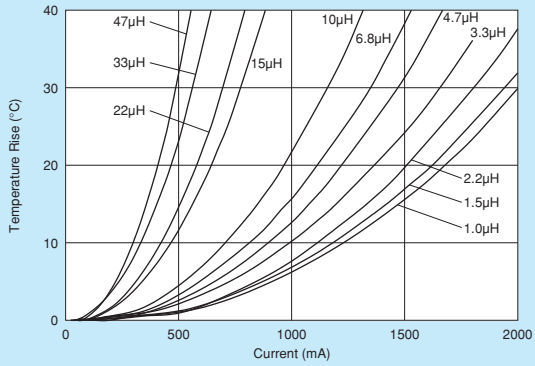
■ Inductance-Current Characteristics (Typ.)



Continued on the following page.

△Note • Please read rating and △CAUTION (for storage, operating, rating, soldering, mounting and handling) in this catalog to prevent smoking and/or burning, etc.
• This catalog has only typical specifications. Therefore, please approve our product specifications or transact the approval sheet for product specifications before ordering.

Temperature Rise Characteristics (Typ.)



Note • Please read rating and CAUTION (for storage, operating, rating, soldering, mounting and handling) in this catalog to prevent smoking and/or burning, etc.
• This catalog has only typical specifications. Therefore, please approve our product specifications or transact the approval sheet for product specifications before ordering.

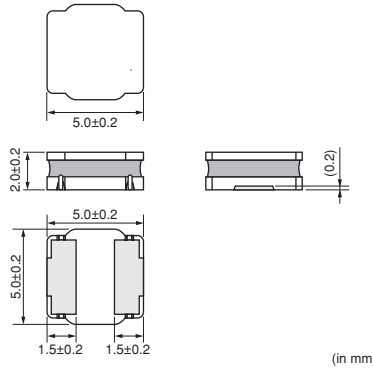
LQH5BP_T0 Series (2020 Size)

LQH5BP_T0



2020 Size, 2.2mm max. Thickness

■ Dimensions



■ Packaging

Code	Packaging	Minimum Quantity
L	180mm Embossed Tape	500
K	330mm Embossed Tape	3000

Refer to pages from p.87 to p.90 for mounting information.

■ Rated Value (□: packaging code)

Part Number	Inductance	Rated Current ^{*1} (Based on Inductance Change)	Rated Current ^{*2} (Based on Temperature Rise)	DC Resistance	Self Resonance Frequency (min.)	
LQH5BPNR47NT0□	0.47μH ±30%	7.7A	4.0A	0.012ohm ±20%	220MHz	Kit
LQH5BPN1R0NT0□	1.0μH ±30%	5.8A	3.1A	0.019ohm ±20%	90MHz	Kit
LQH5BPN1R2NT0□	1.2μH ±30%	5.4A	3.1A	0.019ohm ±20%	90MHz	Kit
LQH5BPN1R5NT0□	1.5μH ±30%	5.0A	3.0A	0.024ohm ±20%	70MHz	Kit
LQH5BPN2R2NT0□	2.2μH ±30%	4.0A	2.6A	0.030ohm ±20%	55MHz	Kit
LQH5BPN2R7NT0□	2.7μH ±30%	3.8A	2.5A	0.035ohm ±20%	50MHz	Kit
LQH5BPN3R3NT0□	3.3μH ±30%	3.5A	2.3A	0.044ohm ±20%	40MHz	Kit
LQH5BPN4R7NT0□	4.7μH ±30%	3.0A	2.0A	0.058ohm ±20%	40MHz	Kit
LQH5BPN6R8NT0□	6.8μH ±30%	2.5A	1.65A	0.083ohm ±20%	30MHz	Kit
LQH5BPN100MT0□	10μH ±20%	2.0A	1.60A	0.106ohm ±20%	25MHz	Kit
LQH5BPN150MT0□	15μH ±20%	1.6A	1.20A	0.187ohm ±20%	18MHz	Kit
LQH5BPN220MT0□	22μH ±20%	1.4A	1.05A	0.259ohm ±20%	15MHz	Kit

Test Frequency: 100kHz Class of Magnetic Shield: Magnetic shield of magnetic powder in resin

Operating Temperature Range (Self-temperature rise is included): -40°C to +125°C

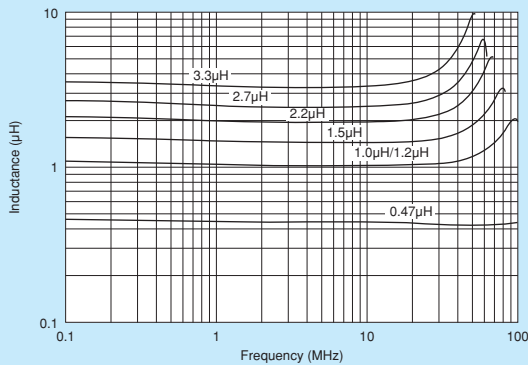
Operating Temperature Range (Self-temperature rise is not included): -40°C to +85°C

Only for reflow soldering.

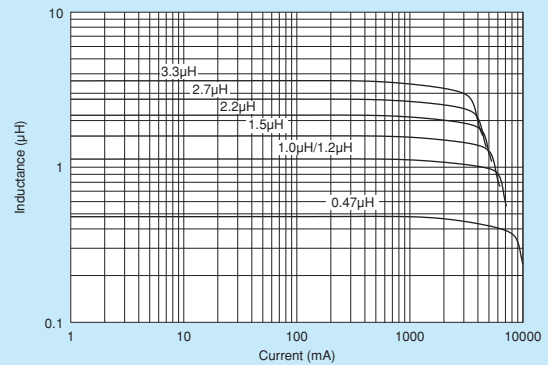
*1 When Rated Current is applied to the Products, Inductance will be within ±30% of nominal Inductance value.

*2 When Rated Current is applied to the Products, self-generation of heat will rise to 40°C or less.

■ Inductance-Frequency Characteristics (Typ.)



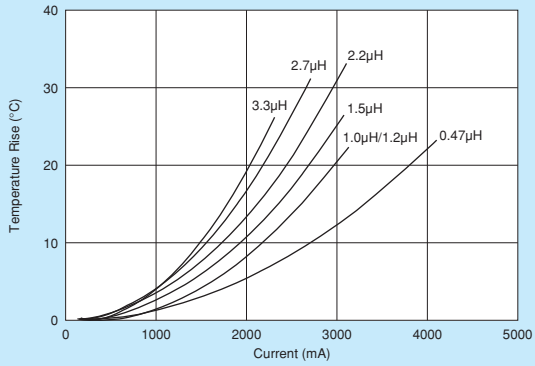
■ Inductance-Current Characteristics (Typ.)



Continued on the following page.

[△]Note • Please read rating and [△]CAUTION (for storage, operating, rating, soldering, mounting and handling) in this catalog to prevent smoking and/or burning, etc.
• This catalog has only typical specifications. Therefore, please approve our product specifications or transact the approval sheet for product specifications before ordering.

■ Temperature Rise Characteristics (Typ.)



⚠Note • Please read rating and ⚠CAUTION (for storage, operating, rating, soldering, mounting and handling) in this catalog to prevent smoking and/or burning, etc.
• This catalog has only typical specifications. Therefore, please approve our product specifications or transact the approval sheet for product specifications before ordering.

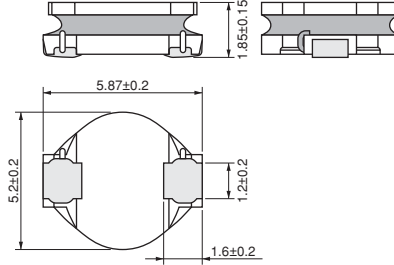
LQH55P_R0 Series (2220 Size)

LQH55P_R0



2220 Size, 2.0mm max. Thickness

■ Dimensions



(in mm)

■ Packaging

Code	Packaging	Minimum Quantity
L	180mm Embossed Tape	500
K	330mm Embossed Tape	3000

Refer to pages from p.87 to p.90 for mounting information.

■ Rated Value (□: packaging code)

Part Number	Inductance	Rated Current (Based on Inductance Change) ^{*1}	Rated Current (Based on Temperature Rise) ^{*2}	DC Resistance	Self Resonance Frequency (min.)
LQH55PN1R2NR0□	1.2μH ±30%	2600mA	2900mA	0.021ohm ±20%	80MHz
LQH55PN2R2NR0□	2.2μH ±30%	2100mA	2500mA	0.031ohm ±20%	60MHz
LQH55PN2R7NR0□	2.7μH ±30%	2070mA	2150mA	0.040ohm ±20%	50MHz
LQH55PN3R3NR0□	3.3μH ±30%	2000mA	2000mA	0.044ohm ±20%	35MHz
LQH55PN4R7NR0□	4.7μH ±30%	1400mA	1750mA	0.060ohm ±20%	30MHz
LQH55PN6R8NR0□	6.8μH ±30%	1200mA	1450mA	0.087ohm ±20%	25MHz
LQH55PN100MR0□	10μH ±20%	1000mA	1250mA	0.11ohm ±20%	20MHz
LQH55PN220MR0□	22μH ±20%	670mA	850mA	0.26ohm ±20%	10MHz

Test Frequency: 100kHz Class of Magnetic Shield: Magnetic shield of magnetic powder in resin

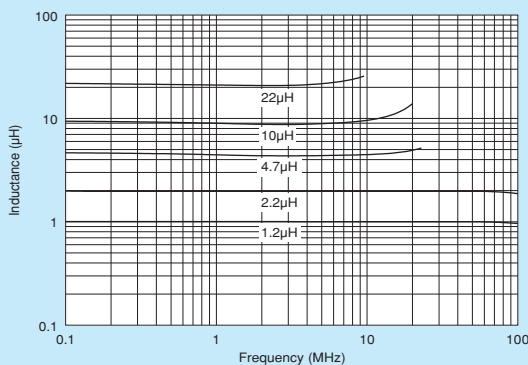
Operating Temperature Range (Self-temperature rise is not included): -40°C to +85°C

Only for reflow soldering.

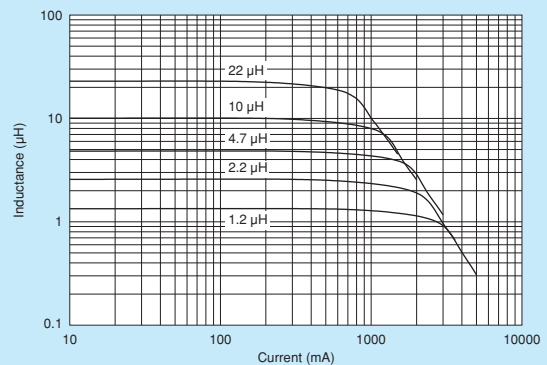
*1 When Rated Current is applied to the Products, Inductance will be within ±30% of nominal Inductance value.

*2 When Rated Current is applied to the Products, self-generation of heat will rise to 40°C or less.

■ Inductance-Frequency Characteristics (Typ.)



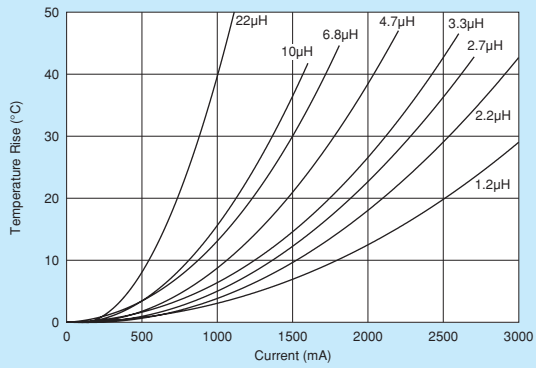
■ Inductance-Current Characteristics (Typ.)



Continued on the following page.

Note • Please read rating and **CAUTION** (for storage, operating, rating, soldering, mounting and handling) in this catalog to prevent smoking and/or burning, etc.
• This catalog has only typical specifications. Therefore, please approve our product specifications or transact the approval sheet for product specifications before ordering.

■ Temperature Rise Characteristics (Typ.)

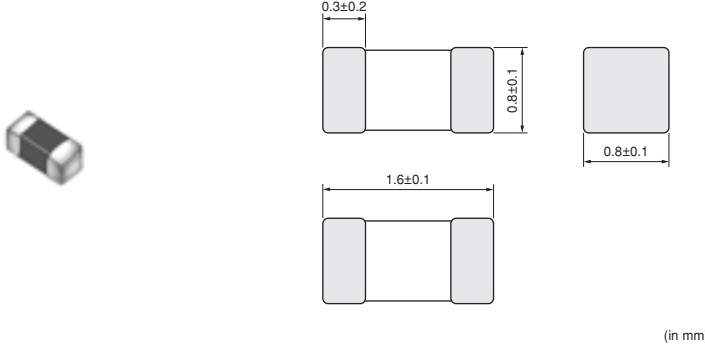


⚠Note • Please read rating and ⚠CAUTION (for storage, operating, rating, soldering, mounting and handling) in this catalog to prevent smoking and/or burning, etc.
• This catalog has only typical specifications. Therefore, please approve our product specifications or transact the approval sheet for product specifications before ordering.



0603 Size

■ Dimensions



■ Packaging

Code	Packaging	Minimum Quantity
D	180mm Paper Tape	4000
J	330mm Paper Tape	10000
B	Bulk(Bag)	1000

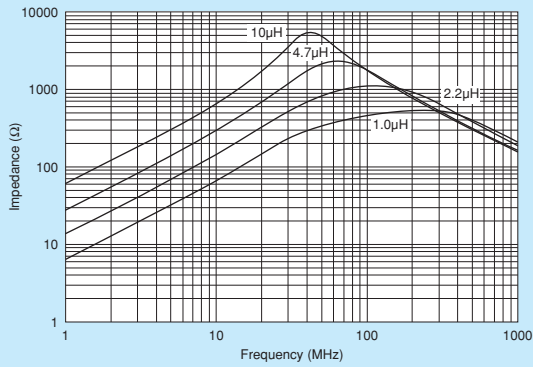
Refer to pages from p.87 to p.90 for mounting information.

■ Rated Value (□: packaging code)

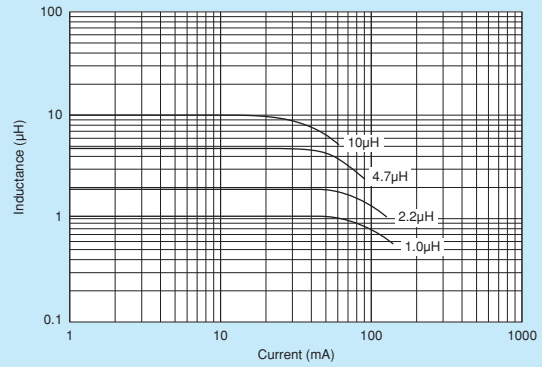
Part Number	Inductance	Test Frequency	Rated Current	DC Resistance	Self Resonance Frequency (min.)	
LQM18FN1R0M00□	1.0μH ±20%	1MHz	150mA	0.20ohm ±30%	120MHz	Kit
LQM18FN2R2M00□	2.2μH ±20%	1MHz	120mA	0.40ohm ±30%	80MHz	Kit
LQM18FN4R7M00□	4.7μH ±20%	1MHz	80mA	0.60ohm ±30%	50MHz	Kit
LQM18FN100M00□	10μH ±20%	1MHz	50mA	0.90ohm ±30%	30MHz	Kit

Class of Magnetic Shield: Magnetic shield of ferrite
 Operating Temperature Range (Self-temperature rise is not included): -55°C to +125°C

■ Impedance-Frequency Characteristics (Typ.)



■ Inductance-Current Characteristics (Typ.)

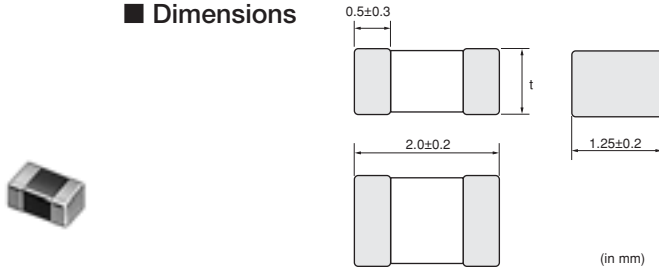


⚠Note • Please read rating and ⚠CAUTION (for storage, operating, rating, soldering, mounting and handling) in this catalog to prevent smoking and/or burning, etc.
 • This catalog has only typical specifications. Therefore, please approve our product specifications or transact the approval sheet for product specifications before ordering.



0805 Size, Low DC Resistance Type

■ Dimensions



Dimension of t	Inductance: 1.0 to 10μH	0.85±0.2
	Inductance: 22 to 47μH	1.25±0.2

■ Packaging

Code	Packaging	Minimum Quantity
D	180mm Paper Tape	4000 *1
L	180mm Embossed Tape	3000 *2
J	330mm Paper Tape	10000 *1
K	330mm Embossed Tape	10000 *2
B	Bulk(Bag)	1000

*1: LQM21D (1.0 to 10μH)
*2: LQM21D (22 to 47μH)

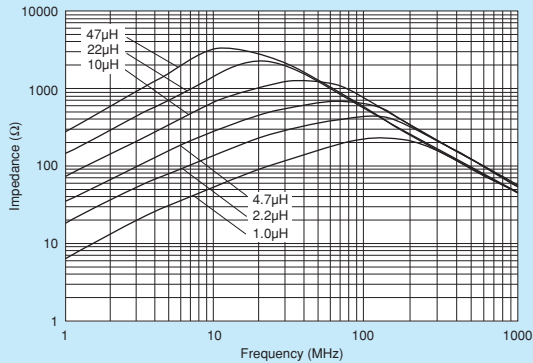
Refer to pages from p.87 to p.90 for mounting information.

■ Rated Value (□: packaging code)

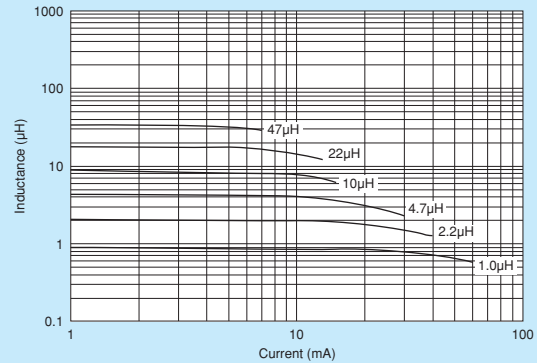
Part Number	Inductance	Test Frequency	Rated Current	Max. of DC Resistance	Self Resonance Frequency (min.)
LQM21DN1R0N00□	1.0μH ±30%	1MHz	60mA	0.10ohm	75MHz
LQM21DN2R2N00□	2.2μH ±30%	1MHz	40mA	0.17ohm	50MHz
LQM21DN4R7N00□	4.7μH ±30%	1MHz	30mA	0.30ohm	35MHz
LQM21DN100N00□	10μH ±30%	1MHz	15mA	0.50ohm	24MHz
LQM21DN220N00□	22μH ±30%	1MHz	13mA	0.65ohm	16MHz
LQM21DN470N00□	47μH ±30%	1MHz	7mA	1.20ohm	7.5MHz

Class of Magnetic Shield: Magnetic shield of ferrite
Operating Temperature Range (Self-temperature rise is not included): -40°C to +85°C

■ Impedance-Frequency Characteristics (Typ.)



■ Inductance-Current Characteristics (Typ.)

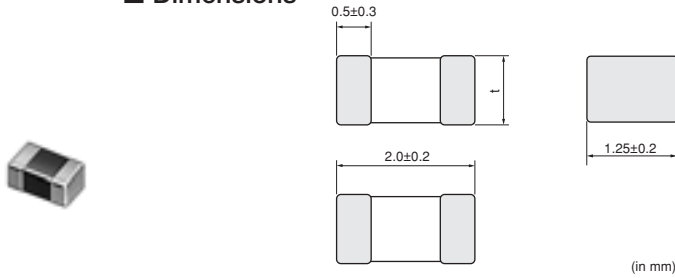


△Note • Please read rating and △CAUTION (for storage, operating, rating, soldering, mounting and handling) in this catalog to prevent smoking and/or burning, etc.
• This catalog has only typical specifications. Therefore, please approve our product specifications or transact the approval sheet for product specifications before ordering.



Bias Current Characteristics Improved

■ Dimensions



Dimension of t	Inductance: 1.0 to 2.2μH	0.85±0.2
	Inductance: 4.7 to 47μH	1.25±0.2

■ Packaging

Code	Packaging	Minimum Quantity
D	180mm Paper Tape	4000 *1
L	180mm Embossed Tape	3000 *2
J	330mm Paper Tape	10000 *1
K	330mm Embossed Tape	10000 *2
B	Bulk(Bag)	1000

*1: LQM21F (1.0 to 2.2μH)
*2: LQM21F (4.7 to 47μH)

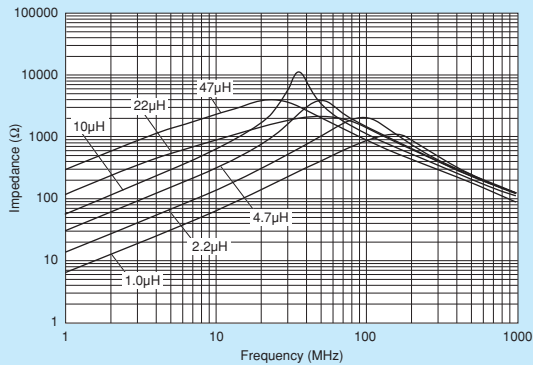
Refer to pages from p.87 to p.90 for mounting information.

■ Rated Value (□: packaging code)

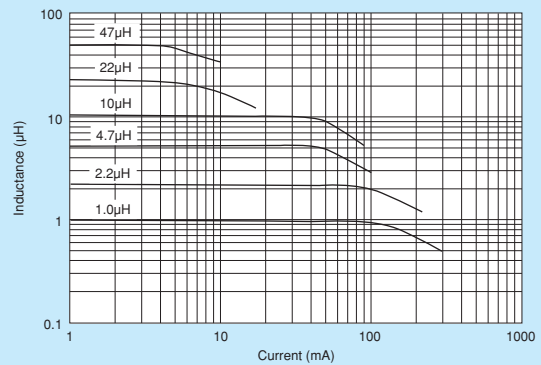
Part Number	Inductance	Test Frequency	Rated Current	DC Resistance	Self Resonance Frequency (min.)	
LQM21FN1R0N00□	1.0μH ±30%	1MHz	220mA	0.20ohm ±30%	105MHz	Kit
LQM21FN2R2N00□	2.2μH ±30%	1MHz	150mA	0.28ohm ±30%	70MHz	Kit
LQM21FN4R7N00□	4.7μH ±30%	1MHz	80mA	0.30ohm ±30%	25MHz	
LQM21FN100N00□	10μH ±30%	1MHz	60mA	0.50ohm ±30%	15MHz	
LQM21FN220N00□	22μH ±30%	1MHz	13mA	0.35ohm ±30%	15MHz	Kit
LQM21FN470N00□	47μH ±30%	1MHz	7mA	0.60ohm ±30%	7.5MHz	Kit

Class of Magnetic Shield: Magnetic shield of ferrite
Operating Temperature Range (Self-temperature rise is not included): -40°C to +85°C

■ Impedance-Frequency Characteristics (Typ.)



■ Inductance-Current Characteristics (Typ.)

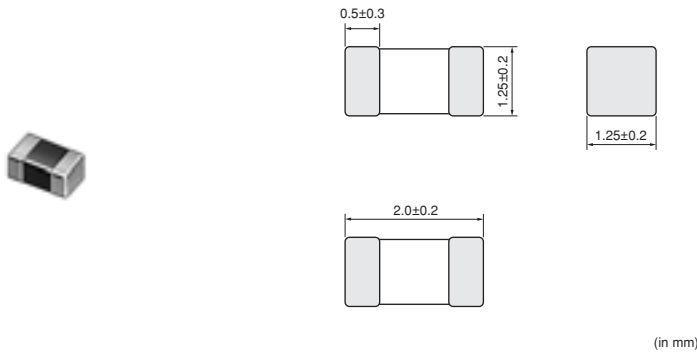


△Note • Please read rating and △CAUTION (for storage, operating, rating, soldering, mounting and handling) in this catalog to prevent smoking and/or burning, etc.
• This catalog has only typical specifications. Therefore, please approve our product specifications or transact the approval sheet for product specifications before ordering.



0805 Size, Large Current

■ Dimensions



■ Packaging

Code	Packaging	Minimum Quantity
L	180mm Embossed Tape	3000
B	Bulk(Bag)	1000

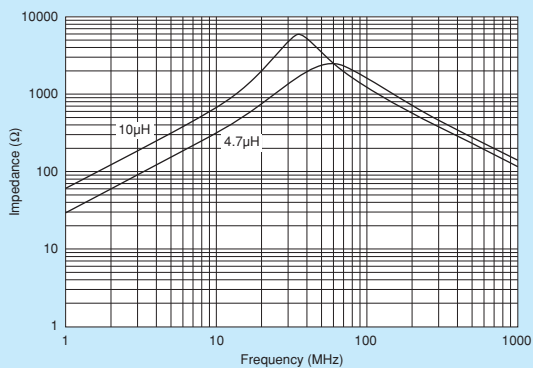
Refer to pages from p.87 to p.90 for mounting information.

■ Rated Value (□: packaging code)

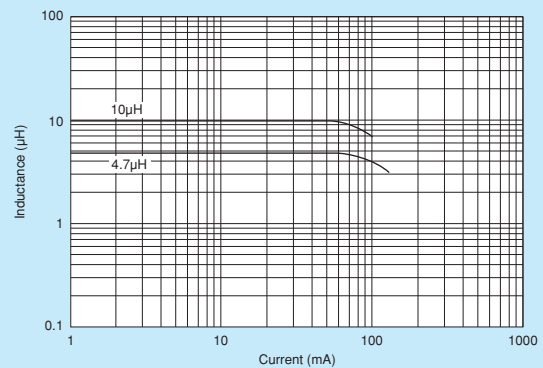
Part Number	Inductance	Test Frequency	Rated Current	DC Resistance	Self Resonance Frequency (min.)	
LQM21FN4R7M70□	4.7μH ±20%	1MHz	120mA	0.35ohm ±30%	25MHz	Kit
LQM21FN100M70□	10μH ±20%	1MHz	100mA	0.60ohm ±30%	15MHz	Kit

Class of Magnetic Shield: Magnetic shield of ferrite
 Operating Temperature Range (Self-temperature rise is not included): -55°C to +125°C

■ Impedance-Frequency Characteristics (Typ.)



■ Inductance-Current Characteristics (Typ.)

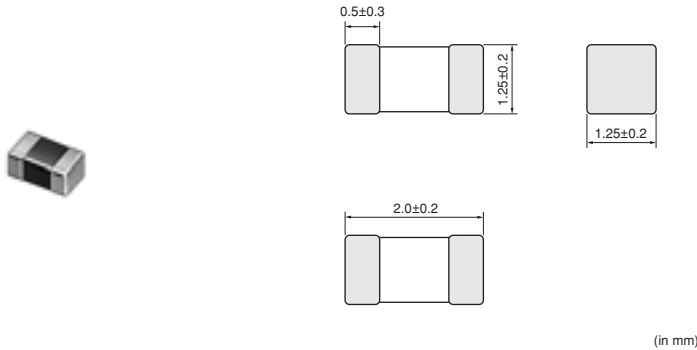


△Note • Please read rating and △CAUTION (for storage, operating, rating, soldering, mounting and handling) in this catalog to prevent smoking and/or burning, etc.
 • This catalog has only typical specifications. Therefore, please approve our product specifications or transact the approval sheet for product specifications before ordering.



0805 Size, Large Current, Low DC Resistance

■ Dimensions



■ Packaging

Code	Packaging	Minimum Quantity
L	180mm Embossed Tape	3000
K	330mm Embossed Tape	10000
B	Bulk(Bag)	1000

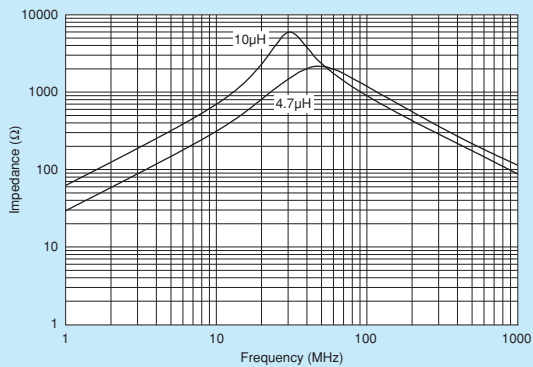
Refer to pages from p.87 to p.90 for mounting information.

■ Rated Value (□: packaging code)

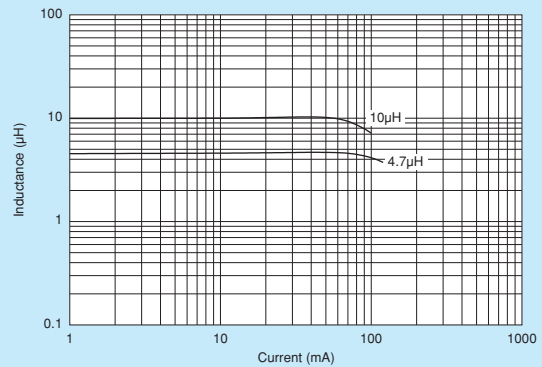
Part Number	Inductance	Test Frequency	Rated Current	DC Resistance	Self Resonance Frequency (min.)	
LQM21FN4R7M80□	4.7μH ±20%	1MHz	120mA	0.18ohm ±30%	25MHz	Kit
LQM21FN100M80□	10μH ±20%	1MHz	100mA	0.30ohm ±30%	15MHz	Kit

Class of Magnetic Shield: Magnetic shield of ferrite
 Operating Temperature Range (Self-temperature rise is not included): -55°C to +125°C

■ Impedance-Frequency Characteristics (Typ.)



■ Inductance-Current Characteristics (Typ.)

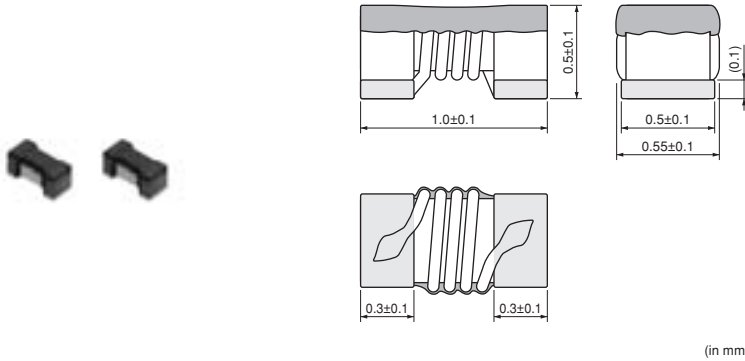


△Note • Please read rating and △CAUTION (for storage, operating, rating, soldering, mounting and handling) in this catalog to prevent smoking and/or burning, etc.
 • This catalog has only typical specifications. Therefore, please approve our product specifications or transact the approval sheet for product specifications before ordering.



For RF Choke, for Voltage Conversion

■ Dimensions



■ Packaging

Code	Packaging	Minimum Quantity
D	180mm Paper Tape	10000
B	Bulk (Bag)	500

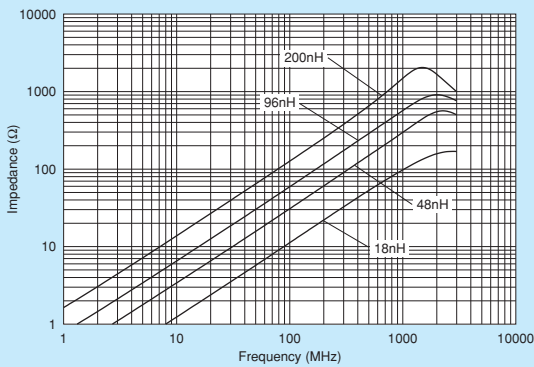
Refer to pages from p.87 to p.90 for mounting information.

■ Rated Value (□: packaging code)

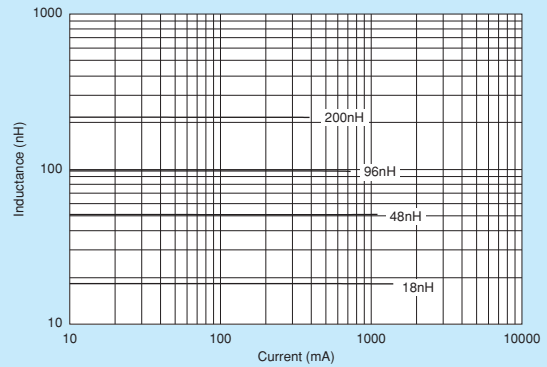
Part Number	Inductance	Test Frequency	Rated Current	Max. of DC Resistance	Self Resonance Frequency (min.)	
LQW15CN18NJ00□	18nH ±5%	100MHz	1400mA	0.046ohm	3000MHz	Kit
LQW15CN33NJ00□	33nH ±5%	100MHz	1300mA	0.065ohm	1800MHz	Kit
LQW15CN48NJ00□	48nH ±5%	100MHz	1100mA	0.078ohm	1400MHz	Kit
LQW15CN70NJ00□	70nH ±5%	100MHz	820mA	0.12ohm	1300MHz	Kit
LQW15CN96NJ00□	96nH ±5%	100MHz	730mA	0.16ohm	1100MHz	Kit
LQW15CNR13J00□	130nH ±5%	100MHz	640mA	0.23ohm	1000MHz	Kit
LQW15CNR16J00□	160nH ±5%	100MHz	480mA	0.33ohm	900MHz	Kit
LQW15CNR20J00□	200nH ±5%	100MHz	390mA	0.47ohm	800MHz	Kit

Class of Magnetic Shield: No magnetic shield
 Operating Temperature Range (Self-temperature rise is included): -55°C to +135°C
 Operating Temperature Range (Self-temperature rise is not included): -55°C to +125°C
 Only for reflow soldering.

■ Impedance-Frequency Characteristics (Typ.)



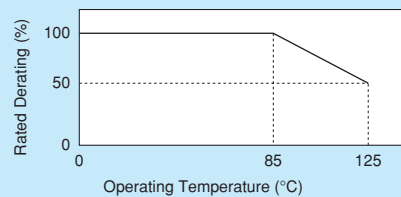
■ Inductance-Current Characteristics (Typ.)



■ Notice (Rating)

In operating temperature exceeding +85°C, derating of current is necessary for LQW15C series. Please apply the derating curve shown in chart according to the operating temperature.

Derating of Rated Current



⚠Note • Please read rating and ⚠CAUTION (for storage, operating, rating, soldering, mounting and handling) in this catalog to prevent smoking and/or burning, etc.
 • This catalog has only typical specifications. Therefore, please approve our product specifications or transact the approval sheet for product specifications before ordering.

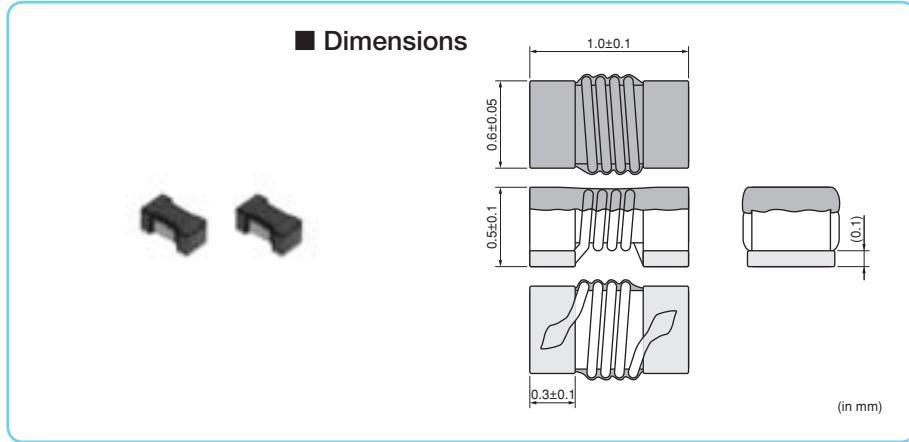
Inductor for Power Lines (Power Inductor)
 Wire Wound Magnetic Type for Choke

Inductor for Low Frequency Circuits

RF Inductor



0402 Size, for RF choke, for Voltage Conversion



■ Packaging

Code	Packaging	Minimum Quantity
D	180mm Paper Tape	10000
B	Bulk(Bag)	500

Refer to pages from p.87 to p.90 for mounting information.

■ Rated Value (□: packaging code)

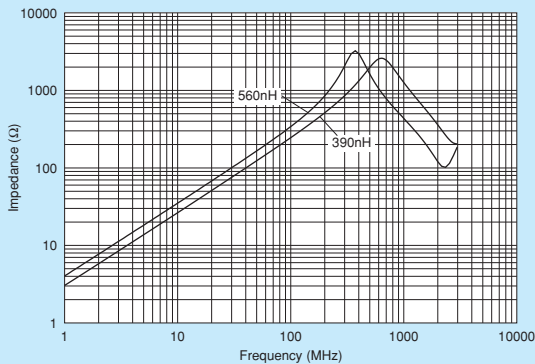
Part Number	Inductance	Test Frequency	Rated Current	Max. of DC Resistance	Self Resonance Frequency (min.)	
LQW15CNR39K10□	390nH ±10%	100MHz	370mA	0.62ohm	450MHz	New Kit
LQW15CNR56K10□	560nH ±10%	10MHz	300mA	0.71ohm	300MHz	New Kit

Class of Magnetic Shield: No magnetic shield

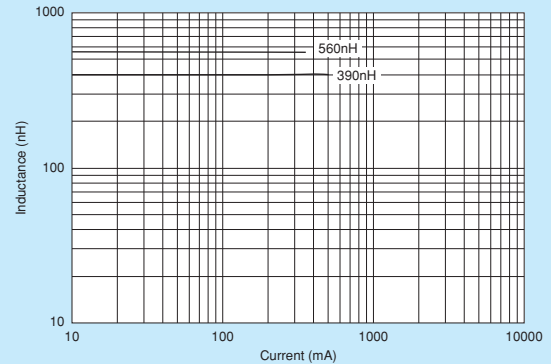
Operating Temperature Range (Self-temperature rise is not included): -55°C to +125°C

Only for reflow soldering.

■ Impedance-Frequency Characteristics (Typ.)



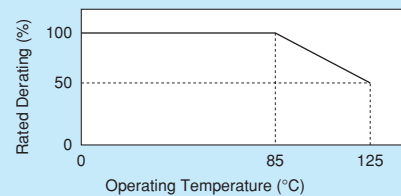
■ Inductance-Current Characteristics (Typ.)



■ Notice (Rating)

In operating temperature exceeding +85°C, derating of current is necessary for LQW15C series. Please apply the derating curve shown in chart according to the operating temperature.

Derating of Rated Current



⚠Note • Please read rating and ⚠CAUTION (for storage, operating, rating, soldering, mounting and handling) in this catalog to prevent smoking and/or burning, etc.
• This catalog has only typical specifications. Therefore, please approve our product specifications or transact the approval sheet for product specifications before ordering.

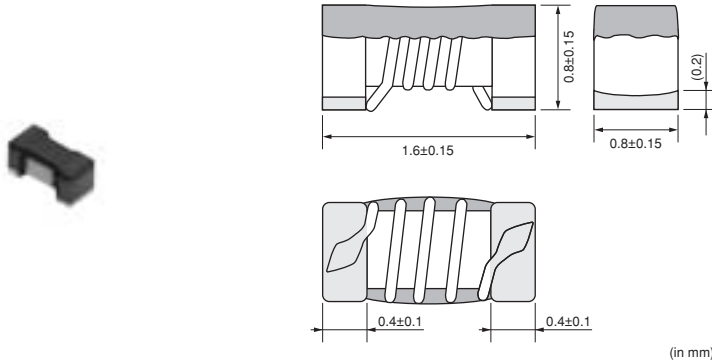


LQW18C Series (0603 Size)

0603 Size, for FM/TV Band Choke, for Voltage Conversion

Inductor for Power Lines (Power Inductor)
Wire Wound Magnetic Type for Choke

■ Dimensions



■ Packaging

Code	Packaging	Minimum Quantity
D	180mm Paper Tape	4000
B	Bulk(Bag)	500

Refer to pages from p.87 to p.90 for mounting information.

■ Rated Value (□: packaging code)

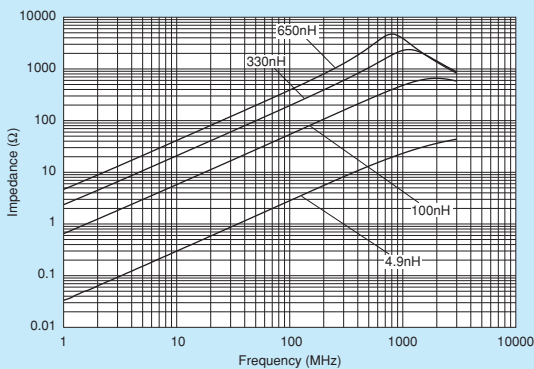
Part Number	Inductance	Test Frequency	Rated Current	Max. of DC Resistance	Self Resonance Frequency (min.)	
LQW18CN4N9D00□	4.9nH ±0.5nH	10MHz	2600mA	0.015ohm	2300MHz	Kit
LQW18CN15NJ00□	15nH ±5%	10MHz	2200mA	0.025ohm	2000MHz	Kit
LQW18CN33NJ00□	33nH ±5%	10MHz	1700mA	0.035ohm	1800MHz	Kit
LQW18CN55NJ00□	55nH ±5%	10MHz	1500mA	0.045ohm	1600MHz	Kit
LQW18CN85NJ00□	85nH ±5%	10MHz	1400mA	0.060ohm	1380MHz	Kit
LQW18CNR10K00□	100nH ±10%	10MHz	1000mA	0.10ohm	1260MHz	Kit
LQW18CNR12J00□	120nH ±5%	10MHz	1100mA	0.085ohm	1200MHz	Kit
LQW18CNR16J00□	160nH ±5%	10MHz	1000mA	0.10ohm	900MHz	Kit
LQW18CNR21J00□	210nH ±5%	10MHz	800mA	0.15ohm	720MHz	Kit
LQW18CNR27J00□	270nH ±5%	10MHz	750mA	0.16ohm	660MHz	Kit
LQW18CNR33J00□	330nH ±5%	10MHz	630mA	0.25ohm	600MHz	Kit
LQW18CNR39J00□	390nH ±5%	10MHz	620mA	0.28ohm	570MHz	Kit
LQW18CNR47J00□	470nH ±5%	10MHz	500mA	0.45ohm	555MHz	Kit
LQW18CNR56J00□	560nH ±5%	10MHz	450mA	0.48ohm	540MHz	Kit
LQW18CNR65J00□	650nH ±5%	10MHz	430mA	0.52ohm	510MHz	Kit

Class of Magnetic Shield: No magnetic shield
 Operating Temperature Range (Self-temperature rise is not included): -40°C to +85°C
 Only for reflow soldering.

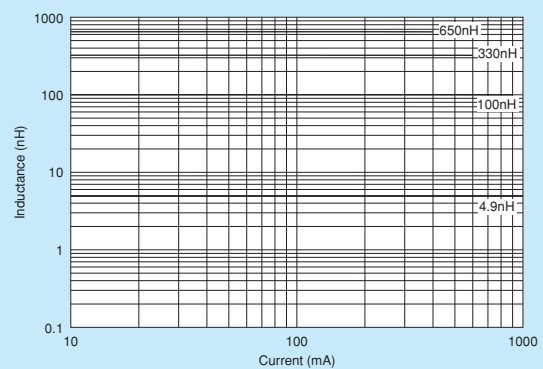
Inductor for Low Frequency Circuits

RF Inductor

■ Impedance-Frequency Characteristics (Typ.)



■ Inductance-Current Characteristics (Typ.)

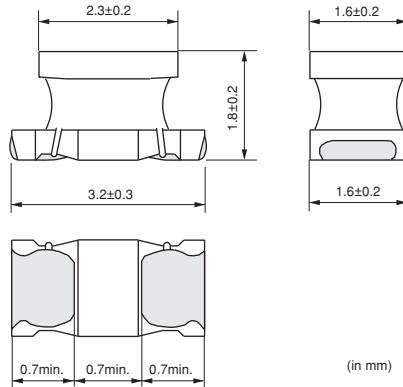


△Note • Please read rating and △CAUTION (for storage, operating, rating, soldering, mounting and handling) in this catalog to prevent smoking and/or burning, etc.
 • This catalog has only typical specifications. Therefore, please approve our product specifications or transact the approval sheet for product specifications before ordering.



1206 Size

■ Dimensions



■ Packaging

Code	Packaging	Minimum Quantity
L	180mm Embossed Tape	2000
K	330mm Embossed Tape	7500

Refer to pages from p.87 to p.90 for mounting information.

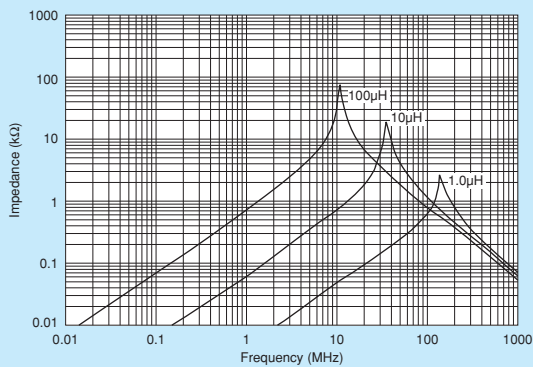
■ Rated Value (□: packaging code)

Part Number	Inductance	Test Frequency	Rated Current	DC Resistance	Self Resonance Frequency (min.)
LQH31CNR12M03□	0.12μH ±20%	1MHz	970mA	0.08ohm ±40%	250MHz
LQH31CNR22M03□	0.22μH ±20%	1MHz	850mA	0.1ohm ±40%	250MHz
LQH31CNR47M03□	0.47μH ±20%	1MHz	700mA	0.15ohm ±40%	180MHz
LQH31CN1R0M03□	1.0μH ±20%	1MHz	510mA	0.28ohm ±30%	100MHz
LQH31CN2R2M03□	2.2μH ±20%	1MHz	430mA	0.41ohm ±30%	50MHz
LQH31CN4R7M03□	4.7μH ±20%	1MHz	340mA	0.65ohm ±30%	31MHz
LQH31CN100K03□	10μH ±10%	1MHz	230mA	1.3ohm ±30%	20MHz
LQH31CN220K03□	22μH ±10%	1MHz	160mA	3.0ohm ±30%	14MHz
LQH31CN470K03□	47μH ±10%	1MHz	100mA	8.0ohm ±30%	10MHz
LQH31CN101K03□	100μH ±10%	1MHz	80mA	12ohm ±30%	7MHz

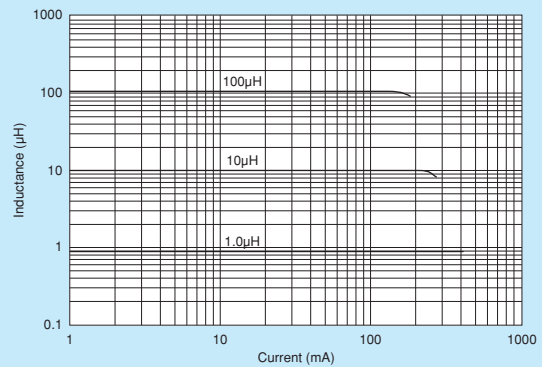
Class of Magnetic Shield: No magnetic shield

Operating Temperature Range (Self-temperature rise is not included): -40°C to +85°C

■ Impedance-Frequency Characteristics (Typ.)



■ Inductance-Current Characteristics (Typ.)



△Note • Please read rating and △CAUTION (for storage, operating, rating, soldering, mounting and handling) in this catalog to prevent smoking and/or burning, etc.
• This catalog has only typical specifications. Therefore, please approve our product specifications or transact the approval sheet for product specifications before ordering.

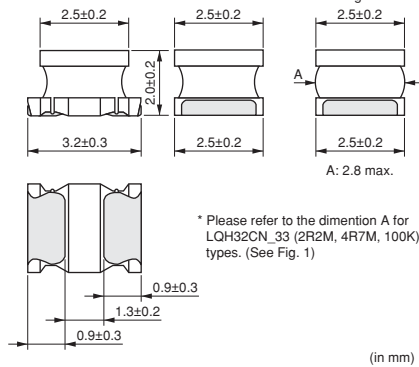
Wire Wound Magnetic Type for Choke

LQH32C_23/LQH32C_33 Series (1210 Size)



1210 Size

■ Dimensions



■ Packaging

Code	Packaging	Minimum Quantity
L	180mm Embossed Tape	2000
K	330mm Embossed Tape	7500

Refer to pages from p.87 to p.90 for mounting information.

■ Rated Value (□: packaging code)

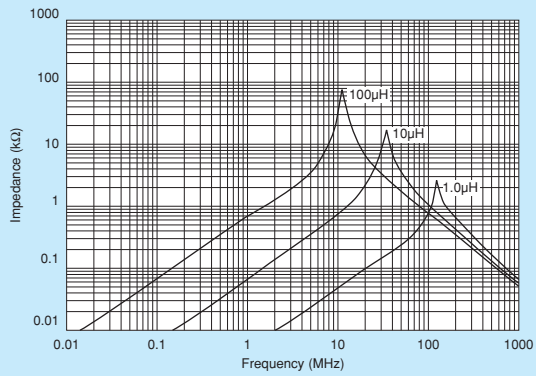
Part Number	Inductance	Test Frequency	Rated Current	DC Resistance	Self Resonance Frequency (min.)	
LQH32CN1R0M23□	1.0μH ±20%	1MHz	800mA	0.09ohm ±30%	96MHz	Kit
LQH32CN2R2M23□	2.2μH ±20%	1MHz	600mA	0.13ohm ±30%	64MHz	Kit
LQH32CN4R7M23□	4.7μH ±20%	1MHz	450mA	0.2ohm ±30%	43MHz	Kit
LQH32CN100K23□	10μH ±10%	1MHz	300mA	0.44ohm ±30%	26MHz	Kit
LQH32CN220K23□	22μH ±10%	1MHz	250mA	0.71ohm ±30%	19MHz	Kit
LQH32CN470K23□	47μH ±10%	1MHz	170mA	1.3ohm ±30%	15MHz	Kit
LQH32CN101K23□	100μH ±10%	1MHz	100mA	3.5ohm ±30%	10MHz	Kit
LQH32CN221K23□	220μH ±10%	1MHz	70mA	8.4ohm ±30%	6.8MHz	Kit
LQH32CN331K23□	330μH ±10%	1MHz	60mA	10ohm ±30%	5.6MHz	Kit
LQH32CN391K23□	390μH ±10%	1MHz	60mA	17ohm ±30%	5MHz	Kit
LQH32CN471K23□	470μH ±10%	1kHz	60mA	19ohm ±30%	5MHz	Kit
LQH32CN561K23□	560μH ±10%	1kHz	60mA	22ohm ±30%	5MHz	Kit
LQH32CNR15M33□	0.15μH ±20%	1MHz	1450mA	0.028ohm ±30%	400MHz	Kit
LQH32CNR27M33□	0.27μH ±20%	1MHz	1250mA	0.034ohm ±30%	250MHz	Kit
LQH32CNR47M33□	0.47μH ±20%	1MHz	1100mA	0.042ohm ±30%	150MHz	Kit
LQH32CN1R0M33□	1.0μH ±20%	1MHz	1000mA	0.06ohm ±30%	100MHz	Kit
LQH32CN2R2M33□	2.2μH ±20%	1MHz	790mA	0.097ohm ±30%	64MHz	Kit
LQH32CN4R7M33□	4.7μH ±20%	1MHz	650mA	0.15ohm ±30%	43MHz	Kit
LQH32CN100K33□	10μH ±10%	1MHz	450mA	0.3ohm ±30%	26MHz	Kit

Class of Magnetic Shield: No magnetic shield
 Operating Temperature Range (Self-temperature rise is not included): -40°C to +85°C

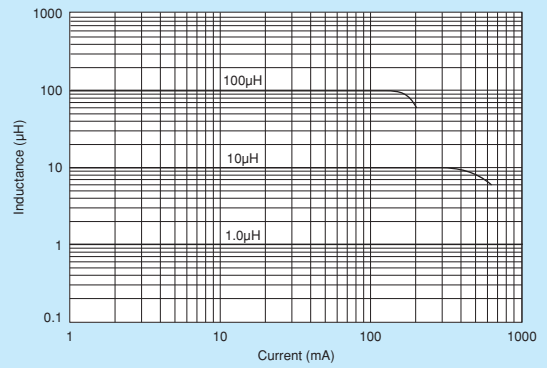
Continued on the following page.

△Note • Please read rating and △CAUTION (for storage, operating, rating, soldering, mounting and handling) in this catalog to prevent smoking and/or burning, etc.
 • This catalog has only typical specifications. Therefore, please approve our product specifications or transact the approval sheet for product specifications before ordering.

■ Impedance-Frequency Characteristics (Typ.)



■ Inductance-Current Characteristics (Typ.)



Wire Wound Magnetic Type for Choke Inductor for Power Lines (Power Inductor)

Inductor for Low Frequency Circuits

RF Inductor

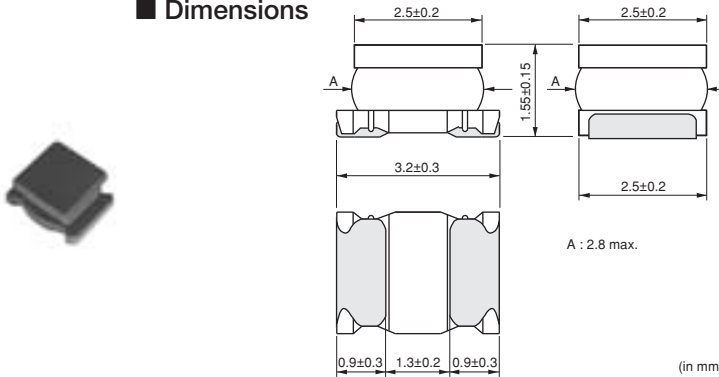
⚠Note • Please read rating and ⚠CAUTION (for storage, operating, rating, soldering, mounting and handling) in this catalog to prevent smoking and/or burning, etc.
 • This catalog has only typical specifications. Therefore, please approve our product specifications or transact the approval sheet for product specifications before ordering.



1210 Size, 1.7mm max. Thickness

Inductor for Power Lines (Power Inductor)
Wire Wound Magnetic Type for Choke

■ Dimensions



■ Packaging

Code	Packaging	Minimum Quantity
L	180mm Embossed Tape	2000
K	330mm Embossed Tape	7500

Refer to pages from p.87 to p.90 for mounting information.

Inductor for Low Frequency Circuits

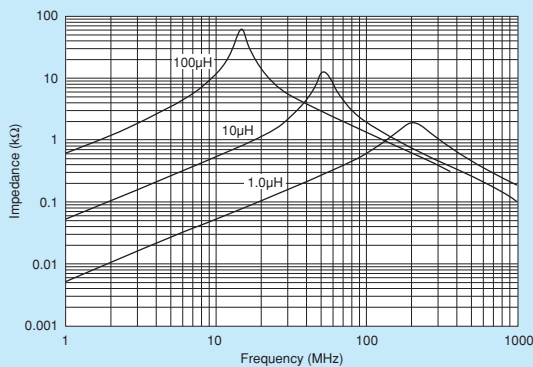
■ Rated Value (□: packaging code)

Part Number	Inductance	Test Frequency	Rated Current	DC Resistance	Self Resonance Frequency (min.)	
LQH32CN1R0M53□	1.0μH ±20%	1MHz	1000mA	0.060ohm ±30%	100MHz	Kit
LQH32CN2R2M53□	2.2μH ±20%	1MHz	790mA	0.097ohm ±30%	64MHz	Kit
LQH32CN3R3M53□	3.3μH ±20%	1MHz	710mA	0.12ohm ±30%	50MHz	
LQH32CN4R7M53□	4.7μH ±20%	1MHz	650mA	0.15ohm ±30%	43MHz	Kit
LQH32CN6R8M53□	6.8μH ±20%	1MHz	540mA	0.25ohm ±30%	32MHz	
LQH32CN100K53□	10μH ±10%	1MHz	450mA	0.30ohm ±30%	26MHz	Kit
LQH32CN150K53□	15μH ±10%	1MHz	300mA	0.58ohm ±30%	26MHz	Kit
LQH32CN220K53□	22μH ±10%	1MHz	250mA	0.71ohm ±30%	19MHz	Kit
LQH32CN330K53□	33μH ±10%	1MHz	200mA	1.1ohm ±30%	17MHz	Kit
LQH32CN470K53□	47μH ±10%	1MHz	170mA	1.3ohm ±30%	15MHz	Kit
LQH32CN680K53□	68μH ±10%	1MHz	130mA	2.2ohm ±30%	12MHz	Kit
LQH32CN101K53□	100μH ±10%	1MHz	100mA	3.5ohm ±30%	10MHz	Kit

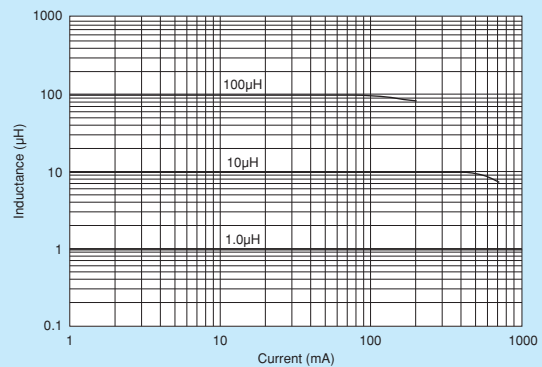
Class of Magnetic Shield: No magnetic shield

Operating Temperature Range (Self-temperature rise is not included): -40°C to +85°C

■ Impedance-Frequency Characteristics (Typ.)



■ Inductance-Current Characteristics (Typ.)

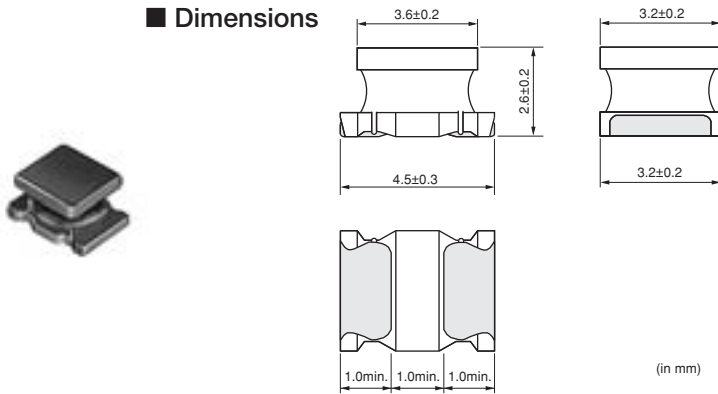


△Note • Please read rating and △CAUTION (for storage, operating, rating, soldering, mounting and handling) in this catalog to prevent smoking and/or burning, etc.
• This catalog has only typical specifications. Therefore, please approve our product specifications or transact the approval sheet for product specifications before ordering.



1812 Size

■ Dimensions



■ Packaging

Code	Packaging	Minimum Quantity
L	180mm Embossed Tape	500

Refer to pages from p.87 to p.90 for mounting information.

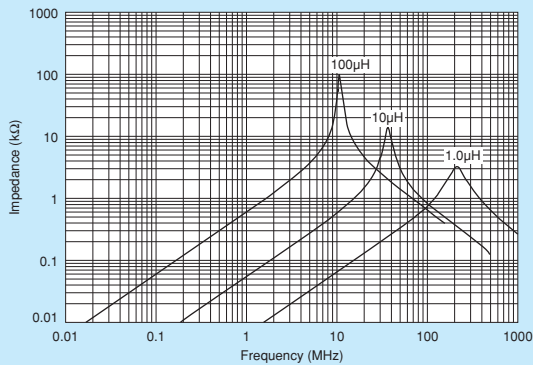
■ Rated Value (□: packaging code)

Part Number	Inductance	Test Frequency	Rated Current	Max. of DC Resistance	Self Resonance Frequency (min.)	
LQH43CN1R0M03□	1.0μH ±20%	1MHz	1080mA	0.08ohm	100MHz	Kit
LQH43CN1R5M03□	1.5μH ±20%	1MHz	1000mA	0.09ohm	85MHz	Kit
LQH43CN2R2M03□	2.2μH ±20%	1MHz	900mA	0.11ohm	60MHz	Kit
LQH43CN3R3M03□	3.3μH ±20%	1MHz	800mA	0.13ohm	47MHz	Kit
LQH43CN4R7M03□	4.7μH ±20%	1MHz	750mA	0.15ohm	35MHz	Kit
LQH43CN6R8M03□	6.8μH ±20%	1MHz	720mA	0.20ohm	30MHz	Kit
LQH43CN100K03□	10μH ±10%	1MHz	650mA	0.24ohm	23MHz	Kit
LQH43CN150K03□	15μH ±10%	1MHz	570mA	0.32ohm	20MHz	Kit
LQH43CN220K03□	22μH ±10%	1MHz	420mA	0.6ohm	15MHz	Kit
LQH43CN330K03□	33μH ±10%	1MHz	310mA	1.0ohm	12MHz	Kit
LQH43CN470K03□	47μH ±10%	1MHz	280mA	1.1ohm	10MHz	Kit
LQH43CN680K03□	68μH ±10%	1MHz	220mA	1.7ohm	8.4MHz	Kit
LQH43CN101K03□	100μH ±10%	1MHz	190mA	2.2ohm	6.8MHz	Kit
LQH43CN151K03□	150μH ±10%	1MHz	130mA	3.5ohm	5.5MHz	Kit
LQH43CN221K03□	220μH ±10%	1MHz	110mA	4.0ohm	4.5MHz	Kit
LQH43CN331K03□	330μH ±10%	1MHz	100mA	6.8ohm	3.6MHz	Kit
LQH43CN471K03□	470μH ±10%	1kHz	90mA	8.5ohm	3.0MHz	Kit

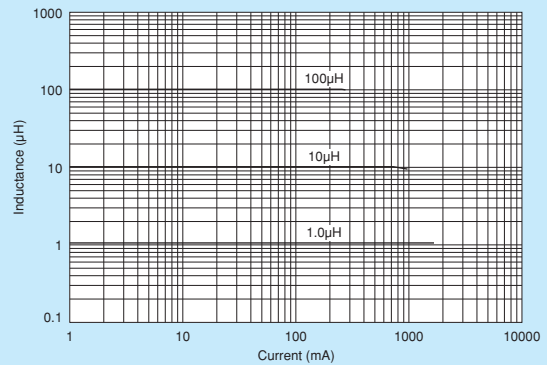
Class of Magnetic Shield: No magnetic shield

Operating Temperature Range (Self-temperature rise is not included): -40°C to +85°C

■ Impedance-Frequency Characteristics (Typ.)



■ Inductance-Current Characteristics (Typ.)

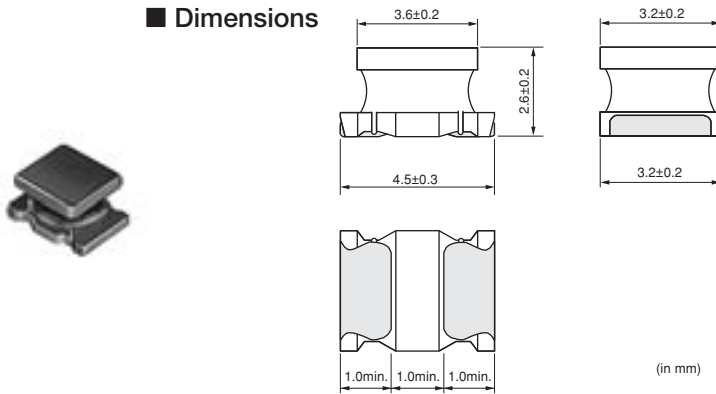


△Note • Please read rating and △CAUTION (for storage, operating, rating, soldering, mounting and handling) in this catalog to prevent smoking and/or burning, etc.
• This catalog has only typical specifications. Therefore, please approve our product specifications or transact the approval sheet for product specifications before ordering.



Low DC Resistance Type

■ Dimensions



■ Packaging

Code	Packaging	Minimum Quantity
L	180mm Embossed Tape	500

Refer to pages from p.87 to p.90 for mounting information.

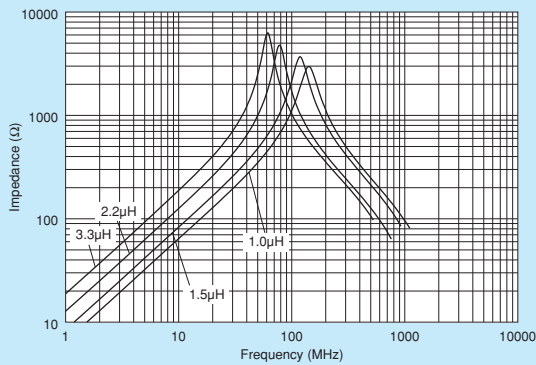
■ Rated Value (□: packaging code)

Part Number	Inductance	Test Frequency	Rated Current	DC Resistance	Self Resonance Frequency (min.)	
LQH43CNR56M33□	0.56μH ±20%	1MHz	2950mA	0.023ohm ±30%	160MHz	Kit
LQH43CNR82M33□	0.82μH ±20%	1MHz	2800mA	0.027ohm ±30%	130MHz	Kit
LQH43CN1R0M33□	1.0μH ±20%	1MHz	2600mA	0.032ohm ±30%	110MHz	Kit
LQH43CN1R5M33□	1.5μH ±20%	1MHz	2450mA	0.036ohm ±30%	80MHz	Kit
LQH43CN1R8M33□	1.8μH ±20%	1MHz	2300mA	0.042ohm ±30%	70MHz	Kit
LQH43CN2R2M33□	2.2μH ±20%	1MHz	2100mA	0.047ohm ±30%	60MHz	Kit
LQH43CN2R7M33□	2.7μH ±20%	1MHz	1800mA	0.053ohm ±30%	50MHz	Kit
LQH43CN3R3M33□	3.3μH ±20%	1MHz	1650mA	0.076ohm ±30%	47MHz	Kit
LQH43CN3R9M33□	3.9μH ±20%	1MHz	1600mA	0.082ohm ±30%	40MHz	Kit

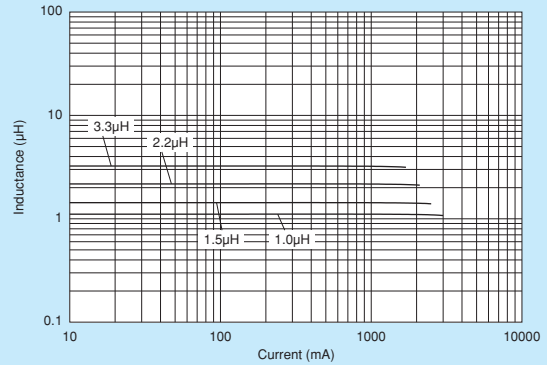
Class of Magnetic Shield: No magnetic shield

Operating Temperature Range (Self-temperature rise is not included): -40°C to +85°C

■ Impedance-Frequency Characteristics (Typ.)



■ Inductance-Current Characteristics (Typ.)

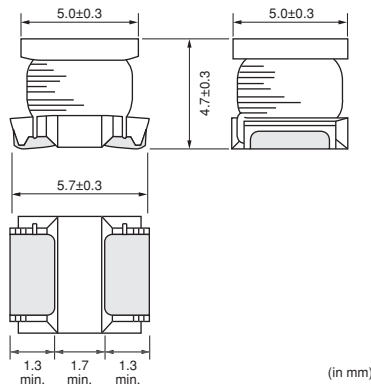


⚠Note • Please read rating and ⚠CAUTION (for storage, operating, rating, soldering, mounting and handling) in this catalog to prevent smoking and/or burning, etc.
• This catalog has only typical specifications. Therefore, please approve our product specifications or transact the approval sheet for product specifications before ordering.



2220 Size, Large Current

■ Dimensions



(in mm)

■ Packaging

Code	Packaging	Minimum Quantity
L	180mm Embossed Tape	350
K	330mm Embossed Tape	1500

Refer to pages from p.87 to p.90 for mounting information.

■ Rated Value (□: packaging code)

Part Number	Inductance	Test Frequency	Rated Current	DC Resistance	Self Resonance Frequency (min.)
LQH55DNR12M03□	0.12μH ±20%	1MHz	6000mA	0.007ohm ±40%	450MHz
LQH55DNR27M03□	0.27μH ±20%	1MHz	5300mA	0.010ohm ±40%	300MHz
LQH55DNR47M03□	0.47μH ±20%	1MHz	4800mA	0.013ohm ±40%	200MHz
LQH55DN1R0M03□	1.0μH ±20%	1MHz	4000mA	0.019ohm ±40%	150MHz
LQH55DN1R5M03□	1.5μH ±20%	1MHz	3700mA	0.022ohm ±40%	110MHz
LQH55DN2R2M03□	2.2μH ±20%	1MHz	3200mA	0.029ohm ±40%	80MHz
LQH55DN3R3M03□	3.3μH ±20%	1MHz	2900mA	0.036ohm ±40%	40MHz
LQH55DN4R7M03□	4.7μH ±20%	1MHz	2700mA	0.041ohm ±40%	30MHz
LQH55DN6R8M03□	6.8μH ±20%	1MHz	2000mA	0.074ohm ±40%	25MHz
LQH55DN100M03□	10μH ±20%	1MHz	1700mA	0.093ohm ±40%	20MHz
LQH55DN150M03□	15μH ±20%	1MHz	1400mA	0.15ohm ±40%	17MHz
LQH55DN220M03□	22μH ±20%	1MHz	1200mA	0.19ohm ±40%	15MHz
LQH55DN330M03□	33μH ±20%	1MHz	900mA	0.32ohm ±40%	12MHz
LQH55DN470M03□	47μH ±20%	1MHz	800mA	0.40ohm ±40%	10MHz
LQH55DN680M03□	68μH ±20%	1MHz	640mA	0.67ohm ±40%	7.6MHz
LQH55DN101M03□	100μH ±20%	100kHz	560mA	0.86ohm ±40%	6.5MHz
LQH55DN151M03□	150μH ±20%	100kHz	420mA	1.9ohm ±40%	5.0MHz
LQH55DN221M03□	220μH ±20%	100kHz	320mA	2.4ohm ±40%	4.0MHz
LQH55DN331M03□	330μH ±20%	100kHz	270mA	4.4ohm ±40%	3.1MHz
LQH55DN471M03□	470μH ±20%	100kHz	240mA	5.4ohm ±40%	2.4MHz
LQH55DN681M03□	680μH ±20%	100kHz	190mA	8.1ohm ±40%	1.9MHz
LQH55DN102M03□	1000μH ±20%	10kHz	150mA	10.3ohm ±40%	1.7MHz
LQH55DN222M03□	2200μH ±20%	10kHz	100mA	21.5ohm ±40%	1.2MHz
LQH55DN472M03□	4700μH ±20%	10kHz	70mA	43.6ohm ±40%	0.8MHz
LQH55DN103M03□	10000μH ±20%	10kHz	50mA	100ohm ±40%	0.5MHz

Class of Magnetic Shield: No magnetic shield

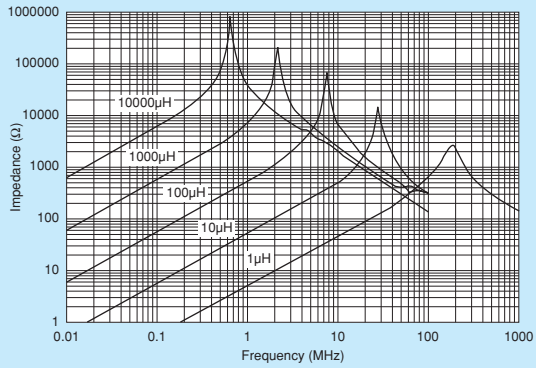
Operating Temperature Range (Self-temperature rise is not included): -40°C to +80°C

Only for reflow soldering.

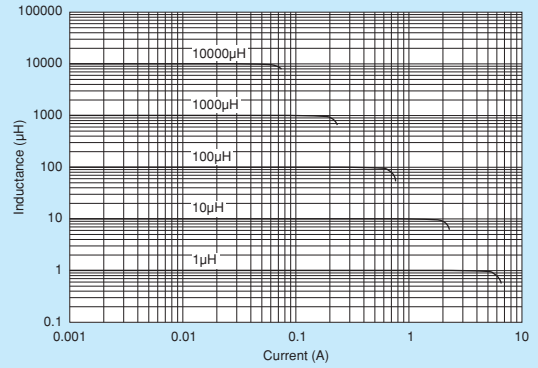
Continued on the following page.

△Note • Please read rating and △CAUTION (for storage, operating, rating, soldering, mounting and handling) in this catalog to prevent smoking and/or burning, etc.
• This catalog has only typical specifications. Therefore, please approve our product specifications or transact the approval sheet for product specifications before ordering.

■ Impedance-Frequency Characteristics (Typ.)



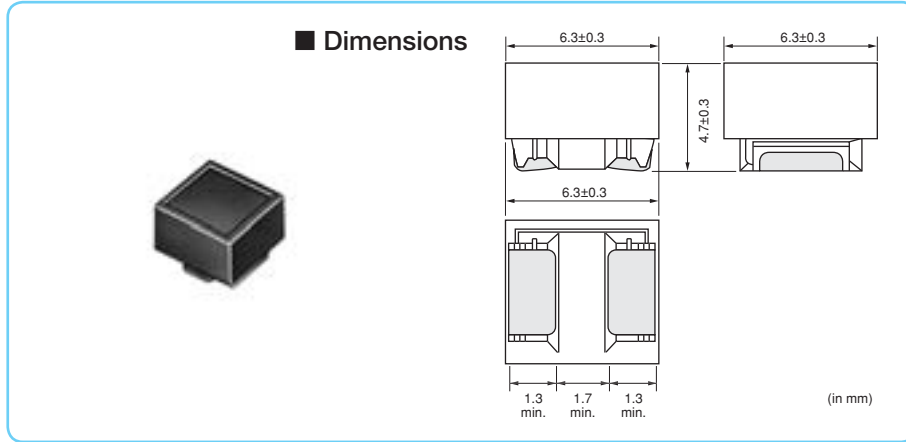
■ Inductance-Current Characteristics (Typ.)



⚠Note • Please read rating and ⚠CAUTION (for storage, operating, rating, soldering, mounting and handling) in this catalog to prevent smoking and/or burning, etc.
• This catalog has only typical specifications. Therefore, please approve our product specifications or transact the approval sheet for product specifications before ordering.



2525 Size, Closed Magnetic Circuit



■ Packaging

Code	Packaging	Minimum Quantity
L	180mm Embossed Tape	350
K	330mm Embossed Tape	1500

Refer to pages from p.87 to p.90 for mounting information.

■ Rated Value (□: packaging code)

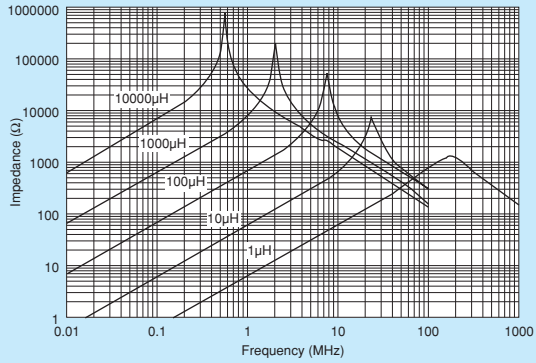
Part Number	Inductance	Test Frequency	Rated Current	DC Resistance	Self Resonance Frequency (min.)
LQH66SNR27M03□	0.27μH ±20%	1MHz	6000mA	0.007ohm ±40%	300MHz
LQH66SNR68M03□	0.68μH ±20%	1MHz	5300mA	0.010ohm ±40%	180MHz
LQH66SN1R0M03□	1.0μH ±20%	1MHz	4700mA	0.013ohm ±40%	150MHz
LQH66SN1R5M03□	1.5μH ±20%	1MHz	3800mA	0.016ohm ±40%	110MHz
LQH66SN2R2M03□	2.2μH ±20%	1MHz	3300mA	0.019ohm ±40%	80MHz
LQH66SN3R3M03□	3.3μH ±20%	1MHz	2600mA	0.022ohm ±40%	40MHz
LQH66SN4R7M03□	4.7μH ±20%	1MHz	2200mA	0.025ohm ±40%	30MHz
LQH66SN6R8M03□	6.8μH ±20%	1MHz	1800mA	0.029ohm ±40%	25MHz
LQH66SN100M03□	10μH ±20%	1MHz	1600mA	0.036ohm ±40%	20MHz
LQH66SN150M03□	15μH ±20%	1MHz	1300mA	0.069ohm ±40%	17MHz
LQH66SN220M03□	22μH ±20%	1MHz	1100mA	0.087ohm ±40%	15MHz
LQH66SN330M03□	33μH ±20%	1MHz	860mA	0.14ohm ±40%	12MHz
LQH66SN470M03□	47μH ±20%	1MHz	760mA	0.17ohm ±40%	10MHz
LQH66SN680M03□	68μH ±20%	1MHz	600mA	0.29ohm ±40%	7.6MHz
LQH66SN101M03□	100μH ±20%	100kHz	520mA	0.36ohm ±40%	6.5MHz
LQH66SN151M03□	150μH ±20%	100kHz	420mA	0.63ohm ±40%	5.0MHz
LQH66SN221M03□	220μH ±20%	100kHz	350mA	0.79ohm ±40%	4.0MHz
LQH66SN331M03□	330μH ±20%	100kHz	280mA	1.8ohm ±40%	3.2MHz
LQH66SN471M03□	470μH ±20%	100kHz	240mA	2.2ohm ±40%	2.5MHz
LQH66SN681M03□	680μH ±20%	100kHz	200mA	3.9ohm ±40%	2.0MHz
LQH66SN102M03□	1000μH ±20%	10kHz	160mA	4.9ohm ±40%	1.7MHz
LQH66SN222M03□	2200μH ±20%	10kHz	100mA	9.4ohm ±40%	1.2MHz
LQH66SN472M03□	4700μH ±20%	10kHz	70mA	19.5ohm ±40%	0.8MHz
LQH66SN103M03□	10000μH ±20%	10kHz	50mA	39.7ohm ±40%	0.5MHz

Class of Magnetic Shield: Magnetic shield of ferrite
 Operating Temperature Range (Self-temperature rise is not included): -40°C to +80°C
 Only for reflow soldering.

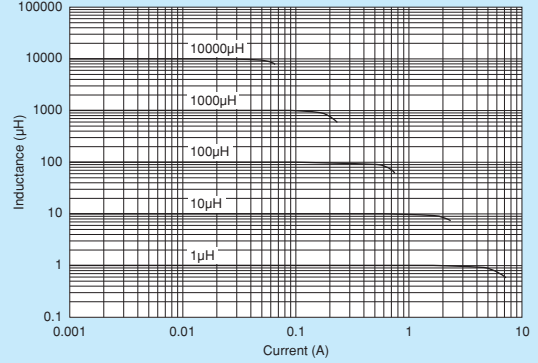
Continued on the following page.

△Note • Please read rating and △CAUTION (for storage, operating, rating, soldering, mounting and handling) in this catalog to prevent smoking and/or burning, etc.
 • This catalog has only typical specifications. Therefore, please approve our product specifications or transact the approval sheet for product specifications before ordering.

■ Impedance-Frequency Characteristics (Typ.)



■ Inductance-Current Characteristics (Typ.)



⚠Note • Please read rating and ⚠CAUTION (for storage, operating, rating, soldering, mounting and handling) in this catalog to prevent smoking and/or burning, etc.
• This catalog has only typical specifications. Therefore, please approve our product specifications or transact the approval sheet for product specifications before ordering.

⚠ Caution

● Rating

Do not use products beyond the rated current as this may create excessive heat.

Notice

● Storage and Operating Condition

<Operating Environment>

Do not use products in chemical atmosphere such as chlorine gas, acid or sulfide gas.

<Storage Requirements>

1. Storage Period

LQM series should be used within 6 months; the other products should be used within 12 months. Check solderability if this period is exceeded.

2. Storage Conditions

(1) Store products in a warehouse in compliance with the following conditions:

Temperature: -10 to +40 degrees C.

Humidity: 15 to 85% (relative humidity)

Do not subject products to rapid changes in temperature and humidity.

Do not store them in chemical atmosphere such as one containing sulfuric acid gas or alkaline gas.

This will prevent electrode oxidation which causes poor solderability and possible corrosion of inductors.

(2) Do not store products in bulk packaging to prevent collision among inductors which causes core chipping and wire breakage.

(3) Store products on pallets to protect from humidity, dust, etc.

(4) Avoid heat shock, vibration, direct sunlight, etc.

● Handling

This item is designed to have sufficient strength, but handle with care to avoid chipping or breaking its ceramic structure.

LQW_C series

- To prevent breaking the wire, avoid touching with sharp material, such as tweezers or other material such as bristles of cleaning brush, to the wire wound portion.
- To prevent breaking the core, avoid applying excessive mechanical shock to products mounted on the board.
- In some mounting machines, when picking up components, support pin pushes up the components from the bottom of base tape. In this case, please remove the support pin. The support pin may damage the components and break wire.
- In rare case, the laser recognition can not recognize this component. Please contact us when you use laser recognition. (There is no problem with the permeation and reflection type.)

- The product temperature rises about 40°C maximum when the permissible current is applied to LQW15C/LQW18C. Please care heatproof temperatures of the substrate and parts in the surrounding.

LQH_C/D/H/M/N/P series

- To prevent breaking the wire, avoid touching with sharp material, such as tweezers or other material such as bristles of cleaning brush, to the wire wound portion of this product.
- To prevent breaking the core, avoid applying excessive mechanical shock to products mounted on the board.
- Temperature may rise up to max. 40 °C when applying the rated current to Inductor for Power Lines. Be careful of the temperature rating of the circuit board and components around the chip inductor.

LQM series

- There is the possibility that magnetism may change the inductance value. Do not use a magnet or tweezers with magnetism when handling chip inductors. (The tip of the tweezers should be molded with resin or pottery.)
- When the excessive current over rated current is applied, it may cause the inductance value to change due to magnetism.

<Handling>

1. Avoid applying excessive stress to products to prevent damage.
2. Do not touch wire wound with sharp objects such as tweezers to prevent wire breakage.
3. Do not apply excessive force to products mounted on boards to prevent core breakage.

<Transportation>

Do not apply excessive vibration or mechanical shock to products.

<Resin Coating>

When coating products with resin, the relatively high resin curing stress may change inductance values. For exterior coating, select resin carefully so that electrical and mechanical performance of the product is not affected. Prior to use, please evaluate reliability with the product mounted in your application set.

(LQW, LQH series)

An open circuit issue may occur by mechanical stress caused by the resin, amount/cured shape of resin, or operating condition etc. Some resins containing impurities or chloride may possibly generate chlorine by hydrolysis under some operating condition may cause corrosion of wire of inductor, leading to open circuit.

Continued on the following page. ↗

⚠ Note • Please read rating and ⚠ CAUTION (for storage, operating, rating, soldering, mounting and handling) in this catalog to prevent smoking and/or burning, etc.
• This catalog has only typical specifications. Therefore, please approve our product specifications or transact the approval sheet for product specifications before ordering.

<Rated Current>

(LQH2HP_G0·LQH2HP_J0 Series)

Inductance will be more than the value which is 30% down from minimum rated Inductance value.

(Other LQH_P Series except for LQH2HP_G0 Series)

Inductance will be within ±30% of nominal Inductance value.

• Based on Temperature Rise

For LQH2MC series·LQH_P series rated current is set to keep temperature rise caused by self heating 40°C or less.

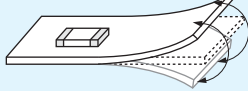
For other Inductor for Power Lines please refer to individual specifications.

<Handling of a Substrate>

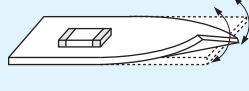
After mounting products on a substrate, do not apply any stress to the product caused by bending or twisting to the substrate when cropping the substrate, inserting and removing a connector from the substrate or tightening screw to the substrate.

Excessive mechanical stress may cause cracking in the Product.

Bending



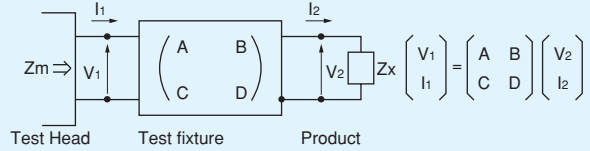
Twisting



● Measuring Method

Measuring Method of Inductance/Q

1. Residual elements and stray elements of test fixture can be described by F-parameter as shown in the following:



2. The impedance of chip inductor (chip coil) Zx and measured value Zm can be described by input/output current/voltage.

$$Z_m = \frac{V_1}{I_1}, \quad Z_x = \frac{V_2}{I_2}$$

3. Thus, the relation between Zx and Zm is shown in the following:

$$Z_x = \alpha \frac{Z_m - \beta}{1 - Z_m \Gamma} \quad \text{where, } \alpha = D / A = 1$$

$$\beta = B / D = Z_{sm} - (1 - Y_{om} Z_{sm}) Z_{ss}$$

$$\Gamma = C / A = Y_{om}$$

(Zsm: measured impedance of short chip
 Zss: residual impedance of short chip*
 Yom: measured admittance when opening the fixture)

*Residual impedance of short chip

Residual Impedance	Series
0.556nH	LQW15C
0.771nH	LQW18C

4. Lx and Qx should be calculated with the following equation.

$$L_x = \frac{\text{Im}(Z_x)}{2\pi f}, \quad Q_x = \frac{\text{Im}(Z_x)}{\text{Re}(Z_x)}$$

Lx: Inductance of chip inductor (chip coil)

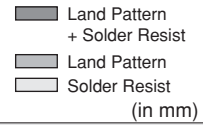
Qx: Q of chip inductor (chip coil)

f: Measuring frequency

⚠Note • Please read rating and ⚠CAUTION (for storage, operating, rating, soldering, mounting and handling) in this catalog to prevent smoking and/or burning, etc.
 • This catalog has only typical specifications. Therefore, please approve our product specifications or transact the approval sheet for product specifications before ordering.

1. Standard Land Pattern Dimensions

A high Q value is achieved when the PCB electrode land pattern is designed so that it does not project beyond the chip inductor (chip coil) electrode.



Series	Standard Land Dimensions																																																																	
LQM18F/18P LQM21D/21F/21P LQM2MP LQM2HP LQM31P LQM32P LQH2MC LQH31C LQH32P LQH44P LQH5BP LQH55D/66S LQW15C_00 LQW15C_10 LQW18C	<table border="1"> <thead> <tr> <th>Part Number</th> <th>a</th> <th>b</th> <th>c</th> </tr> </thead> <tbody> <tr> <td rowspan="2">LQM18F /18P</td> <td rowspan="2">0.7</td> <td>2.2-2.6</td> <td rowspan="2">0.7</td> </tr> <tr> <td>1.8-2.0</td> </tr> <tr> <td>LQM21D/21F/21P</td> <td>1.2</td> <td>3.0-4.0</td> <td>1.0</td> </tr> <tr> <td>LQM2MP</td> <td>0.8</td> <td>2.4</td> <td>1.8</td> </tr> <tr> <td>LQM2HP</td> <td>1.6</td> <td>3.0</td> <td>1.5</td> </tr> <tr> <td>LQM31P</td> <td>2.0</td> <td>4.2-5.2</td> <td>1.2</td> </tr> <tr> <td>LQM32P</td> <td>1.9</td> <td>3.6</td> <td>2.7</td> </tr> <tr> <td>LQH2MC</td> <td>0.8</td> <td>2.6</td> <td>1.0</td> </tr> <tr> <td>LQH31C</td> <td>1.0</td> <td>4.5</td> <td>1.5</td> </tr> <tr> <td>LQH32P</td> <td>1.3</td> <td>3.8</td> <td>2.0</td> </tr> <tr> <td>LQH44P</td> <td>1.3</td> <td>4.4</td> <td>3.0</td> </tr> <tr> <td>LQH5BP</td> <td>1.8</td> <td>5.5</td> <td>4.1</td> </tr> <tr> <td>LQH55D/66S</td> <td>2.0</td> <td>8.0</td> <td>3.5</td> </tr> <tr> <td>LQW15C_00</td> <td>0.4</td> <td>1.4</td> <td>0.6</td> </tr> <tr> <td>LQW15C_10</td> <td>0.4</td> <td>1.4</td> <td>0.66</td> </tr> <tr> <td>LQW18C</td> <td>0.7</td> <td>2.2</td> <td>1.0</td> </tr> </tbody> </table>	Part Number	a	b	c	LQM18F /18P	0.7	2.2-2.6	0.7	1.8-2.0	LQM21D/21F/21P	1.2	3.0-4.0	1.0	LQM2MP	0.8	2.4	1.8	LQM2HP	1.6	3.0	1.5	LQM31P	2.0	4.2-5.2	1.2	LQM32P	1.9	3.6	2.7	LQH2MC	0.8	2.6	1.0	LQH31C	1.0	4.5	1.5	LQH32P	1.3	3.8	2.0	LQH44P	1.3	4.4	3.0	LQH5BP	1.8	5.5	4.1	LQH55D/66S	2.0	8.0	3.5	LQW15C_00	0.4	1.4	0.6	LQW15C_10	0.4	1.4	0.66	LQW18C	0.7	2.2	1.0
	Part Number	a	b	c																																																														
	LQM18F /18P	0.7	2.2-2.6	0.7																																																														
			1.8-2.0																																																															
	LQM21D/21F/21P	1.2	3.0-4.0	1.0																																																														
	LQM2MP	0.8	2.4	1.8																																																														
	LQM2HP	1.6	3.0	1.5																																																														
	LQM31P	2.0	4.2-5.2	1.2																																																														
	LQM32P	1.9	3.6	2.7																																																														
	LQH2MC	0.8	2.6	1.0																																																														
	LQH31C	1.0	4.5	1.5																																																														
	LQH32P	1.3	3.8	2.0																																																														
	LQH44P	1.3	4.4	3.0																																																														
	LQH5BP	1.8	5.5	4.1																																																														
	LQH55D/66S	2.0	8.0	3.5																																																														
LQW15C_00	0.4	1.4	0.6																																																															
LQW15C_10	0.4	1.4	0.66																																																															
LQW18C	0.7	2.2	1.0																																																															
LQH2HP																																																																		
LQH32C																																																																		
LQH3NP																																																																		
LQH43C LQH43P																																																																		
LQH55P																																																																		

Attention should be paid to potential magnetic coupling effects when using the inductor (coil) as a resonator.

Continued on the following page.

Note • Please read rating and **CAUTION** (for storage, operating, rating, soldering, mounting and handling) in this catalog to prevent smoking and/or burning, etc.
 • This catalog has only typical specifications. Therefore, please approve our product specifications or transact the approval sheet for product specifications before ordering.

2. Standard Soldering Conditions

(1) Soldering method

Chip inductor (Chip coils) can be flow or reflow soldered. Please contact Murata regarding other soldering methods. As for LQH2MC/2HP/3NP/32P/44P/5BP/55D/55P/66S, LQM32P, LQW15C/18C series, please use reflow soldering.

Solder: Use Sn-3.0Ag-0.5Cu solder.

Flux: Use rosin-based flux, but not strongly acidic flux (with chlorine content exceeding 0.2wt%).

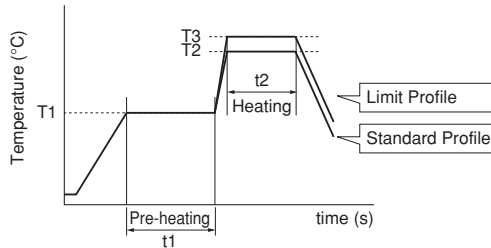
Do not use water-soluble flux.

The flux used for LQW15C/18C series should use the rosin-based flux that includes middle activator equivalent to 0.06wt% to 0.1wt% chlorine.

For additional mounting methods, please contact Murata.

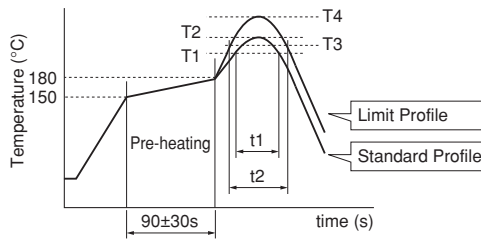
(2) Soldering profile

● Flow Soldering profile (Sn-3.0Ag-0.5Cu solder)



Series	Pre-heating		Standard Profile			Limit Profile		
	Temp. (T1)	Time. (t1)	Heating		Cycle of flow	Heating		Cycle of flow
			Temp. (T2)	Time. (t2)		Temp. (T3)	Time. (t2)	
LQM18F/18P LQM21D/21F/21P/2MP/2HP LQM31P LQH31C	150°C	60s min.	250°C	4 to 6s	2 times max.	265±3°C	5s max.	2 times max.
LQH32C LQH43C/43P	150°C	60s min.	250°C	4 to 6s	2 times max.	265±3°C	5s max.	1 times

● Reflow Soldering profile (Sn-3.0Ag-0.5Cu solder)



Series	Standard Profile				Limit Profile			
	Heating		Peak temperature (T2)	Cycle of reflow	Heating		Peak temperature (T4)	Cycle of reflow
	Temp. (T1)	Time. (t1)			Temp. (T3)	Time. (t2)		
LQM18F/18P LQM21D/21F/21P/2MP/2HP LQM31P/32P LQH2MC, LQH2HP LQH31C LQH3NP/32P/43P/44P/5BP/55P LQW15C/18C	220°C	30 to 60s	245±3°C	2 times max.	230°C	60s max.	260°C/10s	2 times max.
LQH32C LQH43C LQH55D, LQH66S	220°C	30 to 60s	245±3°C	2 times max.	230°C	60s max.	260°C/10s	1 time

Continued on the following page.

Note • Please read rating and CAUTION (for storage, operating, rating, soldering, mounting and handling) in this catalog to prevent smoking and/or burning, etc.
• This catalog has only typical specifications. Therefore, please approve our product specifications or transact the approval sheet for product specifications before ordering.

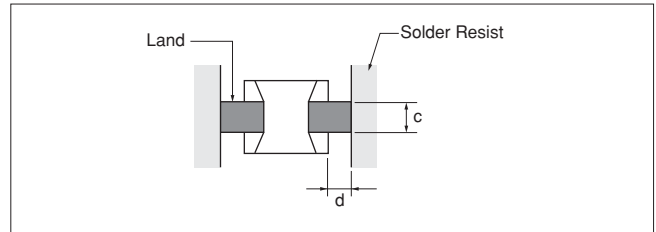
(3) Reworking with Soldering Iron
 Preheating at 150°C for 1 minute is required. Do not directly touch the ceramic element with the tip of the soldering iron. The reworking soldering conditions are as follows:

Soldering iron power output: 80W max.
 Temperature of soldering iron tip: 350°C
 Diameter of soldering iron end: 3.0mm max.
 Soldering time: within 3 s

3. Mounting Instructions

(1) Land Pattern Dimensions

Large lands reduce Q of the mounted chip. Also, large protruding land areas (bordered by lines having dimensions 'c' and 'd' shown) cause floating and electrode leaching.

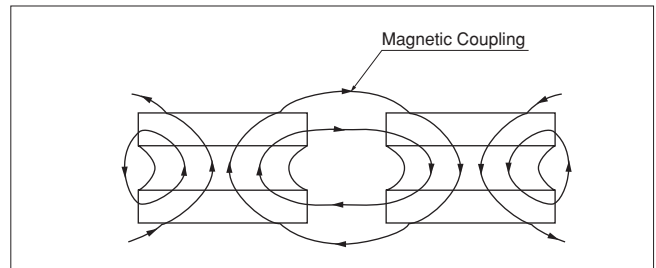


(2) Land Pattern Designing (LQH series)

Please follow the recommended patterns. Otherwise, their performance which includes electrical performance or solderability may be affected, or result to "position shift" in soldering process.

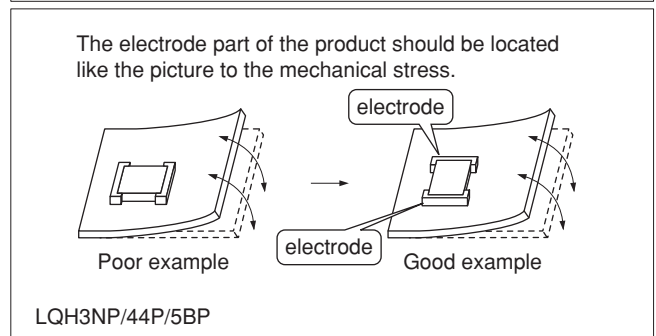
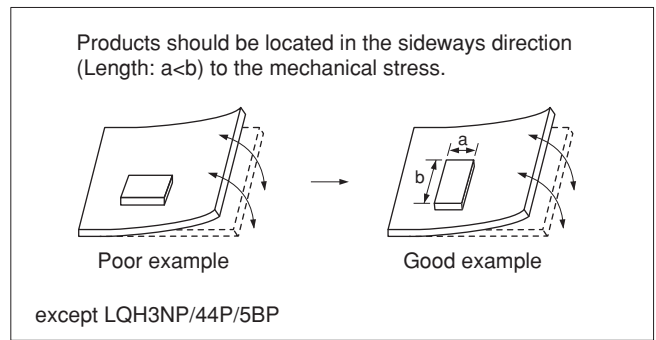
(3) Magnetic Coupling

Since some chip inductors (chip coils) are constructed like an open magnetic circuit, narrow spacing between inductors (coils) may cause magnetic coupling. LQM, LQH66S and LQH_P series have a magnetically shielded structure. The structure makes their coupling coefficient smaller than that of conventional chip inductors (chip coils).



(4) PCB Warping

PCB should be designed so that products are not subjected to the mechanical stress caused by warping the board.

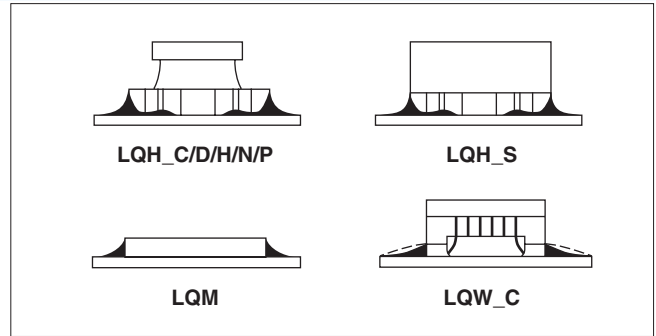


Continued on the following page. ↗

⚠Note • Please read rating and ⚠CAUTION (for storage, operating, rating, soldering, mounting and handling) in this catalog to prevent smoking and/or burning, etc.
 • This catalog has only typical specifications. Therefore, please approve our product specifications or transact the approval sheet for product specifications before ordering.

(5) Amount of Solder Paste
 Excessive solder causes electrode corrosion, while insufficient solder causes low electrode bonding strength. Adjust the amount of solder paste as shown on the right so that solder is applied.

- Guideline of solder paste thickness
 - LQW15C: 50 to 100µm
 - LQM, LQW18C, LQH2MC/2HP, LQH3NP/32P, LQH44P/5BP/55P: 100 to 150µm
 - LQH31C/32C, LQH43C/43P, LQH55P, LQH66S: 200 to 300µm



(6) Amount of Adhesive
 If too much adhesive is applied, then it may overflow into the land or termination areas and yield poor solderability. In contrast, if insufficient adhesive is applied, or if the adhesive is not sufficiently hardened, then the chip may become detached during flow soldering. Apply the adhesive in accordance with the conditions shown in chart.

Part Number	Typical Application Amount (in:mg)
	IR-100
LQM18F/18P	0.06-0.07
LQM21D/21F/21P/2MP	0.20-0.25
LQM2HP/31P	0.25-0.30
LQH31C	0.20-0.25
LQH32C	0.27-0.35
LQH43C	0.60-0.80

4. Cleaning

The following conditions should be observed when cleaning chip inductors (chip coils):

- (1) Cleaning Temperature: 60°C max. (40°C max. for alcohol cleaning agents)
- (2) Ultrasonic
 - Output: 20W/l max.
 - Duration: 5 minutes max.
 - Frequency: 28 to 40kHz
 - Care should be taken not to cause resonance of the PCB and mounted products.
- (3) Cleaning agent

The following cleaning agents have been tested on individual components. Evaluation in complete assembly should be done prior to production.

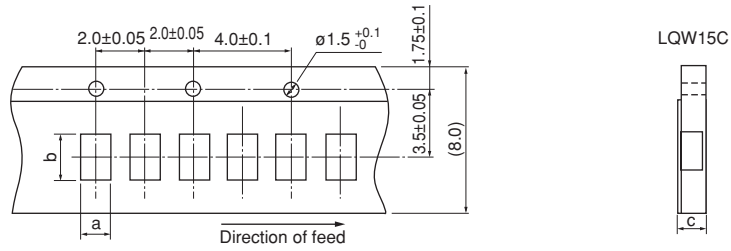
 - (a) Alcohol cleaning agents
 - Isopropyl alcohol (IPA)
 - (b) Aqueous cleaning agents
 - Pine Alpha ST-100S
 - LQH66S series: Aqueous agents should not be used because they may cause quality deterioration or damage to appearance.

(4) Ensure that flux residue is completely removed. Component should be thoroughly dried after aqueous agents have been removed with deionized water.

For additional cleaning methods, please contact Murata.

△Note • Please read rating and △CAUTION (for storage, operating, rating, soldering, mounting and handling) in this catalog to prevent smoking and/or burning, etc.
 • This catalog has only typical specifications. Therefore, please approve our product specifications or transact the approval sheet for product specifications before ordering.

Minimum Quantity and 8mm Width Taping Dimensions



Paper Tape

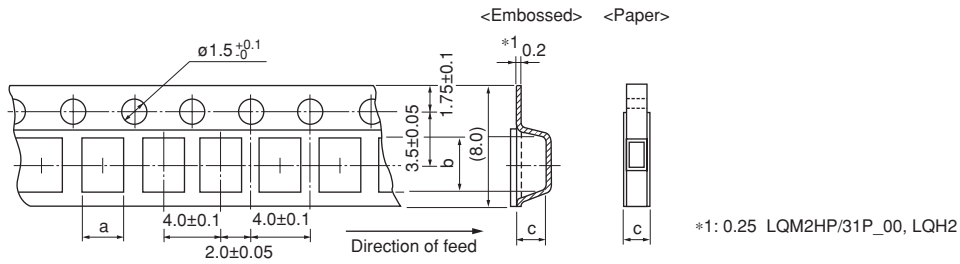
Part Number	Dimensions		Total Thickness of Tape	Packaging Code (Minimum Qty. [pcs.])		
	a	b		c	ø180mm reel	ø330mm reel
LQW15C_00	0.64	1.18	0.8 max.	D [10000]	-	B [500]
LQW15C_10	0.69	1.18	0.8 max.	D [10000]	-	B [500]

(in mm)

Continued on the following page.

Note • Please read rating and **CAUTION** (for storage, operating, rating, soldering, mounting and handling) in this catalog to prevent smoking and/or burning, etc.
 • This catalog has only typical specifications. Therefore, please approve our product specifications or transact the approval sheet for product specifications before ordering.

■ Minimum Quantity and 8mm Width Taping Dimensions



Dimension of the cavity of embossed tape is measured at the bottom side.

Paper Tape

Part Number	Dimensions		Total Thickness of Tape	Packaging Code (Minimum Qty. [pcs.])		
	a	b		c	ø180mm reel	ø330mm reel
LQM21D (1-10μH)	1.45	2.25	1.1 max.	D [4000]	J [10000]	B [1000]
LQM21F (1-2.2μH)	1.45	2.25	1.1 max.	D [4000]	J [10000]	B [1000]
LQM21P_C0	1.45	2.25	0.8 max.	D [4000]	-	B [1000]
LQM21P_G	1.45	2.25	1.1 max.	D [4000]	-	B [1000]
LQM18F	1.05	1.85	1.1 max.	D [4000]	J [10000]	B [1000]
LQM18P_D0	1.05	1.85	0.85 max.	D [4000]	-	B [1000]
LQW18C	1.0	1.8	1.1 max.	D [4000]	-	B [500]

Embossed Tape

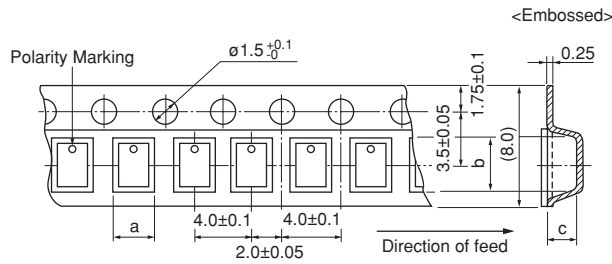
Part Number	Dimensions		Depth of Cavity	Packaging Code (Minimum Qty. [pcs.])		
	a	b		c	ø180mm reel	ø330mm reel
LQM18P_B0	1.0	1.8	0.50	L [4000]	-	B [1000]
LQM18P_C0	1.0	1.8	0.60	L [4000]	-	B [1000]
LQM18P_F0	1.0	1.8	1.0	L [4000]	-	B [1000]
LQM21D (22-47μH)	1.45	2.25	1.3	L [3000]	K [10000]	B [1000]
LQM21F (4.7-47μH)	1.45	2.25	1.3	L [3000]	K [10000]	B [1000]
LQM2HP_J0/JC	2.25	2.75	1.3	L [3000]	-	B [1000]
LQM2HP_G	2.3	2.8	1.1	L [3000]	-	B [1000]
LQM2HP_E0	2.3	2.8	0.9	L [3000]	-	B [1000]
LQM2MP_G0	1.85	2.25	1.1	L [3000]	-	B [1000]
LQM31P_00	1.9	3.5	1.05	L [3000]	-	B [1000]
LQM31P_C0	1.9	3.5	0.75	L [4000]	-	B [1000]
LQM32P_G0	2.9	3.6	1.15	L [3000]	-	B [1000]
LQH31C	1.9	3.6	2.0	L [2000]	K [7500]	-
LQH32C_33/_23	2.9	3.6	2.1	L [2000]	K [7500]	-
LQH32C_53	2.9	3.6	1.7	L [2000]	K [7500]	-
LQH32P	2.9	3.6	1.7	L [2000]	K [7500]	-
LQH2MC_02	1.9	2.3	1.05	L [3000]	-	B [100]
LQH2MC_52	1.9	2.3	0.8	L [3000]	-	B [100]

(in mm)

Continued on the following page.

△Note • Please read rating and △CAUTION (for storage, operating, rating, soldering, mounting and handling) in this catalog to prevent smoking and/or burning, etc.
 • This catalog has only typical specifications. Therefore, please approve our product specifications or transact the approval sheet for product specifications before ordering.

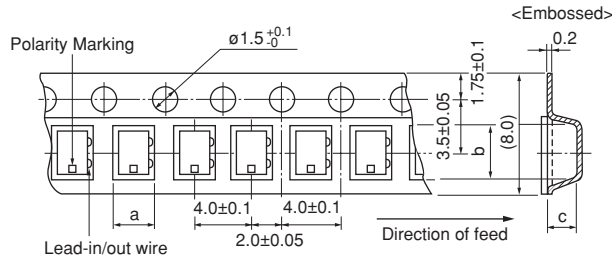
Minimum Quantity and 8mm Width Taping Dimensions



Dimension of the cavity of embossed tape is measured at the bottom side.

Embossed Tape

Part Number	Dimensions		Depth of Cavity	Packaging Code (Minimum Qty. [pcs.])		
	a	b		$\phi 180\text{mm}$ reel	$\phi 330\text{mm}$ reel	Bulk
LQH2HP_G0	2.3	2.8	1.1	L [3000]	-	-
LQH2HP_J0	2.3	2.8	1.3	L [2000]	-	-
LQH2HP_M0	2.3	2.8	1.6	L [2000]	-	-



Dimension of the cavity of embossed tape is measured at the bottom side.

Embossed Tape

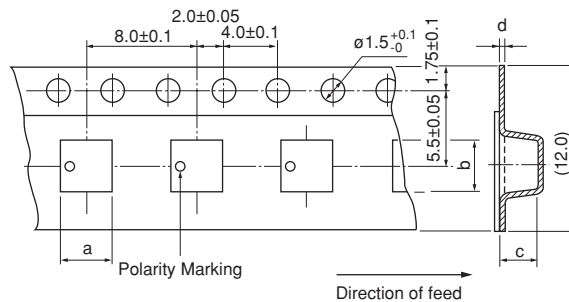
Part Number	Dimensions		Depth of Cavity	Packaging Code (Minimum Qty. [pcs.])		
	a	b		$\phi 180\text{mm}$ reel	$\phi 330\text{mm}$ reel	Bulk
LQH3NP_MR	3.3	3.3	1.6	E [2000]	F [8000]	-

(in mm)

Continued on the following page.

Note • Please read rating and CAUTION (for storage, operating, rating, soldering, mounting and handling) in this catalog to prevent smoking and/or burning, etc.
 • This catalog has only typical specifications. Therefore, please approve our product specifications or transact the approval sheet for product specifications before ordering.

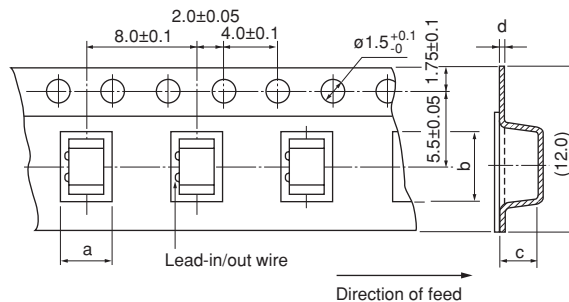
■ Minimum Quantity and 12mm Width Embossed Taping Dimensions



Dimension of the cavity of embossed tape is measured at the bottom side.

Embossed Tape

Part Number	Dimensions (*c: Depth of Cavity)				Packaging Code (Minimum Qty. [pcs.])		
	a	b	c	d	ø180mm reel	ø330mm reel	Bulk
LQH3NP_M0	3.3	3.3	1.6	0.25	L [1000]	K [4000]	-
LQH3NP_J0	3.3	3.3	1.3	0.25	L [1000]	K [5000]	-
LQH3NP_G0	3.3	3.3	1.1	0.25	L [1500]	K [6000]	-



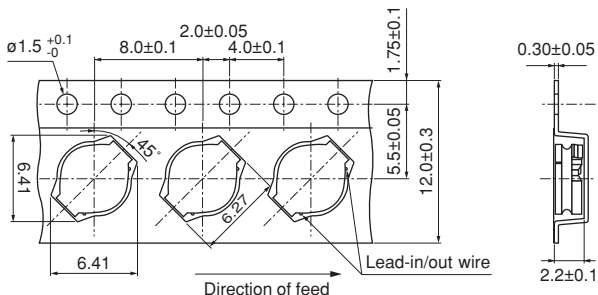
Dimension of the cavity of embossed tape is measured at the bottom side.

Embossed Tape

Part Number	Dimensions (*c: Depth of Cavity)				Packaging Code (Minimum Qty. [pcs.])		
	a	b	c	d	ø180mm reel	ø330mm reel	Bulk
LQH43C	3.6	4.9	2.7	0.3	L [500]	-	-
LQH43P	3.6	4.9	2.7	0.3	L [500]	K [2500]	-
LQH44 P_J0	4.3	4.3	1.4	0.3	L [1000]	K [3500]	-
LQH44 P_P0	4.3	4.3	1.9	0.3	L [1000]	K [3500]	-
LQH5BP	5.3	5.3	2.4	0.3	L [500]	K [3000]	-
LQH55D	5.4	6.1	5.0	0.4	L [350]	K [1500]	-
LQH66S	6.7	6.7	5.6	0.4	L [350]	K [1500]	-

(in mm)

■ Minimum Quantity and 12mm Width Embossed Taping Dimensions



Dimension of the cavity of embossed tape is measured at the bottom side.

Embossed Tape

Part Number	Packaging Code (Minimum Qty. [pcs.])		
	ø180mm reel	ø330mm reel	Bulk
LQH55P	L [500]	K [3000]	-

(in mm)

△Note • Please read rating and △CAUTION (for storage, operating, rating, soldering, mounting and handling) in this catalog to prevent smoking and/or burning, etc.
 • This catalog has only typical specifications. Therefore, please approve our product specifications or transact the approval sheet for product specifications before ordering.

■ Holder Type



● EKLMQM2PK (Inductor for Power Lines Multilayer Type)

No.	Part Number	Quantity (pcs.)	Inductance		DC Resistance (Ω)	Rated Current (mA)
			Nominal	Tolerance		
1	LQM18PN1R5NB0	10	1.5μH	±30%	0.35±25%	600
2	LQM18PN1R5NC0	10	1.8μH	±30%	0.24±25%	700
3	LQM18PN2R5ND0	10	2.5μH	±30%	0.24±25%	700
4	LQM18PN1R0NF0	10	1.0μH	±30%	0.28±25%	600
5	LQM18PNR22NFR	10	0.22μH	±30%	0.11±25%	1250
6	LQM18PNR47NFR	10	0.47μH	±30%	0.15±25%	1100
7	LQM18PN1R0MFR	10	1.0μH	±20%	0.20±25%	950
8	LQM18PN1R5MFR	10	1.5μH	±20%	0.23±25%	800
9	LQM18PN2R2MFR	10	2.2μH	±20%	0.30±25%	750
10	LQM18PN3R3MFR	10	3.3μH	±20%	0.35±25%	700
11	LQM18PN4R7MFR	10	4.7μH	±20%	0.44±25%	620
12	LQM21PNR47MC0	10	0.47μH	±20%	0.12±25%	1100
13	LQM21PN1R0MC0	10	1.0μH	±20%	0.19±25%	800
14	LQM21PN1R5MC0	10	1.5μH	±20%	0.26±25%	700
15	LQM21PN2R2MC0	10	2.2μH	±20%	0.34±25%	600
16	LQM21PNR47MG0	10	0.47μH	±20%	0.075±25%	1300
17	LQM21PNR54MG0	10	0.54μH	±20%	0.075±25%	1300
18	LQM21PN3R3MG0	10	3.3μH	±20%	0.165±25%	800
19	LQM21PN2R2MGS	10	2.2μH	±20%	0.180±25%	950
20	LQM21PN4R7MGS	10	4.7μH	±20%	0.290±25%	750
21	LQM21PN1R0NGC	10	1.0μH	±30%	0.10±25%	900
22	LQM21PN2R2NGC	10	2.2μH	±30%	0.23±25%	800
23	LQM21PN1R0NGR	10	1.0μH	±30%	0.066±25%	1300
24	LQM21PN3R3MGR	10	3.3μH	±20%	0.150±25%	1000
25	LQM21PN4R7MGR	10	4.7μH	±20%	0.23±25%	800
26	LQM2MPNR47MG0	10	0.47μH	±20%	0.060±25%	1600
27	LQM2MPN1R0NG0	10	1.0μH	±30%	0.085±25%	1400
28	LQM2MPN1R5MG0	10	1.5μH	±20%	0.11±25%	1200
29	LQM2MPN2R2MG0	10	2.2μH	±20%	0.11±25%	1200
30	LQM2MPN3R3NG0	10	3.3μH	±30%	0.12±25%	1200
31	LQM2MPN4R7MG0	10	4.7μH	±20%	0.14±25%	1100
32	LQM2HPNR56ME0	10	0.56μH	±20%	0.06±25%	1500
33	LQM2HPNR47MG0	10	0.47μH	±20%	0.04±25%	1800
34	LQM2HPN1R0MG0	10	1.0μH	±20%	0.055±25%	1600
35	LQM2HPN1R5MG0	10	1.5μH	±20%	0.07±25%	1500
36	LQM2HPN2R2MG0	10	2.2μH	±20%	0.08±25%	1300
37	LQM2HPN3R3MG0	10	3.3μH	±20%	0.10±25%	1200
38	LQM2HPN4R7MG0	10	4.7μH	±20%	0.11±25%	1100
39	LQM2HPN1R0MGC	10	1.0μH	±20%	0.08±25%	1500
40	LQM2HPN3R3MGC	10	3.3μH	±20%	0.16±25%	1000
41	LQM2HPN4R7MGC	10	4.7μH	±20%	0.18±25%	800
42	LQM2HPN2R2MGS	10	2.2μH	±20%	0.18±25%	1100
43	LQM2HPN3R3MGS	10	3.3μH	±20%	0.21±25%	1050
44	LQM2HPN4R7MGS	10	4.7μH	±20%	0.25±25%	1000
45	LQM2HPN1R0MJ0	10	1.0μH	±20%	0.09±25%	1500
46	LQM2HPN2R2MJ0	10	2.2μH	±20%	0.12±25%	1000
47	LQM2HPN3R3MJ0	10	3.3μH	±20%	0.12±25%	1000
48	LQM2HPN1R0MJC	10	1.0μH	±20%	0.086±25%	1500
49	LQM2HPN2R2NJC	10	2.2μH	±30%	0.175±25%	1000
50	LQM31PNR47MC0	10	0.47μH	±20%	0.085±25%	1300
51	LQM31PN1R0MC0	10	1.0μH	±20%	0.14±25%	1100
52	LQM31PN1R5MC0	10	1.5μH	±20%	0.17±25%	1000
53	LQM31PN2R2MC0	10	2.2μH	±20%	0.25±25%	900
54	LQM31PNR47M00	10	0.47μH	±20%	0.07±25%	1400
55	LQM31PN1R0M00	10	1.0μH	±20%	0.12±25%	1200

Continued on the following page.

△Note • Please read rating and △CAUTION (for storage, operating, rating, soldering, mounting and handling) in this catalog to prevent smoking and/or burning, etc.
 • This catalog has only typical specifications. Therefore, please approve our product specifications or transact the approval sheet for product specifications before ordering.

Continued from the preceding page.

No.	Part Number	Quantity (pcs.)	Inductance		DC Resistance (Ω)	Rated Current (mA)
			Nominal	Tolerance		
56	LQM31PN1R5M00	10	1.5μH	±20%	0.14±25%	1000
57	LQM31PN2R2M00	10	2.2μH	±20%	0.19±25%	900
58	LQM31PN3R3M00	10	3.3μH	±20%	0.24±25%	800
59	LQM31PN4R7M00	10	4.7μH	±20%	0.30±25%	700
60	LQM32PN1R0MG0	10	1.0μH	±20%	0.048±25%	1800

●EKLHM2MCH (Inductor for Power Lines Wire Wound Type)

No.	Part Number	Quantity (pcs.)	Inductance		DC Resistance (Ω)	Rated Current (mA)	
			Nominal	Tolerance		Based on Inductance Change	Based on Temperature Rise
1	LQH2MCN1R0M02	10	1.0μH	±20%	0.30±30%	-	485
2	LQH2MCN1R5M02	10	1.5μH	±20%	0.40±30%	-	445
3	LQH2MCN2R2M02	10	2.2μH	±20%	0.48±30%	-	425
4	LQH2MCN3R3M02	10	3.3μH	±20%	0.60±30%	-	375
5	LQH2MCN4R7M02	10	4.7μH	±20%	0.8±30%	-	300
6	LQH2MCN5R6M02	10	5.6μH	±20%	0.9±30%	-	280
7	LQH2MCN6R8M02	10	6.8μH	±20%	1.0±30%	-	255
8	LQH2MCN8R2M02	10	8.2μH	±20%	1.1±30%	-	235
9	LQH2MCN100K02	10	10μH	±10%	1.2±30%	-	225
10	LQH2MCN120K02	10	12μH	±10%	1.4±30%	-	210
11	LQH2MCN150K02	10	15μH	±10%	1.6±30%	-	200
12	LQH2MCN180K02	10	18μH	±10%	1.8±30%	-	190
13	LQH2MCN220K02	10	22μH	±10%	2.1±30%	-	185
14	LQH2MCN270K02	10	27μH	±10%	2.5±30%	-	180
15	LQH2MCN330K02	10	33μH	±10%	2.8±30%	-	160
16	LQH2MCN390K02	10	39μH	±10%	4.4±30%	-	125
17	LQH2MCN470K02	10	47μH	±10%	5.1±30%	-	120
18	LQH2MCN560K02	10	56μH	±10%	5.7±30%	-	110
19	LQH2MCN680K02	10	68μH	±10%	6.6±30%	-	100
20	LQH2MCN820K02	10	82μH	±10%	7.5±30%	-	90
21	LQH2MCN1R0M52	10	1.0μH	±20%	0.25±30%	-	595
22	LQH2MCN1R5M52	10	1.5μH	±20%	0.33±30%	-	540
23	LQH2MCN2R2M52	10	2.2μH	±20%	0.42±30%	-	500
24	LQH2MCN3R3M52	10	3.3μH	±20%	0.74±30%	-	360
25	LQH2MCN4R7M52	10	4.7μH	±20%	0.91±30%	-	335
26	LQH2MCN6R8M52	10	6.8μH	±20%	1.23±30%	-	285
27	LQH2MCN100M52	10	10μH	±20%	2.27±30%	-	200
28	LQH2MCN120M52	10	12μH	±20%	2.4±30%	-	170
29	LQH2MCN150M52	10	15μH	±20%	3.5±30%	-	150
30	LQH2MCN180M52	10	18μH	±20%	4±30%	-	140
31	LQH2MCN220M52	10	22μH	±20%	5.5±30%	-	130
32	LQH2HPN2R2MG0	10	2.2μH	±20%	0.17±20%	1640	1000
33	LQH2HPN3R3MG0	10	3.3μH	±20%	0.27±20%	1290	810
34	LQH2HPN4R7MG0	10	4.7μH	±20%	0.36±20%	1000	700
35	LQH2HPN6R8MG0	10	6.8μH	±20%	0.5±20%	800	590
36	LQH2HPN100MG0	10	10μH	±20%	0.73±20%	700	490
37	LQH2HPN220MG0	10	22μH	±20%	1.6±20%	490	340
38	LQH2HPN101MG0	10	100μH	±20%	10±20%	210	130
39	LQH2HPN2R2MJ0	10	2.2μH	±20%	0.132±20%	1800	1300
40	LQH2HPN3R3MJ0	10	3.3μH	±20%	0.230±20%	1500	950
41	LQH2HPN4R7MJ0	10	4.7μH	±20%	0.330±20%	1250	700
42	LQH2HPN6R8MJ0	10	6.8μH	±20%	0.448±20%	1100	600
43	LQH2HPN100MJ0	10	10μH	±20%	0.641±20%	820	550
44	LQH2HPN1R5NJ0	10	1.5μH	±30%	0.096±20%	2400	1500
45	LQH2HPN2R2MM0	10	2.2μH	±20%	0.146±20%	1700	1250
46	LQH2HPN4R7NM0	10	4.7μH	±30%	0.342±20%	1200	800

●EKLMQH3PE (Inductor for Power Lines Wire Wound Type)

No.	Part Number	Quantity (pcs.)	Inductance		DC Resistance (Ω)	Rated Current (mA)	
			Nominal	Tolerance		Based on Inductance Change	Based on Temperature Rise
1	LQH3NPN1R0NG0	10	1.0μH	±30%	0.08±20%	1650	1525
2	LQH3NPN1R5NG0	10	1.5μH	±30%	0.10±20%	1300	1470
3	LQH3NPN2R2NG0	10	2.2μH	±30%	0.14±20%	1250	1270
4	LQH3NPN3R3NG0	10	3.3μH	±30%	0.18±20%	850	1130
5	LQH3NPN4R7NG0	10	4.7μH	±30%	0.26±20%	800	925
6	LQH3NPN6R8NG0	10	6.8μH	±30%	0.45±20%	650	710

Continued on the following page. ↗

⚠Note • Please read rating and ⚠CAUTION (for storage, operating, rating, soldering, mounting and handling) in this catalog to prevent smoking and/or burning, etc.
 • This catalog has only typical specifications. Therefore, please approve our product specifications or transact the approval sheet for product specifications before ordering.

Continued from the preceding page.

No.	Part Number	Quantity (pcs.)	Inductance		DC Resistance (Ω)	Rated Current (mA)	
			Nominal	Tolerance		Based on Inductance Change	Based on Temperature Rise
7	LQH3NPN100MG0	10	10μH	±20%	0.57±20%	500	630
8	LQH3NPN150NG0	10	15μH	±30%	0.91±20%	370	475
9	LQH3NPN220MG0	10	22μH	±20%	1.1±20%	340	430
10	LQH3NPN330MG0	10	33μH	±20%	2.1±20%	250	345
11	LQH3NPN470MG0	10	47μH	±20%	3.0±20%	170	270
12	LQH3NPN680MG0	10	68μH	±20%	4.2±20%	150	235
13	LQH3NPN101MG0	10	100μH	±20%	8.0±20%	140	165
14	LQH3NPN151MG0	10	150μH	±20%	11±20%	110	145
15	LQH3NPN221MG0	10	220μH	±20%	14±20%	100	130
16	LQH3NPN251MG0	10	250μH	±20%	15±20%	80	130
17	LQH3NPN1R0NJ0	10	1.0μH	±30%	0.040±20%	1650	1620
18	LQH3NPN1R5NJ0	10	1.5μH	±30%	0.055±20%	1200	1500
19	LQH3NPN2R2MJ0	10	2.2μH	±20%	0.069±20%	1150	1460
20	LQH3NPN3R3MJ0	10	3.3μH	±20%	0.105±20%	950	1270
21	LQH3NPN4R7MJ0	10	4.7μH	±20%	0.130±20%	780	1120
22	LQH3NPN6R8MJ0	10	6.8μH	±20%	0.210±20%	700	850
23	LQH3NPN100MJ0	10	10μH	±20%	0.300±20%	560	710
24	LQH3NPN150MJ0	10	15μH	±20%	0.440±20%	440	590
25	LQH3NPN220MJ0	10	22μH	±20%	0.600±20%	350	510
26	LQH3NPN330MJ0	10	33μH	±20%	0.900±20%	280	410
27	LQH3NPN470MJ0	10	47μH	±20%	1.30±20%	200	350
28	LQH3NPN1R0MM0	10	1.0μH	±20%	0.044±20%	1400	2050
29	LQH3NPN2R2MM0	10	2.2μH	±20%	0.073±20%	1250	1600
30	LQH3NPN3R3MM0	10	3.3μH	±20%	0.092±20%	1000	1450
31	LQH3NPN4R7MM0	10	4.7μH	±20%	0.13±20%	880	1250
32	LQH3NPN6R8MM0	10	6.8μH	±20%	0.20±20%	820	1000
33	LQH3NPN100MM0	10	10μH	±20%	0.26±20%	550	870
34	LQH3NPN150MM0	10	15μH	±20%	0.36±20%	520	730
35	LQH3NPN220MM0	10	22μH	±20%	0.51±20%	410	650
36	LQH3NPN330MM0	10	33μH	±20%	0.85±20%	370	500
37	LQH3NPN470MM0	10	47μH	±20%	1.25±20%	310	410
38	LQH3NPN101MM0	10	100μH	±20%	3.50±20%	200	240
39	LQH3NPN1R0MMR	10	1.0μH	±20%	0.042±20%	1600	2150
40	LQH3NPN2R2MMR	10	2.2μH	±20%	0.068±20%	1380	1750
41	LQH3NPN3R3MMR	10	3.3μH	±20%	0.088±20%	1200	1550
42	LQH3NPN4R7MMR	10	4.7μH	±20%	0.105±20%	950	1400
43	LQH3NPN6R8MMR	10	6.8μH	±20%	0.155±20%	830	1250
44	LQH3NPN100MMR	10	10μH	±20%	0.210±20%	590	1150
45	LQH3NPN220MMR	10	22μH	±20%	0.480±20%	430	750
46	LQH3NPN330MMR	10	33μH	±20%	0.790±20%	380	600
47	LQH3NPN470MMR	10	47μH	±20%	1.140±20%	320	460
48	LQH32PNR47NNO	10	0.47μH	±30%	0.030±20%	3400	2550
49	LQH32PN1R0NNO	10	1.0μH	±30%	0.045±20%	2300	2050
50	LQH32PN1R5NNO	10	1.5μH	±30%	0.057±20%	1750	1750
51	LQH32PN2R2NNO	10	2.2μH	±30%	0.076±20%	1550	1600
52	LQH32PN3R3NNO	10	3.3μH	±30%	0.12±20%	1250	1200
53	LQH32PN4R7NNO	10	4.7μH	±30%	0.18±20%	1000	1000
54	LQH32PN6R8NNO	10	6.8μH	±30%	0.24±20%	850	850
55	LQH32PN100MNO	10	10μH	±20%	0.38±20%	750	700
56	LQH32PN150MNO	10	15μH	±20%	0.57±20%	600	520
57	LQH32PN220MNO	10	22μH	±20%	0.81±20%	500	450
58	LQH32PN330MNO	10	33μH	±20%	1.15±20%	380	390
59	LQH32PN470MNO	10	47μH	±20%	1.78±20%	330	310
60	LQH32PN680MNO	10	68μH	±20%	2.28±20%	280	275
61	LQH32PN101MNO	10	100μH	±20%	2.70±20%	180	250
62	LQH32PN121MNO	10	120μH	±20%	4.38±20%	170	200
63	LQH32PNR47NNC	10	0.47μH	±30%	0.024±20%	4400	2900
64	LQH32PN1R0NNC	10	1.0μH	±30%	0.036±20%	3000	2500
65	LQH32PN1R5NNC	10	1.5μH	±30%	0.053±20%	2600	2100
66	LQH32PN2R2NNC	10	2.2μH	±30%	0.064±20%	2000	1850
67	LQH32PN3R3NNC	10	3.3μH	±30%	0.100±20%	1900	1550
68	LQH32PN4R7NNC	10	4.7μH	±30%	0.155±20%	1600	1200
69	LQH32PN6R8NNC	10	6.8μH	±30%	0.220±20%	1300	1100
70	LQH32PN100MNC	10	10μH	±20%	0.295±20%	1000	900
71	LQH32PN150MNC	10	15μH	±20%	0.475±20%	800	700
72	LQH32PN220MNC	10	22μH	±20%	0.685±20%	650	550

Continued on the following page.

Note • Please read rating and CAUTION (for storage, operating, rating, soldering, mounting and handling) in this catalog to prevent smoking and/or burning, etc.
 • This catalog has only typical specifications. Therefore, please approve our product specifications or transact the approval sheet for product specifications before ordering.

Continued from the preceding page.

●EKLMQH3BA (Inductor for Power Lines Wire Wound Type)

No.	Part Number	Quantity (pcs.)	Inductance		DC Resistance (Ω)	Rated Current (mA)	
			Nominal	Tolerance		Based on Inductance Change	Based on Temperature Rise
1	LQH32PBR47NNO	10	0.47μH	±30%	0.030±20%	3400	1600
2	LQH32PB1R0NNO	10	1.0μH	±30%	0.045±20%	2300	1320
3	LQH32PB1R5NNO	10	1.5μH	±30%	0.057±20%	1750	1010
4	LQH32PB2R2NNO	10	2.2μH	±30%	0.076±20%	1550	970
5	LQH32PB3R3NNO	10	3.3μH	±30%	0.12±20%	1250	670
6	LQH32PB4R7NNO	10	4.7μH	±30%	0.18±20%	1000	530
7	LQH32PB6R8NNO	10	6.8μH	±30%	0.24±20%	850	510
8	LQH32PB100MNO	10	10μH	±20%	0.38±20%	750	380
9	LQH32PB150MNO	10	15μH	±20%	0.57±20%	600	320
10	LQH32PB220MNO	10	22μH	±20%	0.81±20%	500	240
11	LQH32PB330MNO	10	33μH	±20%	1.15±20%	380	190
12	LQH32PB470MNO	10	47μH	±20%	1.78±20%	330	140
13	LQH32PB680MNO	10	68μH	±20%	2.28±20%	280	120
14	LQH32PB101MNO	10	100μH	±20%	2.70±20%	180	110
15	LQH32PB121MNO	10	120μH	±20%	4.38±20%	170	80
16	LQH32PBR47NNC	10	0.47μH	±30%	0.024±20%	4400	1490
17	LQH32PB1R0NNC	10	1.0μH	±30%	0.036±20%	3000	1380
18	LQH32PB1R5NNC	10	1.5μH	±30%	0.053±20%	2600	1110
19	LQH32PB2R2NNC	10	2.2μH	±30%	0.064±20%	2000	910
20	LQH32PB3R3NNC	10	3.3μH	±30%	0.100±20%	1900	800
21	LQH32PB4R7NNC	10	4.7μH	±30%	0.155±20%	1600	610
22	LQH32PB6R8NNC	10	6.8μH	±30%	0.220±20%	1300	550
23	LQH32PB100MNC	10	10μH	±20%	0.295±20%	1000	450
24	LQH32PB150MNC	10	15μH	±20%	0.475±20%	800	330
25	LQH32PB220MNC	10	22μH	±20%	0.685±20%	650	270

●EKLMQH4PD (Inductor for Power Lines Wire Wound Type)

No.	Part Number	Quantity (pcs.)	Inductance		DC Resistance (Ω)	Rated Current (mA)	
			Nominal	Tolerance		Based on Inductance Change	Based on Temperature Rise
1	LQH44PN1R0NJ0	10	1.0μH	±30%	0.048±20%	2000	1530
2	LQH44PN1R5MJ0	10	1.5μH	±20%	0.061±20%	1600	1380
3	LQH44PN2R2MJ0	10	2.2μH	±20%	0.074±20%	1320	1230
4	LQH44PN3R3MJ0	10	3.3μH	±20%	0.088±20%	900	1000
5	LQH44PN4R7MJ0	10	4.7μH	±20%	0.117±20%	840	980
6	LQH44PN6R8MJ0	10	6.8μH	±20%	0.143±20%	720	860
7	LQH44PN100MJ0	10	10μH	±20%	0.207±20%	560	790
8	LQH44PN150MJ0	10	15μH	±20%	0.385±20%	430	610
9	LQH44PN220MJ0	10	22μH	±20%	0.480±20%	400	550
10	LQH44PN330MJ0	10	33μH	±20%	0.740±20%	360	430
11	LQH44PN470MJ0	10	47μH	±20%	1.014±20%	300	380
12	LQH44PN1R0NP0	10	1.0μH	±30%	0.030±20%	2950	2450
13	LQH44PN2R2MP0	10	2.2μH	±20%	0.049±20%	2500	1800
14	LQH44PN3R3MP0	10	3.3μH	±20%	0.065±20%	2100	1770
15	LQH44PN4R7MP0	10	4.7μH	±20%	0.080±20%	1700	1700
16	LQH44PN6R8MP0	10	6.8μH	±20%	0.12±20%	1400	1340
17	LQH44PN100MP0	10	10μH	±20%	0.16±20%	1150	1170
18	LQH44PN220MP0	10	22μH	±20%	0.37±20%	800	790
19	LQH43PN1R0N26	10	1.0μH	±30%	0.026±20%	3400	3300
20	LQH43PN2R2M26	10	2.2μH	±20%	0.042±20%	2300	2500
21	LQH43PN3R3M26	10	3.3μH	±20%	0.052±20%	1800	2100
22	LQH43PN4R7M26	10	4.7μH	±20%	0.075±20%	1400	1600
23	LQH43PN6R8M26	10	6.8μH	±20%	0.098±20%	1200	1400
24	LQH43PN8R2M26	10	8.2μH	±20%	0.128±20%	1100	1300
25	LQH43PN100M26	10	10μH	±20%	0.147±20%	1050	1170
26	LQH43PN220M26	10	22μH	±20%	0.327±20%	700	780
27	LQH43PN470M26	10	47μH	±20%	0.718±20%	470	520
28	LQH43PN101M26	10	100μH	±20%	1.538±20%	320	320
29	LQH43PN151M26	10	150μH	±20%	2.362±20%	280	260
30	LQH43PN221M26	10	220μH	±20%	2.900±20%	220	240

Continued on the following page.

Note • Please read rating and CAUTION (for storage, operating, rating, soldering, mounting and handling) in this catalog to prevent smoking and/or burning, etc.
 • This catalog has only typical specifications. Therefore, please approve our product specifications or transact the approval sheet for product specifications before ordering.

Continued from the preceding page.

●EKLMQH5PC (Inductor for Power Lines Wire Wound Type)

No.	Part Number	Quantity (pcs.)	Inductance		DC Resistance (Ω)	Rated Current (mA)	
			Nominal	Tolerance		Based on Inductance Change	Based on Temperature Rise
1	LQH5BPNR47NT0	10	0.47μH	±30%	0.012±20%	7700	4000
2	LQH5BPN1R0NT0	10	1.0μH	±30%	0.019±20%	5800	3100
3	LQH5BPN1R2NT0	10	1.2μH	±30%	0.019±20%	5400	3100
4	LQH5BPN1R5NT0	10	1.5μH	±30%	0.024±20%	5000	3000
5	LQH5BPN2R2NT0	10	2.2μH	±30%	0.030±20%	4000	2600
6	LQH5BPN2R7NT0	10	2.7μH	±30%	0.035±20%	3800	2500
7	LQH5BPN3R3NT0	10	3.3μH	±30%	0.044±20%	3500	2300
8	LQH5BPN4R7NT0	10	4.7μH	±30%	0.058±20%	3000	2000
9	LQH5BPN6R8NT0	10	6.8μH	±30%	0.083±20%	2500	1650
10	LQH5BPN100MT0	10	10μH	±20%	0.106±20%	2000	1600
11	LQH5BPN150MT0	10	15μH	±20%	0.187±20%	1600	1200
12	LQH5BPN220MT0	10	22μH	±20%	0.259±20%	1400	1050

●EKLMM18FC (for Choke Multilayer Type)

No.	Part Number	Quantity (pcs.)	Inductance		DC Resistance (Ω)	Rated Current (mA)
			Nominal	Tolerance		
1	LQM18FN1R0M00	10	1.0μH	±20%	0.20±30%	150
2	LQM18FN2R2M00	10	2.2μH	±20%	0.40±30%	120
3	LQM18FN4R7M00	10	4.7μH	±20%	0.60±30%	80
4	LQM18FN100M00	10	10μH	±20%	0.90±30%	50
5	LQM21FN1R0N00	10	1.0μH	±30%	0.20±30%	220
6	LQM21FN2R2N00	10	2.2μH	±30%	0.28±30%	150
7	LQM21FN4R7M70	10	4.7μH	±20%	0.35±30%	120
8	LQM21FN4R7M80	10	4.7μH	±20%	0.18±30%	120
9	LQM21FN100M70	10	10μH	±20%	0.60±30%	100
10	LQM21FN100M80	10	10μH	±20%	0.30±30%	100
11	LQM21FN220N00	10	22μH	±30%	0.35±30%	13
12	LQM21FN470N00	10	47μH	±30%	0.60±30%	7

●EKLMMH32CC (for Choke Wire Wound Type)

No.	Part Number	Quantity (pcs.)	Inductance		DC Resistance (Ω)	Rated Current (mA)
			Nominal	Tolerance		
1	LQH32CNR15M33	10	0.15μH	±20%	0.028±30%	1450
2	LQH32CNR27M33	10	0.27μH	±20%	0.034±30%	1250
3	LQH32CNR47M33	10	0.47μH	±20%	0.042±30%	1100
4	LQH32CN1R0M33	10	1.0μH	±20%	0.06±30%	1000
5	LQH32CN2R2M33	10	2.2μH	±20%	0.097±30%	790
6	LQH32CN4R7M33	10	4.7μH	±20%	0.15±30%	650
7	LQH32CN100K33	10	10μH	±10%	0.3±30%	450
8	LQH32CN1R0M23	10	1.0μH	±20%	0.09±30%	800
9	LQH32CN2R2M23	10	2.2μH	±20%	0.13±30%	600
10	LQH32CN4R7M23	10	4.7μH	±20%	0.2±30%	450
11	LQH32CN100K23	10	10μH	±10%	0.44±30%	300
12	LQH32CN220K23	10	22μH	±10%	0.71±30%	250
13	LQH32CN470K23	10	47μH	±10%	1.3±30%	170
14	LQH32CN101K23	10	100μH	±10%	3.5±30%	100
15	LQH32CN221K23	10	220μH	±10%	8.4±30%	70
16	LQH32CN331K23	10	330μH	±10%	10±30%	60
17	LQH32CN391K23	10	390μH	±10%	17±30%	60
18	LQH32CN471K23	10	470μH	±10%	19±30%	60
19	LQH32CN561K23	10	560μH	±10%	22±30%	60
20	LQH32CN1R0M53	10	1.0μH	±20%	0.06±30%	1000
21	LQH32CN2R2M53	10	2.2μH	±20%	0.097±30%	790
22	LQH32CN4R7M53	10	4.7μH	±20%	0.15±30%	650
23	LQH32CN100K53	10	10μH	±10%	0.3±30%	450
24	LQH32CN150K53	10	15μH	±10%	0.58±30%	300
25	LQH32CN220K53	10	22μH	±10%	0.71±30%	250
26	LQH32CN330K53	10	33μH	±10%	1.1±30%	200
27	LQH32CN470K53	10	47μH	±10%	1.3±30%	170
28	LQH32CN680K53	10	68μH	±10%	2.2±30%	130
29	LQH32CN101K53	10	100μH	±10%	3.5±30%	100

Continued on the following page. ↗

⚠Note • Please read rating and ⚠CAUTION (for storage, operating, rating, soldering, mounting and handling) in this catalog to prevent smoking and/or burning, etc.
 • This catalog has only typical specifications. Therefore, please approve our product specifications or transact the approval sheet for product specifications before ordering.

Continued from the preceding page.

●EKLHM43CD (for Choke Wire Wound Type)

No.	Part Number	Quantity (pcs.)	Inductance		DC Resistance (Ω) max.	Rated Current (mA)
			Nominal	Tolerance		
1	LQH43CN1R0M03	10	1.0μH	±20%	0.08	1080
2	LQH43CN1R5M03	10	1.5μH	±20%	0.09	1000
3	LQH43CN2R2M03	10	2.2μH	±20%	0.11	900
4	LQH43CN3R3M03	10	3.3μH	±20%	0.13	800
5	LQH43CN4R7M03	10	4.7μH	±20%	0.15	750
6	LQH43CN6R8M03	10	6.8μH	±20%	0.20	720
7	LQH43CN100K03	10	10μH	±10%	0.24	650
8	LQH43CN150K03	10	15μH	±10%	0.32	570
9	LQH43CN220K03	10	22μH	±10%	0.60	420
10	LQH43CN330K03	10	33μH	±10%	1.00	310
11	LQH43CN470K03	10	47μH	±10%	1.10	280
12	LQH43CN680K03	10	68μH	±10%	1.70	220
13	LQH43CN101K03	10	100μH	±10%	2.20	190
14	LQH43CN151K03	10	150μH	±10%	3.50	130
15	LQH43CN221K03	10	220μH	±10%	4.00	110
16	LQH43CN331K03	10	330μH	±10%	6.80	100
17	LQH43CN471K03	10	470μH	±10%	8.50	90
18	LQH43CNR56M33	10	0.56μH	±20%	0.030	2950
19	LQH43CNR82M33	10	0.82μH	±20%	0.036	2800
20	LQH43CN1R0M33	10	1.0μH	±20%	0.042	2600
21	LQH43CN1R5M33	10	1.5μH	±20%	0.047	2450
22	LQH43CN1R8M33	10	1.8μH	±20%	0.055	2300
23	LQH43CN2R2M33	10	2.2μH	±20%	0.062	2100
24	LQH43CN2R7M33	10	2.7μH	±20%	0.069	1800
25	LQH43CN3R3M33	10	3.3μH	±20%	0.099	1650
26	LQH43CN3R9M33	10	3.9μH	±20%	0.107	1600

●EKLW18CC (for Choke Wire Wound Type)

No.	Part Number	Quantity (pcs.)	Inductance		DC Resistance (Ω) max.	Rated Current (mA)
			Nominal	Tolerance		
1	LQW15CN18NJ00	10	18nH	±5%	0.046	1400
2	LQW15CN33NJ00	10	33nH	±5%	0.065	1300
3	LQW15CN48NJ00	10	48nH	±5%	0.078	1100
4	LQW15CN70NJ00	10	70nH	±5%	0.12	820
5	LQW15CN96NJ00	10	96nH	±5%	0.16	730
6	LQW15CNR13J00	10	130nH	±5%	0.23	640
7	LQW15CNR16J00	10	160nH	±5%	0.33	480
8	LQW15CNR20J00	10	200nH	±5%	0.47	390
9	LQW15CNR39K10	10	390nH	±10%	0.62	370
10	LQW15CNR56K10	10	560nH	±10%	0.71	300
11	LQW18CN4N9D00	10	4.9nH	±0.5nH	0.015	2600
12	LQW18CN15NJ00	10	15nH	±5%	0.025	2200
13	LQW18CN33NJ00	10	33nH	±5%	0.035	1700
14	LQW18CN55NJ00	10	55nH	±5%	0.045	1500
15	LQW18CN85NJ00	10	85nH	±5%	0.060	1400
16	LQW18CNR10K00	10	100nH	±10%	0.10	1000
17	LQW18CNR12J00	10	120nH	±5%	0.085	1100
18	LQW18CNR16J00	10	160nH	±5%	0.10	1000
19	LQW18CNR21J00	10	210nH	±5%	0.15	800
20	LQW18CNR27J00	10	270nH	±5%	0.16	750
21	LQW18CNR33J00	10	330nH	±5%	0.25	630
22	LQW18CNR39J00	10	390nH	±5%	0.28	620
23	LQW18CNR47J00	10	470nH	±5%	0.45	500
24	LQW18CNR56J00	10	560nH	±5%	0.48	450
25	LQW18CNR65J00	10	650nH	±5%	0.52	430

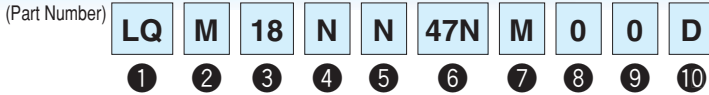
△Note • Please read rating and △CAUTION (for storage, operating, rating, soldering, mounting and handling) in this catalog to prevent smoking and/or burning, etc.
 • This catalog has only typical specifications. Therefore, please approve our product specifications or transact the approval sheet for product specifications before ordering.

● Inductor for Low Frequency Circuits

Part Numbering	102
Product Detail	103
⚠Caution/Notice	114
Soldering and Mounting	115
Packaging	119
Design Kits	120

⚠Note • Please read rating and ⚠CAUTION (for storage, operating, rating, soldering, mounting and handling) in this catalog to prevent smoking and/or burning, etc.
• This catalog has only typical specifications. Therefore, please approve our product specifications or transact the approval sheet for product specifications before ordering.

Inductor for Low Frequency Circuits Part Numbering



① Product ID

Product ID	
LQ	Chip Inductors (Chip Coils)

② Structure

Code	Structure
H	Wire Wound Type (Ferrite Core)
M	Multilayer Type (Ferrite Core)

③ Dimensions (L×W)

Code	Dimensions (L×W)	EIA
18	1.6×0.8mm	0603
21	2.0×1.25mm	0805
31	3.2×1.6mm	1206
32	3.2×2.5mm	1210
43	4.5×3.2mm	1812

④ Applications and Characteristics

Code	Series	Applications and Characteristics
N	LQM	for Resonant Circuit
N	LQH	for Resonant Circuit
M		for Resonant Circuit (Coating Type)

⑤ Category

Code	Category
N	Standard Type

⑩ Packaging

Code	Packaging	Series
K	Embossed Taping (ø330mm Reel)	LQH/LQM21*1
L	Embossed Taping (ø180mm Reel)	LQH/LQM21*1
B	Bulk	LQM
J	Paper Taping (ø330mm Reel)	LQM18/LQM21*2
D	Paper Taping (ø180mm Reel)	LQM18/LQM21*2

*1 LQM21N(2.7 - 4.7μH) only.

*2 LQM21N(0.1 - 2.2μH) only.

⑥ Inductance

Expressed by three-digit alphanumeric. The unit is micro-henry (μH). The first and second figures are significant digits, and the third figure expresses the number of zeros which follow the two figures. If there is a decimal point, it is expressed by the capital letter "R". In this case, all figures are significant digits. If inductance is less than 0.1μH, the inductance code is expressed by a combination of two figures and the capital letter "N", and the unit of inductance is nano-henry (nH). The capital letter "N" indicates the unit of "nH", and also expresses a decimal point. In this case, all figures are significant digits.

⑦ Inductance Tolerance

Code	Inductance Tolerance
J	±5%
K	±10%
M	±20%

⑧ Features

Code	Features	Series
0	Standard Type	LQM*1 /LQH*2
1	Standard Type	LQM21N
2	Standard Type	LQH32M

*1 Except LQM21N Series

*2 Except LQH32 Series

⑨ Electrode

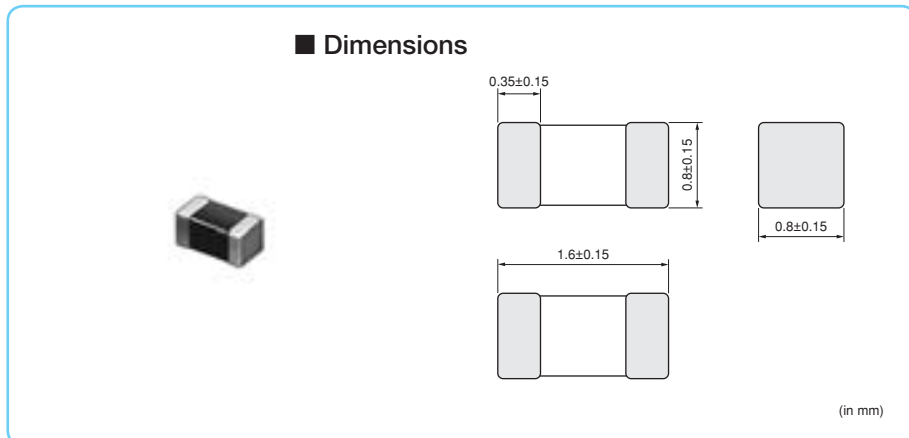
•Lead (Pb) Free

Code	Electrode	Series
0	Sn	LQM
3	LF Solder	LQH

⚠Note • Please read rating and ⚠CAUTION (for storage, operating, rating, soldering, mounting and handling) in this catalog to prevent smoking and/or burning, etc.
• This catalog has only typical specifications. Therefore, please approve our product specifications or transact the approval sheet for product specifications before ordering.



0603 Size, Multilayer Type



■ Packaging

Code	Packaging	Minimum Quantity
D	180mm Paper Tape	4000
J	330mm Paper Tape	10000
B	Bulk(Bag)	1000

Refer to pages from p.115 to p.118 for mounting information.

■ Rated Value (□: packaging code)

Part Number	Inductance	Test Frequency	Rated Current	Max. of DC Resistance	Q (min.)	Test Frequency	Self Resonance Frequency (min.)	
LQM18NN47NM00□	47nH ±20%	50MHz	50mA	0.30ohm	10	50MHz	260MHz	Kit
LQM18NN68NM00□	68nH ±20%	50MHz	50mA	0.30ohm	10	50MHz	250MHz	Kit
LQM18NN82NM00□	82nH ±20%	50MHz	50mA	0.30ohm	10	50MHz	245MHz	Kit
LQM18NNR10K00□	100nH ±10%	25MHz	50mA	0.50ohm	15	25MHz	240MHz	Kit
LQM18NNR12K00□	120nH ±10%	25MHz	50mA	0.50ohm	15	25MHz	205MHz	Kit
LQM18NNR15K00□	150nH ±10%	25MHz	50mA	0.60ohm	15	25MHz	180MHz	Kit
LQM18NNR18K00□	180nH ±10%	25MHz	50mA	0.60ohm	15	25MHz	165MHz	Kit
LQM18NNR22K00□	220nH ±10%	25MHz	50mA	0.80ohm	15	25MHz	150MHz	Kit
LQM18NNR27K00□	270nH ±10%	25MHz	50mA	0.80ohm	15	25MHz	136MHz	Kit
LQM18NNR33K00□	330nH ±10%	25MHz	35mA	0.85ohm	15	25MHz	125MHz	Kit
LQM18NNR39K00□	390nH ±10%	25MHz	35mA	1.00ohm	15	25MHz	110MHz	Kit
LQM18NNR47K00□	470nH ±10%	25MHz	35mA	1.35ohm	15	25MHz	105MHz	Kit
LQM18NNR56K00□	560nH ±10%	25MHz	35mA	1.55ohm	15	25MHz	95MHz	Kit
LQM18NNR68K00□	680nH ±10%	25MHz	35mA	1.70ohm	15	25MHz	90MHz	Kit
LQM18NNR82K00□	820nH ±10%	25MHz	35mA	2.10ohm	15	25MHz	85MHz	Kit
LQM18NN1R0K00□	1000nH ±10%	10MHz	25mA	0.60ohm	35	10MHz	75MHz	Kit
LQM18NN1R2K00□	1200nH ±10%	10MHz	25mA	0.80ohm	35	10MHz	65MHz	Kit
LQM18NN1R5K00□	1500nH ±10%	10MHz	25mA	0.80ohm	35	10MHz	60MHz	Kit
LQM18NN1R8K00□	1800nH ±10%	10MHz	25mA	0.95ohm	35	10MHz	55MHz	Kit
LQM18NN2R2K00□	2200nH ±10%	10MHz	15mA	1.15ohm	35	10MHz	50MHz	Kit

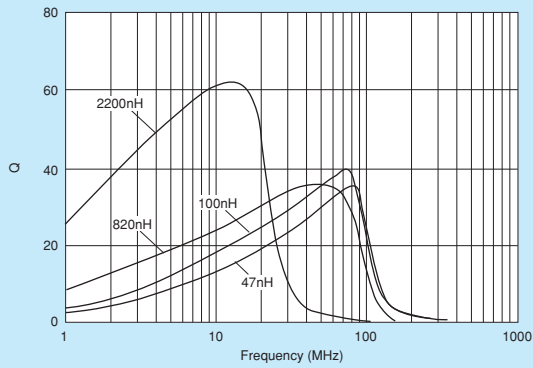
Class of Magnetic Shield: Magnetic shield of ferrite

Operating Temperature Range (Self-temperature rise is not included): -40°C to +85°C

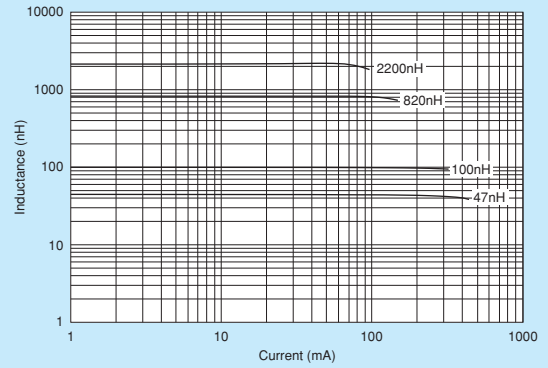
Continued on the following page.

Note • Please read rating and **CAUTION** (for storage, operating, rating, soldering, mounting and handling) in this catalog to prevent smoking and/or burning, etc.
• This catalog has only typical specifications. Therefore, please approve our product specifications or transact the approval sheet for product specifications before ordering.

■ Q-Frequency Characteristics (Typ.)



■ Inductance-Current Characteristics (Typ.)



Inductor for Power Lines (Power Inductor)

Inductor for Low Frequency Circuits
Multilayer Magnetic Type

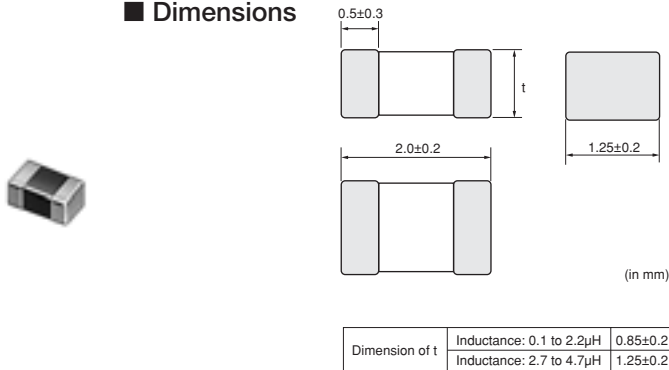
RF Inductor

⚠Note • Please read rating and ⚠CAUTION (for storage, operating, rating, soldering, mounting and handling) in this catalog to prevent smoking and/or burning, etc.
• This catalog has only typical specifications. Therefore, please approve our product specifications or transact the approval sheet for product specifications before ordering.



0805 Size, Multilayer Type

■ Dimensions



■ Packaging

Code	Packaging	Minimum Quantity
D	180mm Paper Tape	4000 *1
L	180mm Embossed Tape	3000 *2
J	330mm Paper Tape	10000 *1
K	330mm Embossed Tape	10000 *2
B	Bulk(Bag)	1000

*1: LQM21N (0.1 to 2.2μH)
*2: LQM21N (2.7 to 4.7μH)

Refer to pages from p.115 to p.118 for mounting information.

■ Rated Value (□: packaging code)

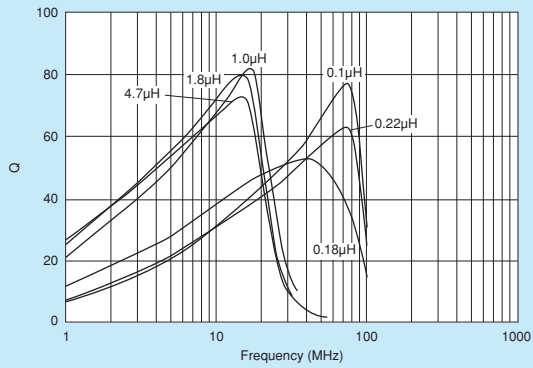
Part Number	Inductance	Test Frequency	Rated Current	Max. of DC Resistance	Q (min.)	Test Frequency	Self Resonance Frequency (min.)	
LQM21NNR10K10□	0.1μH ±10%	25MHz	250mA	0.26ohm	20	25MHz	340MHz	Kit
LQM21NNR12K10□	0.12μH ±10%	25MHz	250mA	0.29ohm	20	25MHz	310MHz	Kit
LQM21NNR15K10□	0.15μH ±10%	25MHz	250mA	0.32ohm	20	25MHz	270MHz	Kit
LQM21NNR18K10□	0.18μH ±10%	25MHz	250mA	0.35ohm	20	25MHz	250MHz	Kit
LQM21NNR22K10□	0.22μH ±10%	25MHz	250mA	0.38ohm	20	25MHz	220MHz	Kit
LQM21NNR27K10□	0.27μH ±10%	25MHz	250mA	0.42ohm	20	25MHz	200MHz	Kit
LQM21NNR33K10□	0.33μH ±10%	25MHz	250mA	0.48ohm	20	25MHz	180MHz	Kit
LQM21NNR39K10□	0.39μH ±10%	25MHz	200mA	0.53ohm	25	25MHz	165MHz	Kit
LQM21NNR47K10□	0.47μH ±10%	25MHz	200mA	0.57ohm	25	25MHz	150MHz	Kit
LQM21NNR56K10□	0.56μH ±10%	25MHz	150mA	0.63ohm	25	25MHz	140MHz	Kit
LQM21NNR68K10□	0.68μH ±10%	25MHz	150mA	0.72ohm	25	25MHz	125MHz	Kit
LQM21NNR82K10□	0.82μH ±10%	25MHz	150mA	0.81ohm	25	25MHz	115MHz	Kit
LQM21NN1R0K10□	1μH ±10%	10MHz	50mA	0.40ohm	45	10MHz	107MHz	Kit
LQM21NN1R2K10□	1.2μH ±10%	10MHz	50mA	0.47ohm	45	10MHz	97MHz	Kit
LQM21NN1R5K10□	1.5μH ±10%	10MHz	50mA	0.50ohm	45	10MHz	87MHz	Kit
LQM21NN1R8K10□	1.8μH ±10%	10MHz	50mA	0.57ohm	45	10MHz	80MHz	Kit
LQM21NN2R2K10□	2.2μH ±10%	10MHz	30mA	0.63ohm	45	10MHz	71MHz	Kit
LQM21NN2R7K10□	2.7μH ±10%	10MHz	30mA	0.69ohm	45	10MHz	66MHz	Kit
LQM21NN3R3K10□	3.3μH ±10%	10MHz	30mA	0.80ohm	45	10MHz	59MHz	Kit
LQM21NN3R9K10□	3.9μH ±10%	10MHz	30mA	0.89ohm	45	10MHz	53MHz	Kit
LQM21NN4R7K10□	4.7μH ±10%	10MHz	30mA	1.00ohm	45	10MHz	47MHz	Kit

Class of Magnetic Shield: Magnetic shield of ferrite
Operating Temperature Range (Self-temperature rise is not included): -40°C to +85°C

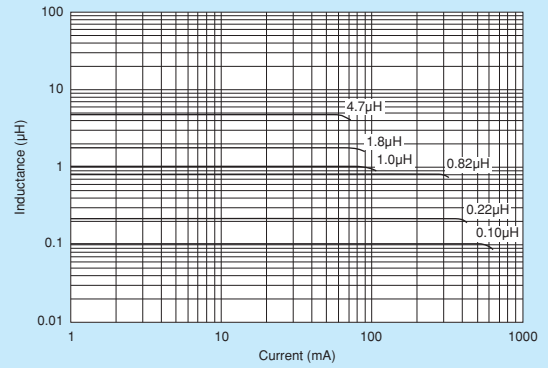
Continued on the following page. ↗

△Note • Please read rating and △CAUTION (for storage, operating, rating, soldering, mounting and handling) in this catalog to prevent smoking and/or burning, etc.
• This catalog has only typical specifications. Therefore, please approve our product specifications or transact the approval sheet for product specifications before ordering.

■ Q-Frequency Characteristics (Typ.)



■ Inductance-Current Characteristics (Typ.)

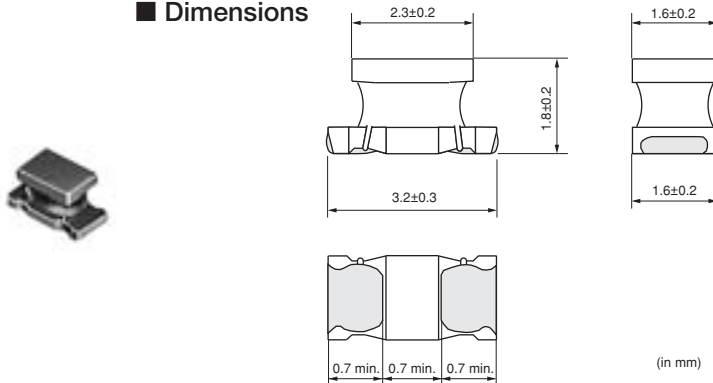


⚠Note • Please read rating and ⚠CAUTION (for storage, operating, rating, soldering, mounting and handling) in this catalog to prevent smoking and/or burning, etc.
• This catalog has only typical specifications. Therefore, please approve our product specifications or transact the approval sheet for product specifications before ordering.



1206 Size, Wound Type

■ Dimensions



■ Packaging

Code	Packaging	Minimum Quantity
L	180mm Embossed Tape	2000
K	330mm Embossed Tape	7500

Refer to pages from p.115 to p.118 for mounting information.

■ Rated Value (□: packaging code)

Part Number	Inductance	Test Frequency	Rated Current	DC Resistance	Q (min.)	Test Frequency	Self Resonance Frequency (min.)
LQH31MNR15K03□	0.15μH ±10%	1MHz	250mA	0.39ohm ±40%	20	25MHz	250MHz
LQH31MNR22K03□	0.22μH ±10%	1MHz	240mA	0.43ohm ±40%	20	25MHz	250MHz
LQH31MNR33K03□	0.33μH ±10%	1MHz	230mA	0.45ohm ±40%	30	25MHz	250MHz
LQH31MNR47K03□	0.47μH ±10%	1MHz	215mA	0.83ohm ±40%	30	25MHz	200MHz
LQH31MNR56K03□	0.56μH ±10%	1MHz	200mA	0.61ohm ±40%	30	25MHz	180MHz
LQH31MNR68K03□	0.68μH ±10%	1MHz	190mA	0.67ohm ±40%	30	25MHz	160MHz
LQH31MNR82K03□	0.82μH ±10%	1MHz	185mA	0.73ohm ±40%	30	25MHz	120MHz
LQH31MN1R0K03□	1.0μH ±10%	1MHz	175mA	0.49ohm ±30%	35	10MHz	100MHz
LQH31MN1R2J03□	1.2μH ±5%	1MHz	165mA	0.37ohm ±30%	35	10MHz	90MHz
LQH31MN1R2K03□	1.2μH ±10%	1MHz	165mA	0.9ohm ±30%	35	10MHz	90MHz
LQH31MN1R5J03□	1.5μH ±5%	1MHz	155mA	1.0ohm ±30%	35	10MHz	75MHz
LQH31MN1R5K03□	1.5μH ±10%	1MHz	155mA	1.0ohm ±30%	35	10MHz	75MHz
LQH31MN1R8J03□	1.8μH ±5%	1MHz	150mA	1.6ohm ±30%	35	10MHz	60MHz
LQH31MN1R8K03□	1.8μH ±10%	1MHz	150mA	1.6ohm ±30%	35	10MHz	60MHz
LQH31MN2R2J03□	2.2μH ±5%	1MHz	140mA	0.7ohm ±30%	35	10MHz	50MHz
LQH31MN2R2K03□	2.2μH ±10%	1MHz	140mA	0.7ohm ±30%	35	10MHz	50MHz
LQH31MN2R7J03□	2.7μH ±5%	1MHz	135mA	0.55ohm ±30%	35	10MHz	43MHz
LQH31MN2R7K03□	2.7μH ±10%	1MHz	135mA	0.55ohm ±30%	35	10MHz	43MHz
LQH31MN3R3J03□	3.3μH ±5%	1MHz	130mA	0.61ohm ±30%	35	8MHz	38MHz
LQH31MN3R3K03□	3.3μH ±10%	1MHz	130mA	0.61ohm ±30%	35	8MHz	38MHz
LQH31MN3R9J03□	3.9μH ±5%	1MHz	125mA	1.5ohm ±30%	35	8MHz	35MHz
LQH31MN3R9K03□	3.9μH ±10%	1MHz	125mA	1.5ohm ±30%	35	8MHz	35MHz
LQH31MN4R7J03□	4.7μH ±5%	1MHz	120mA	1.7ohm ±30%	35	8MHz	31MHz
LQH31MN4R7K03□	4.7μH ±10%	1MHz	120mA	1.7ohm ±30%	35	8MHz	31MHz
LQH31MN5R6J03□	5.6μH ±5%	1MHz	115mA	1.8ohm ±30%	35	8MHz	28MHz
LQH31MN5R6K03□	5.6μH ±10%	1MHz	115mA	1.8ohm ±30%	35	8MHz	28MHz
LQH31MN6R8J03□	6.8μH ±5%	1MHz	110mA	2.0ohm ±30%	35	8MHz	25MHz
LQH31MN6R8K03□	6.8μH ±10%	1MHz	110mA	2.0ohm ±30%	35	8MHz	25MHz
LQH31MN8R2J03□	8.2μH ±5%	1MHz	105mA	2.2ohm ±30%	35	8MHz	23MHz
LQH31MN8R2K03□	8.2μH ±10%	1MHz	105mA	2.2ohm ±30%	35	8MHz	23MHz
LQH31MN100J03□	10μH ±5%	1MHz	100mA	2.5ohm ±30%	35	5MHz	20MHz
LQH31MN100K03□	10μH ±10%	1MHz	100mA	2.5ohm ±30%	35	5MHz	20MHz

Class of Magnetic Shield: No magnetic shield

Operating Temperature Range (Self-temperature rise is not included): -40°C to +85°C

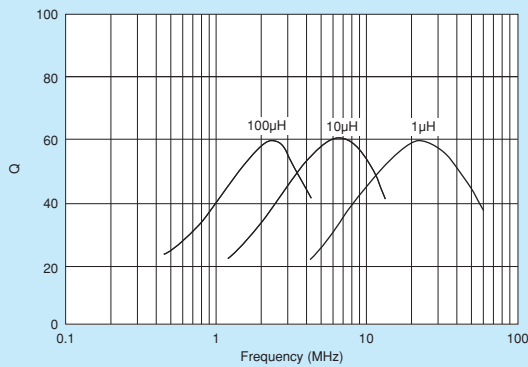
Continued on the following page.

△Note • Please read rating and △CAUTION (for storage, operating, rating, soldering, mounting and handling) in this catalog to prevent smoking and/or burning, etc.
• This catalog has only typical specifications. Therefore, please approve our product specifications or transact the approval sheet for product specifications before ordering.

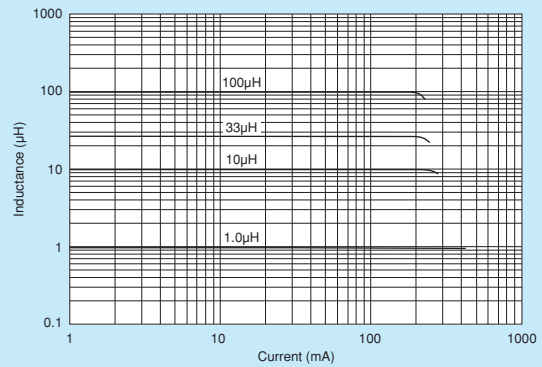
Part Number	Inductance	Test Frequency	Rated Current	DC Resistance	Q (min.)	Test Frequency	Self Resonance Frequency (min.)
LQH31MN120J03□	12μH ±5%	1MHz	95mA	2.7ohm ±30%	35	5MHz	18MHz
LQH31MN120K03□	12μH ±10%	1MHz	95mA	2.7ohm ±30%	35	5MHz	18MHz
LQH31MN150J03□	15μH ±5%	1MHz	90mA	3.0ohm ±30%	35	5MHz	16MHz
LQH31MN150K03□	15μH ±10%	1MHz	90mA	3.0ohm ±30%	35	5MHz	16MHz
LQH31MN180J03□	18μH ±5%	1MHz	85mA	3.4ohm ±30%	35	5MHz	15MHz
LQH31MN180K03□	18μH ±10%	1MHz	85mA	3.4ohm ±30%	35	5MHz	15MHz
LQH31MN220J03□	22μH ±5%	1MHz	85mA	3.1ohm ±30%	40	2.5MHz	14MHz
LQH31MN220K03□	22μH ±10%	1MHz	85mA	3.1ohm ±30%	40	2.5MHz	14MHz
LQH31MN270J03□	27μH ±5%	1MHz	85mA	3.4ohm ±30%	40	2.5MHz	13MHz
LQH31MN270K03□	27μH ±10%	1MHz	85mA	3.4ohm ±30%	40	2.5MHz	13MHz
LQH31MN330J03□	33μH ±5%	1MHz	80mA	3.8ohm ±30%	40	2.5MHz	12MHz
LQH31MN330K03□	33μH ±10%	1MHz	80mA	3.8ohm ±30%	40	2.5MHz	12MHz
LQH31MN390J03□	39μH ±5%	1MHz	55mA	7.2ohm ±30%	40	2.5MHz	11MHz
LQH31MN390K03□	39μH ±10%	1MHz	55mA	7.2ohm ±30%	40	2.5MHz	11MHz
LQH31MN470J03□	47μH ±5%	1MHz	55mA	8.0ohm ±30%	40	2.5MHz	10MHz
LQH31MN470K03□	47μH ±10%	1MHz	55mA	8.0ohm ±30%	40	2.5MHz	10MHz
LQH31MN560J03□	56μH ±5%	1MHz	50mA	8.9ohm ±30%	40	2.5MHz	9MHz
LQH31MN560K03□	56μH ±10%	1MHz	50mA	8.9ohm ±30%	40	2.5MHz	9MHz
LQH31MN680J03□	68μH ±5%	1MHz	50mA	9.9ohm ±30%	40	2.5MHz	8.5MHz
LQH31MN680K03□	68μH ±10%	1MHz	50mA	9.9ohm ±30%	40	2.5MHz	8.5MHz
LQH31MN820J03□	82μH ±5%	1MHz	45mA	11ohm ±30%	40	2.5MHz	7.5MHz
LQH31MN820K03□	82μH ±10%	1MHz	45mA	11ohm ±30%	40	2.5MHz	7.5MHz
LQH31MN101J03□	100μH ±5%	1MHz	45mA	12ohm ±30%	40	2.5MHz	7MHz
LQH31MN101K03□	100μH ±10%	1MHz	45mA	12ohm ±30%	40	2.5MHz	7MHz

Class of Magnetic Shield: No magnetic shield
 Operating Temperature Range (Self-temperature rise is not included): -40°C to +85°C

■ Q-Frequency Characteristics (Typ.)



■ Inductance-Current Characteristics (Typ.)

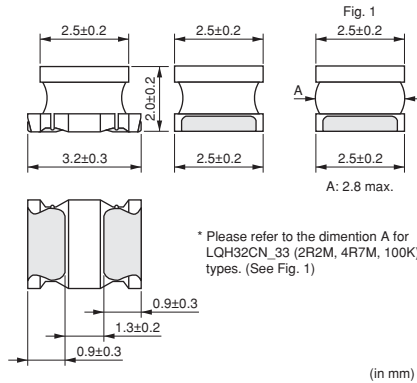


⚠Note • Please read rating and ⚠CAUTION (for storage, operating, rating, soldering, mounting and handling) in this catalog to prevent smoking and/or burning, etc.
 • This catalog has only typical specifications. Therefore, please approve our product specifications or transact the approval sheet for product specifications before ordering.



1210 Size, Wound Type

■ Dimensions



■ Packaging

Code	Packaging	Minimum Quantity
L	180mm Embossed Tape	2000
K	330mm Embossed Tape	7500

Refer to pages from p.115 to p.118 for mounting information.

■ Rated Value (□: packaging code)

Part Number	Inductance	Test Frequency	Rated Current	Max. of DC Resistance	Q (min.)	Test Frequency	Self Resonance Frequency (min.)	
LQH32MN1R0M23□	1.0μH ±20%	1MHz	445mA	0.5ohm	20	1MHz	100MHz	Kit
LQH32MN1R2M23□	1.2μH ±20%	1MHz	425mA	0.6ohm	20	1MHz	100MHz	Kit
LQH32MN1R5K23□	1.5μH ±10%	1MHz	400mA	0.6ohm	20	1MHz	75MHz	Kit
LQH32MN1R8K23□	1.8μH ±10%	1MHz	390mA	0.7ohm	20	1MHz	60MHz	Kit
LQH32MN2R2K23□	2.2μH ±10%	1MHz	370mA	0.8ohm	20	1MHz	50MHz	Kit
LQH32MN2R7K23□	2.7μH ±10%	1MHz	320mA	0.9ohm	20	1MHz	43MHz	Kit
LQH32MN3R3K23□	3.3μH ±10%	1MHz	300mA	1.0ohm	20	1MHz	38MHz	Kit
LQH32MN3R9K23□	3.9μH ±10%	1MHz	290mA	1.1ohm	20	1MHz	35MHz	Kit
LQH32MN4R7K23□	4.7μH ±10%	1MHz	270mA	1.2ohm	20	1MHz	31MHz	Kit
LQH32MN5R6K23□	5.6μH ±10%	1MHz	250mA	1.3ohm	20	1MHz	28MHz	Kit
LQH32MN6R8K23□	6.8μH ±10%	1MHz	240mA	1.5ohm	20	1MHz	25MHz	Kit
LQH32MN8R2K23□	8.2μH ±10%	1MHz	225mA	1.6ohm	20	1MHz	23MHz	Kit
LQH32MN100J23□	10μH ±5%	1MHz	190mA	1.8ohm	35	1MHz	20MHz	
LQH32MN100K23□	10μH ±10%	1MHz	190mA	1.8ohm	35	1MHz	20MHz	Kit
LQH32MN120J23□	12μH ±5%	1MHz	180mA	2.0ohm	35	1MHz	18MHz	
LQH32MN120K23□	12μH ±10%	1MHz	180mA	2.0ohm	35	1MHz	18MHz	Kit
LQH32MN150J23□	15μH ±5%	1MHz	170mA	2.2ohm	35	1MHz	16MHz	
LQH32MN150K23□	15μH ±10%	1MHz	170mA	2.2ohm	35	1MHz	16MHz	Kit
LQH32MN180J23□	18μH ±5%	1MHz	165mA	2.5ohm	35	1MHz	15MHz	
LQH32MN180K23□	18μH ±10%	1MHz	165mA	2.5ohm	35	1MHz	15MHz	Kit
LQH32MN220J23□	22μH ±5%	1MHz	150mA	2.8ohm	35	1MHz	14MHz	
LQH32MN220K23□	22μH ±10%	1MHz	150mA	2.8ohm	35	1MHz	14MHz	Kit
LQH32MN270J23□	27μH ±5%	1MHz	125mA	3.1ohm	35	1MHz	13MHz	
LQH32MN270K23□	27μH ±10%	1MHz	125mA	3.1ohm	35	1MHz	13MHz	Kit
LQH32MN330J23□	33μH ±5%	1MHz	115mA	3.5ohm	40	1MHz	12MHz	
LQH32MN330K23□	33μH ±10%	1MHz	115mA	3.5ohm	40	1MHz	12MHz	Kit
LQH32MN390J23□	39μH ±5%	1MHz	110mA	3.9ohm	40	1MHz	11MHz	
LQH32MN390K23□	39μH ±10%	1MHz	110mA	3.9ohm	40	1MHz	11MHz	Kit
LQH32MN470J23□	47μH ±5%	1MHz	100mA	4.3ohm	40	1MHz	11MHz	
LQH32MN470K23□	47μH ±10%	1MHz	100mA	4.3ohm	40	1MHz	11MHz	Kit
LQH32MN560J23□	56μH ±5%	1MHz	85mA	4.9ohm	40	1MHz	10MHz	
LQH32MN560K23□	56μH ±10%	1MHz	85mA	4.9ohm	40	1MHz	10MHz	Kit

Class of Magnetic Shield: No magnetic shield

Operating Temperature Range (Self-temperature rise is not included): -40°C to +85°C

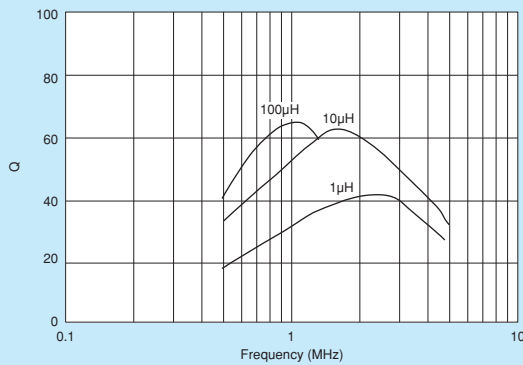
Continued on the following page. ↗

⚠Note • Please read rating and ⚠CAUTION (for storage, operating, rating, soldering, mounting and handling) in this catalog to prevent smoking and/or burning, etc.
• This catalog has only typical specifications. Therefore, please approve our product specifications or transact the approval sheet for product specifications before ordering.

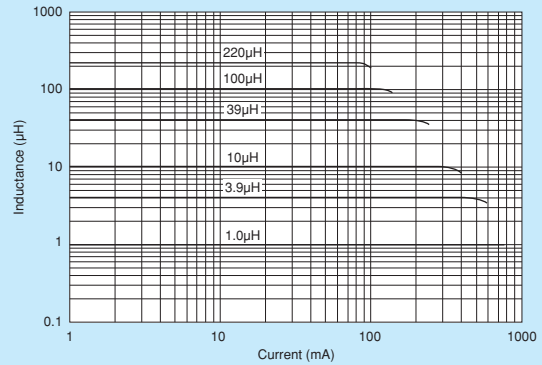
Part Number	Inductance	Test Frequency	Rated Current	Max. of DC Resistance	Q (min.)	Test Frequency	Self Resonance Frequency (min.)	
LQH32MN680J23□	68μH ±5%	1MHz	80mA	5.5ohm	40	1MHz	9MHz	
LQH32MN680K23□	68μH ±10%	1MHz	80mA	5.5ohm	40	1MHz	9MHz	Kit
LQH32MN820J23□	82μH ±5%	1MHz	70mA	6.2ohm	40	1MHz	8.5MHz	
LQH32MN820K23□	82μH ±10%	1MHz	70mA	6.2ohm	40	1MHz	8.5MHz	Kit
LQH32MN101J23□	100μH ±5%	1MHz	80mA	7.0ohm	40	796kHz	8MHz	
LQH32MN101K23□	100μH ±10%	1MHz	80mA	7.0ohm	40	796kHz	8MHz	Kit
LQH32MN121J23□	120μH ±5%	1MHz	75mA	8.0ohm	40	796kHz	7.5MHz	
LQH32MN121K23□	120μH ±10%	1MHz	75mA	8.0ohm	40	796kHz	7.5MHz	Kit
LQH32MN151J23□	150μH ±5%	1MHz	70mA	9.3ohm	40	796kHz	7MHz	
LQH32MN151K23□	150μH ±10%	1MHz	70mA	9.3ohm	40	796kHz	7MHz	Kit
LQH32MN181J23□	180μH ±5%	1MHz	65mA	10.2ohm	40	796kHz	6MHz	
LQH32MN181K23□	180μH ±10%	1MHz	65mA	10.2ohm	40	796kHz	6MHz	Kit
LQH32MN221J23□	220μH ±5%	1MHz	65mA	11.8ohm	40	796kHz	5.5MHz	
LQH32MN221K23□	220μH ±10%	1MHz	65mA	11.8ohm	40	796kHz	5.5MHz	Kit
LQH32MN271J23□	270μH ±5%	1MHz	65mA	12.5ohm	40	796kHz	5MHz	
LQH32MN271K23□	270μH ±10%	1MHz	65mA	12.5ohm	40	796kHz	5MHz	Kit
LQH32MN331J23□	330μH ±5%	1MHz	65mA	13.0ohm	40	796kHz	5MHz	
LQH32MN331K23□	330μH ±10%	1MHz	65mA	13.0ohm	40	796kHz	5MHz	Kit
LQH32MN391J23□	390μH ±5%	1MHz	50mA	22.0ohm	50	796kHz	5MHz	
LQH32MN391K23□	390μH ±10%	1MHz	50mA	22.0ohm	50	796kHz	5MHz	Kit
LQH32MN471J23□	470μH ±5%	1kHz	45mA	25.0ohm	50	796kHz	5MHz	
LQH32MN471K23□	470μH ±10%	1kHz	45mA	25.0ohm	50	796kHz	5MHz	Kit
LQH32MN561J23□	560μH ±5%	1kHz	40mA	28.0ohm	50	796kHz	5MHz	
LQH32MN561K23□	560μH ±10%	1kHz	40mA	28.0ohm	50	796kHz	5MHz	Kit

Class of Magnetic Shield: No magnetic shield
 Operating Temperature Range (Self-temperature rise is not included): -40°C to +85°C

■ Q-Frequency Characteristics (Typ.)



■ Inductance-Current Characteristics (Typ.)



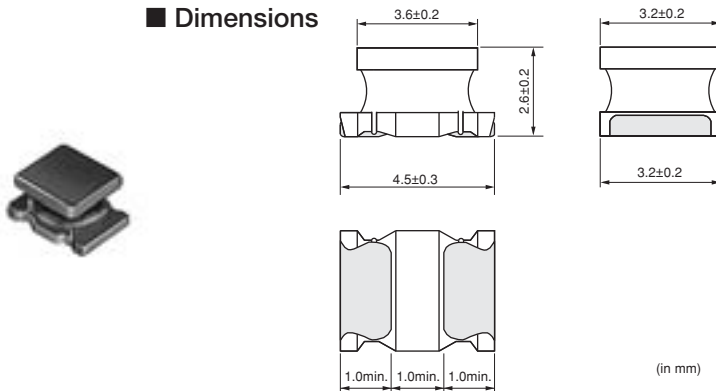
⚠Note • Please read rating and ⚠CAUTION (for storage, operating, rating, soldering, mounting and handling) in this catalog to prevent smoking and/or burning, etc.
 • This catalog has only typical specifications. Therefore, please approve our product specifications or transact the approval sheet for product specifications before ordering.

LQH43M/LQH43N Series (1812 Size)



1812 Size, Wound Type

■ Dimensions



■ Packaging

Code	Packaging	Minimum Quantity
L	180mm Embossed Tape	500
K	330mm Embossed Tape	2500

Refer to pages from p.115 to p.118 for mounting information.

■ Rated Value (□: packaging code)

Part Number	Inductance	Test Frequency	Rated Current	Max. of DC Resistance	Q (min.)	Test Frequency	Self Resonance Frequency (min.)	
LQH43MN1R0M03□	1.0μH ±20%	1MHz	500mA	0.20ohm	20	1MHz	120MHz	Kit
LQH43MN1R2M03□	1.2μH ±20%	1MHz	500mA	0.20ohm	20	1MHz	100MHz	Kit
LQH43MN1R5M03□	1.5μH ±20%	1MHz	500mA	0.30ohm	20	1MHz	85MHz	Kit
LQH43MN1R8M03□	1.8μH ±20%	1MHz	500mA	0.30ohm	20	1MHz	75MHz	Kit
LQH43MN2R2M03□	2.2μH ±20%	1MHz	500mA	0.30ohm	20	1MHz	62MHz	Kit
LQH43MN2R7M03□	2.7μH ±20%	1MHz	500mA	0.32ohm	20	1MHz	53MHz	Kit
LQH43MN3R3M03□	3.3μH ±20%	1MHz	500mA	0.35ohm	20	1MHz	47MHz	Kit
LQH43MN3R9M03□	3.9μH ±20%	1MHz	500mA	0.38ohm	20	1MHz	41MHz	Kit
LQH43MN4R7K03□	4.7μH ±10%	1MHz	500mA	0.40ohm	30	1MHz	38MHz	Kit
LQH43MN5R6K03□	5.6μH ±10%	1MHz	500mA	0.47ohm	30	1MHz	33MHz	Kit
LQH43MN6R8K03□	6.8μH ±10%	1MHz	450mA	0.50ohm	30	1MHz	31MHz	Kit
LQH43MN8R2K03□	8.2μH ±10%	1MHz	450mA	0.56ohm	30	1MHz	27MHz	Kit
LQH43MN100J03□	10μH ±5%	1MHz	400mA	0.56ohm	35	1MHz	23MHz	
LQH43MN100K03□	10μH ±10%	1MHz	400mA	0.56ohm	35	1MHz	23MHz	Kit
LQH43MN120J03□	12μH ±5%	1MHz	380mA	0.62ohm	35	1MHz	21MHz	
LQH43MN120K03□	12μH ±10%	1MHz	380mA	0.62ohm	35	1MHz	21MHz	Kit
LQH43MN150J03□	15μH ±5%	1MHz	360mA	0.73ohm	35	1MHz	19MHz	
LQH43MN150K03□	15μH ±10%	1MHz	360mA	0.73ohm	35	1MHz	19MHz	Kit
LQH43MN180J03□	18μH ±5%	1MHz	340mA	0.82ohm	35	1MHz	17MHz	
LQH43MN180K03□	18μH ±10%	1MHz	340mA	0.82ohm	35	1MHz	17MHz	Kit
LQH43MN220J03□	22μH ±5%	1MHz	320mA	0.94ohm	35	1MHz	15MHz	
LQH43MN220K03□	22μH ±10%	1MHz	320mA	0.94ohm	35	1MHz	15MHz	Kit
LQH43MN270J03□	27μH ±5%	1MHz	300mA	1.1ohm	35	1MHz	14MHz	
LQH43MN270K03□	27μH ±10%	1MHz	300mA	1.1ohm	35	1MHz	14MHz	Kit
LQH43MN330J03□	33μH ±5%	1MHz	270mA	1.2ohm	35	1MHz	12MHz	
LQH43MN330K03□	33μH ±10%	1MHz	270mA	1.2ohm	35	1MHz	12MHz	Kit
LQH43MN390J03□	39μH ±5%	1MHz	240mA	1.4ohm	35	1MHz	11MHz	
LQH43MN390K03□	39μH ±10%	1MHz	240mA	1.4ohm	35	1MHz	11MHz	Kit
LQH43MN470J03□	47μH ±5%	1MHz	220mA	1.5ohm	35	1MHz	10MHz	
LQH43MN470K03□	47μH ±10%	1MHz	220mA	1.5ohm	35	1MHz	10MHz	Kit
LQH43MN560J03□	56μH ±5%	1MHz	200mA	1.7ohm	35	1MHz	9.3MHz	
LQH43MN560K03□	56μH ±10%	1MHz	200mA	1.7ohm	35	1MHz	9.3MHz	Kit

Class of Magnetic Shield: No magnetic shield

Operating Temperature Range (Self-temperature rise is not included): -40°C to +85°C


Continued on the following page. ↗

△Note • Please read rating and △CAUTION (for storage, operating, rating, soldering, mounting and handling) in this catalog to prevent smoking and/or burning, etc.
• This catalog has only typical specifications. Therefore, please approve our product specifications or transact the approval sheet for product specifications before ordering.

Part Number	Inductance	Test Frequency	Rated Current	Max. of DC Resistance	Q (min.)	Test Frequency	Self Resonance Frequency (min.)	
LQH43MN680J03□	68μH ±5%	1MHz	180mA	1.9ohm	35	1MHz	8.4MHz	
LQH43MN680K03□	68μH ±10%	1MHz	180mA	1.9ohm	35	1MHz	8.4MHz	Kit
LQH43MN820J03□	82μH ±5%	1MHz	170mA	2.2ohm	35	1MHz	7.5MHz	
LQH43MN820K03□	82μH ±10%	1MHz	170mA	2.2ohm	35	1MHz	7.5MHz	Kit
LQH43MN101J03□	100μH ±5%	1MHz	160mA	2.5ohm	40	796kHz	6.8MHz	
LQH43MN101K03□	100μH ±10%	1MHz	160mA	2.5ohm	40	796kHz	6.8MHz	Kit
LQH43MN121J03□	120μH ±5%	1MHz	150mA	3.0ohm	40	796kHz	6.2MHz	
LQH43MN121K03□	120μH ±10%	1MHz	150mA	3.0ohm	40	796kHz	6.2MHz	Kit
LQH43MN151J03□	150μH ±5%	1MHz	130mA	3.7ohm	40	796kHz	5.5MHz	
LQH43MN151K03□	150μH ±10%	1MHz	130mA	3.7ohm	40	796kHz	5.5MHz	Kit
LQH43MN181J03□	180μH ±5%	1MHz	120mA	4.5ohm	40	796kHz	5MHz	
LQH43MN181K03□	180μH ±10%	1MHz	120mA	4.5ohm	40	796kHz	5MHz	Kit
LQH43MN221J03□	220μH ±5%	1MHz	110mA	5.4ohm	40	796kHz	4.5MHz	
LQH43MN221K03□	220μH ±10%	1MHz	110mA	5.4ohm	40	796kHz	4.5MHz	Kit
LQH43MN271J03□	270μH ±5%	1MHz	100mA	6.8ohm	40	796kHz	4MHz	
LQH43MN271K03□	270μH ±10%	1MHz	100mA	6.8ohm	40	796kHz	4MHz	Kit
LQH43MN331J03□	330μH ±5%	1MHz	95mA	8.2ohm	40	796kHz	3.6MHz	
LQH43MN331K03□	330μH ±10%	1MHz	95mA	8.2ohm	40	796kHz	3.6MHz	Kit
LQH43MN391J03□	390μH ±5%	1MHz	90mA	9.7ohm	40	796kHz	3.3MHz	
LQH43MN391K03□	390μH ±10%	1MHz	90mA	9.7ohm	40	796kHz	3.3MHz	Kit
LQH43MN471J03□	470μH ±5%	1kHz	80mA	11.8ohm	40	796kHz	3MHz	
LQH43MN471K03□	470μH ±10%	1kHz	80mA	11.8ohm	40	796kHz	3MHz	Kit
LQH43MN561J03□	560μH ±5%	1kHz	70mA	14.5ohm	40	796kHz	2.7MHz	
LQH43MN561K03□	560μH ±10%	1kHz	70mA	14.5ohm	40	796kHz	2.7MHz	Kit
LQH43MN681J03□	680μH ±5%	1kHz	65mA	17.0ohm	40	796kHz	2.5MHz	
LQH43MN681K03□	680μH ±10%	1kHz	65mA	17.0ohm	40	796kHz	2.5MHz	Kit
LQH43MN821J03□	820μH ±5%	1kHz	60mA	20.5ohm	40	796kHz	2.2MHz	
LQH43MN821K03□	820μH ±10%	1kHz	60mA	20.5ohm	40	796kHz	2.2MHz	Kit
LQH43MN102J03□	1000μH ±5%	1kHz	50mA	25.0ohm	40	252kHz	2MHz	
LQH43MN102K03□	1000μH ±10%	1kHz	50mA	25.0ohm	40	252kHz	2MHz	Kit
LQH43MN122J03□	1200μH ±5%	1kHz	45mA	30.0ohm	40	252kHz	1.8MHz	
LQH43MN122K03□	1200μH ±10%	1kHz	45mA	30.0ohm	40	252kHz	1.8MHz	Kit
LQH43MN152J03□	1500μH ±5%	1kHz	40mA	37.0ohm	40	252kHz	1.6MHz	
LQH43MN152K03□	1500μH ±10%	1kHz	40mA	37.0ohm	40	252kHz	1.6MHz	Kit
LQH43NN182J03□	1800μH ±5%	1kHz	35mA	45.0ohm	40	252kHz	1.5MHz	
LQH43NN182K03□	1800μH ±10%	1kHz	35mA	45.0ohm	40	252kHz	1.5MHz	Kit
LQH43NN222J03□	2200μH ±5%	1kHz	30mA	50.0ohm	40	252kHz	1.3MHz	
LQH43NN222K03□	2200μH ±10%	1kHz	30mA	50.0ohm	40	252kHz	1.3MHz	Kit

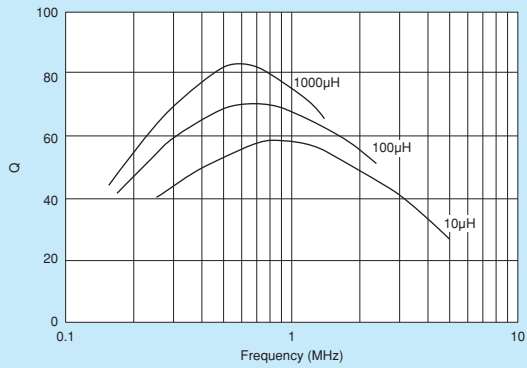
Class of Magnetic Shield: No magnetic shield

Operating Temperature Range (Self-temperature rise is not included): -40°C to +85°C

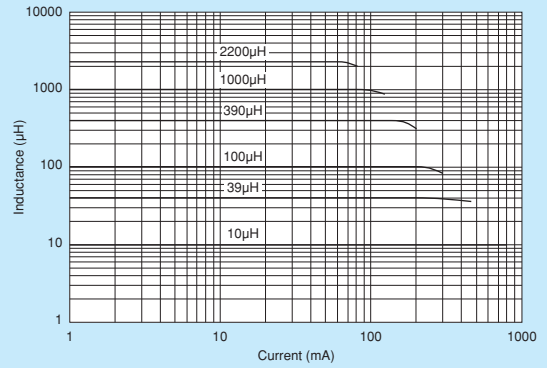
Continued on the following page. 

△Note • Please read rating and △CAUTION (for storage, operating, rating, soldering, mounting and handling) in this catalog to prevent smoking and/or burning, etc.
 • This catalog has only typical specifications. Therefore, please approve our product specifications or transact the approval sheet for product specifications before ordering.

■ Q-Frequency Characteristics (Typ.)



■ Inductance-Current Characteristics (Typ.)



Inductor for Power Lines (Power Inductor)

Wire Wound Magnetic Type
Inductor for Low Frequency Circuits

RF Inductor

⚠Note • Please read rating and ⚠CAUTION (for storage, operating, rating, soldering, mounting and handling) in this catalog to prevent smoking and/or burning, etc.
• This catalog has only typical specifications. Therefore, please approve our product specifications or transact the approval sheet for product specifications before ordering.

⚠Caution

● Rating

Do not use products beyond the rated current as this may create excessive heat.

Notice

● Storage and Operating Condition

<Operating Environment>

Do not use products in chemical atmosphere such as chlorine gas, acid or sulfide gas.

<Storage Requirements>

1. Storage Period

LQM series should be used within 6 months; the other products should be used within 12 months. Check solderability if this period is exceeded.

2. Storage Conditions

(1) Store products in a warehouse in compliance with the following conditions:

Temperature: -10 to +40 degrees C.

Humidity: 15 to 85% (relative humidity)

Do not subject products to rapid changes in temperature and humidity.

Do not store them in chemical atmosphere such as one containing sulfurous acid gas or alkaline gas.

This will prevent electrode oxidation which causes poor solderability and possible corrosion of inductors.

(2) Do not store products in bulk packaging to prevent collision among inductors which causes core chipping and wire breakage.

(3) Store products on pallets to protect from humidity, dust, etc.

(4) Avoid heat shock, vibration, direct sunlight, etc.

● Handling

This item is designed to have sufficient strength, but handle with care to avoid chipping or breaking its ceramic structure.

LQH_M/N series

- To prevent breaking the wire, avoid touching with sharp material, such as tweezers or other material such as bristles of cleaning brush, to the wire wound portion of this product.
- To prevent breaking the core, avoid applying excessive mechanical shock to products mounted on the board.

LQM series

- There is the possibility that magnetism may change the inductance value. Do not use a magnet or tweezers with magnetism when handling chip inductors. (The tip of the tweezers should be molded with resin or pottery.)
- When the excessive current over rated current is applied, it may cause the inductance value to change due to magnetism.

<Handling>

1. Avoid applying excessive stress to products to prevent damage.
2. Do not touch wire wound with sharp objects such as tweezers to prevent wire breakage.
3. Do not apply excessive force to products mounted on boards to prevent core breakage.

<Transportation>

Do not apply excessive vibration or mechanical shock to products.

<Resin Coating>

When coating products with resin, the relatively high resin curing stress may change inductance values. For exterior coating, select resin carefully so that electrical and mechanical performance of the product is not affected. Prior to use, please evaluate reliability with the product mounted in your application set.

(LQH series)

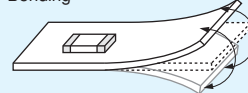
An open circuit issue may occur by mechanical stress caused by the resin, amount/cured shape of resin, or operating condition etc. Some resins containing impurities or chloride may possibly generate chlorine by hydrolysis under some operating condition may cause corrosion of wire of inductor, leading to open circuit.

<Handling of a Substrate>

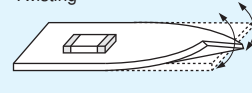
After mounting products on a substrate, do not apply any stress to the product caused by bending or twisting to the substrate when cropping the substrate, inserting and removing a connector from the substrate or tightening screw to the substrate.

Excessive mechanical stress may cause cracking in the Product.

Bending

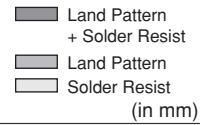


Twisting



1. Standard Land Pattern Dimensions

A high Q value is achieved when the PCB electrode land pattern is designed so that it does not project beyond the chip inductor (chip coil) electrode.



Series	Standard Land Dimensions																						
LQM18N LQM21N LQH31M		<table border="1"> <thead> <tr> <th>Part Number</th> <th>a</th> <th>b</th> <th>c</th> </tr> </thead> <tbody> <tr> <td rowspan="2">LQM18N</td> <td>Flow</td> <td rowspan="2">0.7</td> <td>2.2-2.6</td> <td rowspan="2">0.7</td> </tr> <tr> <td>Reflow</td> <td>1.8-2.0</td> </tr> <tr> <td>LQM21N</td> <td>1.2</td> <td>3.0-4.0</td> <td>1.0</td> </tr> <tr> <td>LQH31M</td> <td>1.0</td> <td>4.5</td> <td>1.5</td> </tr> </tbody> </table>			Part Number	a	b	c	LQM18N	Flow	0.7	2.2-2.6	0.7	Reflow	1.8-2.0	LQM21N	1.2	3.0-4.0	1.0	LQH31M	1.0	4.5	1.5
		Part Number	a	b	c																		
LQM18N	Flow	0.7	2.2-2.6	0.7																			
	Reflow		1.8-2.0																				
LQM21N	1.2	3.0-4.0	1.0																				
LQH31M	1.0	4.5	1.5																				
LQH32M																							
LQH43M LQH43N																							

Attention should be paid to potential magnetic coupling effects when using the inductor (coil) as a resonator.

2. Standard Soldering Conditions

(1) Soldering method

Chip inductor (Chip coils) can be flow or reflow soldered.
Please contact Murata regarding other soldering methods.

Solder: Use Sn-3.0Ag-0.5Cu solder.

Flux: Use rosin-based flux, but not strongly acidic flux (with chlorine content exceeding 0.2wt%).

Do not use water-soluble flux.

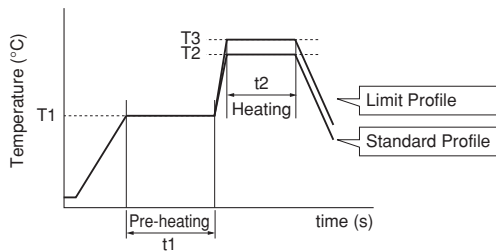
For additional mounting methods, please contact Murata.

Continued on the following page.

⚠Note • Please read rating and ⚠CAUTION (for storage, operating, rating, soldering, mounting and handling) in this catalog to prevent smoking and/or burning, etc.
• This catalog has only typical specifications. Therefore, please approve our product specifications or transact the approval sheet for product specifications before ordering.

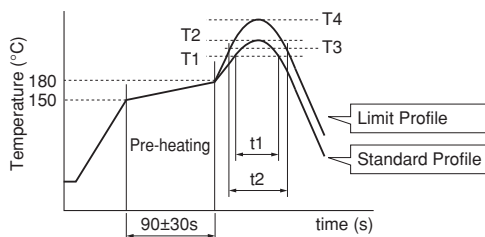
(2) Soldering profile

● Flow Soldering profile
(Sn-3.0Ag-0.5Cu solder)



Series	Pre-heating		Standard Profile			Limit Profile		
	Temp. (T1)	Time. (t1)	Heating		Cycle of flow	Heating		Cycle of flow
			Temp. (T2)	Time. (t2)		Temp. (T3)	Time. (t2)	
LQM18N LQM21N LQH31M	150°C	60s min.	250°C	4 to 6s	2 times max.	265±3°C	5s max.	2 times max.
LQH32M LQH43M(N)	150°C	60s min.	250°C	4 to 6s	2 times max.	265±3°C	5s max.	1 times

● Reflow Soldering profile
(Sn-3.0Ag-0.5Cu solder)



Series	Standard Profile				Limit Profile			
	Heating		Peak temperature (T2)	Cycle of reflow	Heating		Peak temperature (T4)	Cycle of reflow
	Temp. (T1)	Time. (t1)			Temp. (T3)	Time. (t2)		
LQM18N LQM21N LQH31M	220°C	30 to 60s	245±3°C	2 times max.	230°C	60s max.	260°C/10s	2 times max.
LQH32M LQH43M(N)	220°C	30 to 60s	245±3°C	2 times max.	230°C	60s max.	260°C/10s	1 time

(3) Reworking with Soldering Iron

Preheating at 150°C for 1 minute is required. Do not directly touch the ceramic element with the tip of the soldering iron. The reworking soldering conditions are as follows:

Soldering iron power output: 80W max.
Temperature of soldering iron tip: 350°C
Diameter of soldering iron end: 3.0mm max.
Soldering time: within 3 s

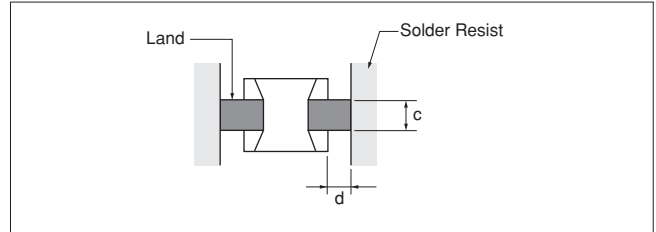
Continued on the following page.

△Note • Please read rating and △CAUTION (for storage, operating, rating, soldering, mounting and handling) in this catalog to prevent smoking and/or burning, etc.
• This catalog has only typical specifications. Therefore, please approve our product specifications or transact the approval sheet for product specifications before ordering.

3. Mounting Instructions

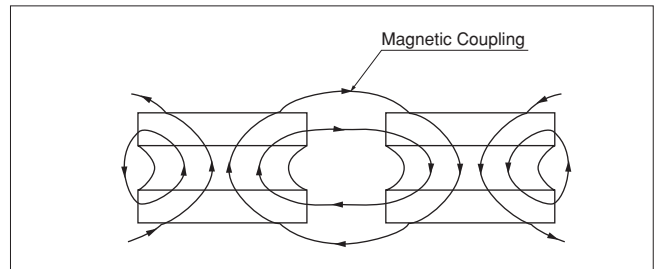
(1) Land Pattern Dimensions

Large lands reduce Q of the mounted chip. Also, large protruding land areas (bordered by lines having dimensions 'c' and 'd' shown) cause floating and electrode leaching.



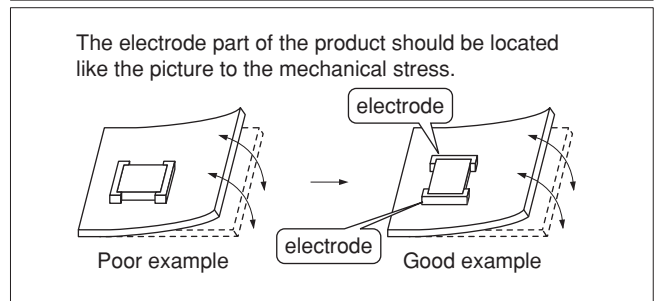
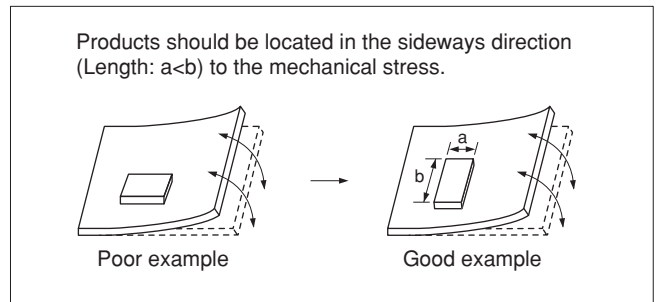
(2) Magnetic Coupling

Since some chip inductors (chip coils) are constructed like an open magnetic circuit, narrow spacing between inductors (coils) may cause magnetic coupling. LQM series have a magnetically shielded structure. The structure makes their coupling coefficient smaller than that of conventional chip inductors (chip coils).



(3) PCB Warping

PCB should be designed so that products are not subjected to the mechanical stress caused by warping the board.

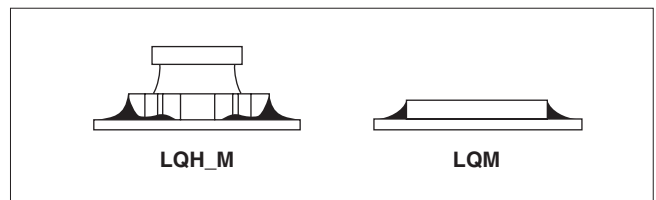


(4) Amount of Solder Paste

Excessive solder causes electrode corrosion, while insufficient solder causes low electrode bonding strength. Adjust the amount of solder paste as shown on the right so that solder is applied.

● Guideline of solder paste thickness

- LQM: 100 to 150µm
- LQHs except for ones written above: 200 to 300µm




Continued on the following page.

⚠Note • Please read rating and ⚠CAUTION (for storage, operating, rating, soldering, mounting and handling) in this catalog to prevent smoking and/or burning, etc.
• This catalog has only typical specifications. Therefore, please approve our product specifications or transact the approval sheet for product specifications before ordering.

(5) Amount of Adhesive

If too much adhesive is applied, then it may overflow into the land or termination areas and yield poor solderability. In contrast, if insufficient adhesive is applied, or if the adhesive is not sufficiently hardened, then the chip may become detached during flow soldering. Apply the adhesive in accordance with the conditions shown in chart.



Part Number	Typical Application Amount (in:mg)
	IR-100
LQM18N	0.06-0.07
LQM21N	0.20-0.25
LQH31M	0.20-0.25
LQH32M	0.27-0.35
LQH43M(N)	0.60-0.80

4. Cleaning

The following conditions should be observed when cleaning chip inductors (chip coils):

- (1) Cleaning Temperature: 60°C max. (40°C max. for alcohol cleaning agents)
- (2) Ultrasonic
 - Output: 20W/l max.
 - Duration: 5 minutes max.
 - Frequency: 28 to 40kHz
 - Care should be taken not to cause resonance of the PCB and mounted products.
- (3) Cleaning agent

The following cleaning agents have been tested on individual components. Evaluation in complete assembly should be done prior to production.

 - (a) Alcohol cleaning agents
 - Isopropyl alcohol (IPA)
 - (b) Aqueous cleaning agents
 - Pine Alpha ST-100S

- (4) Ensure that flux residue is completely removed. Component should be thoroughly dried after aqueous agents have been removed with deionized water.

For additional cleaning methods, please contact Murata.

⚠Note • Please read rating and ⚠CAUTION (for storage, operating, rating, soldering, mounting and handling) in this catalog to prevent smoking and/or burning, etc.
• This catalog has only typical specifications. Therefore, please approve our product specifications or transact the approval sheet for product specifications before ordering.

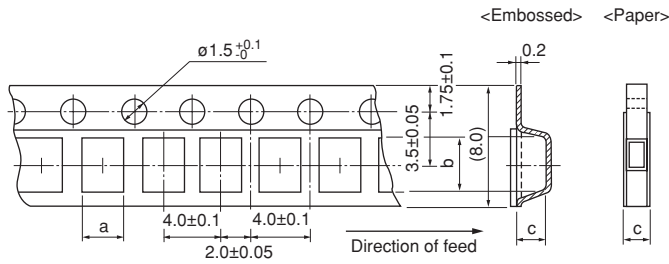
Inductor for Power Lines (Power Inductor)

Inductor for Low Frequency Circuits

Soldering and Mounting

RF Inductor

Minimum Quantity and 8mm Width Taping Dimensions



Dimension of the cavity of embossed tape is measured at the bottom side.

Paper Tape

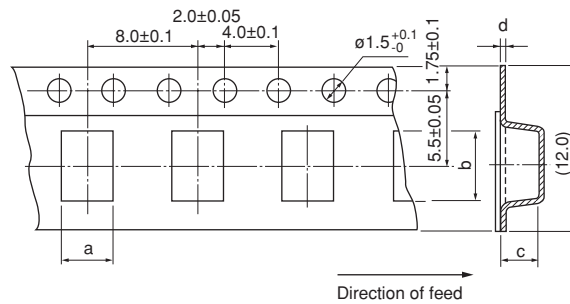
Part Number	Dimensions		Total Thickness of Tape	Packaging Code (Minimum Qty. [pcs.])		
	a	b		c	ø180mm reel	ø330mm reel
LQM21N (0.1-2.2μH)	1.45	2.25	1.1 max.	D [4000]	J [10000]	B [1000]
LQM18N	1.05	1.85	1.1 max.	D [4000]	J [10000]	B [1000]

Embossed Tape

Part Number	Dimensions		Depth of Cavity	Packaging Code (Minimum Qty. [pcs.])		
	a	b		c	ø180mm reel	ø330mm reel
LQM21N (2.7-4.7μH)	1.45	2.25	1.3	L [3000]	K [10000]	B [1000]
LQH31M	1.9	3.6	2.0	L [2000]	K [7500]	-
LQH32M	2.9	3.6	2.1	L [2000]	K [7500]	-

(in mm)

Minimum Quantity and 12mm Width Embossed Taping Dimensions



Dimension of the cavity of embossed tape is measured at the bottom side.

Embossed Tape

Part Number	Dimensions (*c: Depth of Cavity)				Packaging Code (Minimum Qty. [pcs.])		
	a	b	c	d	ø180mm reel	ø330mm reel	Bulk
LQH43M(N)	3.6	4.9	2.7	0.3	L [500]	K [2500]	-

(in mm)

⚠Note • Please read rating and ⚠CAUTION (for storage, operating, rating, soldering, mounting and handling) in this catalog to prevent smoking and/or burning, etc.
• This catalog has only typical specifications. Therefore, please approve our product specifications or transact the approval sheet for product specifications before ordering.

■ Holder Type



●EKLMM21NB (for General Use Multilayer Type)

No.	Part Number	Quantity (pcs.)	Inductance		Q (min.)	DC Resistance (Ω) max.	Rated Current (mA)
			Nominal	Tolerance			
1	LQM18NN47NM00	10	47nH	±20%	10	0.30	50
2	LQM18NN68NM00	10	68nH	±20%	10	0.30	50
3	LQM18NN82NM00	10	82nH	±20%	10	0.30	50
4	LQM18NNR10K00	10	100nH	±10%	15	0.50	50
5	LQM18NNR12K00	10	120nH	±10%	15	0.50	50
6	LQM18NNR15K00	10	150nH	±10%	15	0.60	50
7	LQM18NNR18K00	10	180nH	±10%	15	0.60	50
8	LQM18NNR22K00	10	220nH	±10%	15	0.80	50
9	LQM18NNR27K00	10	270nH	±10%	15	0.80	50
10	LQM18NNR33K00	10	330nH	±10%	15	0.85	35
11	LQM18NNR39K00	10	390nH	±10%	15	1.00	35
12	LQM18NNR47K00	10	470nH	±10%	15	1.35	35
13	LQM18NNR56K00	10	560nH	±10%	15	1.55	35
14	LQM18NNR68K00	10	680nH	±10%	15	1.70	35
15	LQM18NNR82K00	10	820nH	±10%	15	2.10	35
16	LQM18NN1R0K00	10	1000nH	±10%	35	0.60	25
17	LQM18NN1R2K00	10	1200nH	±10%	35	0.80	25
18	LQM18NN1R5K00	10	1500nH	±10%	35	0.80	25
19	LQM18NN1R8K00	10	1800nH	±10%	35	0.95	25
20	LQM18NN2R2K00	10	2200nH	±10%	35	1.15	15

●EKLMM21NB (for General Use Multilayer Type)

No.	Part Number	Quantity (pcs.)	Inductance		Q (min.)	DC Resistance (Ω) max.	Rated Current (mA)
			Nominal	Tolerance			
1	LQM21NNR10K10	10	0.1μH	±10%	20	0.26	250
2	LQM21NNR12K10	10	0.12μH	±10%	20	0.29	250
3	LQM21NNR15K10	10	0.15μH	±10%	20	0.32	250
4	LQM21NNR18K10	10	0.18μH	±10%	20	0.35	250
5	LQM21NNR22K10	10	0.22μH	±10%	20	0.38	250
6	LQM21NNR27K10	10	0.27μH	±10%	20	0.42	250
7	LQM21NNR33K10	10	0.33μH	±10%	20	0.48	250
8	LQM21NNR39K10	10	0.39μH	±10%	25	0.53	200
9	LQM21NNR47K10	10	0.47μH	±10%	25	0.57	200
10	LQM21NNR56K10	10	0.56μH	±10%	25	0.63	150
11	LQM21NNR68K10	10	0.68μH	±10%	25	0.72	150
12	LQM21NNR82K10	10	0.82μH	±10%	25	0.81	150
13	LQM21NN1R0K10	10	1.0μH	±10%	45	0.40	50
14	LQM21NN1R2K10	10	1.2μH	±10%	45	0.47	50
15	LQM21NN1R5K10	10	1.5μH	±10%	45	0.50	50
16	LQM21NN1R8K10	10	1.8μH	±10%	45	0.57	50
17	LQM21NN2R2K10	10	2.2μH	±10%	45	0.63	30
18	LQM21NN2R7K10	10	2.7μH	±10%	45	0.69	30
19	LQM21NN3R3K10	10	3.3μH	±10%	45	0.80	30
20	LQM21NN3R9K10	10	3.9μH	±10%	45	0.89	30
21	LQM21NN4R7K10	10	4.7μH	±10%	45	1.00	30

●EKLMMH32MC (for General Use Wire Wound Type)

No.	Part Number	Quantity (pcs.)	Inductance		DC Resistance (Ω) max.	Rated Current (mA)
			Nominal	Tolerance		
1	LQH32MN1R0M23	10	1.0μH	±20%	0.50	445
2	LQH32MN1R2M23	10	1.2μH	±20%	0.60	425
3	LQH32MN1R5K23	10	1.5μH	±10%	0.60	400
4	LQH32MN1R8K23	10	1.8μH	±10%	0.70	390
5	LQH32MN2R2K23	10	2.2μH	±10%	0.80	370
6	LQH32MN2R7K23	10	2.7μH	±10%	0.90	320

Continued on the following page.

△Note • Please read rating and △CAUTION (for storage, operating, rating, soldering, mounting and handling) in this catalog to prevent smoking and/or burning, etc.
 • This catalog has only typical specifications. Therefore, please approve our product specifications or transact the approval sheet for product specifications before ordering.

Continued from the preceding page.

No.	Part Number	Quantity (pcs.)	Inductance		DC Resistance (Ω) max.	Rated Current (mA)
			Nominal	Tolerance		
7	LQH32MN3R3K23	10	3.3μH	±10%	1.00	300
8	LQH32MN3R9K23	10	3.9μH	±10%	1.10	290
9	LQH32MN4R7K23	10	4.7μH	±10%	1.20	270
10	LQH32MN5R6K23	10	5.6μH	±10%	1.30	250
11	LQH32MN6R8K23	10	6.8μH	±10%	1.50	240
12	LQH32MN8R2K23	10	8.2μH	±10%	1.60	225
13	LQH32MN100K23	10	10μH	±10%	1.8	190
14	LQH32MN120K23	10	12μH	±10%	2.0	180
15	LQH32MN150K23	10	15μH	±10%	2.2	170
16	LQH32MN180K23	10	18μH	±10%	2.5	165
17	LQH32MN220K23	10	22μH	±10%	2.8	150
18	LQH32MN270K23	10	27μH	±10%	3.1	125
19	LQH32MN330K23	10	33μH	±10%	3.5	115
20	LQH32MN390K23	10	39μH	±10%	3.9	110
21	LQH32MN470K23	10	47μH	±10%	4.3	100
22	LQH32MN560K23	10	56μH	±10%	4.9	85
23	LQH32MN680K23	10	68μH	±10%	5.5	80
24	LQH32MN820K23	10	82μH	±10%	6.2	70
25	LQH32MN101K23	10	100μH	±10%	7.0	80
26	LQH32MN121K23	10	120μH	±10%	8.0	75
27	LQH32MN151K23	10	150μH	±10%	9.3	70
28	LQH32MN181K23	10	180μH	±10%	10.2	65
29	LQH32MN221K23	10	220μH	±10%	11.8	65
30	LQH32MN271K23	10	270μH	±10%	12.5	65
31	LQH32MN331K23	10	330μH	±10%	13.0	65
32	LQH32MN391K23	10	390μH	±10%	22.0	50
33	LQH32MN471K23	10	470μH	±10%	25.0	45
34	LQH32MN561K23	10	560μH	±10%	28.0	40

●EKL43MB (for General Use Wire Wound Type)

No.	Part Number	Quantity (pcs.)	Inductance		DC Resistance (Ω) max.	Rated Current (mA)
			Nominal	Tolerance		
1	LQH43MN1R0M03	10	1.0μH	±20%	0.20	500
2	LQH43MN1R2M03	10	1.2μH	±20%	0.20	500
3	LQH43MN1R5M03	10	1.5μH	±20%	0.30	500
4	LQH43MN1R8M03	10	1.8μH	±20%	0.30	500
5	LQH43MN2R2M03	10	2.2μH	±20%	0.30	500
6	LQH43MN2R7M03	10	2.7μH	±20%	0.32	500
7	LQH43MN3R3M03	10	3.3μH	±20%	0.35	500
8	LQH43MN3R9M03	10	3.9μH	±20%	0.38	500
9	LQH43MN4R7K03	10	4.7μH	±10%	0.40	500
10	LQH43MN5R6K03	10	5.6μH	±10%	0.47	500
11	LQH43MN6R8K03	10	6.8μH	±10%	0.50	450
12	LQH43MN8R2K03	10	8.2μH	±10%	0.56	450
13	LQH43MN100K03	10	10μH	±10%	0.56	400
14	LQH43MN120K03	10	12μH	±10%	0.62	380
15	LQH43MN150K03	10	15μH	±10%	0.73	360
16	LQH43MN180K03	10	18μH	±10%	0.82	340
17	LQH43MN220K03	10	22μH	±10%	0.94	320
18	LQH43MN270K03	10	27μH	±10%	1.10	300
19	LQH43MN330K03	10	33μH	±10%	1.20	270
20	LQH43MN390K03	10	39μH	±10%	1.40	240
21	LQH43MN470K03	10	47μH	±10%	1.50	220
22	LQH43MN560K03	10	56μH	±10%	1.7	200
23	LQH43MN680K03	10	68μH	±10%	1.9	180
24	LQH43MN820K03	10	82μH	±10%	2.2	170
25	LQH43MN101K03	10	100μH	±10%	2.5	160
26	LQH43MN121K03	10	120μH	±10%	3.0	150
27	LQH43MN151K03	10	150μH	±10%	3.7	130
28	LQH43MN181K03	10	180μH	±10%	4.5	120
29	LQH43MN221K03	10	220μH	±10%	5.4	110
30	LQH43MN271K03	10	270μH	±10%	6.8	100
31	LQH43MN331K03	10	330μH	±10%	8.2	95
32	LQH43MN391K03	10	390μH	±10%	9.7	90
33	LQH43MN471K03	10	470μH	±10%	11.8	80

Continued on the following page. ↗

⚠Note • Please read rating and ⚠CAUTION (for storage, operating, rating, soldering, mounting and handling) in this catalog to prevent smoking and/or burning, etc.
• This catalog has only typical specifications. Therefore, please approve our product specifications or transact the approval sheet for product specifications before ordering.

Continued from the preceding page.

No.	Part Number	Quantity (pcs.)	Inductance		DC Resistance (Ω) max.	Rated Current (mA)
			Nominal	Tolerance		
34	LQH43MN561K03	10	560μH	±10%	14.5	70
35	LQH43MN681K03	10	680μH	±10%	17.0	65
36	LQH43MN821K03	10	820μH	±10%	20.5	60
37	LQH43MN102K03	10	1000μH	±10%	25.0	50
38	LQH43MN122K03	10	1200μH	±10%	30.0	45
39	LQH43MN152K03	10	1500μH	±10%	37.0	40
40	LQH43NN182K03	10	1800μH	±10%	45.0	35
41	LQH43NN222K03	10	2200μH	±10%	50.0	30

△Note • Please read rating and △CAUTION (for storage, operating, rating, soldering, mounting and handling) in this catalog to prevent smoking and/or burning, etc.
 • This catalog has only typical specifications. Therefore, please approve our product specifications or transact the approval sheet for product specifications before ordering.

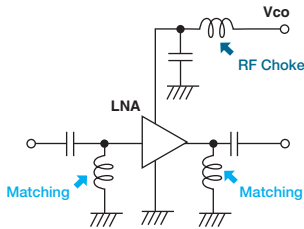
● RF Inductor

Introduction	124
Part Numbering	125
Product Detail	126
⚠Caution/Notice	184
Soldering and Mounting	186
Packaging	190
Design Kits	191

Introduction of RF Inductor

Application of RF Inductor

LNA



For Matching

High Q or tight inductance tolerance is required to improve signal quality. Especially, film type is suitable at receiver circuit because tight tolerance is required.

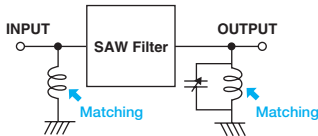
- Recommended
- | | |
|---------------------------------|-----------------|
| Film Type | Wire Wound Type |
| LQP03T Series (for miniaturize) | LQW15A Series |
| LQP15M Series | LQW18A Series |
| Multilayer Type | LQW18A Series |
| LQG15H Series | |

For RF Choke

Low DC resistance is required because of large operation current. Wire wound type or multilayer type is suitable.

- Recommended
- | |
|-----------------|
| Wire Wound Type |
| LQW15A Series |
| LQW18A Series |
| Multilayer Type |
| LQG15H Series |

IF SAW Filter

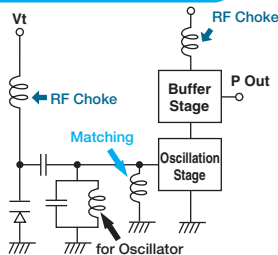


For Matching

High Q is required to reduce signal loss. Wire wound type and film type are suitable when tight tolerance is essential.

- Recommended
- | | |
|-----------------|-----------------|
| Wire Wound Type | Multilayer Type |
| LQW15A Series | LQG15H Series |
| LQW18A Series | |
| LQW2BH Series | |
| Film Type | |
| LQP03T Series | |
| LQP15M Series | |

VCO



For Matching

For Oscillator

High Q or tight inductance tolerance is required to stabilize oscillation and signal quality. Wire wound type is suitable for high Q, film type is suitable for tight tolerance.

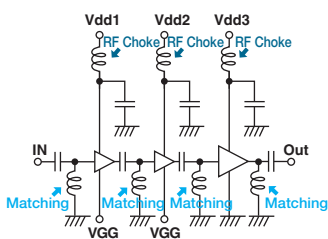
- Recommended
- | | |
|-------------------------------------|-----------------------------|
| Wire Wound Type | Film Type |
| LQW15A Series | LQP03T Series |
| LQW18A Series | (for miniaturize) |
| LQW18A_10 Series | LQP15M Series |
| (for output efficiency improvement) | (for frequency selectivity) |
| | Multilayer Type |
| | LQG15H Series |

For RF Choke

Low DC resistance is required because of large operation current. Wire wound type or multilayer type is suitable.

- Recommended
- | |
|------------------|
| Wire Wound Type |
| LQW15A Series |
| LQW18A Series |
| LQW18A_10 Series |
| Multilayer Type |
| LQG15H Series |

PA



For Matching

Small shape is required. Film type is suitable because of its tight inductance tolerance and fine inductance step.

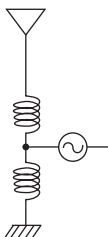
- Recommended
- | |
|---|
| Film Type |
| LQP02T Series |
| LQP03T Series (for miniaturize) |
| LQP15M Series (for frequency selectivity) |
| Multilayer Type |
| LQG15H Series |

For RF Choke

Low DC resistance is required because of large operation current. Especially, wire wound type is suitable for GSM because over 1A of current is working.

- Recommended
- | | |
|-------------------------------------|-----------------|
| Wire Wound Type | Multilayer Type |
| LQW15A Series | LQG15H Series |
| LQW18A Series | |
| LQW18A_10 Series | |
| LQW2BH Series | |
| (for output efficiency improvement) | |

ANTENNA



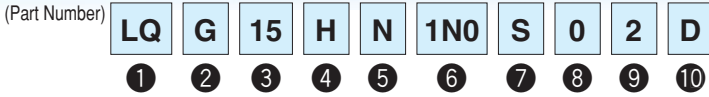
For Matching

LQW series is suitable to get high antenna sensitivity because of its high Q and tight tolerance spec.

- Recommended
- | |
|-----------------|
| Wire Wound Type |
| LQW15A Series |
| LQW18A Series |

△Note • Please read rating and △CAUTION (for storage, operating, rating, soldering, mounting and handling) in this catalog to prevent smoking and/or burning, etc.
• This catalog has only typical specifications. Therefore, please approve our product specifications or transact the approval sheet for product specifications before ordering.

RF Inductor Part Numbering



① Product ID

Product ID	
LQ	Chip Inductors (Chip Coils)

② Structure

Code	Structure
G	Multilayer Type (Air-core Inductor (Coil))
H	Wire Wound Type (Ferrite Core)
P	Film Type
W	Wire Wound Type (Air-core Inductor (Coil))
	Wire Wound Type (Ferrite Core)

③ Dimensions (L×W)

Code	Dimensions (L×W)	EIA
02	0.4×0.2mm	01005
03	0.6×0.3mm	0201
04	0.8×0.4mm	03015
15	1.0×0.5mm	0402
18	1.6×0.8mm	0603
21	2.0×1.25mm	0805
2B	2.0×1.5mm	0805
2U	2.5×2.0mm	1008
31	3.2×1.6mm	1206

④ Applications and Characteristics

Code	Series	Applications and Characteristics
H	LQG	Multilayer Air-core Inductor (Coil)
M	LQP	Film Type
T		Film Type (Low DC Resistance Type)
A	LQW	High Q Type (UHF-SHF)
H		High Q Type (VHF-UHF)
H	LQH	for High-frequency Resonant Circuit

⑤ Category

Code	Category
G/N	Standard Type
S	

⑩ Packaging

Code	Packaging	Series
K	Embossed Taping (ø330mm Reel)	LQH/LQW□□H*2
L	Embossed Taping (ø180mm Reel)	LQH/LQW2BA/LQW2UA/LQW□□H
B	Bulk	LQW/LQG/LQP
J	Paper Taping (ø330mm Reel)	LQW18A/LQG/LQP*1
D	Paper Taping (ø180mm Reel)	LQW□□A*3 /LQG/LQP

*1 Except LQP02T

*2 Except LQW21H

*3 Except LQW2BA/LQW2UA

⑥ Inductance

Expressed by three-digit alphanumeric. The unit is micro-henry (μH). The first and second figures are significant digits, and the third figure expresses the number of zeros which follow the two figures. If there is a decimal point, it is expressed by the capital letter "R". In this case, all figures are significant digits. If inductance is less than 0.1μH, the inductance code is expressed by a combination of two figures and the capital letter "N", and the unit of inductance is nano-henry (nH).

The capital letter "N" indicates the unit of "nH", and also expresses a decimal point. In this case, all figures are significant digits.

⑦ Inductance Tolerance

Code	Inductance Tolerance
B	±0.1nH
C	±0.2nH
D	±0.5nH
G	±2%
H	±3%
J	±5%
K	±10%
S	±0.3nH
W	±0.05nH

⑧ Features

Code	Features	Series
0	Standard Type	LQG/LQP/LQW/LQH*1
1	High-Q/ Low DC Resistance	LQW15A/18A/2BH

*1 Except LQH32 Series

⑨ Electrode

•Lead (Pb) Free

Code	Electrode	Series
0	Sn	LQG18H/LQW□□A/LQW□□C
2		LQG15H/LQP02T/LQP03T/LQP15T/ LQP□□M
3	LF Solder	LQW□□H/LQH

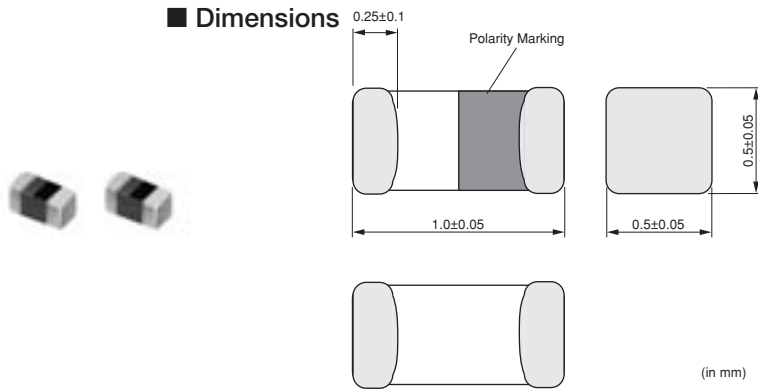
△Note • Please read rating and ⚠CAUTION (for storage, operating, rating, soldering, mounting and handling) in this catalog to prevent smoking and/or burning, etc.
• This catalog has only typical specifications. Therefore, please approve our product specifications or transact the approval sheet for product specifications before ordering.

LQG15HN Series (0402 Size)



0402 Size, Multilayer Type

■ Dimensions



■ Packaging

Code	Packaging	Minimum Quantity
D	180mm Paper Tape	10000
J	330mm Paper Tape	50000
B	Bulk(Bag)	1000

Refer to pages from p.186 to p.189 for mounting information.

■ Rated Value (□: packaging code)

Part Number	Inductance	Test Frequency	Rated Current	Max. of DC Resistance	Q (min.)	Test Frequency	Self Resonance Frequency (min.)
LQG15HN1N0S02□	1.0nH ±0.3nH	100MHz	300mA	0.10ohm	8	100MHz	6000MHz
LQG15HN1N1S02□	1.1nH ±0.3nH	100MHz	300mA	0.10ohm	8	100MHz	6000MHz
LQG15HN1N2S02□	1.2nH ±0.3nH	100MHz	300mA	0.10ohm	8	100MHz	6000MHz
LQG15HN1N3S02□	1.3nH ±0.3nH	100MHz	300mA	0.10ohm	8	100MHz	6000MHz
LQG15HN1N5S02□	1.5nH ±0.3nH	100MHz	300mA	0.10ohm	8	100MHz	6000MHz
LQG15HN1N6S02□	1.6nH ±0.3nH	100MHz	300mA	0.10ohm	8	100MHz	6000MHz
LQG15HN1N8S02□	1.8nH ±0.3nH	100MHz	300mA	0.10ohm	8	100MHz	6000MHz
LQG15HN2N0S02□	2.0nH ±0.3nH	100MHz	300mA	0.12ohm	8	100MHz	6000MHz
LQG15HN2N2S02□	2.2nH ±0.3nH	100MHz	300mA	0.15ohm	8	100MHz	6000MHz
LQG15HN2N4S02□	2.4nH ±0.3nH	100MHz	300mA	0.16ohm	8	100MHz	6000MHz
LQG15HN2N7S02□	2.7nH ±0.3nH	100MHz	300mA	0.17ohm	8	100MHz	6000MHz
LQG15HN3N0S02□	3.0nH ±0.3nH	100MHz	300mA	0.18ohm	8	100MHz	6000MHz
LQG15HN3N3S02□	3.3nH ±0.3nH	100MHz	300mA	0.19ohm	8	100MHz	6000MHz
LQG15HN3N6S02□	3.6nH ±0.3nH	100MHz	300mA	0.19ohm	8	100MHz	6000MHz
LQG15HN3N9S02□	3.9nH ±0.3nH	100MHz	300mA	0.19ohm	8	100MHz	6000MHz
LQG15HN4N3S02□	4.3nH ±0.3nH	100MHz	300mA	0.21ohm	8	100MHz	6000MHz
LQG15HN4N7S02□	4.7nH ±0.3nH	100MHz	300mA	0.23ohm	8	100MHz	6000MHz
LQG15HN5N1S02□	5.1nH ±0.3nH	100MHz	300mA	0.24ohm	8	100MHz	6000MHz
LQG15HN5N6S02□	5.6nH ±0.3nH	100MHz	300mA	0.26ohm	8	100MHz	5300MHz
LQG15HN6N2S02□	6.2nH ±0.3nH	100MHz	300mA	0.27ohm	8	100MHz	4300MHz
LQG15HN6N8J02□	6.8nH ±5%	100MHz	300mA	0.29ohm	8	100MHz	4200MHz
LQG15HN7N5J02□	7.5nH ±5%	100MHz	300mA	0.31ohm	8	100MHz	3900MHz
LQG15HN8N2J02□	8.2nH ±5%	100MHz	300mA	0.33ohm	8	100MHz	3600MHz
LQG15HN9N1J02□	9.1nH ±5%	100MHz	300mA	0.34ohm	8	100MHz	3400MHz
LQG15HN10NJ02□	10nH ±5%	100MHz	300mA	0.35ohm	8	100MHz	3200MHz
LQG15HN12NJ02□	12nH ±5%	100MHz	300mA	0.41ohm	8	100MHz	2800MHz
LQG15HN15NJ02□	15nH ±5%	100MHz	300mA	0.46ohm	8	100MHz	2300MHz
LQG15HN18NJ02□	18nH ±5%	100MHz	300mA	0.51ohm	8	100MHz	2100MHz
LQG15HN22NJ02□	22nH ±5%	100MHz	300mA	0.58ohm	8	100MHz	1800MHz
LQG15HN27NJ02□	27nH ±5%	100MHz	300mA	0.67ohm	8	100MHz	1600MHz
LQG15HN33NJ02□	33nH ±5%	100MHz	200mA	0.67ohm	8	100MHz	1500MHz
LQG15HN39NJ02□	39nH ±5%	100MHz	200mA	1.06ohm	8	100MHz	1200MHz

Operating Temperature Range (Self-temperature rise is not included): -55°C to +125°C
Only for reflow soldering.

Continued on the following page. ↗

△Note • Please read rating and △CAUTION (for storage, operating, rating, soldering, mounting and handling) in this catalog to prevent smoking and/or burning, etc.
• This catalog has only typical specifications. Therefore, please approve our product specifications or transact the approval sheet for product specifications before ordering.

Inductor for Power Lines (Power Inductor)

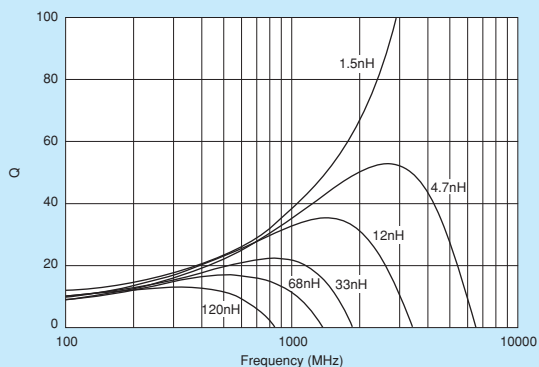
Inductor for Low Frequency Circuits

RF Inductor
Multilayer Non-Magnetic Type

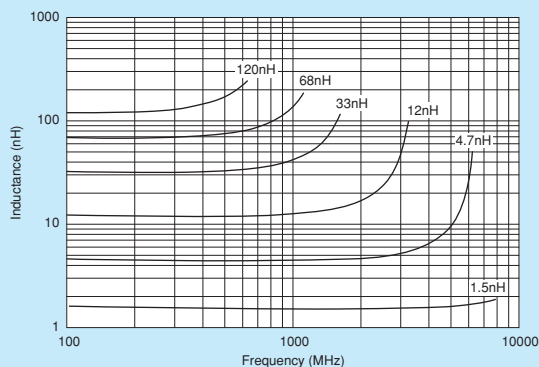
Part Number	Inductance	Test Frequency	Rated Current	Max. of DC Resistance	Q (min.)	Test Frequency	Self Resonance Frequency (min.)
LQG15HN47NJ02□	47nH ±5%	100MHz	200mA	1.15ohm	8	100MHz	1000MHz
LQG15HN56NJ02□	56nH ±5%	100MHz	200mA	1.20ohm	8	100MHz	800MHz
LQG15HN68NJ02□	68nH ±5%	100MHz	180mA	1.25ohm	8	100MHz	800MHz
LQG15HN82NJ02□	82nH ±5%	100MHz	150mA	1.60ohm	8	100MHz	600MHz
LQG15HNR10J02□	100nH ±5%	100MHz	150mA	1.60ohm	8	100MHz	600MHz
LQG15HNR12J02□	120nH ±5%	100MHz	150mA	1.60ohm	8	100MHz	600MHz

Operating Temperature Range (Self-temperature rise is not included): -55°C to +125°C
 Only for reflow soldering.

■ Q-Frequency Characteristics (Typ.)



■ Inductance-Frequency Characteristics (Typ.)



Inductor for Power Lines (Power Inductor)

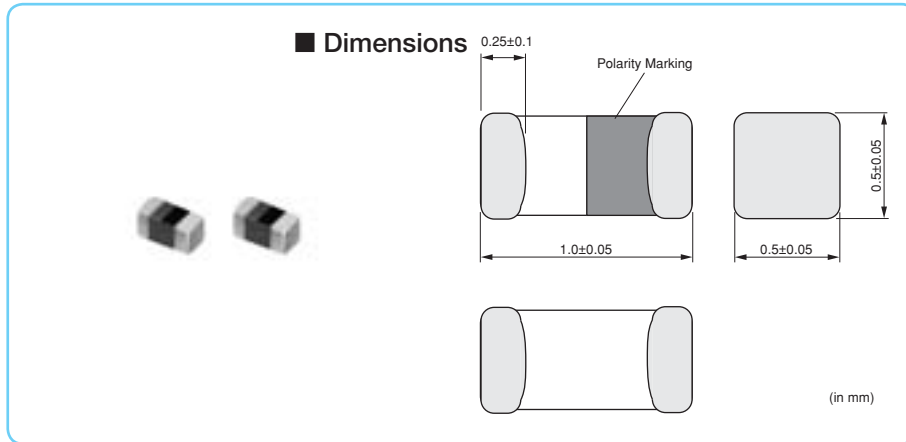
Inductor for Low Frequency Circuits

Multilayer Non-Magnetic Type
RF Inductor

△Note • Please read rating and △CAUTION (for storage, operating, rating, soldering, mounting and handling) in this catalog to prevent smoking and/or burning, etc.
 • This catalog has only typical specifications. Therefore, please approve our product specifications or transact the approval sheet for product specifications before ordering.



Designed under Industrial Global Standard



■ Packaging

Code	Packaging	Minimum Quantity
D	180mm Paper Tape	10000
J	330mm Paper Tape	50000
B	Bulk(Bag)	1000

Refer to pages from p.186 to p.189 for mounting information.

■ Rated Value (□: packaging code)

Part Number	Inductance	Test Frequency	Rated Current	Max. of DC Resistance	Q (min.)	Test Frequency	Self Resonance Frequency (min.)	
LQG15HS1N0S02□	1.0nH ±0.3nH	100MHz	300mA	0.07ohm	8	100MHz	10000MHz	Kit
LQG15HS1N1S02□	1.1nH ±0.3nH	100MHz	300mA	0.09ohm	8	100MHz	6000MHz	Kit
LQG15HS1N2S02□	1.2nH ±0.3nH	100MHz	300mA	0.09ohm	8	100MHz	6000MHz	Kit
LQG15HS1N3S02□	1.3nH ±0.3nH	100MHz	300mA	0.09ohm	8	100MHz	6000MHz	Kit
LQG15HS1N5S02□	1.5nH ±0.3nH	100MHz	300mA	0.1ohm	8	100MHz	6000MHz	Kit
LQG15HS1N6S02□	1.6nH ±0.3nH	100MHz	300mA	0.1ohm	8	100MHz	6000MHz	Kit
LQG15HS1N8S02□	1.8nH ±0.3nH	100MHz	300mA	0.1ohm	8	100MHz	6000MHz	Kit
LQG15HS2N0S02□	2.0nH ±0.3nH	100MHz	300mA	0.1ohm	8	100MHz	6000MHz	Kit
LQG15HS2N2S02□	2.2nH ±0.3nH	100MHz	300mA	0.12ohm	8	100MHz	6000MHz	Kit
LQG15HS2N4S02□	2.4nH ±0.3nH	100MHz	300mA	0.15ohm	8	100MHz	6000MHz	Kit
LQG15HS2N7S02□	2.7nH ±0.3nH	100MHz	300mA	0.15ohm	8	100MHz	6000MHz	Kit
LQG15HS3N0S02□	3.0nH ±0.3nH	100MHz	300mA	0.17ohm	8	100MHz	6000MHz	Kit
LQG15HS3N3S02□	3.3nH ±0.3nH	100MHz	300mA	0.17ohm	8	100MHz	6000MHz	Kit
LQG15HS3N6S02□	3.6nH ±0.3nH	100MHz	300mA	0.18ohm	8	100MHz	6000MHz	Kit
LQG15HS3N9S02□	3.9nH ±0.3nH	100MHz	300mA	0.18ohm	8	100MHz	6000MHz	Kit
LQG15HS4N3S02□	4.3nH ±0.3nH	100MHz	300mA	0.18ohm	8	100MHz	6000MHz	Kit
LQG15HS4N7S02□	4.7nH ±0.3nH	100MHz	300mA	0.18ohm	8	100MHz	6000MHz	Kit
LQG15HS5N1S02□	5.1nH ±0.3nH	100MHz	300mA	0.2ohm	8	100MHz	5300MHz	Kit
LQG15HS5N6S02□	5.6nH ±0.3nH	100MHz	300mA	0.2ohm	8	100MHz	4500MHz	Kit
LQG15HS6N2S02□	6.2nH ±0.3nH	100MHz	300mA	0.22ohm	8	100MHz	4500MHz	Kit
LQG15HS6N8J02□	6.8nH ±5%	100MHz	300mA	0.24ohm	8	100MHz	4500MHz	Kit
LQG15HS7N5J02□	7.5nH ±5%	100MHz	300mA	0.24ohm	8	100MHz	4200MHz	Kit
LQG15HS8N2J02□	8.2nH ±5%	100MHz	300mA	0.24ohm	8	100MHz	3700MHz	Kit
LQG15HS9N1J02□	9.1nH ±5%	100MHz	300mA	0.26ohm	8	100MHz	3400MHz	Kit
LQG15HS10NJ02□	10nH ±5%	100MHz	300mA	0.26ohm	8	100MHz	3400MHz	Kit
LQG15HS12NJ02□	12nH ±5%	100MHz	300mA	0.28ohm	8	100MHz	3000MHz	Kit
LQG15HS15NJ02□	15nH ±5%	100MHz	300mA	0.32ohm	8	100MHz	2500MHz	Kit
LQG15HS18NJ02□	18nH ±5%	100MHz	300mA	0.36ohm	8	100MHz	2200MHz	Kit
LQG15HS22NJ02□	22nH ±5%	100MHz	300mA	0.42ohm	8	100MHz	1900MHz	Kit
LQG15HS27NJ02□	27nH ±5%	100MHz	300mA	0.46ohm	8	100MHz	1700MHz	Kit
LQG15HS33NJ02□	33nH ±5%	100MHz	200mA	0.58ohm	8	100MHz	1600MHz	Kit
LQG15HS39NJ02□	39nH ±5%	100MHz	200mA	0.65ohm	8	100MHz	1200MHz	Kit

Operating Temperature Range (Self-temperature rise is not included): -55°C to +125°C
Only for reflow soldering.

Continued on the following page. ↗

△Note • Please read rating and △CAUTION (for storage, operating, rating, soldering, mounting and handling) in this catalog to prevent smoking and/or burning, etc.
• This catalog has only typical specifications. Therefore, please approve our product specifications or transact the approval sheet for product specifications before ordering.

Inductor for Power Lines (Power Inductor)

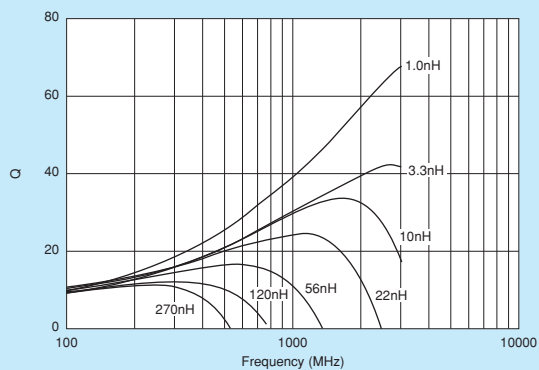
Inductor for Low Frequency Circuits

RF Inductor
Multilayer Non-Magnetic Type

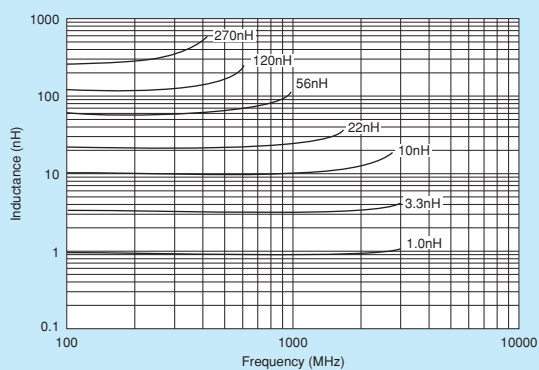
Part Number	Inductance	Test Frequency	Rated Current	Max. of DC Resistance	Q (min.)	Test Frequency	Self Resonance Frequency (min.)	
LQG15HS47NJ02□	47nH ±5%	100MHz	200mA	0.72ohm	8	100MHz	1000MHz	Kit
LQG15HS56NJ02□	56nH ±5%	100MHz	200mA	0.82ohm	8	100MHz	800MHz	Kit
LQG15HS68NJ02□	68nH ±5%	100MHz	180mA	0.92ohm	8	100MHz	800MHz	Kit
LQG15HS82NJ02□	82nH ±5%	100MHz	150mA	1.2ohm	8	100MHz	700MHz	Kit
LQG15HSR10J02□	100nH ±5%	100MHz	150mA	1.25ohm	8	100MHz	600MHz	Kit
LQG15HSR12J02□	120nH ±5%	100MHz	150mA	1.3ohm	8	100MHz	600MHz	Kit
LQG15HSR15J02□	150nH ±5%	100MHz	140mA	2.99ohm	8	100MHz	550MHz	Kit
LQG15HSR18J02□	180nH ±5%	100MHz	130mA	3.38ohm	8	100MHz	500MHz	Kit
LQG15HSR22J02□	220nH ±5%	100MHz	120mA	3.77ohm	8	100MHz	450MHz	Kit
LQG15HSR27J02□	270nH ±5%	100MHz	110mA	4.94ohm	8	100MHz	400MHz	Kit

Operating Temperature Range (Self-temperature rise is not included): -55°C to +125°C
 Only for reflow soldering.

■ Q-Frequency Characteristics (Typ.)



■ Inductance-Frequency Characteristics (Typ.)



Continued on the following page.

△Note • Please read rating and △CAUTION (for storage, operating, rating, soldering, mounting and handling) in this catalog to prevent smoking and/or burning, etc.
 • This catalog has only typical specifications. Therefore, please approve our product specifications or transact the approval sheet for product specifications before ordering.

Reference Data

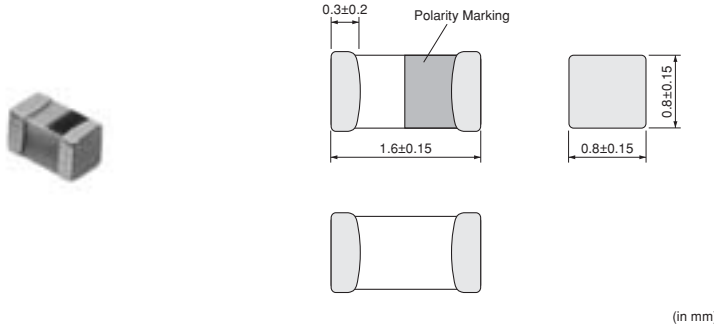
Part Number	Inductance (nH) 100MHz	Q (Typ.)				
		800MHz	900MHz	1.8GHz	2.0GHz	2.4GHz
LQG15HS1N0S02	1.0	32	34	51	54	57
LQG15HS1N1S02	1.1	35	37	59	62	64
LQG15HS1N2S02	1.2	34	36	56	58	60
LQG15HS1N3S02	1.3	34	36	56	57	58
LQG15HS1N5S02	1.5	31	34	50	53	55
LQG15HS1N6S02	1.6	31	33	50	52	54
LQG15HS1N8S02	1.8	31	33	48	49	50
LQG15HS2N0S02	2.0	31	32	47	48	49
LQG15HS2N2S02	2.2	32	34	48	49	50
LQG15HS2N4S02	2.4	32	34	51	52	52
LQG15HS2N7S02	2.7	31	33	49	50	50
LQG15HS3N0S02	3.0	32	34	49	51	50
LQG15HS3N3S02	3.3	31	33	46	47	46
LQG15HS3N6S02	3.6	31	33	45	47	46
LQG15HS3N9S02	3.9	31	33	49	47	46
LQG15HS4N3S02	4.3	31	33	44	45	44
LQG15HS4N7S02	4.7	31	33	42	43	42
LQG15HS5N1S02	5.1	31	33	44	45	42
LQG15HS5N6S02	5.6	30	32	41	40	38
LQG15HS6N2S02	6.2	29	31	41	41	38
LQG15HS6N8J02	6.8	29	30	40	40	37
LQG15HS7N5J02	7.5	28	29	38	37	34
LQG15HS8N2J02	8.2	27	29	35	34	29
LQG15HS9N1J02	9.1	27	29	36	35	31
LQG15HS10NJ02	10	27	29	35	33	28
LQG15HS12NJ02	12	26	27	28	24	18
LQG15HS15NJ02	15	26	27	25	21	13
LQG15HS18NJ02	18	25	25	22	18	-
LQG15HS22NJ02	22	23	24	16	-	-
LQG15HS27NJ02	27	21	21	-	-	-
LQG15HS33NJ02	33	20	20	-	-	-
LQG15HS39NJ02	39	19	18	-	-	-
LQG15HS47NJ02	47	17	16	-	-	-
LQG15HS56NJ02	56	15	13	-	-	-
LQG15HS68NJ02	68	12	10	-	-	-
LQG15HS82NJ02	82	9	6	-	-	-
LQG15HSR10J02	100	-	-	-	-	-
LQG15HSR12J02	120	-	-	-	-	-

△Note • Please read rating and △CAUTION (for storage, operating, rating, soldering, mounting and handling) in this catalog to prevent smoking and/or burning, etc.
 • This catalog has only typical specifications. Therefore, please approve our product specifications or transact the approval sheet for product specifications before ordering.



0603 Size, Multilayer Type

■ Dimensions



■ Packaging

Code	Packaging	Minimum Quantity
D	180mm Paper Tape	4000
J	330mm Paper Tape	10000
B	Bulk(Bag)	1000

Refer to pages from p.186 to p.189 for mounting information.

■ Rated Value (□: packaging code)

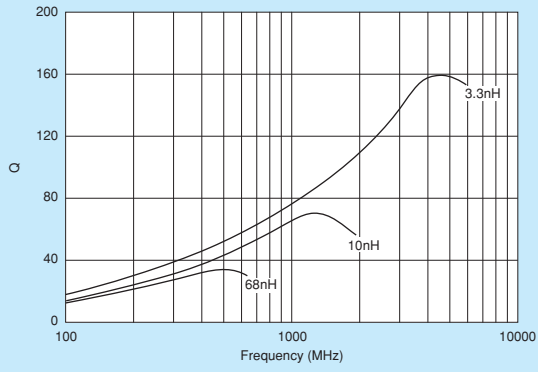
Part Number	Inductance	Test Frequency	Rated Current	Max. of DC Resistance	Q (min.)	Test Frequency	Self Resonance Frequency (min.)	
LQG18HN1N2S00□	1.2nH ±0.3nH	100MHz	500mA	0.10ohm	12	100MHz	6000MHz	Kit
LQG18HN1N5S00□	1.5nH ±0.3nH	100MHz	500mA	0.10ohm	12	100MHz	6000MHz	Kit
LQG18HN1N8S00□	1.8nH ±0.3nH	100MHz	500mA	0.10ohm	12	100MHz	6000MHz	Kit
LQG18HN2N2S00□	2.2nH ±0.3nH	100MHz	500mA	0.10ohm	12	100MHz	6000MHz	Kit
LQG18HN2N7S00□	2.7nH ±0.3nH	100MHz	500mA	0.15ohm	12	100MHz	6000MHz	Kit
LQG18HN3N3S00□	3.3nH ±0.3nH	100MHz	500mA	0.15ohm	12	100MHz	6000MHz	Kit
LQG18HN3N9S00□	3.9nH ±0.3nH	100MHz	450mA	0.15ohm	12	100MHz	6000MHz	Kit
LQG18HN4N7S00□	4.7nH ±0.3nH	100MHz	450mA	0.20ohm	12	100MHz	6000MHz	Kit
LQG18HN5N6S00□	5.6nH ±0.3nH	100MHz	430mA	0.20ohm	12	100MHz	5000MHz	Kit
LQG18HN6N8J00□	6.8nH ±5%	100MHz	430mA	0.25ohm	12	100MHz	5000MHz	Kit
LQG18HN8N2J00□	8.2nH ±5%	100MHz	400mA	0.25ohm	12	100MHz	4000MHz	Kit
LQG18HN10NJ00□	10nH ±5%	100MHz	400mA	0.30ohm	12	100MHz	3500MHz	Kit
LQG18HN12NJ00□	12nH ±5%	100MHz	400mA	0.35ohm	12	100MHz	3000MHz	Kit
LQG18HN15NJ00□	15nH ±5%	100MHz	350mA	0.40ohm	12	100MHz	2800MHz	Kit
LQG18HN18NJ00□	18nH ±5%	100MHz	350mA	0.45ohm	12	100MHz	2600MHz	Kit
LQG18HN22NJ00□	22nH ±5%	100MHz	300mA	0.50ohm	12	100MHz	2300MHz	Kit
LQG18HN27NJ00□	27nH ±5%	100MHz	300mA	0.55ohm	12	100MHz	2000MHz	Kit
LQG18HN33NJ00□	33nH ±5%	100MHz	300mA	0.60ohm	12	100MHz	1700MHz	Kit
LQG18HN39NJ00□	39nH ±5%	100MHz	300mA	0.65ohm	12	100MHz	1500MHz	Kit
LQG18HN47NJ00□	47nH ±5%	100MHz	300mA	0.70ohm	12	100MHz	1200MHz	Kit
LQG18HN56NJ00□	56nH ±5%	100MHz	300mA	0.75ohm	12	100MHz	1100MHz	Kit
LQG18HN68NJ00□	68nH ±5%	100MHz	300mA	0.80ohm	12	100MHz	1000MHz	Kit
LQG18HN82NJ00□	82nH ±5%	100MHz	300mA	0.85ohm	12	100MHz	900MHz	Kit
LQG18HNR10J00□	100nH ±5%	100MHz	300mA	0.90ohm	12	100MHz	800MHz	Kit

Operating Temperature Range (Self-temperature rise is not included): -40°C to +85°C
 Only for reflow soldering.

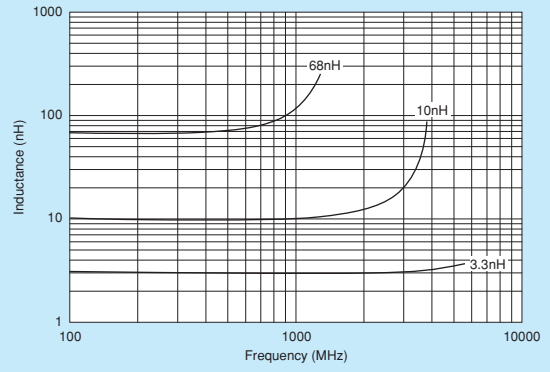
Continued on the following page.

△Note • Please read rating and △CAUTION (for storage, operating, rating, soldering, mounting and handling) in this catalog to prevent smoking and/or burning, etc.
 • This catalog has only typical specifications. Therefore, please approve our product specifications or transact the approval sheet for product specifications before ordering.

■ Q-Frequency Characteristics (Typ.)



■ Inductance-Frequency Characteristics (Typ.)

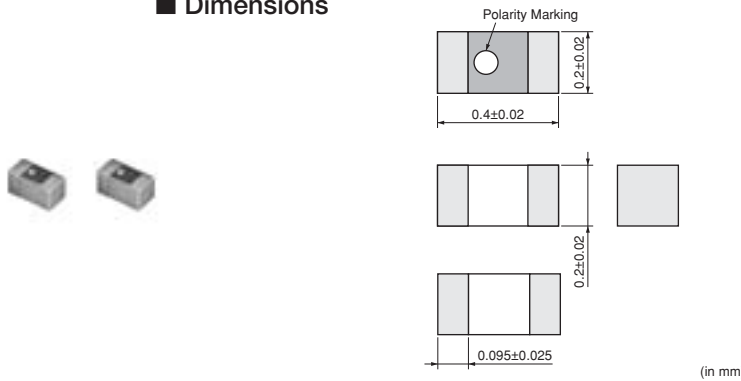


⚠Note • Please read rating and ⚠CAUTION (for storage, operating, rating, soldering, mounting and handling) in this catalog to prevent smoking and/or burning, etc.
• This catalog has only typical specifications. Therefore, please approve our product specifications or transact the approval sheet for product specifications before ordering.



01005 Size

■ Dimensions



■ Packaging

Code	Packaging	Minimum Quantity
D	180mm Paper Tape	20000
B	Bulk(Bag)	500

Refer to pages from p.186 to p.189 for mounting information.

■ Rated Value (□: packaging code)

Part Number	Inductance	Test Frequency	Rated Current	Max. of DC Resistance	Q (min.)	Test Frequency	Self Resonance Frequency (min.)	
LQP02TN0N2B02□	0.2nH ±0.1nH	500MHz	320mA	0.5ohm	-	-	6000MHz	New Kit
LQP02TN0N2C02□	0.2nH ±0.2nH	500MHz	320mA	0.5ohm	-	-	6000MHz	New
LQP02TN0N3B02□	0.3nH ±0.1nH	500MHz	320mA	0.5ohm	-	-	6000MHz	New Kit
LQP02TN0N3C02□	0.3nH ±0.2nH	500MHz	320mA	0.5ohm	-	-	6000MHz	New
LQP02TN0N4B02□	0.4nH ±0.1nH	500MHz	320mA	0.5ohm	8	500MHz	6000MHz	New Kit
LQP02TN0N4C02□	0.4nH ±0.2nH	500MHz	320mA	0.5ohm	8	500MHz	6000MHz	New
LQP02TN0N4S02□	0.4nH ±0.3nH	500MHz	320mA	0.5ohm	8	500MHz	6000MHz	
LQP02TN0N5B02□	0.5nH ±0.1nH	500MHz	320mA	0.5ohm	8	500MHz	6000MHz	New Kit
LQP02TN0N5C02□	0.5nH ±0.2nH	500MHz	320mA	0.5ohm	8	500MHz	6000MHz	New
LQP02TN0N5S02□	0.5nH ±0.3nH	500MHz	320mA	0.5ohm	8	500MHz	6000MHz	
LQP02TN0N6B02□	0.6nH ±0.1nH	500MHz	320mA	0.5ohm	8	500MHz	6000MHz	New Kit
LQP02TN0N6C02□	0.6nH ±0.2nH	500MHz	320mA	0.5ohm	8	500MHz	6000MHz	New
LQP02TN0N6S02□	0.6nH ±0.3nH	500MHz	320mA	0.5ohm	8	500MHz	6000MHz	
LQP02TN0N7B02□	0.7nH ±0.1nH	500MHz	320mA	0.5ohm	8	500MHz	6000MHz	New Kit
LQP02TN0N7C02□	0.7nH ±0.2nH	500MHz	320mA	0.5ohm	8	500MHz	6000MHz	New
LQP02TN0N7S02□	0.7nH ±0.3nH	500MHz	320mA	0.5ohm	8	500MHz	6000MHz	
LQP02TN0N8B02□	0.8nH ±0.1nH	500MHz	320mA	0.5ohm	8	500MHz	6000MHz	New Kit
LQP02TN0N8C02□	0.8nH ±0.2nH	500MHz	320mA	0.5ohm	8	500MHz	6000MHz	New
LQP02TN0N8S02□	0.8nH ±0.3nH	500MHz	320mA	0.5ohm	8	500MHz	6000MHz	
LQP02TN0N9B02□	0.9nH ±0.1nH	500MHz	320mA	0.5ohm	8	500MHz	6000MHz	New Kit
LQP02TN0N9C02□	0.9nH ±0.2nH	500MHz	320mA	0.5ohm	8	500MHz	6000MHz	New
LQP02TN0N9S02□	0.9nH ±0.3nH	500MHz	320mA	0.5ohm	8	500MHz	6000MHz	
LQP02TN1N0B02□	1.0nH ±0.1nH	500MHz	220mA	0.6ohm	8	500MHz	6000MHz	New Kit
LQP02TN1N0C02□	1.0nH ±0.2nH	500MHz	220mA	0.6ohm	8	500MHz	6000MHz	New
LQP02TN1N0S02□	1.0nH ±0.3nH	500MHz	220mA	0.6ohm	8	500MHz	6000MHz	
LQP02TN1N1B02□	1.1nH ±0.1nH	500MHz	220mA	0.6ohm	8	500MHz	6000MHz	New Kit
LQP02TN1N1C02□	1.1nH ±0.2nH	500MHz	220mA	0.6ohm	8	500MHz	6000MHz	New
LQP02TN1N1S02□	1.1nH ±0.3nH	500MHz	220mA	0.6ohm	8	500MHz	6000MHz	
LQP02TN1N2B02□	1.2nH ±0.1nH	500MHz	220mA	0.6ohm	8	500MHz	6000MHz	New Kit
LQP02TN1N2C02□	1.2nH ±0.2nH	500MHz	220mA	0.6ohm	8	500MHz	6000MHz	New
LQP02TN1N2S02□	1.2nH ±0.3nH	500MHz	220mA	0.6ohm	8	500MHz	6000MHz	
LQP02TN1N3B02□	1.3nH ±0.1nH	500MHz	220mA	0.6ohm	8	500MHz	6000MHz	New Kit

Operating Temperature Range (Self-temperature rise is not included): -55°C to +125°C
Only for reflow soldering.

Continued on the following page.

△Note • Please read rating and △CAUTION (for storage, operating, rating, soldering, mounting and handling) in this catalog to prevent smoking and/or burning, etc.
• This catalog has only typical specifications. Therefore, please approve our product specifications or transact the approval sheet for product specifications before ordering.

Inductor for Power Lines (Power Inductor)

Inductor for Low Frequency Circuits

RF Inductor
Film Non-Magnetic Type

Part Number	Inductance	Test Frequency	Rated Current	Max. of DC Resistance	Q (min.)	Test Frequency	Self Resonance Frequency (min.)	
LQP02TN1N3C02□	1.3nH ±0.2nH	500MHz	220mA	0.60ohm	8	500MHz	6000MHz	New
LQP02TN1N3S02□	1.3nH ±0.3nH	500MHz	220mA	0.60ohm	8	500MHz	6000MHz	
LQP02TN1N4B02□	1.4nH ±0.1nH	500MHz	220mA	0.60ohm	8	500MHz	6000MHz	New Kit
LQP02TN1N4C02□	1.4nH ±0.2nH	500MHz	220mA	0.60ohm	8	500MHz	6000MHz	New
LQP02TN1N4S02□	1.4nH ±0.3nH	500MHz	220mA	0.60ohm	8	500MHz	6000MHz	New
LQP02TN1N5B02□	1.5nH ±0.1nH	500MHz	220mA	0.60ohm	8	500MHz	6000MHz	New Kit
LQP02TN1N5C02□	1.5nH ±0.2nH	500MHz	220mA	0.60ohm	8	500MHz	6000MHz	New
LQP02TN1N5S02□	1.5nH ±0.3nH	500MHz	220mA	0.60ohm	8	500MHz	6000MHz	
LQP02TN1N6B02□	1.6nH ±0.1nH	500MHz	220mA	0.60ohm	8	500MHz	6000MHz	New Kit
LQP02TN1N6C02□	1.6nH ±0.2nH	500MHz	220mA	0.60ohm	8	500MHz	6000MHz	New
LQP02TN1N6S02□	1.6nH ±0.3nH	500MHz	220mA	0.60ohm	8	500MHz	6000MHz	
LQP02TN1N7B02□	1.7nH ±0.1nH	500MHz	200mA	0.70ohm	8	500MHz	6000MHz	New Kit
LQP02TN1N7C02□	1.7nH ±0.2nH	500MHz	200mA	0.70ohm	8	500MHz	6000MHz	New
LQP02TN1N7S02□	1.7nH ±0.3nH	500MHz	200mA	0.70ohm	8	500MHz	6000MHz	New
LQP02TN1N8B02□	1.8nH ±0.1nH	500MHz	200mA	0.70ohm	8	500MHz	6000MHz	New Kit
LQP02TN1N8C02□	1.8nH ±0.2nH	500MHz	200mA	0.70ohm	8	500MHz	6000MHz	New
LQP02TN1N8S02□	1.8nH ±0.3nH	500MHz	200mA	0.70ohm	8	500MHz	6000MHz	
LQP02TN1N9B02□	1.9nH ±0.1nH	500MHz	200mA	0.75ohm	8	500MHz	6000MHz	New Kit
LQP02TN1N9C02□	1.9nH ±0.2nH	500MHz	200mA	0.75ohm	8	500MHz	6000MHz	New
LQP02TN1N9S02□	1.9nH ±0.3nH	500MHz	200mA	0.75ohm	8	500MHz	6000MHz	New
LQP02TN2N0B02□	2.0nH ±0.1nH	500MHz	200mA	0.75ohm	8	500MHz	6000MHz	New Kit
LQP02TN2N0C02□	2.0nH ±0.2nH	500MHz	200mA	0.75ohm	8	500MHz	6000MHz	New
LQP02TN2N0S02□	2.0nH ±0.3nH	500MHz	200mA	0.75ohm	8	500MHz	6000MHz	
LQP02TN2N1B02□	2.1nH ±0.1nH	500MHz	200mA	0.75ohm	8	500MHz	6000MHz	New Kit
LQP02TN2N1C02□	2.1nH ±0.2nH	500MHz	200mA	0.75ohm	8	500MHz	6000MHz	New
LQP02TN2N1S02□	2.1nH ±0.3nH	500MHz	200mA	0.75ohm	8	500MHz	6000MHz	New
LQP02TN2N2B02□	2.2nH ±0.1nH	500MHz	200mA	0.75ohm	8	500MHz	6000MHz	New Kit
LQP02TN2N2C02□	2.2nH ±0.2nH	500MHz	200mA	0.75ohm	8	500MHz	6000MHz	New
LQP02TN2N2S02□	2.2nH ±0.3nH	500MHz	200mA	0.75ohm	8	500MHz	6000MHz	
LQP02TN2N3B02□	2.3nH ±0.1nH	500MHz	200mA	0.75ohm	8	500MHz	6000MHz	New Kit
LQP02TN2N3C02□	2.3nH ±0.2nH	500MHz	200mA	0.75ohm	8	500MHz	6000MHz	New
LQP02TN2N3S02□	2.3nH ±0.3nH	500MHz	200mA	0.75ohm	8	500MHz	6000MHz	New
LQP02TN2N4B02□	2.4nH ±0.1nH	500MHz	200mA	0.75ohm	8	500MHz	6000MHz	New Kit
LQP02TN2N4C02□	2.4nH ±0.2nH	500MHz	200mA	0.75ohm	8	500MHz	6000MHz	New
LQP02TN2N4S02□	2.4nH ±0.3nH	500MHz	200mA	0.75ohm	8	500MHz	6000MHz	
LQP02TN2N5B02□	2.5nH ±0.1nH	500MHz	200mA	0.80ohm	8	500MHz	6000MHz	New Kit
LQP02TN2N5C02□	2.5nH ±0.2nH	500MHz	200mA	0.80ohm	8	500MHz	6000MHz	New
LQP02TN2N5S02□	2.5nH ±0.3nH	500MHz	200mA	0.80ohm	8	500MHz	6000MHz	New
LQP02TN2N6B02□	2.6nH ±0.1nH	500MHz	200mA	0.80ohm	8	500MHz	6000MHz	New Kit
LQP02TN2N6C02□	2.6nH ±0.2nH	500MHz	200mA	0.80ohm	8	500MHz	6000MHz	New
LQP02TN2N6S02□	2.6nH ±0.3nH	500MHz	200mA	0.80ohm	8	500MHz	6000MHz	New
LQP02TN2N7B02□	2.7nH ±0.1nH	500MHz	200mA	0.80ohm	8	500MHz	6000MHz	New Kit
LQP02TN2N7C02□	2.7nH ±0.2nH	500MHz	200mA	0.80ohm	8	500MHz	6000MHz	New
LQP02TN2N7S02□	2.7nH ±0.3nH	500MHz	200mA	0.80ohm	8	500MHz	6000MHz	
LQP02TN2N8B02□	2.8nH ±0.1nH	500MHz	200mA	1.10ohm	8	500MHz	6000MHz	New Kit
LQP02TN2N8C02□	2.8nH ±0.2nH	500MHz	200mA	1.10ohm	8	500MHz	6000MHz	New
LQP02TN2N8S02□	2.8nH ±0.3nH	500MHz	200mA	1.10ohm	8	500MHz	6000MHz	New

Operating Temperature Range (Self-temperature rise is not included): -55°C to +125°C
Only for reflow soldering.



Continued on the following page. ↗

△Note • Please read rating and △CAUTION (for storage, operating, rating, soldering, mounting and handling) in this catalog to prevent smoking and/or burning, etc.
• This catalog has only typical specifications. Therefore, please approve our product specifications or transact the approval sheet for product specifications before ordering.

Part Number	Inductance	Test Frequency	Rated Current	Max. of DC Resistance	Q (min.)	Test Frequency	Self Resonance Frequency (min.)	
LQP02TN2N9B02□	2.9nH ±0.1nH	500MHz	200mA	1.10ohm	8	500MHz	6000MHz	New Kit
LQP02TN2N9C02□	2.9nH ±0.2nH	500MHz	200mA	1.10ohm	8	500MHz	6000MHz	New
LQP02TN2N9S02□	2.9nH ±0.3nH	500MHz	200mA	1.10ohm	8	500MHz	6000MHz	New
LQP02TN3N0B02□	3.0nH ±0.1nH	500MHz	200mA	1.10ohm	8	500MHz	6000MHz	New Kit
LQP02TN3N0C02□	3.0nH ±0.2nH	500MHz	200mA	1.10ohm	8	500MHz	6000MHz	New
LQP02TN3N0S02□	3.0nH ±0.3nH	500MHz	200mA	1.10ohm	8	500MHz	6000MHz	
LQP02TN3N1B02□	3.1nH ±0.1nH	500MHz	180mA	1.30ohm	8	500MHz	6000MHz	New Kit
LQP02TN3N1C02□	3.1nH ±0.2nH	500MHz	180mA	1.30ohm	8	500MHz	6000MHz	New
LQP02TN3N1S02□	3.1nH ±0.3nH	500MHz	180mA	1.30ohm	8	500MHz	6000MHz	New
LQP02TN3N2B02□	3.2nH ±0.1nH	500MHz	180mA	1.30ohm	8	500MHz	6000MHz	New Kit
LQP02TN3N2C02□	3.2nH ±0.2nH	500MHz	180mA	1.30ohm	8	500MHz	6000MHz	New
LQP02TN3N2S02□	3.2nH ±0.3nH	500MHz	180mA	1.30ohm	8	500MHz	6000MHz	New
LQP02TN3N3B02□	3.3nH ±0.1nH	500MHz	180mA	1.30ohm	8	500MHz	6000MHz	New Kit
LQP02TN3N3C02□	3.3nH ±0.2nH	500MHz	180mA	1.30ohm	8	500MHz	6000MHz	New
LQP02TN3N3S02□	3.3nH ±0.3nH	500MHz	180mA	1.30ohm	8	500MHz	6000MHz	
LQP02TN3N4B02□	3.4nH ±0.1nH	500MHz	180mA	1.30ohm	8	500MHz	6000MHz	New Kit
LQP02TN3N4C02□	3.4nH ±0.2nH	500MHz	180mA	1.30ohm	8	500MHz	6000MHz	New
LQP02TN3N4S02□	3.4nH ±0.3nH	500MHz	180mA	1.30ohm	8	500MHz	6000MHz	New
LQP02TN3N5B02□	3.5nH ±0.1nH	500MHz	180mA	1.30ohm	8	500MHz	6000MHz	New Kit
LQP02TN3N5C02□	3.5nH ±0.2nH	500MHz	180mA	1.30ohm	8	500MHz	6000MHz	New
LQP02TN3N5S02□	3.5nH ±0.3nH	500MHz	180mA	1.30ohm	8	500MHz	6000MHz	New
LQP02TN3N6B02□	3.6nH ±0.1nH	500MHz	180mA	1.30ohm	8	500MHz	6000MHz	New Kit
LQP02TN3N6C02□	3.6nH ±0.2nH	500MHz	180mA	1.30ohm	8	500MHz	6000MHz	New
LQP02TN3N6S02□	3.6nH ±0.3nH	500MHz	180mA	1.30ohm	8	500MHz	6000MHz	
LQP02TN3N7B02□	3.7nH ±0.1nH	500MHz	180mA	1.30ohm	8	500MHz	6000MHz	New Kit
LQP02TN3N7C02□	3.7nH ±0.2nH	500MHz	180mA	1.30ohm	8	500MHz	6000MHz	New
LQP02TN3N7S02□	3.7nH ±0.3nH	500MHz	180mA	1.30ohm	8	500MHz	6000MHz	New
LQP02TN3N8B02□	3.8nH ±0.1nH	500MHz	180mA	1.30ohm	8	500MHz	6000MHz	New Kit
LQP02TN3N8C02□	3.8nH ±0.2nH	500MHz	180mA	1.30ohm	8	500MHz	6000MHz	New
LQP02TN3N8S02□	3.8nH ±0.3nH	500MHz	180mA	1.30ohm	8	500MHz	6000MHz	New
LQP02TN3N9B02□	3.9nH ±0.1nH	500MHz	180mA	1.30ohm	8	500MHz	6000MHz	New Kit
LQP02TN3N9C02□	3.9nH ±0.2nH	500MHz	180mA	1.30ohm	8	500MHz	6000MHz	New
LQP02TN3N9S02□	3.9nH ±0.3nH	500MHz	180mA	1.30ohm	8	500MHz	6000MHz	
LQP02TN4N0B02□	4.0nH ±0.1nH	500MHz	180mA	1.30ohm	8	500MHz	6000MHz	New Kit
LQP02TN4N0C02□	4.0nH ±0.2nH	500MHz	180mA	1.30ohm	8	500MHz	6000MHz	New
LQP02TN4N0S02□	4.0nH ±0.3nH	500MHz	180mA	1.30ohm	8	500MHz	6000MHz	New
LQP02TN4N1B02□	4.1nH ±0.1nH	500MHz	180mA	1.30ohm	8	500MHz	6000MHz	New Kit
LQP02TN4N1C02□	4.1nH ±0.2nH	500MHz	180mA	1.30ohm	8	500MHz	6000MHz	New
LQP02TN4N1S02□	4.1nH ±0.3nH	500MHz	180mA	1.30ohm	8	500MHz	6000MHz	New
LQP02TN4N2B02□	4.2nH ±0.1nH	500MHz	180mA	1.30ohm	8	500MHz	6000MHz	New Kit
LQP02TN4N2C02□	4.2nH ±0.2nH	500MHz	180mA	1.30ohm	8	500MHz	6000MHz	New
LQP02TN4N2S02□	4.2nH ±0.3nH	500MHz	180mA	1.30ohm	8	500MHz	6000MHz	New
LQP02TN4N3H02□	4.3nH ±3%	500MHz	180mA	1.30ohm	8	500MHz	6000MHz	New Kit
LQP02TN4N3J02□	4.3nH ±5%	500MHz	180mA	1.30ohm	8	500MHz	6000MHz	New
LQP02TN4N3S02□	4.3nH ±0.3nH	500MHz	180mA	1.30ohm	8	500MHz	6000MHz	
LQP02TN4N7H02□	4.7nH ±3%	500MHz	160mA	1.50ohm	8	500MHz	6000MHz	New Kit
LQP02TN4N7J02□	4.7nH ±5%	500MHz	160mA	1.50ohm	8	500MHz	6000MHz	New

Operating Temperature Range (Self-temperature rise is not included): -55°C to +125°C
Only for reflow soldering.

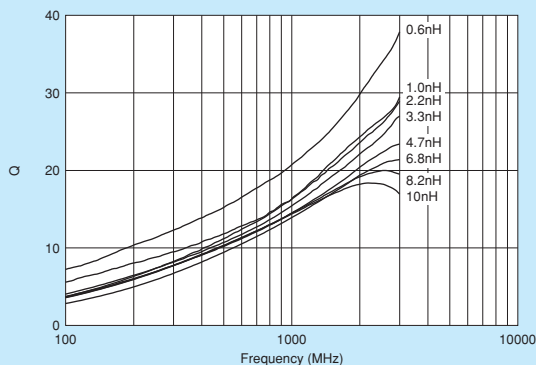
Continued on the following page. 

 Note • Please read rating and  CAUTION (for storage, operating, rating, soldering, mounting and handling) in this catalog to prevent smoking and/or burning, etc.
• This catalog has only typical specifications. Therefore, please approve our product specifications or transact the approval sheet for product specifications before ordering.

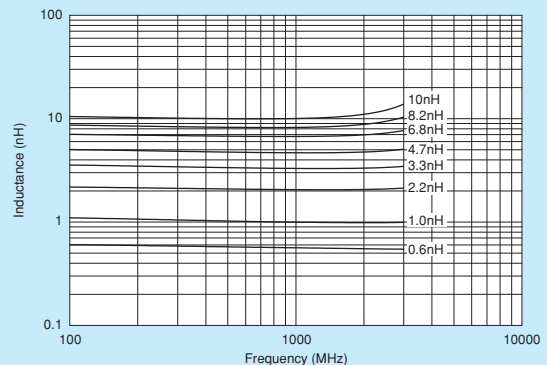
Part Number	Inductance	Test Frequency	Rated Current	Max. of DC Resistance	Q (min.)	Test Frequency	Self Resonance Frequency (min.)	
LQP02TN4N7S02□	4.7nH ±0.3nH	500MHz	160mA	1.50ohm	8	500MHz	6000MHz	
LQP02TN5N1H02□	5.1nH ±3%	500MHz	160mA	1.50ohm	8	500MHz	6000MHz	New Kit
LQP02TN5N1J02□	5.1nH ±5%	500MHz	160mA	1.50ohm	8	500MHz	6000MHz	New
LQP02TN5N1S02□	5.1nH ±0.3nH	500MHz	160mA	1.50ohm	8	500MHz	6000MHz	
LQP02TN5N6H02□	5.6nH ±3%	500MHz	140mA	1.80ohm	8	500MHz	6000MHz	New Kit
LQP02TN5N6J02□	5.6nH ±5%	500MHz	140mA	1.80ohm	8	500MHz	6000MHz	New
LQP02TN5N6S02□	5.6nH ±0.3nH	500MHz	140mA	1.80ohm	8	500MHz	6000MHz	
LQP02TN6N2H02□	6.2nH ±3%	500MHz	140mA	1.80ohm	8	500MHz	5500MHz	New Kit
LQP02TN6N2J02□	6.2nH ±5%	500MHz	140mA	1.80ohm	8	500MHz	5500MHz	
LQP02TN6N8H02□	6.8nH ±3%	500MHz	140mA	2.00ohm	8	500MHz	5500MHz	New Kit
LQP02TN6N8J02□	6.8nH ±5%	500MHz	140mA	2.00ohm	8	500MHz	5500MHz	
LQP02TN7N5H02□	7.5nH ±3%	500MHz	140mA	2.00ohm	8	500MHz	4500MHz	New Kit
LQP02TN7N5J02□	7.5nH ±5%	500MHz	140mA	2.00ohm	8	500MHz	4500MHz	
LQP02TN8N2H02□	8.2nH ±3%	500MHz	140mA	2.10ohm	8	500MHz	4500MHz	New Kit
LQP02TN8N2J02□	8.2nH ±5%	500MHz	140mA	2.10ohm	8	500MHz	4500MHz	
LQP02TN9N1H02□	9.1nH ±3%	500MHz	140mA	2.10ohm	8	500MHz	4000MHz	New Kit
LQP02TN9N1J02□	9.1nH ±5%	500MHz	140mA	2.10ohm	8	500MHz	4000MHz	
LQP02TN10NH02□	10nH ±3%	500MHz	140mA	2.50ohm	8	500MHz	4000MHz	New Kit
LQP02TN10NJ02□	10nH ±5%	500MHz	140mA	2.50ohm	8	500MHz	4000MHz	
LQP02TN11NH02□	11nH ±3%	500MHz	140mA	2.80ohm	7	500MHz	3500MHz	New Kit
LQP02TN11NJ02□	11nH ±5%	500MHz	140mA	2.80ohm	7	500MHz	3500MHz	New
LQP02TN12NH02□	12nH ±3%	500MHz	140mA	2.80ohm	7	500MHz	3500MHz	New Kit
LQP02TN12NJ02□	12nH ±5%	500MHz	140mA	2.80ohm	7	500MHz	3500MHz	
LQP02TN13NH02□	13nH ±3%	500MHz	140mA	3.20ohm	7	500MHz	3000MHz	New Kit
LQP02TN13NJ02□	13nH ±5%	500MHz	140mA	3.20ohm	7	500MHz	3000MHz	New
LQP02TN15NH02□	15nH ±3%	500MHz	140mA	3.20ohm	7	500MHz	3000MHz	New Kit
LQP02TN15NJ02□	15nH ±5%	500MHz	140mA	3.20ohm	7	500MHz	3000MHz	
LQP02TN16NH02□	16nH ±3%	500MHz	140mA	3.50ohm	7	500MHz	2500MHz	New Kit
LQP02TN16NJ02□	16nH ±5%	500MHz	140mA	3.50ohm	7	500MHz	2500MHz	New
LQP02TN18NH02□	18nH ±3%	500MHz	140mA	3.50ohm	7	500MHz	2500MHz	New Kit
LQP02TN18NJ02□	18nH ±5%	500MHz	140mA	3.50ohm	7	500MHz	2500MHz	
LQP02TN20NH02□	20nH ±3%	500MHz	100mA	5.00ohm	6	500MHz	2250MHz	New Kit
LQP02TN20NJ02□	20nH ±5%	500MHz	100mA	5.00ohm	6	500MHz	2250MHz	New

Operating Temperature Range (Self-temperature rise is not included): -55°C to +125°C
Only for reflow soldering.

■ Q-Frequency Characteristics (Typ.)



■ Inductance-Frequency Characteristics (Typ.)



Continued on the following page.

△Note • Please read rating and △CAUTION (for storage, operating, rating, soldering, mounting and handling) in this catalog to prevent smoking and/or burning, etc.
• This catalog has only typical specifications. Therefore, please approve our product specifications or transact the approval sheet for product specifications before ordering.

Reference Data

4991A&16196D

Part Number	Q (Typ.)				
	800MHz	900MHz	1.8GHz	2.0GHz	2.4GHz
LQP02TN0N4	15	16	26	28	30
LQP02TN0N5	15	16	24	26	28
LQP02TN0N6	15	16	24	26	28
LQP02TN0N7	15	15	23	24	26
LQP02TN0N8	14	15	23	24	26
LQP02TN0N9	14	15	23	24	26
LQP02TN1N0	14	15	23	24	26
LQP02TN1N1	14	15	23	24	26
LQP02TN1N2	14	15	23	24	26
LQP02TN1N3	14	15	23	24	26
LQP02TN1N4	14	15	23	24	26
LQP02TN1N5	14	15	23	24	26
LQP02TN1N6	14	15	23	24	26
LQP02TN1N7	14	15	23	24	26
LQP02TN1N8	14	15	23	24	26
LQP02TN1N9	14	15	22	24	26
LQP02TN2N0	14	15	22	23	25
LQP02TN2N1	14	15	22	23	25
LQP02TN2N2	14	15	22	23	25
LQP02TN2N3	14	15	22	23	25
LQP02TN2N4	14	15	22	23	25
LQP02TN2N5	14	15	22	23	25
LQP02TN2N6	14	15	22	23	25
LQP02TN2N7	14	15	22	23	25
LQP02TN2N8	13	14	20	21	22
LQP02TN2N9	13	14	21	22	24
LQP02TN3N0	13	14	21	22	23
LQP02TN3N1	13	14	20	21	23
LQP02TN3N2	13	14	20	21	23
LQP02TN3N3	13	14	21	22	24
LQP02TN3N4	13	14	21	22	23
LQP02TN3N5	13	14	20	21	22
LQP02TN3N6	13	14	20	21	23
LQP02TN3N7	13	14	20	22	23
LQP02TN3N8	13	14	20	21	23
LQP02TN3N9	13	14	20	21	23
LQP02TN4N3	13	14	19	20	22
LQP02TN4N7	13	14	19	20	22
LQP02TN5N1	13	14	18	19	21
LQP02TN5N6	13	14	18	19	21
LQP02TN6N2	13	14	18	19	21
LQP02TN6N8	13	14	18	19	21
LQP02TN7N5	13	14	18	19	20
LQP02TN8N2	13	14	18	19	20
LQP02TN9N1	13	14	18	19	20
LQP02TN10N	13	14	17	18	18
LQP02TN12N	13	14	17	18	18
LQP02TN15N	12	13	18	18	17
LQP02TN18N	12	12	14	12	11

△Note • Please read rating and △CAUTION (for storage, operating, rating, soldering, mounting and handling) in this catalog to prevent smoking and/or burning, etc.
 • This catalog has only typical specifications. Therefore, please approve our product specifications or transact the approval sheet for product specifications before ordering.

Inductor for Power Lines (Power Inductor)

Inductor for Low Frequency Circuits

Film Non-Magnetic Type
RF Inductor



0201 Size, Standard Type

■ Dimensions



(in mm)

■ Packaging

Code	Packaging	Minimum Quantity
D	180mm Paper Tape	15000
J	330mm Paper Tape	50000
B	Bulk(Bag)	500

Refer to pages from p.186 to p.189 for mounting information.

■ Rated Value (□: packaging code)

Part Number	Inductance	Test Frequency	Rated Current	Max. of DC Resistance	Q (min.)	Test Frequency	Self Resonance Frequency (min.)	
LQP03TG0N6B02□	0.6nH ±0.1nH	500MHz	850mA	0.08ohm	11	500MHz	6000MHz	New Kit
LQP03TG0N6C02□	0.6nH ±0.2nH	500MHz	850mA	0.08ohm	11	500MHz	6000MHz	New
LQP03TG0N7B02□	0.7nH ±0.1nH	500MHz	750mA	0.10ohm	12	500MHz	6000MHz	New Kit
LQP03TG0N7C02□	0.7nH ±0.2nH	500MHz	750mA	0.10ohm	12	500MHz	6000MHz	New
LQP03TG0N8B02□	0.8nH ±0.1nH	500MHz	750mA	0.10ohm	12	500MHz	6000MHz	New Kit
LQP03TG0N8C02□	0.8nH ±0.2nH	500MHz	750mA	0.10ohm	12	500MHz	6000MHz	New
LQP03TG0N9B02□	0.9nH ±0.1nH	500MHz	700mA	0.12ohm	12	500MHz	6000MHz	New Kit
LQP03TG0N9C02□	0.9nH ±0.2nH	500MHz	700mA	0.12ohm	12	500MHz	6000MHz	New
LQP03TG1N0B02□	1.0nH ±0.1nH	500MHz	600mA	0.15ohm	12	500MHz	6000MHz	New Kit
LQP03TG1N0C02□	1.0nH ±0.2nH	500MHz	600mA	0.15ohm	12	500MHz	6000MHz	New
LQP03TG1N1B02□	1.1nH ±0.1nH	500MHz	600mA	0.15ohm	12	500MHz	6000MHz	New Kit
LQP03TG1N1C02□	1.1nH ±0.2nH	500MHz	600mA	0.15ohm	12	500MHz	6000MHz	New
LQP03TG1N2B02□	1.2nH ±0.1nH	500MHz	600mA	0.15ohm	13	500MHz	6000MHz	New Kit
LQP03TG1N2C02□	1.2nH ±0.2nH	500MHz	600mA	0.15ohm	13	500MHz	6000MHz	New
LQP03TG1N3B02□	1.3nH ±0.1nH	500MHz	600mA	0.15ohm	13	500MHz	6000MHz	New Kit
LQP03TG1N3C02□	1.3nH ±0.2nH	500MHz	600mA	0.15ohm	13	500MHz	6000MHz	New
LQP03TG1N4B02□	1.4nH ±0.1nH	500MHz	600mA	0.15ohm	13	500MHz	6000MHz	New Kit
LQP03TG1N4C02□	1.4nH ±0.2nH	500MHz	600mA	0.15ohm	13	500MHz	6000MHz	New
LQP03TG1N5B02□	1.5nH ±0.1nH	500MHz	600mA	0.15ohm	13	500MHz	6000MHz	New Kit
LQP03TG1N5C02□	1.5nH ±0.2nH	500MHz	600mA	0.15ohm	13	500MHz	6000MHz	New
LQP03TG1N6B02□	1.6nH ±0.1nH	500MHz	600mA	0.15ohm	13	500MHz	6000MHz	New Kit
LQP03TG1N6C02□	1.6nH ±0.2nH	500MHz	600mA	0.15ohm	13	500MHz	6000MHz	New
LQP03TG1N7B02□	1.7nH ±0.1nH	500MHz	500mA	0.20ohm	13	500MHz	6000MHz	New Kit
LQP03TG1N7C02□	1.7nH ±0.2nH	500MHz	500mA	0.20ohm	13	500MHz	6000MHz	New
LQP03TG1N8B02□	1.8nH ±0.1nH	500MHz	500mA	0.20ohm	13	500MHz	6000MHz	New Kit
LQP03TG1N8C02□	1.8nH ±0.2nH	500MHz	500mA	0.20ohm	13	500MHz	6000MHz	New
LQP03TG1N9B02□	1.9nH ±0.1nH	500MHz	450mA	0.25ohm	13	500MHz	6000MHz	New Kit
LQP03TG1N9C02□	1.9nH ±0.2nH	500MHz	450mA	0.25ohm	13	500MHz	6000MHz	New
LQP03TG2N0B02□	2.0nH ±0.1nH	500MHz	450mA	0.25ohm	13	500MHz	6000MHz	New Kit
LQP03TG2N0C02□	2.0nH ±0.2nH	500MHz	450mA	0.25ohm	13	500MHz	6000MHz	New
LQP03TG2N1B02□	2.1nH ±0.1nH	500MHz	450mA	0.25ohm	13	500MHz	6000MHz	New Kit
LQP03TG2N1C02□	2.1nH ±0.2nH	500MHz	450mA	0.25ohm	13	500MHz	6000MHz	New


Operating Temperature Range (Self-temperature rise is not included): -55°C to +125°C
Only for reflow soldering.

Continued on the following page. ↗

△Note • Please read rating and △CAUTION (for storage, operating, rating, soldering, mounting and handling) in this catalog to prevent smoking and/or burning, etc.
• This catalog has only typical specifications. Therefore, please approve our product specifications or transact the approval sheet for product specifications before ordering.

Part Number	Inductance	Test Frequency	Rated Current	Max. of DC Resistance	Q (min.)	Test Frequency	Self Resonance Frequency (min.)	
LQP03TG2N2B02□	2.2nH ±0.1nH	500MHz	450mA	0.25ohm	13	500MHz	6000MHz	New Kit
LQP03TG2N2C02□	2.2nH ±0.2nH	500MHz	450mA	0.25ohm	13	500MHz	6000MHz	New
LQP03TG2N3B02□	2.3nH ±0.1nH	500MHz	450mA	0.25ohm	13	500MHz	6000MHz	New Kit
LQP03TG2N3C02□	2.3nH ±0.2nH	500MHz	450mA	0.25ohm	13	500MHz	6000MHz	New
LQP03TG2N4B02□	2.4nH ±0.1nH	500MHz	450mA	0.25ohm	13	500MHz	6000MHz	New Kit
LQP03TG2N4C02□	2.4nH ±0.2nH	500MHz	450mA	0.25ohm	13	500MHz	6000MHz	New
LQP03TG2N5B02□	2.5nH ±0.1nH	500MHz	450mA	0.25ohm	13	500MHz	6000MHz	New Kit
LQP03TG2N5C02□	2.5nH ±0.2nH	500MHz	450mA	0.25ohm	13	500MHz	6000MHz	New
LQP03TG2N6B02□	2.6nH ±0.1nH	500MHz	450mA	0.25ohm	13	500MHz	6000MHz	New Kit
LQP03TG2N6C02□	2.6nH ±0.2nH	500MHz	450mA	0.25ohm	13	500MHz	6000MHz	New
LQP03TG2N7B02□	2.7nH ±0.1nH	500MHz	450mA	0.25ohm	13	500MHz	6000MHz	New Kit
LQP03TG2N7C02□	2.7nH ±0.2nH	500MHz	450mA	0.25ohm	13	500MHz	6000MHz	New
LQP03TG2N8B02□	2.8nH ±0.1nH	500MHz	450mA	0.25ohm	13	500MHz	6000MHz	New Kit
LQP03TG2N8C02□	2.8nH ±0.2nH	500MHz	450mA	0.25ohm	13	500MHz	6000MHz	New
LQP03TG2N9B02□	2.9nH ±0.1nH	500MHz	450mA	0.25ohm	13	500MHz	6000MHz	New Kit
LQP03TG2N9C02□	2.9nH ±0.2nH	500MHz	450mA	0.25ohm	13	500MHz	6000MHz	New
LQP03TG3N0B02□	3.0nH ±0.1nH	500MHz	450mA	0.25ohm	13	500MHz	6000MHz	New Kit
LQP03TG3N0C02□	3.0nH ±0.2nH	500MHz	450mA	0.25ohm	13	500MHz	6000MHz	New
LQP03TG3N1B02□	3.1nH ±0.1nH	500MHz	400mA	0.32ohm	13	500MHz	6000MHz	New Kit
LQP03TG3N1C02□	3.1nH ±0.2nH	500MHz	400mA	0.32ohm	13	500MHz	6000MHz	New
LQP03TG3N2B02□	3.2nH ±0.1nH	500MHz	400mA	0.32ohm	13	500MHz	6000MHz	New Kit
LQP03TG3N2C02□	3.2nH ±0.2nH	500MHz	400mA	0.32ohm	13	500MHz	6000MHz	New
LQP03TG3N3B02□	3.3nH ±0.1nH	500MHz	400mA	0.32ohm	13	500MHz	6000MHz	New Kit
LQP03TG3N3C02□	3.3nH ±0.2nH	500MHz	400mA	0.32ohm	13	500MHz	6000MHz	New
LQP03TG3N4B02□	3.4nH ±0.1nH	500MHz	350mA	0.35ohm	13	500MHz	6000MHz	New Kit
LQP03TG3N4C02□	3.4nH ±0.2nH	500MHz	350mA	0.35ohm	13	500MHz	6000MHz	New
LQP03TG3N5B02□	3.5nH ±0.1nH	500MHz	350mA	0.35ohm	13	500MHz	6000MHz	New Kit
LQP03TG3N5C02□	3.5nH ±0.2nH	500MHz	350mA	0.35ohm	13	500MHz	6000MHz	New
LQP03TG3N6B02□	3.6nH ±0.1nH	500MHz	350mA	0.35ohm	13	500MHz	6000MHz	New Kit
LQP03TG3N6C02□	3.6nH ±0.2nH	500MHz	350mA	0.35ohm	13	500MHz	6000MHz	New
LQP03TG3N7B02□	3.7nH ±0.1nH	500MHz	350mA	0.35ohm	13	500MHz	6000MHz	New Kit
LQP03TG3N7C02□	3.7nH ±0.2nH	500MHz	350mA	0.35ohm	13	500MHz	6000MHz	New
LQP03TG3N8B02□	3.8nH ±0.1nH	500MHz	350mA	0.35ohm	13	500MHz	6000MHz	New Kit
LQP03TG3N8C02□	3.8nH ±0.2nH	500MHz	350mA	0.35ohm	13	500MHz	6000MHz	New
LQP03TG3N9B02□	3.9nH ±0.1nH	500MHz	350mA	0.35ohm	13	500MHz	6000MHz	New Kit
LQP03TG3N9C02□	3.9nH ±0.2nH	500MHz	350mA	0.35ohm	13	500MHz	6000MHz	New
LQP03TG4N3H02□	4.3nH ±3%	500MHz	300mA	0.58ohm	13	500MHz	6000MHz	New Kit
LQP03TG4N3J02□	4.3nH ±5%	500MHz	300mA	0.58ohm	13	500MHz	6000MHz	New
LQP03TG4N7H02□	4.7nH ±3%	500MHz	250mA	0.72ohm	12	500MHz	6000MHz	New Kit
LQP03TG4N7J02□	4.7nH ±5%	500MHz	250mA	0.72ohm	12	500MHz	6000MHz	New
LQP03TG5N1H02□	5.1nH ±3%	500MHz	250mA	0.72ohm	12	500MHz	6000MHz	New Kit
LQP03TG5N1J02□	5.1nH ±5%	500MHz	250mA	0.72ohm	12	500MHz	6000MHz	New
LQP03TG5N6H02□	5.6nH ±3%	500MHz	250mA	0.88ohm	12	500MHz	6000MHz	New Kit
LQP03TG5N6J02□	5.6nH ±5%	500MHz	250mA	0.88ohm	12	500MHz	6000MHz	New
LQP03TG6N2H02□	6.2nH ±3%	500MHz	200mA	1.15ohm	12	500MHz	6000MHz	New Kit
LQP03TG6N2J02□	6.2nH ±5%	500MHz	200mA	1.15ohm	12	500MHz	6000MHz	New
LQP03TG6N8H02□	6.8nH ±3%	500MHz	200mA	1.15ohm	12	500MHz	5400MHz	New Kit

Operating Temperature Range (Self-temperature rise is not included): -55°C to +125°C
Only for reflow soldering.

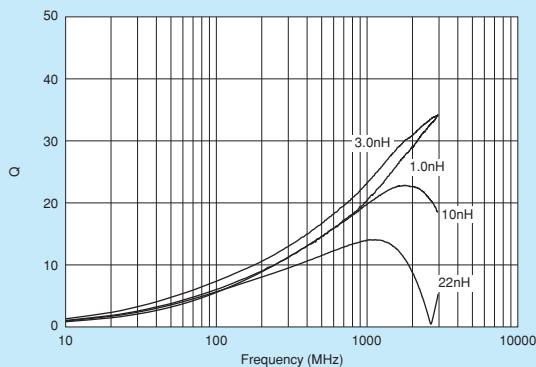
Continued on the following page. 

△Note • Please read rating and △CAUTION (for storage, operating, rating, soldering, mounting and handling) in this catalog to prevent smoking and/or burning, etc.
• This catalog has only typical specifications. Therefore, please approve our product specifications or transact the approval sheet for product specifications before ordering.

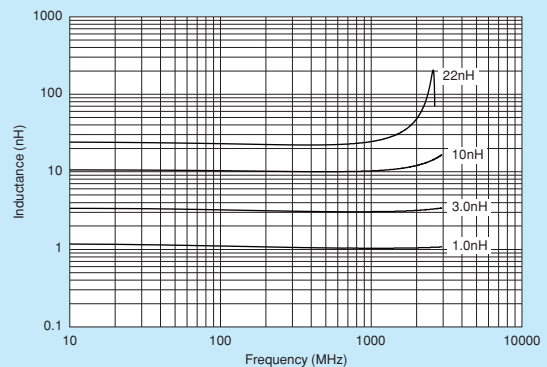
Part Number	Inductance	Test Frequency	Rated Current	Max. of DC Resistance	Q (min.)	Test Frequency	Self Resonance Frequency (min.)	
LQP03TG6N8J02□	6.8nH ±5%	500MHz	200mA	1.15ohm	12	500MHz	5400MHz	New
LQP03TG7N5H02□	7.5nH ±3%	500MHz	200mA	1.22ohm	12	500MHz	4800MHz	New Kit
LQP03TG7N5J02□	7.5nH ±5%	500MHz	200mA	1.22ohm	12	500MHz	4800MHz	New
LQP03TG8N2H02□	8.2nH ±3%	500MHz	200mA	1.40ohm	12	500MHz	4800MHz	New Kit
LQP03TG8N2J02□	8.2nH ±5%	500MHz	200mA	1.40ohm	12	500MHz	4800MHz	New
LQP03TG9N1H02□	9.1nH ±3%	500MHz	200mA	1.40ohm	11	500MHz	4500MHz	New Kit
LQP03TG9N1J02□	9.1nH ±5%	500MHz	200mA	1.40ohm	11	500MHz	4500MHz	New
LQP03TG10NH02□	10nH ±3%	500MHz	190mA	1.52ohm	11	500MHz	4500MHz	New Kit
LQP03TG10NJ02□	10nH ±5%	500MHz	190mA	1.52ohm	11	500MHz	4500MHz	New
LQP03TG12NH02□	12nH ±3%	500MHz	180mA	1.78ohm	11	500MHz	3700MHz	New Kit
LQP03TG12NJ02□	12nH ±5%	500MHz	180mA	1.78ohm	11	500MHz	3700MHz	New
LQP03TG15NH02□	15nH ±3%	500MHz	170mA	1.90ohm	11	500MHz	3100MHz	New Kit
LQP03TG15NJ02□	15nH ±5%	500MHz	170mA	1.90ohm	11	500MHz	3100MHz	New
LQP03TG18NH02□	18nH ±3%	500MHz	160mA	2.28ohm	11	500MHz	2800MHz	New Kit
LQP03TG18NJ02□	18nH ±5%	500MHz	160mA	2.28ohm	11	500MHz	2800MHz	New
LQP03TG22NH02□	22nH ±3%	500MHz	140mA	2.85ohm	9	500MHz	2500MHz	New Kit
LQP03TG22NJ02□	22nH ±5%	500MHz	140mA	2.85ohm	9	500MHz	2500MHz	New

Operating Temperature Range (Self-temperature rise is not included): -55°C to +125°C
Only for reflow soldering.

■ Q-Frequency Characteristics (Typ.)



■ Inductance-Frequency Characteristics (Typ.)



Continued on the following page.

△Note • Please read rating and △CAUTION (for storage, operating, rating, soldering, mounting and handling) in this catalog to prevent smoking and/or burning, etc.
• This catalog has only typical specifications. Therefore, please approve our product specifications or transact the approval sheet for product specifications before ordering.

Reference Data

4991A+16197A

Part Number	Q (Typ.)				
	800MHz	900MHz	1.8GHz	2.0GHz	2.4GHz
LQP03TG0N6	17	18	26	27	29
LQP03TG0N7	18	20	29	30	33
LQP03TG0N8	18	20	29	30	33
LQP03TG0N9	19	20	30	31	34
LQP03TG1N0	18	19	28	29	31
LQP03TG1N1	18	20	28	29	32
LQP03TG1N2	19	20	29	30	33
LQP03TG1N3	18	19	28	29	32
LQP03TG1N4	20	22	31	33	35
LQP03TG1N5	21	22	32	33	35
LQP03TG1N6	18	20	29	30	32
LQP03TG1N7	18	19	28	29	32
LQP03TG1N8	20	21	30	31	33
LQP03TG1N9	19	21	30	31	33
LQP03TG2N0	20	21	30	31	33
LQP03TG2N1	19	20	28	29	31
LQP03TG2N2	19	20	28	29	31
LQP03TG2N3	19	20	28	29	32
LQP03TG2N4	20	21	30	31	34
LQP03TG2N5	19	20	29	30	32
LQP03TG2N6	19	20	28	30	32
LQP03TG2N7	19	20	29	30	31
LQP03TG2N8	20	21	30	31	33
LQP03TG2N9	20	21	30	31	33
LQP03TG3N0	21	22	30	31	33
LQP03TG3N1	20	21	30	31	33
LQP03TG3N2	20	21	30	31	33
LQP03TG3N3	21	22	31	31	34
LQP03TG3N4	20	21	29	30	32
LQP03TG3N5	19	20	28	29	31
LQP03TG3N6	20	21	29	29	31
LQP03TG3N7	19	20	27	28	30
LQP03TG3N8	19	20	28	29	31
LQP03TG3N9	20	21	29	30	31
LQP03TG4N3	19	21	28	28	30
LQP03TG4N7	19	20	27	28	29
LQP03TG5N1	19	20	27	27	29
LQP03TG5N6	18	19	25	26	27
LQP03TG6N2	18	19	25	26	26
LQP03TG6N8	18	19	25	25	25
LQP03TG7N5	18	19	24	24	24
LQP03TG8N2	18	19	24	24	24
LQP03TG9N1	18	19	23	22	22
LQP03TG10N	18	19	23	23	22
LQP03TG12N	17	18	20	20	17
LQP03TG15N	17	18	18	17	13
LQP03TG18N	15	16	14	13	8
LQP03TG22N	13	14	11	9	4

△Note • Please read rating and △CAUTION (for storage, operating, rating, soldering, mounting and handling) in this catalog to prevent smoking and/or burning, etc.
 • This catalog has only typical specifications. Therefore, please approve our product specifications or transact the approval sheet for product specifications before ordering.

Inductor for Power Lines (Power Inductor)

Inductor for Low Frequency Circuits

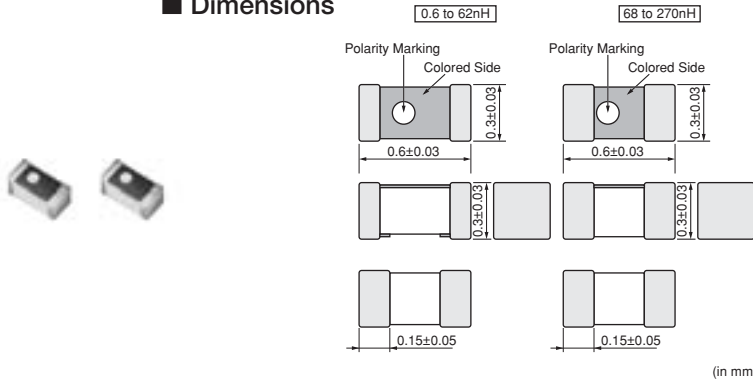
Film Non-Magnetic Type
RF Inductor

LQP03TN_02 Series (0201 Size)



0201 Size, High Q, Wide Variation

■ Dimensions



■ Packaging

Code	Packaging	Minimum Quantity
D	180mm Paper Tape	15000
J	330mm Paper Tape	50000
B	Bulk(Bag)	500

Refer to pages from p.186 to p.189 for mounting information.

■ Rated Value (□: packaging code)

Part Number	Inductance	Test Frequency	Rated Current	Max. of DC Resistance	Q (min.)	Test Frequency	Self Resonance Frequency (min.)	
LQP03TN0N6B02□	0.6nH ±0.1nH	500MHz	850mA	0.07ohm	14	500MHz	6000MHz	Kit
LQP03TN0N6C02□	0.6nH ±0.2nH	500MHz	850mA	0.07ohm	14	500MHz	6000MHz	
LQP03TN0N7B02□	0.7nH ±0.1nH	500MHz	800mA	0.08ohm	14	500MHz	6000MHz	Kit
LQP03TN0N7C02□	0.7nH ±0.2nH	500MHz	800mA	0.08ohm	14	500MHz	6000MHz	
LQP03TN0N8B02□	0.8nH ±0.1nH	500MHz	800mA	0.08ohm	14	500MHz	6000MHz	Kit
LQP03TN0N8C02□	0.8nH ±0.2nH	500MHz	800mA	0.08ohm	14	500MHz	6000MHz	
LQP03TN0N9B02□	0.9nH ±0.1nH	500MHz	750mA	0.10ohm	14	500MHz	6000MHz	Kit
LQP03TN0N9C02□	0.9nH ±0.2nH	500MHz	750mA	0.10ohm	14	500MHz	6000MHz	
LQP03TN1N0B02□	1.0nH ±0.1nH	500MHz	750mA	0.10ohm	14	500MHz	6000MHz	Kit
LQP03TN1N0C02□	1.0nH ±0.2nH	500MHz	750mA	0.10ohm	14	500MHz	6000MHz	
LQP03TN1N1B02□	1.1nH ±0.1nH	500MHz	750mA	0.10ohm	14	500MHz	6000MHz	Kit
LQP03TN1N1C02□	1.1nH ±0.2nH	500MHz	750mA	0.10ohm	14	500MHz	6000MHz	
LQP03TN1N2B02□	1.2nH ±0.1nH	500MHz	750mA	0.10ohm	14	500MHz	6000MHz	Kit
LQP03TN1N2C02□	1.2nH ±0.2nH	500MHz	750mA	0.10ohm	14	500MHz	6000MHz	
LQP03TN1N3B02□	1.3nH ±0.1nH	500MHz	600mA	0.15ohm	14	500MHz	6000MHz	Kit
LQP03TN1N3C02□	1.3nH ±0.2nH	500MHz	600mA	0.15ohm	14	500MHz	6000MHz	
LQP03TN1N4B02□	1.4nH ±0.1nH	500MHz	600mA	0.15ohm	14	500MHz	6000MHz	Kit
LQP03TN1N4C02□	1.4nH ±0.2nH	500MHz	600mA	0.15ohm	14	500MHz	6000MHz	
LQP03TN1N5B02□	1.5nH ±0.1nH	500MHz	600mA	0.15ohm	14	500MHz	6000MHz	Kit
LQP03TN1N5C02□	1.5nH ±0.2nH	500MHz	600mA	0.15ohm	14	500MHz	6000MHz	
LQP03TN1N6B02□	1.6nH ±0.1nH	500MHz	600mA	0.15ohm	14	500MHz	6000MHz	Kit
LQP03TN1N6C02□	1.6nH ±0.2nH	500MHz	600mA	0.15ohm	14	500MHz	6000MHz	
LQP03TN1N7B02□	1.7nH ±0.1nH	500MHz	600mA	0.15ohm	14	500MHz	6000MHz	Kit
LQP03TN1N7C02□	1.7nH ±0.2nH	500MHz	600mA	0.15ohm	14	500MHz	6000MHz	
LQP03TN1N8B02□	1.8nH ±0.1nH	500MHz	600mA	0.15ohm	14	500MHz	6000MHz	Kit
LQP03TN1N8C02□	1.8nH ±0.2nH	500MHz	600mA	0.15ohm	14	500MHz	6000MHz	
LQP03TN1N9B02□	1.9nH ±0.1nH	500MHz	600mA	0.15ohm	14	500MHz	6000MHz	Kit
LQP03TN1N9C02□	1.9nH ±0.2nH	500MHz	600mA	0.15ohm	14	500MHz	6000MHz	
LQP03TN2N0B02□	2.0nH ±0.1nH	500MHz	600mA	0.15ohm	14	500MHz	6000MHz	Kit
LQP03TN2N0C02□	2.0nH ±0.2nH	500MHz	600mA	0.15ohm	14	500MHz	6000MHz	
LQP03TN2N1B02□	2.1nH ±0.1nH	500MHz	600mA	0.15ohm	14	500MHz	6000MHz	Kit
LQP03TN2N1C02□	2.1nH ±0.2nH	500MHz	600mA	0.15ohm	14	500MHz	6000MHz	


Operating Temperature Range (Self-temperature rise is not included): -55°C to +125°C
Only for reflow soldering.

Continued on the following page.

△Note • Please read rating and △CAUTION (for storage, operating, rating, soldering, mounting and handling) in this catalog to prevent smoking and/or burning, etc.
• This catalog has only typical specifications. Therefore, please approve our product specifications or transact the approval sheet for product specifications before ordering.

Part Number	Inductance	Test Frequency	Rated Current	Max. of DC Resistance	Q (min.)	Test Frequency	Self Resonance Frequency (min.)	
LQP03TN2N2B02□	2.2nH ±0.1nH	500MHz	600mA	0.15ohm	14	500MHz	6000MHz	Kit
LQP03TN2N2C02□	2.2nH ±0.2nH	500MHz	600mA	0.15ohm	14	500MHz	6000MHz	
LQP03TN2N3B02□	2.3nH ±0.1nH	500MHz	500mA	0.20ohm	14	500MHz	6000MHz	Kit
LQP03TN2N3C02□	2.3nH ±0.2nH	500MHz	500mA	0.20ohm	14	500MHz	6000MHz	
LQP03TN2N4B02□	2.4nH ±0.1nH	500MHz	500mA	0.20ohm	14	500MHz	6000MHz	Kit
LQP03TN2N4C02□	2.4nH ±0.2nH	500MHz	500mA	0.20ohm	14	500MHz	6000MHz	
LQP03TN2N5B02□	2.5nH ±0.1nH	500MHz	500mA	0.20ohm	14	500MHz	6000MHz	Kit
LQP03TN2N5C02□	2.5nH ±0.2nH	500MHz	500mA	0.20ohm	14	500MHz	6000MHz	
LQP03TN2N6B02□	2.6nH ±0.1nH	500MHz	500mA	0.20ohm	14	500MHz	6000MHz	Kit
LQP03TN2N6C02□	2.6nH ±0.2nH	500MHz	500mA	0.20ohm	14	500MHz	6000MHz	
LQP03TN2N7B02□	2.7nH ±0.1nH	500MHz	500mA	0.20ohm	14	500MHz	6000MHz	Kit
LQP03TN2N7C02□	2.7nH ±0.2nH	500MHz	500mA	0.20ohm	14	500MHz	6000MHz	
LQP03TN2N8B02□	2.8nH ±0.1nH	500MHz	500mA	0.20ohm	14	500MHz	6000MHz	Kit
LQP03TN2N8C02□	2.8nH ±0.2nH	500MHz	500mA	0.20ohm	14	500MHz	6000MHz	
LQP03TN2N9B02□	2.9nH ±0.1nH	500MHz	500mA	0.20ohm	14	500MHz	6000MHz	Kit
LQP03TN2N9C02□	2.9nH ±0.2nH	500MHz	500mA	0.20ohm	14	500MHz	6000MHz	
LQP03TN3N0B02□	3.0nH ±0.1nH	500MHz	450mA	0.25ohm	14	500MHz	6000MHz	Kit
LQP03TN3N0C02□	3.0nH ±0.2nH	500MHz	450mA	0.25ohm	14	500MHz	6000MHz	
LQP03TN3N1B02□	3.1nH ±0.1nH	500MHz	450mA	0.25ohm	14	500MHz	6000MHz	Kit
LQP03TN3N1C02□	3.1nH ±0.2nH	500MHz	450mA	0.25ohm	14	500MHz	6000MHz	
LQP03TN3N2B02□	3.2nH ±0.1nH	500MHz	450mA	0.25ohm	14	500MHz	6000MHz	Kit
LQP03TN3N2C02□	3.2nH ±0.2nH	500MHz	450mA	0.25ohm	14	500MHz	6000MHz	
LQP03TN3N3B02□	3.3nH ±0.1nH	500MHz	450mA	0.25ohm	14	500MHz	6000MHz	Kit
LQP03TN3N3C02□	3.3nH ±0.2nH	500MHz	450mA	0.25ohm	14	500MHz	6000MHz	
LQP03TN3N4B02□	3.4nH ±0.1nH	500MHz	450mA	0.25ohm	14	500MHz	6000MHz	Kit
LQP03TN3N4C02□	3.4nH ±0.2nH	500MHz	450mA	0.25ohm	14	500MHz	6000MHz	
LQP03TN3N5B02□	3.5nH ±0.1nH	500MHz	450mA	0.25ohm	14	500MHz	6000MHz	Kit
LQP03TN3N5C02□	3.5nH ±0.2nH	500MHz	450mA	0.25ohm	14	500MHz	6000MHz	
LQP03TN3N6B02□	3.6nH ±0.1nH	500MHz	400mA	0.30ohm	14	500MHz	6000MHz	Kit
LQP03TN3N6C02□	3.6nH ±0.2nH	500MHz	400mA	0.30ohm	14	500MHz	6000MHz	
LQP03TN3N7B02□	3.7nH ±0.1nH	500MHz	400mA	0.30ohm	14	500MHz	6000MHz	Kit
LQP03TN3N7C02□	3.7nH ±0.2nH	500MHz	400mA	0.30ohm	14	500MHz	6000MHz	
LQP03TN3N8B02□	3.8nH ±0.1nH	500MHz	400mA	0.30ohm	14	500MHz	6000MHz	Kit
LQP03TN3N8C02□	3.8nH ±0.2nH	500MHz	400mA	0.30ohm	14	500MHz	6000MHz	
LQP03TN3N9B02□	3.9nH ±0.1nH	500MHz	400mA	0.30ohm	14	500MHz	5700MHz	Kit
LQP03TN3N9C02□	3.9nH ±0.2nH	500MHz	400mA	0.30ohm	14	500MHz	5700MHz	
LQP03TN4N0B02□	4.0nH ±0.1nH	500MHz	350mA	0.40ohm	14	500MHz	5300MHz	New Kit
LQP03TN4N0C02□	4.0nH ±0.2nH	500MHz	350mA	0.40ohm	14	500MHz	5300MHz	New
LQP03TN4N1B02□	4.1nH ±0.1nH	500MHz	350mA	0.40ohm	14	500MHz	5300MHz	New Kit
LQP03TN4N1C02□	4.1nH ±0.2nH	500MHz	350mA	0.40ohm	14	500MHz	5300MHz	New
LQP03TN4N2B02□	4.2nH ±0.1nH	500MHz	350mA	0.40ohm	14	500MHz	5300MHz	New Kit
LQP03TN4N2C02□	4.2nH ±0.2nH	500MHz	350mA	0.40ohm	14	500MHz	5300MHz	New
LQP03TN4N3H02□	4.3nH ±3%	500MHz	350mA	0.40ohm	14	500MHz	5300MHz	Kit
LQP03TN4N3J02□	4.3nH ±5%	500MHz	350mA	0.40ohm	14	500MHz	5300MHz	
LQP03TN4N7H02□	4.7nH ±3%	500MHz	350mA	0.40ohm	14	500MHz	4400MHz	Kit
LQP03TN4N7J02□	4.7nH ±5%	500MHz	350mA	0.40ohm	14	500MHz	4400MHz	
LQP03TN5N1H02□	5.1nH ±3%	500MHz	350mA	0.40ohm	14	500MHz	4200MHz	Kit


Operating Temperature Range (Self-temperature rise is not included): -55°C to +125°C
Only for reflow soldering.

Continued on the following page. 

△Note • Please read rating and △CAUTION (for storage, operating, rating, soldering, mounting and handling) in this catalog to prevent smoking and/or burning, etc.
• This catalog has only typical specifications. Therefore, please approve our product specifications or transact the approval sheet for product specifications before ordering.

Part Number	Inductance	Test Frequency	Rated Current	Max. of DC Resistance	Q (min.)	Test Frequency	Self Resonance Frequency (min.)	
LQP03TN5N1J02□	5.1nH ±5%	500MHz	350mA	0.40ohm	14	500MHz	4200MHz	
LQP03TN5N6H02□	5.6nH ±3%	500MHz	350mA	0.40ohm	14	500MHz	4000MHz	Kit
LQP03TN5N6J02□	5.6nH ±5%	500MHz	350mA	0.40ohm	14	500MHz	4000MHz	
LQP03TN6N2H02□	6.2nH ±3%	500MHz	300mA	0.60ohm	14	500MHz	4000MHz	Kit
LQP03TN6N2J02□	6.2nH ±5%	500MHz	300mA	0.60ohm	14	500MHz	4000MHz	
LQP03TN6N8H02□	6.8nH ±3%	500MHz	300mA	0.60ohm	14	500MHz	3900MHz	Kit
LQP03TN6N8J02□	6.8nH ±5%	500MHz	300mA	0.60ohm	14	500MHz	3900MHz	
LQP03TN7N5H02□	7.5nH ±3%	500MHz	300mA	0.60ohm	14	500MHz	3700MHz	Kit
LQP03TN7N5J02□	7.5nH ±5%	500MHz	300mA	0.60ohm	14	500MHz	3700MHz	
LQP03TN8N2H02□	8.2nH ±3%	500MHz	250mA	0.70ohm	14	500MHz	3600MHz	Kit
LQP03TN8N2J02□	8.2nH ±5%	500MHz	250mA	0.70ohm	14	500MHz	3600MHz	
LQP03TN9N1H02□	9.1nH ±3%	500MHz	250mA	0.70ohm	14	500MHz	3300MHz	Kit
LQP03TN9N1J02□	9.1nH ±5%	500MHz	250mA	0.70ohm	14	500MHz	3300MHz	
LQP03TN10NH02□	10nH ±3%	500MHz	250mA	0.70ohm	14	500MHz	3200MHz	Kit
LQP03TN10NJ02□	10nH ±5%	500MHz	250mA	0.70ohm	14	500MHz	3200MHz	
LQP03TN11NH02□	11nH ±3%	500MHz	250mA	0.80ohm	14	500MHz	2900MHz	New Kit
LQP03TN11NJ02□	11nH ±5%	500MHz	250mA	0.80ohm	14	500MHz	2900MHz	New
LQP03TN12NH02□	12nH ±3%	500MHz	250mA	0.70ohm	12	500MHz	2900MHz	Kit
LQP03TN12NJ02□	12nH ±5%	500MHz	250mA	0.70ohm	12	500MHz	2900MHz	
LQP03TN13NH02□	13nH ±3%	500MHz	250mA	0.80ohm	12	500MHz	2600MHz	New Kit
LQP03TN13NJ02□	13nH ±5%	500MHz	250mA	0.80ohm	12	500MHz	2600MHz	New
LQP03TN15NH02□	15nH ±3%	500MHz	250mA	0.70ohm	12	500MHz	2600MHz	Kit
LQP03TN15NJ02□	15nH ±5%	500MHz	250mA	0.70ohm	12	500MHz	2600MHz	
LQP03TN16NH02□	16nH ±3%	500MHz	200mA	0.95ohm	12	500MHz	2200MHz	New Kit
LQP03TN16NJ02□	16nH ±5%	500MHz	200mA	0.95ohm	12	500MHz	2200MHz	New
LQP03TN18NH02□	18nH ±3%	500MHz	200mA	0.80ohm	12	500MHz	2200MHz	Kit
LQP03TN18NJ02□	18nH ±5%	500MHz	200mA	0.80ohm	12	500MHz	2200MHz	
LQP03TN20NH02□	20nH ±3%	500MHz	150mA	2.30ohm	12	500MHz	2200MHz	New Kit
LQP03TN20NJ02□	20nH ±5%	500MHz	150mA	2.30ohm	12	500MHz	2200MHz	New
LQP03TN22NH02□	22nH ±3%	500MHz	150mA	1.90ohm	12	500MHz	2200MHz	Kit
LQP03TN22NJ02□	22nH ±5%	500MHz	150mA	1.90ohm	12	500MHz	2200MHz	
LQP03TN24NH02□	24nH ±3%	500MHz	140mA	2.30ohm	12	500MHz	2000MHz	New Kit
LQP03TN24NJ02□	24nH ±5%	500MHz	140mA	2.30ohm	12	500MHz	2000MHz	New
LQP03TN27NH02□	27nH ±3%	500MHz	140mA	2.30ohm	12	500MHz	2000MHz	Kit
LQP03TN27NJ02□	27nH ±5%	500MHz	140mA	2.30ohm	12	500MHz	2000MHz	
LQP03TN30NH02□	30nH ±3%	500MHz	120mA	2.95ohm	9	500MHz	1700MHz	New Kit
LQP03TN30NJ02□	30nH ±5%	500MHz	120mA	2.95ohm	9	500MHz	1700MHz	New
LQP03TN33NJ02□	33nH ±5%	300MHz	120mA	2.95ohm	9	300MHz	1700MHz	Kit
LQP03TN36NJ02□	36nH ±5%	300MHz	120mA	3.00ohm	9	300MHz	1500MHz	New Kit
LQP03TN39NJ02□	39nH ±5%	300MHz	120mA	3.00ohm	9	300MHz	1500MHz	Kit
LQP03TN43NJ02□	43nH ±5%	300MHz	100mA	3.60ohm	9	300MHz	1300MHz	New Kit
LQP03TN47NJ02□	47nH ±5%	300MHz	100mA	3.60ohm	9	300MHz	1300MHz	Kit
LQP03TN51NJ02□	51nH ±5%	300MHz	100mA	3.90ohm	9	300MHz	1200MHz	New Kit
LQP03TN56NJ02□	56nH ±5%	300MHz	100mA	3.90ohm	9	300MHz	1200MHz	Kit
LQP03TN62NJ02□	62nH ±5%	300MHz	100mA	8.00ohm	8	300MHz	1100MHz	New Kit
LQP03TN68NJ02□	68nH ±5%	300MHz	100mA	8.00ohm	8	300MHz	1100MHz	Kit
LQP03TN82NJ02□	82nH ±5%	300MHz	100mA	10.0ohm	8	300MHz	1000MHz	Kit

Operating Temperature Range (Self-temperature rise is not included): -55°C to +125°C
Only for reflow soldering.

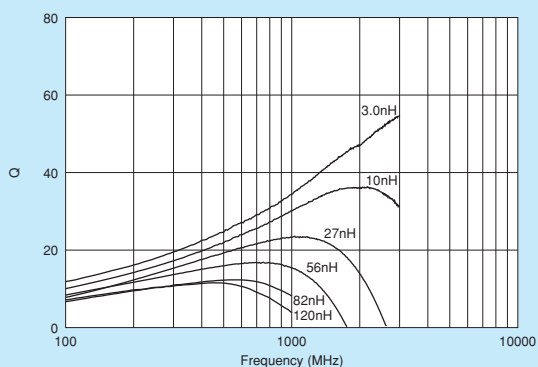
Continued on the following page. 

△Note • Please read rating and △CAUTION (for storage, operating, rating, soldering, mounting and handling) in this catalog to prevent smoking and/or burning, etc.
• This catalog has only typical specifications. Therefore, please approve our product specifications or transact the approval sheet for product specifications before ordering.

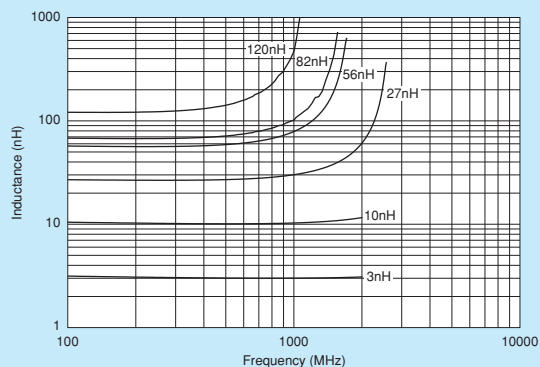
Part Number	Inductance	Test Frequency	Rated Current	Max. of DC Resistance	Q (min.)	Test Frequency	Self Resonance Frequency (min.)	
LQP03TNR10J02□	100nH ±5%	300MHz	80mA	10.0ohm	8	300MHz	900MHz	Kit
LQP03TNR12J02□	120nH ±5%	300MHz	80mA	12.0ohm	8	300MHz	800MHz	Kit
LQP03TNR15J02□	150nH ±5%	100MHz	80mA	9.00ohm	5	100MHz	650MHz	New Kit
LQP03TNR18J02□	180nH ±5%	100MHz	70mA	11.0ohm	5	100MHz	600MHz	New Kit
LQP03TNR22J02□	220nH ±5%	100MHz	60mA	13.0ohm	5	100MHz	500MHz	New Kit
LQP03TNR27J02□	270nH ±5%	100MHz	60mA	15.0ohm	5	100MHz	450MHz	New Kit

Operating Temperature Range (Self-temperature rise is not included): -55°C to +125°C
 Only for reflow soldering.

■ Q-Frequency Characteristics (Typ.)



■ Inductance-Frequency Characteristics (Typ.)



Continued on the following page.

△Note • Please read rating and △CAUTION (for storage, operating, rating, soldering, mounting and handling) in this catalog to prevent smoking and/or burning, etc.
 • This catalog has only typical specifications. Therefore, please approve our product specifications or transact the approval sheet for product specifications before ordering.

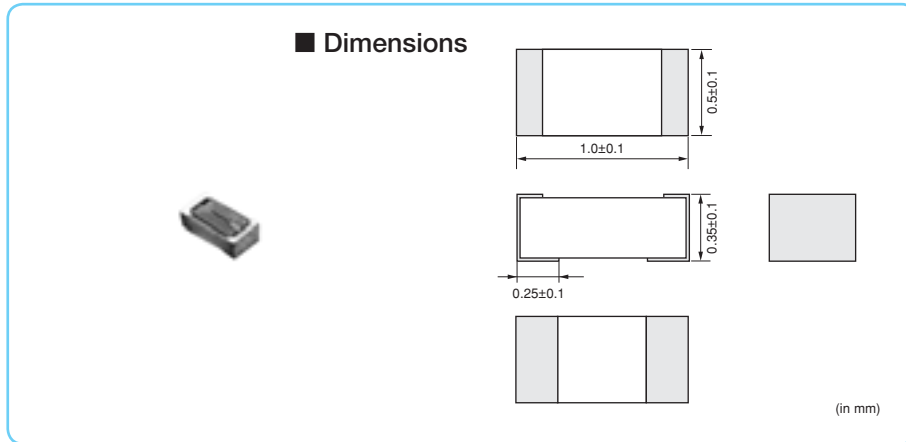
■ Reference Data

Part Number	Q (Typ.)				
	800MHz	900MHz	1.8GHz	2.0GHz	2.4GHz
LQP03TN0N6□02	35 min.	42 min.	62 min.	65 min.	71 min.
LQP03TN0N7□02	35 min.	42 min.	62 min.	65 min.	71 min.
LQP03TN0N8□02	35 min.	42 min.	62 min.	65 min.	71 min.
LQP03TN0N9□02	35 min.	42 min.	62 min.	65 min.	71 min.
LQP03TN1N0□02	35 min.	42 min.	62 min.	65 min.	71 min.
LQP03TN1N1□02	35 min.	42 min.	62 min.	65 min.	71 min.
LQP03TN1N2□02	35	42	62	65	71
LQP03TN1N3□02	35	42	62	64	71
LQP03TN1N4□02	34	36	52	55	60
LQP03TN1N5□02	34	36	55	58	63
LQP03TN1N6□02	32	34	50	52	57
LQP03TN1N7□02	33	34	48	50	54
LQP03TN1N8□02	32	34	50	53	57
LQP03TN1N9□02	32	34	49	51	56
LQP03TN2N0□02	32	34	49	51	55
LQP03TN2N1□02	31	33	48	49	53
LQP03TN2N2□02	31	33	48	50	54
LQP03TN2N3□02	31	33	48	50	54
LQP03TN2N4□02	31	33	47	49	53
LQP03TN2N5□02	31	33	48	49	53
LQP03TN2N6□02	31	33	48	49	53
LQP03TN2N7□02	30	31	45	46	50
LQP03TN2N8□02	31	32	47	49	52
LQP03TN2N9□02	31	32	48	49	52
LQP03TN3N0□02	31	33	46	47	51
LQP03TN3N1□02	30	32	46	48	51
LQP03TN3N2□02	30	32	46	48	51
LQP03TN3N3□02	30	31	45	46	50
LQP03TN3N4□02	30	32	46	47	49
LQP03TN3N5□02	29	31	44	45	48
LQP03TN3N6□02	29	31	43	44	47
LQP03TN3N7□02	28	29	41	42	44
LQP03TN3N8□02	28	30	42	43	44
LQP03TN3N9□02	28	30	42	42	44
LQP03TN4N3□02	29	30	43	44	47
LQP03TN4N7□02	29	30	42	42	44
LQP03TN5N1□02	27	28	38	38	40
LQP03TN5N6□02	28	29	40	40	43
LQP03TN6N2□02	27	28	38	39	40
LQP03TN6N8□02	27	29	38	38	40
LQP03TN7N5□02	27	28	37	37	38
LQP03TN8N2□02	27	28	36	36	37
LQP03TN9N1□02	26	28	34	34	34
LQP03TN10N□02	26	28	34	34	33
LQP03TN12N□02	26	27	31	30	26
LQP03TN15N□02	23	24	23	21	15
LQP03TN18N□02	25	26	24	-	-
LQP03TN22N□02	23	24	21	-	-
LQP03TN27N□02	22	23	17	-	-
LQP03TN33N□02	22	22	-	-	-
LQP03TN39N□02	18	18	-	-	-
LQP03TN47N□02	18	18	-	-	-
LQP03TN56N□02	17	16	-	-	-

△Note • Please read rating and △CAUTION (for storage, operating, rating, soldering, mounting and handling) in this catalog to prevent smoking and/or burning, etc.
 • This catalog has only typical specifications. Therefore, please approve our product specifications or transact the approval sheet for product specifications before ordering.



0402 Size, Tight Inductance Tolerance



■ Packaging

Code	Packaging	Minimum Quantity
D	180mm Paper Tape	10000
J	330mm Paper Tape	50000
B	Bulk(Bag)	500

Refer to pages from p.186 to p.189 for mounting information.

■ Rated Value (□: packaging code)

Part Number	Inductance	Test Frequency	Rated Current	Max. of DC Resistance	Q (min.)	Test Frequency	Self Resonance Frequency (min.)	
LQP15MN1N0B02□	1.0nH ±0.1nH	500MHz	400mA	0.1ohm	13	500MHz	6000MHz	Kit
LQP15MN1N0W02□	1.0nH ±0.05nH	500MHz	400mA	0.1ohm	13	500MHz	6000MHz	
LQP15MN1N1B02□	1.1nH ±0.1nH	500MHz	390mA	0.1ohm	13	500MHz	6000MHz	Kit
LQP15MN1N1W02□	1.1nH ±0.05nH	500MHz	390mA	0.1ohm	13	500MHz	6000MHz	
LQP15MN1N2B02□	1.2nH ±0.1nH	500MHz	390mA	0.1ohm	13	500MHz	6000MHz	Kit
LQP15MN1N2W02□	1.2nH ±0.05nH	500MHz	390mA	0.1ohm	13	500MHz	6000MHz	
LQP15MN1N3B02□	1.3nH ±0.1nH	500MHz	280mA	0.2ohm	13	500MHz	6000MHz	Kit
LQP15MN1N3W02□	1.3nH ±0.05nH	500MHz	280mA	0.2ohm	13	500MHz	6000MHz	
LQP15MN1N4W02□	1.4nH ±0.05nH	500MHz	280mA	0.2ohm	13	500MHz	6000MHz	
LQP15MN1N5B02□	1.5nH ±0.1nH	500MHz	280mA	0.2ohm	13	500MHz	6000MHz	Kit
LQP15MN1N5W02□	1.5nH ±0.05nH	500MHz	280mA	0.2ohm	13	500MHz	6000MHz	
LQP15MN1N6B02□	1.6nH ±0.1nH	500MHz	220mA	0.3ohm	13	500MHz	6000MHz	Kit
LQP15MN1N6W02□	1.6nH ±0.05nH	500MHz	220mA	0.3ohm	13	500MHz	6000MHz	
LQP15MN1N7W02□	1.7nH ±0.05nH	500MHz	280mA	0.2ohm	13	500MHz	6000MHz	
LQP15MN1N8B02□	1.8nH ±0.1nH	500MHz	280mA	0.2ohm	13	500MHz	6000MHz	Kit
LQP15MN1N8W02□	1.8nH ±0.05nH	500MHz	280mA	0.2ohm	13	500MHz	6000MHz	
LQP15MN1N9W02□	1.9nH ±0.05nH	500MHz	220mA	0.3ohm	13	500MHz	6000MHz	
LQP15MN2N0B02□	2.0nH ±0.1nH	500MHz	220mA	0.3ohm	13	500MHz	6000MHz	Kit
LQP15MN2N0W02□	2.0nH ±0.05nH	500MHz	220mA	0.3ohm	13	500MHz	6000MHz	
LQP15MN2N1W02□	2.1nH ±0.05nH	500MHz	220mA	0.3ohm	13	500MHz	6000MHz	
LQP15MN2N2B02□	2.2nH ±0.1nH	500MHz	220mA	0.3ohm	13	500MHz	6000MHz	Kit
LQP15MN2N2W02□	2.2nH ±0.05nH	500MHz	220mA	0.3ohm	13	500MHz	6000MHz	
LQP15MN2N3W02□	2.3nH ±0.05nH	500MHz	220mA	0.3ohm	13	500MHz	6000MHz	
LQP15MN2N4B02□	2.4nH ±0.1nH	500MHz	220mA	0.3ohm	13	500MHz	6000MHz	Kit
LQP15MN2N4W02□	2.4nH ±0.05nH	500MHz	220mA	0.3ohm	13	500MHz	6000MHz	
LQP15MN2N5W02□	2.5nH ±0.05nH	500MHz	220mA	0.3ohm	13	500MHz	6000MHz	
LQP15MN2N6W02□	2.6nH ±0.05nH	500MHz	220mA	0.3ohm	13	500MHz	6000MHz	
LQP15MN2N7B02□	2.7nH ±0.1nH	500MHz	220mA	0.3ohm	13	500MHz	6000MHz	Kit
LQP15MN2N7W02□	2.7nH ±0.05nH	500MHz	220mA	0.3ohm	13	500MHz	6000MHz	
LQP15MN2N8W02□	2.8nH ±0.05nH	500MHz	190mA	0.4ohm	13	500MHz	6000MHz	
LQP15MN2N9W02□	2.9nH ±0.05nH	500MHz	190mA	0.4ohm	13	500MHz	6000MHz	
LQP15MN3N0B02□	3.0nH ±0.1nH	500MHz	190mA	0.4ohm	13	500MHz	6000MHz	Kit

Operating Temperature Range (Self-temperature rise is not included): -40°C to +85°C
Only for reflow soldering.

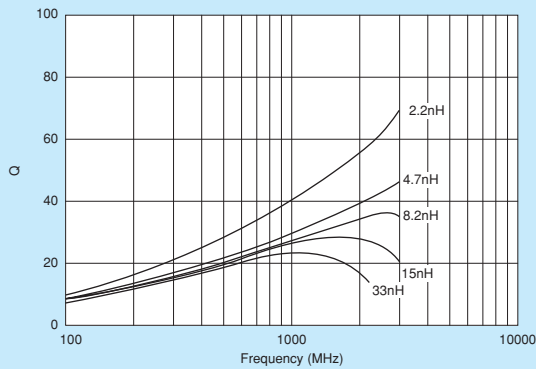
Continued on the following page. ↗

△Note • Please read rating and △CAUTION (for storage, operating, rating, soldering, mounting and handling) in this catalog to prevent smoking and/or burning, etc.
• This catalog has only typical specifications. Therefore, please approve our product specifications or transact the approval sheet for product specifications before ordering.

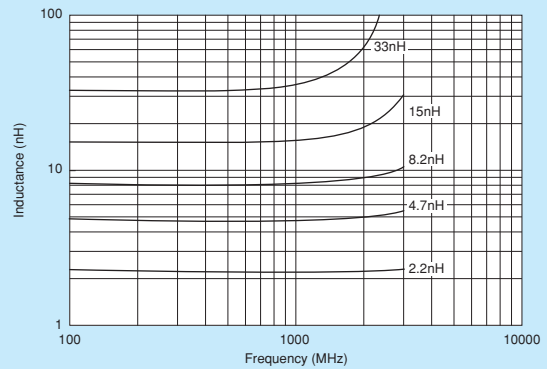
Part Number	Inductance	Test Frequency	Rated Current	Max. of DC Resistance	Q (min.)	Test Frequency	Self Resonance Frequency (min.)	
LQP15MN3N0W02□	3.0nH ±0.05nH	500MHz	190mA	0.4ohm	13	500MHz	6000MHz	
LQP15MN3N1W02□	3.1nH ±0.05nH	500MHz	190mA	0.4ohm	13	500MHz	6000MHz	
LQP15MN3N2W02□	3.2nH ±0.05nH	500MHz	190mA	0.4ohm	13	500MHz	6000MHz	
LQP15MN3N3B02□	3.3nH ±0.1nH	500MHz	190mA	0.4ohm	13	500MHz	6000MHz	Kit
LQP15MN3N3W02□	3.3nH ±0.05nH	500MHz	190mA	0.4ohm	13	500MHz	6000MHz	
LQP15MN3N4W02□	3.4nH ±0.05nH	500MHz	170mA	0.5ohm	13	500MHz	6000MHz	
LQP15MN3N5W02□	3.5nH ±0.05nH	500MHz	170mA	0.5ohm	13	500MHz	6000MHz	
LQP15MN3N6B02□	3.6nH ±0.1nH	500MHz	170mA	0.5ohm	13	500MHz	6000MHz	Kit
LQP15MN3N6W02□	3.6nH ±0.05nH	500MHz	170mA	0.5ohm	13	500MHz	6000MHz	
LQP15MN3N7W02□	3.7nH ±0.05nH	500MHz	170mA	0.5ohm	13	500MHz	6000MHz	
LQP15MN3N8W02□	3.8nH ±0.05nH	500MHz	170mA	0.5ohm	13	500MHz	6000MHz	
LQP15MN3N9B02□	3.9nH ±0.1nH	500MHz	170mA	0.5ohm	13	500MHz	6000MHz	Kit
LQP15MN3N9W02□	3.9nH ±0.05nH	500MHz	170mA	0.5ohm	13	500MHz	6000MHz	
LQP15MN4N3B02□	4.3nH ±0.1nH	500MHz	160mA	0.6ohm	13	500MHz	6000MHz	Kit
LQP15MN4N7B02□	4.7nH ±0.1nH	500MHz	160mA	0.6ohm	13	500MHz	6000MHz	Kit
LQP15MN5N1B02□	5.1nH ±0.1nH	500MHz	140mA	0.7ohm	13	500MHz	6000MHz	Kit
LQP15MN5N6B02□	5.6nH ±0.1nH	500MHz	140mA	0.7ohm	13	500MHz	6000MHz	Kit
LQP15MN6N2B02□	6.2nH ±0.1nH	500MHz	130mA	0.9ohm	13	500MHz	6000MHz	Kit
LQP15MN6N8B02□	6.8nH ±0.1nH	500MHz	130mA	0.9ohm	13	500MHz	6000MHz	Kit
LQP15MN7N5B02□	7.5nH ±0.1nH	500MHz	110mA	1.1ohm	13	500MHz	5500MHz	Kit
LQP15MN8N2B02□	8.2nH ±0.1nH	500MHz	110mA	1.1ohm	13	500MHz	5500MHz	Kit
LQP15MN9N1B02□	9.1nH ±0.1nH	500MHz	100mA	1.3ohm	13	500MHz	4500MHz	Kit
LQP15MN10NG02□	10nH ±2%	500MHz	100mA	1.3ohm	13	500MHz	4500MHz	Kit
LQP15MN12NG02□	12nH ±2%	500MHz	90mA	1.6ohm	13	500MHz	3700MHz	Kit
LQP15MN15NG02□	15nH ±2%	500MHz	90mA	1.8ohm	13	500MHz	3300MHz	Kit
LQP15MN18NG02□	18nH ±2%	500MHz	80mA	2.0ohm	13	500MHz	3100MHz	Kit
LQP15MN22NG02□	22nH ±2%	500MHz	70mA	2.6ohm	13	500MHz	2800MHz	Kit
LQP15MN27NG02□	27nH ±2%	500MHz	70mA	3.1ohm	13	500MHz	2500MHz	Kit
LQP15MN33NG02□	33nH ±2%	500MHz	60mA	3.8ohm	13	500MHz	2100MHz	Kit

Operating Temperature Range (Self-temperature rise is not included): -40°C to +85°C
Only for reflow soldering.

■ Q-Frequency Characteristics (Typ.)



■ Inductance-Frequency Characteristics (Typ.)



Continued on the following page.

△Note • Please read rating and △CAUTION (for storage, operating, rating, soldering, mounting and handling) in this catalog to prevent smoking and/or burning, etc.
• This catalog has only typical specifications. Therefore, please approve our product specifications or transact the approval sheet for product specifications before ordering.

Reference Data

4991A&16197A

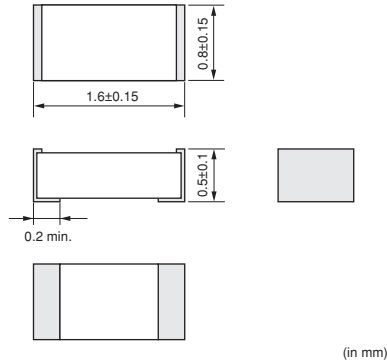
Part Number	Q (Typ.)				
	800MHz	900MHz	1.8GHz	2.0GHz	2.4GHz
LQP15MN1N0	50	55	73	76	85
LQP15MN1N1	44	47	70	76	83
LQP15MN1N2	43	47	69	76	82
LQP15MN1N3	39	43	56	60	65
LQP15MN1N4	39	41	51	54	58
LQP15MN1N5	38	40	49	51	54
LQP15MN1N6	26	28	37	39	42
LQP15MN1N7	37	40	48	49	53
LQP15MN1N8	35	37	46	49	52
LQP15MN1N9	34	36	46	49	52
LQP15MN2N0	34	36	47	50	53
LQP15MN2N1	35	37	47	49	53
LQP15MN2N2	36	38	48	51	56
LQP15MN2N3	36	38	47	49	53
LQP15MN2N4	35	37	47	49	52
LQP15MN2N5	35	37	47	49	53
LQP15MN2N6	35	37	47	49	52
LQP15MN2N7	35	37	48	49	53
LQP15MN2N8	35	37	47	49	53
LQP15MN2N9	33	35	44	46	49
LQP15MN3N0	29	31	41	44	48
LQP15MN3N1	28	29	39	42	45
LQP15MN3N2	27	28	35	36	38
LQP15MN3N3	28	29	38	39	43
LQP15MN3N4	28	29	37	39	41
LQP15MN3N5	28	29	37	38	40
LQP15MN3N6	27	28	35	39	41
LQP15MN3N7	27	28	35	38	41
LQP15MN3N8	28	29	38	39	42
LQP15MN3N9	28	29	37	38	41
LQP15MN4N3	28	30	38	40	42
LQP15MN4N7	28	29	38	39	41
LQP15MN5N1	26	28	36	38	40
LQP15MN5N6	23	25	32	33	34
LQP15MN6N2	23	25	32	33	34
LQP15MN6N8	24	26	33	34	35
LQP15MN7N5	24	25	32	33	34
LQP15MN8N2	24	25	32	33	34
LQP15MN9N1	23	25	31	32	33
LQP15MN10N	24	26	30	31	31
LQP15MN12N	25	26	29	29	28
LQP15MN15N	23	25	26	27	25
LQP15MN18N	22	23	24	-	-
LQP15MN22N	22	23	22	-	-
LQP15MN27N	22	23	21	-	-
LQP15MN33N	21	22	-	-	-

△Note • Please read rating and △CAUTION (for storage, operating, rating, soldering, mounting and handling) in this catalog to prevent smoking and/or burning, etc.
 • This catalog has only typical specifications. Therefore, please approve our product specifications or transact the approval sheet for product specifications before ordering.



0603 Size, Film Type

■ Dimensions



■ Packaging

Code	Packaging	Minimum Quantity
D	180mm Paper Tape	4000
J	330mm Paper Tape	10000
B	Bulk(Bag)	500

Refer to pages from p.186 to p.189 for mounting information.

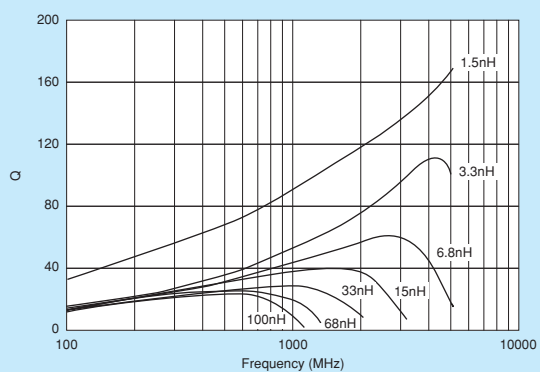
■ Rated Value (□: packaging code)

Part Number	Inductance	Test Frequency	Rated Current	Max. of DC Resistance	Q (min.)	Test Frequency	Self Resonance Frequency (min.)
LQP18MN1N3C02□	1.3nH ±0.2nH	500MHz	300mA	0.3ohm	17	500MHz	6000MHz
LQP18MN1N5C02□	1.5nH ±0.2nH	500MHz	300mA	0.3ohm	17	500MHz	6000MHz
LQP18MN1N8C02□	1.8nH ±0.2nH	500MHz	250mA	0.4ohm	17	500MHz	6000MHz
LQP18MN2N2C02□	2.2nH ±0.2nH	500MHz	250mA	0.4ohm	17	500MHz	6000MHz
LQP18MN2N7C02□	2.7nH ±0.2nH	500MHz	250mA	0.4ohm	17	500MHz	6000MHz
LQP18MN3N3C02□	3.3nH ±0.2nH	500MHz	250mA	0.4ohm	17	500MHz	6000MHz
LQP18MN3N9C02□	3.9nH ±0.2nH	500MHz	200mA	0.5ohm	17	500MHz	5900MHz
LQP18MN4N7C02□	4.7nH ±0.2nH	500MHz	200mA	0.5ohm	17	500MHz	5200MHz
LQP18MN5N6C02□	5.6nH ±0.2nH	500MHz	200mA	0.6ohm	17	500MHz	4700MHz
LQP18MN6N8C02□	6.8nH ±0.2nH	500MHz	200mA	0.7ohm	17	500MHz	4300MHz
LQP18MN8N2C02□	8.2nH ±0.2nH	500MHz	150mA	0.8ohm	17	500MHz	3600MHz
LQP18MN10NG02□	10nH ±2%	500MHz	150mA	1.0ohm	17	500MHz	3400MHz
LQP18MN12NG02□	12nH ±2%	500MHz	150mA	1.0ohm	17	500MHz	3000MHz
LQP18MN15NG02□	15nH ±2%	500MHz	150mA	1.3ohm	17	500MHz	2700MHz
LQP18MN18NG02□	18nH ±2%	500MHz	100mA	1.5ohm	17	500MHz	2300MHz
LQP18MN22NG02□	22nH ±2%	500MHz	100mA	1.9ohm	17	500MHz	2100MHz
LQP18MN27NG02□	27nH ±2%	500MHz	100mA	2.4ohm	17	500MHz	1900MHz
LQP18MN33NG02□	33nH ±2%	500MHz	100mA	2.8ohm	17	500MHz	1700MHz
LQP18MN39NG02□	39nH ±2%	500MHz	100mA	2.8ohm	17	500MHz	1400MHz
LQP18MN47NG02□	47nH ±2%	300MHz	100mA	2.2ohm	17	300MHz	1200MHz
LQP18MN56NG02□	56nH ±2%	300MHz	50mA	3.4ohm	17	300MHz	1000MHz
LQP18MN68NG02□	68nH ±2%	300MHz	50mA	3.5ohm	17	300MHz	900MHz
LQP18MN82NG02□	82nH ±2%	300MHz	50mA	4.6ohm	17	300MHz	800MHz
LQP18MNR10G02□	100nH ±2%	300MHz	50mA	6.1ohm	17	300MHz	700MHz

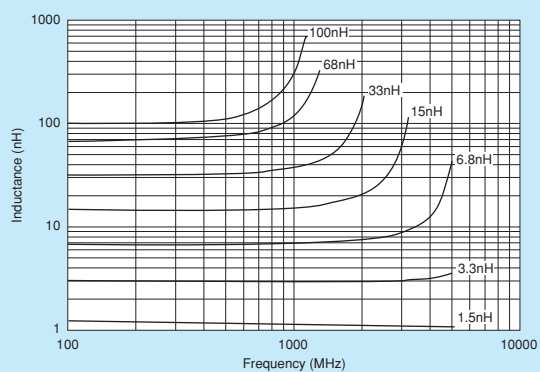
Operating Temperature Range (Self-temperature rise is not included): -40°C to +85°C
 Only for reflow soldering.

Continued on the following page.

■ Q-Frequency Characteristics (Typ.)



■ Inductance-Frequency Characteristics (Typ.)



Inductor for Power Lines (Power Inductor)

Inductor for Low Frequency Circuits

Film Non-Magnetic Type
RF Inductor

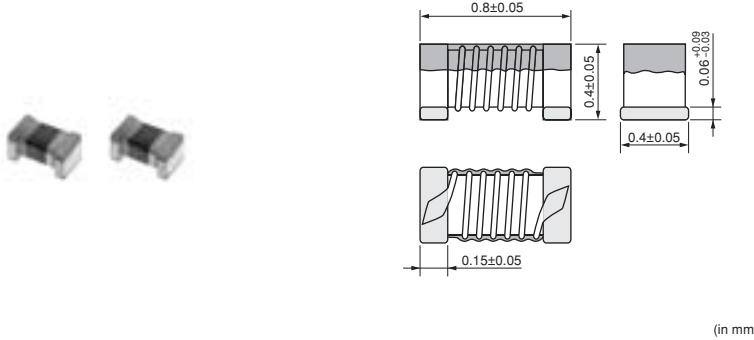
⚠Note • Please read rating and ⚠CAUTION (for storage, operating, rating, soldering, mounting and handling) in this catalog to prevent smoking and/or burning, etc.
• This catalog has only typical specifications. Therefore, please approve our product specifications or transact the approval sheet for product specifications before ordering.

LQW04A Series (03015 Size)



03015 Size, Wound Type

■ Dimensions



■ Packaging

Code	Packaging	Minimum Quantity
D	180mm Paper Tape	10000
B	Bulk(Bag)	500

Refer to pages from p.186 to p.189 for mounting information.

■ Rated Value (□: packaging code)

Part Number	Inductance	Test Frequency	Rated Current	Max. of DC Resistance	Q (min.)	Test Frequency	Self Resonance Frequency (min.)	
LQW04AN1N1C00□	1.1nH ±0.2nH	100MHz	990mA	0.03ohm	15	250MHz	20.0GHz	Kit
LQW04AN1N1D00□	1.1nH ±0.5nH	100MHz	990mA	0.03ohm	15	250MHz	20.0GHz	
LQW04AN1N8C00□	1.8nH ±0.2nH	100MHz	700mA	0.06ohm	15	250MHz	17.0GHz	Kit
LQW04AN1N8D00□	1.8nH ±0.5nH	100MHz	700mA	0.06ohm	15	250MHz	17.0GHz	
LQW04AN2N7C00□	2.7nH ±0.2nH	100MHz	570mA	0.07ohm	15	250MHz	15.0GHz	Kit
LQW04AN2N7D00□	2.7nH ±0.5nH	100MHz	570mA	0.07ohm	15	250MHz	15.0GHz	
LQW04AN3N0C00□	3.0nH ±0.2nH	100MHz	620mA	0.07ohm	15	250MHz	13.0GHz	Kit
LQW04AN3N0D00□	3.0nH ±0.5nH	100MHz	620mA	0.07ohm	15	250MHz	13.0GHz	
LQW04AN3N3C00□	3.3nH ±0.2nH	100MHz	440mA	0.14ohm	10	250MHz	10.0GHz	Kit
LQW04AN3N3D00□	3.3nH ±0.5nH	100MHz	440mA	0.14ohm	10	250MHz	10.0GHz	
LQW04AN3N6C00□	3.6nH ±0.2nH	100MHz	530mA	0.10ohm	15	250MHz	13.0GHz	Kit
LQW04AN3N6D00□	3.6nH ±0.5nH	100MHz	530mA	0.10ohm	15	250MHz	13.0GHz	
LQW04AN3N9C00□	3.9nH ±0.2nH	100MHz	530mA	0.10ohm	15	250MHz	12.0GHz	Kit
LQW04AN3N9D00□	3.9nH ±0.5nH	100MHz	530mA	0.10ohm	15	250MHz	12.0GHz	
LQW04AN4N3C00□	4.3nH ±0.2nH	100MHz	530mA	0.10ohm	15	250MHz	11.0GHz	Kit
LQW04AN4N3D00□	4.3nH ±0.5nH	100MHz	530mA	0.10ohm	15	250MHz	11.0GHz	
LQW04AN4N7C00□	4.7nH ±0.2nH	100MHz	440mA	0.14ohm	20	250MHz	10.0GHz	Kit
LQW04AN4N7D00□	4.7nH ±0.5nH	100MHz	440mA	0.14ohm	20	250MHz	10.0GHz	
LQW04AN5N1C00□	5.1nH ±0.2nH	100MHz	470mA	0.12ohm	20	250MHz	10.0GHz	Kit
LQW04AN5N1D00□	5.1nH ±0.5nH	100MHz	470mA	0.12ohm	20	250MHz	10.0GHz	
LQW04AN5N6C00□	5.6nH ±0.2nH	100MHz	470mA	0.12ohm	20	250MHz	9.0GHz	Kit
LQW04AN5N6D00□	5.6nH ±0.5nH	100MHz	470mA	0.12ohm	20	250MHz	9.0GHz	
LQW04AN6N2C00□	6.2nH ±0.2nH	100MHz	390mA	0.19ohm	20	250MHz	9.0GHz	Kit
LQW04AN6N2D00□	6.2nH ±0.5nH	100MHz	390mA	0.19ohm	20	250MHz	9.0GHz	
LQW04AN6N8C00□	6.8nH ±0.2nH	100MHz	440mA	0.14ohm	20	250MHz	9.0GHz	Kit
LQW04AN6N8D00□	6.8nH ±0.5nH	100MHz	440mA	0.14ohm	20	250MHz	9.0GHz	
LQW04AN7N5C00□	7.5nH ±0.2nH	100MHz	440mA	0.14ohm	20	250MHz	8.0GHz	Kit
LQW04AN7N5D00□	7.5nH ±0.5nH	100MHz	440mA	0.14ohm	20	250MHz	8.0GHz	
LQW04AN8N2C00□	8.2nH ±0.2nH	100MHz	350mA	0.23ohm	20	250MHz	8.0GHz	Kit
LQW04AN8N2D00□	8.2nH ±0.5nH	100MHz	350mA	0.23ohm	20	250MHz	8.0GHz	
LQW04AN9N1C00□	9.1nH ±0.2nH	100MHz	400mA	0.16ohm	20	250MHz	7.0GHz	Kit
LQW04AN9N1D00□	9.1nH ±0.5nH	100MHz	400mA	0.16ohm	20	250MHz	7.0GHz	

Operating Temperature Range (Self-temperature rise is not included): -55°C to +125°C
Only for reflow soldering.

Continued on the following page. ↗

⚠Note • Please read rating and ⚠CAUTION (for storage, operating, rating, soldering, mounting and handling) in this catalog to prevent smoking and/or burning, etc.
• This catalog has only typical specifications. Therefore, please approve our product specifications or transact the approval sheet for product specifications before ordering.

Inductor for Power Lines (Power Inductor)

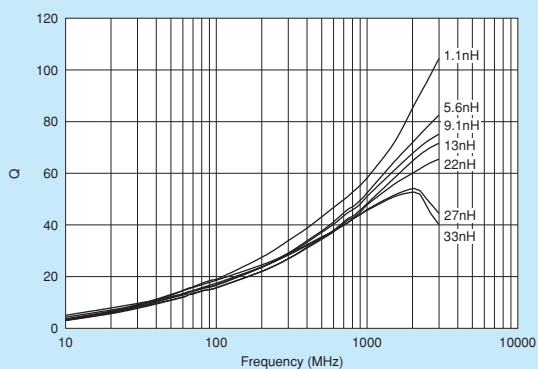
Inductor for Low Frequency Circuits

RF Inductor
Wire Wound Non-Magnetic Type (Horizontal Axis)

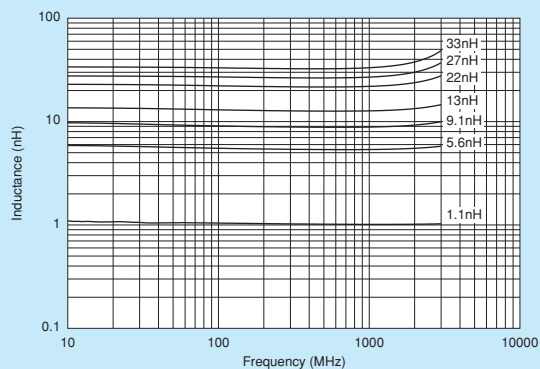
Part Number	Inductance	Test Frequency	Rated Current	Max. of DC Resistance	Q (min.)	Test Frequency	Self Resonance Frequency (min.)	
LQW04AN10NH00□	10nH ±3%	100MHz	330mA	0.26ohm	20	250MHz	7.0GHz	Kit
LQW04AN10NJ00□	10nH ±5%	100MHz	330mA	0.26ohm	20	250MHz	7.0GHz	
LQW04AN11NH00□	11nH ±3%	100MHz	310mA	0.28ohm	15	250MHz	7.0GHz	Kit
LQW04AN11NJ00□	11nH ±5%	100MHz	310mA	0.28ohm	15	250MHz	7.0GHz	
LQW04AN12NH00□	12nH ±3%	100MHz	310mA	0.28ohm	15	250MHz	6.0GHz	Kit
LQW04AN12NJ00□	12nH ±5%	100MHz	310mA	0.28ohm	15	250MHz	6.0GHz	
LQW04AN13NH00□	13nH ±3%	100MHz	280mA	0.34ohm	15	250MHz	6.0GHz	Kit
LQW04AN13NJ00□	13nH ±5%	100MHz	280mA	0.34ohm	15	250MHz	6.0GHz	
LQW04AN15NH00□	15nH ±3%	100MHz	240mA	0.48ohm	15	250MHz	5.5GHz	Kit
LQW04AN15NJ00□	15nH ±5%	100MHz	240mA	0.48ohm	15	250MHz	5.5GHz	
LQW04AN16NH00□	16nH ±3%	100MHz	270mA	0.38ohm	15	250MHz	5.5GHz	Kit
LQW04AN16NJ00□	16nH ±5%	100MHz	270mA	0.38ohm	15	250MHz	5.5GHz	
LQW04AN18NH00□	18nH ±3%	100MHz	220mA	0.54ohm	15	250MHz	5.0GHz	Kit
LQW04AN18NJ00□	18nH ±5%	100MHz	220mA	0.54ohm	15	250MHz	5.0GHz	
LQW04AN19NH00□	19nH ±3%	100MHz	160mA	0.73ohm	15	250MHz	5.0GHz	Kit
LQW04AN19NJ00□	19nH ±5%	100MHz	160mA	0.73ohm	15	250MHz	5.0GHz	
LQW04AN20NH00□	20nH ±3%	100MHz	210mA	0.56ohm	15	250MHz	5.0GHz	Kit
LQW04AN20NJ00□	20nH ±5%	100MHz	210mA	0.56ohm	15	250MHz	5.0GHz	
LQW04AN22NH00□	22nH ±3%	100MHz	200mA	0.63ohm	15	250MHz	5.0GHz	Kit
LQW04AN22NJ00□	22nH ±5%	100MHz	200mA	0.63ohm	15	250MHz	5.0GHz	
LQW04AN23NH00□	23nH ±3%	100MHz	160mA	0.95ohm	15	250MHz	4.0GHz	Kit
LQW04AN23NJ00□	23nH ±5%	100MHz	160mA	0.95ohm	15	250MHz	4.0GHz	
LQW04AN24NH00□	24nH ±3%	100MHz	160mA	0.95ohm	15	250MHz	4.0GHz	Kit
LQW04AN24NJ00□	24nH ±5%	100MHz	160mA	0.95ohm	15	250MHz	4.0GHz	
LQW04AN25NH00□	25nH ±3%	100MHz	160mA	0.95ohm	15	250MHz	4.0GHz	Kit
LQW04AN25NJ00□	25nH ±5%	100MHz	160mA	0.95ohm	15	250MHz	4.0GHz	
LQW04AN27NH00□	27nH ±3%	100MHz	160mA	0.95ohm	15	250MHz	4.0GHz	Kit
LQW04AN27NJ00□	27nH ±5%	100MHz	160mA	0.95ohm	15	250MHz	4.0GHz	
LQW04AN33NH00□	33nH ±3%	100MHz	140mA	1.11ohm	15	250MHz	4.0GHz	Kit
LQW04AN33NJ00□	33nH ±5%	100MHz	140mA	1.11ohm	15	250MHz	4.0GHz	

Operating Temperature Range (Self-temperature rise is not included): -55°C to +125°C
 Only for reflow soldering.

■ Q-Frequency Characteristics (Typ.)



■ Inductance-Frequency Characteristics (Typ.)



Continued on the following page.

△Note • Please read rating and △CAUTION (for storage, operating, rating, soldering, mounting and handling) in this catalog to prevent smoking and/or burning, etc.
 • This catalog has only typical specifications. Therefore, please approve our product specifications or transact the approval sheet for product specifications before ordering.

Reference Data

4991A&16197A

Part Number	Inductance (nH)	Q (Typ.)				
	Nominal	800MHz	900MHz	1.8GHz	2.0GHz	2.4GHz
LQW04AN1N1	1.1	61	65	79	85	92
LQW04AN1N8	1.8	48	52	75	80	88
LQW04AN2N7	2.7	46	50	70	75	85
LQW04AN3N0	3.0	47	50	70	75	85
LQW04AN3N3	3.3	40	43	62	64	69
LQW04AN3N6	3.6	46	48	69	72	78
LQW04AN3N9	3.9	46	48	69	72	79
LQW04AN4N3	4.3	47	50	69	73	79
LQW04AN4N7	4.7	43	45	63	67	72
LQW04AN5N1	5.1	47	49	69	72	80
LQW04AN5N6	5.6	47	49	69	72	79
LQW04AN6N2	6.2	42	45	63	65	70
LQW04AN6N8	6.8	45	48	66	68	74
LQW04AN7N5	7.5	45	47	66	67	70
LQW04AN8N2	8.2	43	45	61	63	67
LQW04AN9N1	9.1	45	47	65	66	68
LQW04AN10N	10	43	46	61	63	65
LQW04AN11N	11	43	46	63	65	67
LQW04AN12N	12	44	47	63	64	66
LQW04AN13N	13	44	46	62	64	66
LQW04AN15N	15	43	45	59	60	61
LQW04AN16N	16	43	47	60	61	61
LQW04AN18N	18	42	45	57	58	57
LQW04AN20N	20	42	45	57	58	55
LQW04AN22N	22	42	46	56	57	55
LQW04AN27N	27	42	44	51	50	47
LQW04AN33N	33	43	45	52	50	47

△Note • Please read rating and △CAUTION (for storage, operating, rating, soldering, mounting and handling) in this catalog to prevent smoking and/or burning, etc.
 • This catalog has only typical specifications. Therefore, please approve our product specifications or transact the approval sheet for product specifications before ordering.



0402 Size, Wound Type

■ Dimensions

W	Inductance (nH)
0.6±0.1	1.5-23
0.5±0.1	24-120

(in mm)

■ Packaging

Code	Packaging	Minimum Quantity
D	180mm Paper Tape	10000
B	Bulk(Bag)	500

Refer to pages from p.186 to p.189 for mounting information.

■ Rated Value (□: packaging code)

Part Number	Inductance	Test Frequency	Rated Current	Max. of DC Resistance	Q (min.)	Test Frequency	Self Resonance Frequency (min.)	
LQW15AN1N5B00□	1.5nH ±0.1nH	100MHz	1000mA	0.03ohm	10	250MHz	18.0GHz	Kit
LQW15AN1N5C00□	1.5nH ±0.2nH	100MHz	1000mA	0.03ohm	10	250MHz	18.0GHz	
LQW15AN1N5D00□	1.5nH ±0.5nH	100MHz	1000mA	0.03ohm	10	250MHz	18.0GHz	
LQW15AN2N4B00□	2.4nH ±0.1nH	100MHz	850mA	0.05ohm	20	250MHz	15.0GHz	Kit
LQW15AN2N4C00□	2.4nH ±0.2nH	100MHz	850mA	0.05ohm	20	250MHz	15.0GHz	
LQW15AN2N4D00□	2.4nH ±0.5nH	100MHz	850mA	0.05ohm	20	250MHz	15.0GHz	
LQW15AN2N5B00□	2.5nH ±0.1nH	100MHz	850mA	0.05ohm	20	250MHz	15.0GHz	Kit
LQW15AN2N5C00□	2.5nH ±0.2nH	100MHz	850mA	0.05ohm	20	250MHz	15.0GHz	
LQW15AN2N5D00□	2.5nH ±0.5nH	100MHz	850mA	0.05ohm	20	250MHz	15.0GHz	
LQW15AN2N7B00□	2.7nH ±0.1nH	100MHz	850mA	0.05ohm	20	250MHz	15.0GHz	Kit
LQW15AN2N7C00□	2.7nH ±0.2nH	100MHz	850mA	0.05ohm	20	250MHz	15.0GHz	
LQW15AN2N7D00□	2.7nH ±0.5nH	100MHz	850mA	0.05ohm	20	250MHz	15.0GHz	
LQW15AN2N9B00□	2.9nH ±0.1nH	100MHz	750mA	0.07ohm	20	250MHz	15.0GHz	Kit
LQW15AN2N9C00□	2.9nH ±0.2nH	100MHz	750mA	0.07ohm	20	250MHz	15.0GHz	
LQW15AN2N9D00□	2.9nH ±0.5nH	100MHz	750mA	0.07ohm	20	250MHz	15.0GHz	
LQW15AN3N9B00□	3.9nH ±0.1nH	100MHz	750mA	0.07ohm	25	250MHz	10.0GHz	Kit
LQW15AN3N9C00□	3.9nH ±0.2nH	100MHz	750mA	0.07ohm	25	250MHz	10.0GHz	
LQW15AN3N9D00□	3.9nH ±0.5nH	100MHz	750mA	0.07ohm	25	250MHz	10.0GHz	
LQW15AN4N1B00□	4.1nH ±0.1nH	100MHz	750mA	0.07ohm	25	250MHz	10.0GHz	Kit
LQW15AN4N1C00□	4.1nH ±0.2nH	100MHz	750mA	0.07ohm	25	250MHz	10.0GHz	
LQW15AN4N1D00□	4.1nH ±0.5nH	100MHz	750mA	0.07ohm	25	250MHz	10.0GHz	
LQW15AN4N3B00□	4.3nH ±0.1nH	100MHz	750mA	0.07ohm	25	250MHz	10.0GHz	Kit
LQW15AN4N3C00□	4.3nH ±0.2nH	100MHz	750mA	0.07ohm	25	250MHz	10.0GHz	
LQW15AN4N3D00□	4.3nH ±0.5nH	100MHz	750mA	0.07ohm	25	250MHz	10.0GHz	
LQW15AN4N7B00□	4.7nH ±0.1nH	100MHz	750mA	0.07ohm	25	250MHz	8.0GHz	Kit
LQW15AN4N7C00□	4.7nH ±0.2nH	100MHz	750mA	0.07ohm	25	250MHz	8.0GHz	
LQW15AN4N7D00□	4.7nH ±0.5nH	100MHz	750mA	0.07ohm	25	250MHz	8.0GHz	
LQW15AN5N1B00□	5.1nH ±0.1nH	100MHz	600mA	0.12ohm	25	250MHz	8.0GHz	Kit
LQW15AN5N1C00□	5.1nH ±0.2nH	100MHz	600mA	0.12ohm	25	250MHz	8.0GHz	
LQW15AN5N1D00□	5.1nH ±0.5nH	100MHz	600mA	0.12ohm	25	250MHz	8.0GHz	
LQW15AN5N8B00□	5.8nH ±0.1nH	100MHz	700mA	0.12ohm	25	250MHz	8.0GHz	Kit
LQW15AN5N8C00□	5.8nH ±0.2nH	100MHz	700mA	0.12ohm	25	250MHz	8.0GHz	


Operating Temperature Range (Self-temperature rise is not included): -55°C to +125°C
Only for reflow soldering.

Continued on the following page. ↗

△Note • Please read rating and △CAUTION (for storage, operating, rating, soldering, mounting and handling) in this catalog to prevent smoking and/or burning, etc.
• This catalog has only typical specifications. Therefore, please approve our product specifications or transact the approval sheet for product specifications before ordering.

Part Number	Inductance	Test Frequency	Rated Current	Max. of DC Resistance	Q (min.)	Test Frequency	Self Resonance Frequency (min.)	
LQW15AN5N8D00□	5.8nH ±0.5nH	100MHz	700mA	0.12ohm	25	250MHz	8.0GHz	
LQW15AN6N2B00□	6.2nH ±0.1nH	100MHz	700mA	0.09ohm	25	250MHz	8.0GHz	Kit
LQW15AN6N2C00□	6.2nH ±0.2nH	100MHz	700mA	0.09ohm	25	250MHz	8.0GHz	
LQW15AN6N2D00□	6.2nH ±0.5nH	100MHz	700mA	0.09ohm	25	250MHz	8.0GHz	
LQW15AN6N8G00□	6.8nH ±2%	100MHz	700mA	0.09ohm	25	250MHz	6.0GHz	Kit
LQW15AN6N8H00□	6.8nH ±3%	100MHz	700mA	0.09ohm	25	250MHz	6.0GHz	
LQW15AN6N8J00□	6.8nH ±5%	100MHz	700mA	0.09ohm	25	250MHz	6.0GHz	
LQW15AN7N3G00□	7.3nH ±2%	100MHz	570mA	0.13ohm	25	250MHz	6.0GHz	Kit
LQW15AN7N3H00□	7.3nH ±3%	100MHz	570mA	0.13ohm	25	250MHz	6.0GHz	
LQW15AN7N3J00□	7.3nH ±5%	100MHz	570mA	0.13ohm	25	250MHz	6.0GHz	
LQW15AN7N5G00□	7.5nH ±2%	100MHz	570mA	0.13ohm	25	250MHz	6.0GHz	Kit
LQW15AN7N5H00□	7.5nH ±3%	100MHz	570mA	0.13ohm	25	250MHz	6.0GHz	
LQW15AN7N5J00□	7.5nH ±5%	100MHz	570mA	0.13ohm	25	250MHz	6.0GHz	
LQW15AN8N2G00□	8.2nH ±2%	100MHz	540mA	0.14ohm	25	250MHz	5.5GHz	Kit
LQW15AN8N2H00□	8.2nH ±3%	100MHz	540mA	0.14ohm	25	250MHz	5.5GHz	
LQW15AN8N2J00□	8.2nH ±5%	100MHz	540mA	0.14ohm	25	250MHz	5.5GHz	
LQW15AN8N7G00□	8.7nH ±2%	100MHz	540mA	0.14ohm	25	250MHz	5.5GHz	Kit
LQW15AN8N7H00□	8.7nH ±3%	100MHz	540mA	0.14ohm	25	250MHz	5.5GHz	
LQW15AN8N7J00□	8.7nH ±5%	100MHz	540mA	0.14ohm	25	250MHz	5.5GHz	
LQW15AN9N1G00□	9.1nH ±2%	100MHz	540mA	0.14ohm	25	250MHz	5.5GHz	Kit
LQW15AN9N1H00□	9.1nH ±3%	100MHz	540mA	0.14ohm	25	250MHz	5.5GHz	
LQW15AN9N1J00□	9.1nH ±5%	100MHz	540mA	0.14ohm	25	250MHz	5.5GHz	
LQW15AN9N5G00□	9.5nH ±2%	100MHz	540mA	0.14ohm	25	250MHz	5.5GHz	Kit
LQW15AN9N5H00□	9.5nH ±3%	100MHz	540mA	0.14ohm	25	250MHz	5.5GHz	
LQW15AN9N5J00□	9.5nH ±5%	100MHz	540mA	0.14ohm	25	250MHz	5.5GHz	
LQW15AN10NG00□	10nH ±2%	100MHz	500mA	0.17ohm	25	250MHz	5.5GHz	Kit
LQW15AN10NH00□	10nH ±3%	100MHz	500mA	0.17ohm	25	250MHz	5.5GHz	
LQW15AN10NJ00□	10nH ±5%	100MHz	500mA	0.17ohm	25	250MHz	5.5GHz	
LQW15AN11NG00□	11nH ±2%	100MHz	500mA	0.14ohm	30	250MHz	5.5GHz	Kit
LQW15AN11NH00□	11nH ±3%	100MHz	500mA	0.14ohm	30	250MHz	5.5GHz	
LQW15AN11NJ00□	11nH ±5%	100MHz	500mA	0.14ohm	30	250MHz	5.5GHz	
LQW15AN12NG00□	12nH ±2%	100MHz	500mA	0.14ohm	30	250MHz	5.5GHz	Kit
LQW15AN12NH00□	12nH ±3%	100MHz	500mA	0.14ohm	30	250MHz	5.5GHz	
LQW15AN12NJ00□	12nH ±5%	100MHz	500mA	0.14ohm	30	250MHz	5.5GHz	
LQW15AN13NG00□	13nH ±2%	100MHz	430mA	0.21ohm	25	250MHz	5.0GHz	Kit
LQW15AN13NH00□	13nH ±3%	100MHz	430mA	0.21ohm	25	250MHz	5.0GHz	
LQW15AN13NJ00□	13nH ±5%	100MHz	430mA	0.21ohm	25	250MHz	5.0GHz	
LQW15AN15NG00□	15nH ±2%	100MHz	460mA	0.16ohm	30	250MHz	5.0GHz	Kit
LQW15AN15NH00□	15nH ±3%	100MHz	460mA	0.16ohm	30	250MHz	5.0GHz	
LQW15AN15NJ00□	15nH ±5%	100MHz	460mA	0.16ohm	30	250MHz	5.0GHz	
LQW15AN16NG00□	16nH ±2%	100MHz	370mA	0.24ohm	25	250MHz	4.5GHz	Kit
LQW15AN16NH00□	16nH ±3%	100MHz	370mA	0.24ohm	25	250MHz	4.5GHz	
LQW15AN16NJ00□	16nH ±5%	100MHz	370mA	0.24ohm	25	250MHz	4.5GHz	
LQW15AN18NG00□	18nH ±2%	100MHz	370mA	0.27ohm	25	250MHz	4.5GHz	Kit
LQW15AN18NH00□	18nH ±3%	100MHz	370mA	0.27ohm	25	250MHz	4.5GHz	
LQW15AN18NJ00□	18nH ±5%	100MHz	370mA	0.27ohm	25	250MHz	4.5GHz	
LQW15AN19NG00□	19nH ±2%	100MHz	370mA	0.27ohm	25	250MHz	4.5GHz	Kit


Operating Temperature Range (Self-temperature rise is not included): -55°C to +125°C
Only for reflow soldering.



Continued on the following page. 

△Note • Please read rating and △CAUTION (for storage, operating, rating, soldering, mounting and handling) in this catalog to prevent smoking and/or burning, etc.
• This catalog has only typical specifications. Therefore, please approve our product specifications or transact the approval sheet for product specifications before ordering.

Part Number	Inductance	Test Frequency	Rated Current	Max. of DC Resistance	Q (min.)	Test Frequency	Self Resonance Frequency (min.)	
LQW15AN19NH00□	19nH ±3%	100MHz	370mA	0.27ohm	25	250MHz	4.5GHz	
LQW15AN19NJ00□	19nH ±5%	100MHz	370mA	0.27ohm	25	250MHz	4.5GHz	
LQW15AN20NG00□	20nH ±2%	100MHz	370mA	0.27ohm	25	250MHz	4.0GHz	Kit
LQW15AN20NH00□	20nH ±3%	100MHz	370mA	0.27ohm	25	250MHz	4.0GHz	
LQW15AN20NJ00□	20nH ±5%	100MHz	370mA	0.27ohm	25	250MHz	4.0GHz	
LQW15AN22NG00□	22nH ±2%	100MHz	310mA	0.30ohm	25	250MHz	4.0GHz	Kit
LQW15AN22NH00□	22nH ±3%	100MHz	310mA	0.30ohm	25	250MHz	4.0GHz	
LQW15AN22NJ00□	22nH ±5%	100MHz	310mA	0.30ohm	25	250MHz	4.0GHz	
LQW15AN23NG00□	23nH ±2%	100MHz	310mA	0.30ohm	25	250MHz	3.8GHz	Kit
LQW15AN23NH00□	23nH ±3%	100MHz	310mA	0.30ohm	25	250MHz	3.8GHz	
LQW15AN23NJ00□	23nH ±5%	100MHz	310mA	0.30ohm	25	250MHz	3.8GHz	
LQW15AN24NG00□	24nH ±2%	100MHz	280mA	0.52ohm	25	250MHz	3.5GHz	Kit
LQW15AN24NH00□	24nH ±3%	100MHz	280mA	0.52ohm	25	250MHz	3.5GHz	
LQW15AN24NJ00□	24nH ±5%	100MHz	280mA	0.52ohm	25	250MHz	3.5GHz	
LQW15AN27NG00□	27nH ±2%	100MHz	280mA	0.52ohm	25	250MHz	3.5GHz	Kit
LQW15AN27NH00□	27nH ±3%	100MHz	280mA	0.52ohm	25	250MHz	3.5GHz	
LQW15AN27NJ00□	27nH ±5%	100MHz	280mA	0.52ohm	25	250MHz	3.5GHz	
LQW15AN30NG00□	30nH ±2%	100MHz	270mA	0.58ohm	25	250MHz	3.3GHz	Kit
LQW15AN30NH00□	30nH ±3%	100MHz	270mA	0.58ohm	25	250MHz	3.3GHz	
LQW15AN30NJ00□	30nH ±5%	100MHz	270mA	0.58ohm	25	250MHz	3.3GHz	
LQW15AN33NG00□	33nH ±2%	100MHz	260mA	0.63ohm	25	250MHz	3.2GHz	Kit
LQW15AN33NH00□	33nH ±3%	100MHz	260mA	0.63ohm	25	250MHz	3.2GHz	
LQW15AN33NJ00□	33nH ±5%	100MHz	260mA	0.63ohm	25	250MHz	3.2GHz	
LQW15AN36NG00□	36nH ±2%	100MHz	260mA	0.63ohm	25	250MHz	3.1GHz	Kit
LQW15AN36NH00□	36nH ±3%	100MHz	260mA	0.63ohm	25	250MHz	3.1GHz	
LQW15AN36NJ00□	36nH ±5%	100MHz	260mA	0.63ohm	25	250MHz	3.1GHz	
LQW15AN39NG00□	39nH ±2%	100MHz	250mA	0.70ohm	25	250MHz	3.0GHz	Kit
LQW15AN39NH00□	39nH ±3%	100MHz	250mA	0.70ohm	25	250MHz	3.0GHz	
LQW15AN39NJ00□	39nH ±5%	100MHz	250mA	0.70ohm	25	250MHz	3.0GHz	
LQW15AN40NG00□	40nH ±2%	100MHz	250mA	0.70ohm	25	250MHz	3.0GHz	Kit
LQW15AN40NH00□	40nH ±3%	100MHz	250mA	0.70ohm	25	250MHz	3.0GHz	
LQW15AN40NJ00□	40nH ±5%	100MHz	250mA	0.70ohm	25	250MHz	3.0GHz	
LQW15AN43NG00□	43nH ±2%	100MHz	250mA	0.70ohm	25	250MHz	3.0GHz	Kit
LQW15AN43NH00□	43nH ±3%	100MHz	250mA	0.70ohm	25	250MHz	3.0GHz	
LQW15AN43NJ00□	43nH ±5%	100MHz	250mA	0.70ohm	25	250MHz	3.0GHz	
LQW15AN47NG00□	47nH ±2%	100MHz	210mA	1.08ohm	25	200MHz	2.9GHz	Kit
LQW15AN47NH00□	47nH ±3%	100MHz	210mA	1.08ohm	25	200MHz	2.9GHz	
LQW15AN47NJ00□	47nH ±5%	100MHz	210mA	1.08ohm	25	200MHz	2.9GHz	
LQW15AN51NG00□	51nH ±2%	100MHz	210mA	1.08ohm	25	200MHz	2.85GHz	Kit
LQW15AN51NH00□	51nH ±3%	100MHz	210mA	1.08ohm	25	200MHz	2.85GHz	
LQW15AN51NJ00□	51nH ±5%	100MHz	210mA	1.08ohm	25	200MHz	2.85GHz	
LQW15AN56NG00□	56nH ±2%	100MHz	200mA	1.17ohm	25	200MHz	2.8GHz	Kit
LQW15AN56NH00□	56nH ±3%	100MHz	200mA	1.17ohm	25	200MHz	2.8GHz	
LQW15AN56NJ00□	56nH ±5%	100MHz	200mA	1.17ohm	25	200MHz	2.8GHz	
LQW15AN62NG00□	62nH ±2%	100MHz	145mA	1.82ohm	20	200MHz	2.6GHz	Kit
LQW15AN62NH00□	62nH ±3%	100MHz	145mA	1.82ohm	20	200MHz	2.6GHz	
LQW15AN62NJ00□	62nH ±5%	100MHz	145mA	1.82ohm	20	200MHz	2.6GHz	

Operating Temperature Range (Self-temperature rise is not included): -55°C to +125°C
Only for reflow soldering.

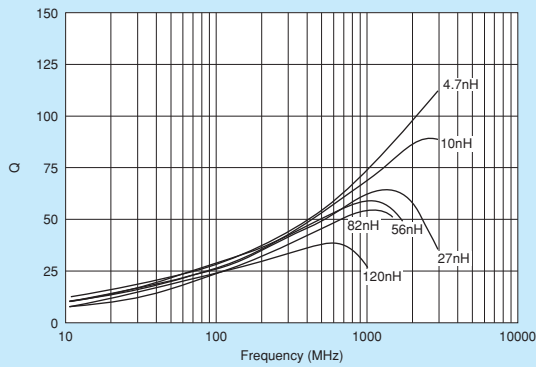
Continued on the following page. 

 Note • Please read rating and  CAUTION (for storage, operating, rating, soldering, mounting and handling) in this catalog to prevent smoking and/or burning, etc.
• This catalog has only typical specifications. Therefore, please approve our product specifications or transact the approval sheet for product specifications before ordering.

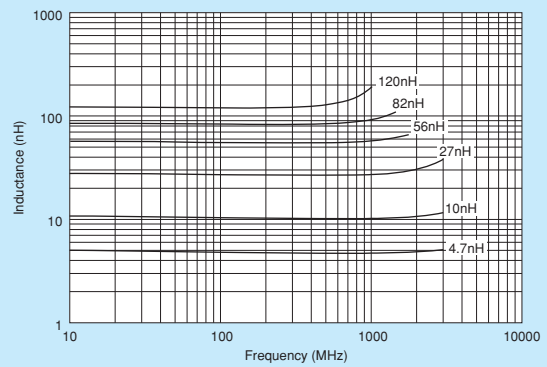
Part Number	Inductance	Test Frequency	Rated Current	Max. of DC Resistance	Q (min.)	Test Frequency	Self Resonance Frequency (min.)	
LQW15AN68NG00□	68nH ±2%	100MHz	140mA	1.96ohm	20	200MHz	2.5GHz	Kit
LQW15AN68NJ00□	68nH ±5%	100MHz	140mA	1.96ohm	20	200MHz	2.5GHz	
LQW15AN72NG00□	72nH ±2%	100MHz	135mA	2.10ohm	20	150MHz	2.5GHz	Kit
LQW15AN72NJ00□	72nH ±5%	100MHz	135mA	2.10ohm	20	150MHz	2.5GHz	
LQW15AN75NG00□	75nH ±2%	100MHz	135mA	2.10ohm	20	150MHz	2.4GHz	Kit
LQW15AN75NJ00□	75nH ±5%	100MHz	135mA	2.10ohm	20	150MHz	2.4GHz	
LQW15AN82NG00□	82nH ±2%	100MHz	130mA	2.24ohm	20	150MHz	2.3GHz	Kit
LQW15AN82NJ00□	82nH ±5%	100MHz	130mA	2.24ohm	20	150MHz	2.3GHz	
LQW15AN91NG00□	91nH ±2%	100MHz	125mA	2.38ohm	20	150MHz	2.1GHz	Kit
LQW15AN91NJ00□	91nH ±5%	100MHz	125mA	2.38ohm	20	150MHz	2.1GHz	
LQW15ANR10J00□	100nH ±5%	100MHz	120mA	2.52ohm	20	150MHz	1.5GHz	Kit
LQW15ANR12J00□	120nH ±5%	100MHz	110mA	2.66ohm	20	150MHz	1.0GHz	Kit

Operating Temperature Range (Self-temperature rise is not included): -55°C to +125°C
 Only for reflow soldering.

■ Q-Frequency Characteristics (Typ.)



■ Inductance-Frequency Characteristics (Typ.)



Continued on the following page.

△Note • Please read rating and △CAUTION (for storage, operating, rating, soldering, mounting and handling) in this catalog to prevent smoking and/or burning, etc.
 • This catalog has only typical specifications. Therefore, please approve our product specifications or transact the approval sheet for product specifications before ordering.

Inductor for Power Lines (Power Inductor)

Inductor for Low Frequency Circuits

RF Inductor
 Wire Wound Non-Magnetic Type (Horizontal Axis)

Reference Data

LQW15A_00

4991A&16197A

Part Number	Inductance (nH)	Q (Typ.)				
		Nominal	800MHz	900MHz	1.8GHz	2.0GHz
LQW15AN1N5	1.5	55	60	90	100	115
LQW15AN2N4	2.4	65	67	98	108	120
LQW15AN2N5	2.5	65	67	90	100	110
LQW15AN2N7	2.7	67	73	100	105	120
LQW15AN2N9	2.9	53	58	80	85	92
LQW15AN3N9	3.9	58	61	88	92	100
LQW15AN4N1	4.1	58	61	88	92	100
LQW15AN4N3	4.3	58	61	88	92	100
LQW15AN4N7	4.7	65	67	88	92	95
LQW15AN5N1	5.1	60	65	85	90	95
LQW15AN5N8	5.8	63	67	88	92	105
LQW15AN6N2	6.2	63	65	90	95	105
LQW15AN6N8	6.8	70	72	96	100	103
LQW15AN7N3	7.3	58	63	88	90	92
LQW15AN7N5	7.5	58	63	88	90	92
LQW15AN8N2	8.2	62	67	90	95	102
LQW15AN8N7	8.7	60	62	85	90	92
LQW15AN9N1	9.1	62	68	90	92	95
LQW15AN9N5	9.5	62	68	90	92	95
LQW15AN10N	10	60	65	82	85	84
LQW15AN11N	11	65	70	105	110	120
LQW15AN12N	12	60	62	85	90	91
LQW15AN13N	13	60	62	72	71	67
LQW15AN15N	15	60	65	85	88	90
LQW15AN16N	16	60	63	90	100	110
LQW15AN18N	18	63	65	88	87	85
LQW15AN19N	19	57	62	80	82	83
LQW15AN20N	20	57	62	80	82	83
LQW15AN22N	22	55	58	75	78	-
LQW15AN23N	23	55	58	75	78	-
LQW15AN24N	24	50	50	42	-	-
LQW15AN27N	27	55	56	58	-	-
LQW15AN30N	30	55	58	68	-	-
LQW15AN33N	33	55	56	53	-	-
LQW15AN36N	36	52	52	42	-	-
LQW15AN39N	39	55	56	-	-	-
LQW15AN40N	40	55	56	-	-	-
LQW15AN43N	43	55	56	-	-	-
LQW15AN47N	47	52	54	-	-	-
LQW15AN51N	51	52	54	-	-	-
LQW15AN56N	56	53	55	-	-	-
LQW15AN62N	62	51	52	-	-	-
LQW15AN68N	68	49	52	-	-	-
LQW15AN72N	72	49	52	-	-	-
LQW15AN75N	75	49	52	-	-	-
LQW15AN82N	82	49	50	-	-	-
LQW15AN91N	91	52	53	-	-	-
LQW15ANR10	100	43	43	-	-	-
LQW15ANR12	120	30	23	-	-	-

⚠Note • Please read rating and ⚠CAUTION (for storage, operating, rating, soldering, mounting and handling) in this catalog to prevent smoking and/or burning, etc.
 • This catalog has only typical specifications. Therefore, please approve our product specifications or transact the approval sheet for product specifications before ordering.

Inductor for Power Lines (Power Inductor)

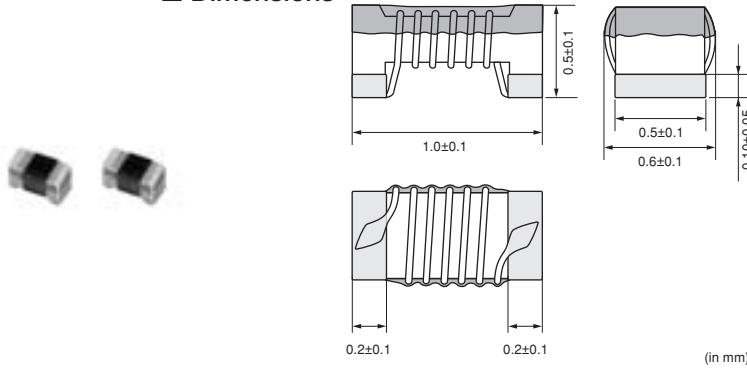
Inductor for Low Frequency Circuits

Wire Wound Non-Magnetic Type (Horizontal Axis)
RF Inductor



0402 Size, High Q Wound, Low DC Resistance Type

■ Dimensions



■ Packaging

Code	Packaging	Minimum Quantity
D	180mm Paper Tape	10000
B	Bulk(Bag)	500

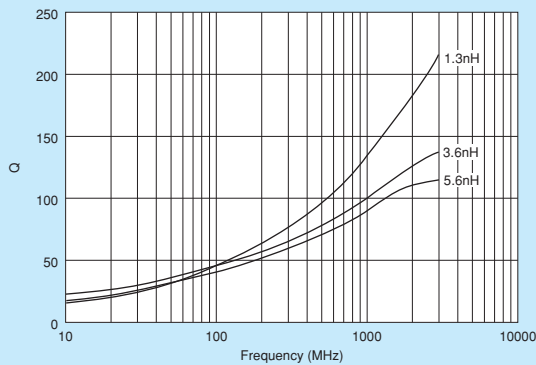
Refer to pages from p.186 to p.189 for mounting information.

■ Rated Value (□: packaging code)

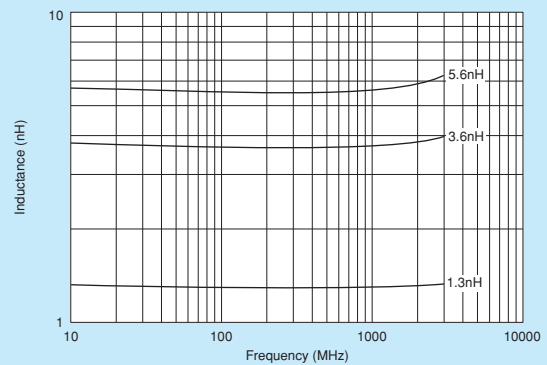
Part Number	Inductance	Test Frequency	Rated Current	Max. of DC Resistance	Q (min.)	Test Frequency	Self Resonance Frequency (min.)	
LQW15AN1N3C10□	1.3nH ±0.2nH	100MHz	1200mA	0.017ohm	20	250MHz	16.0GHz	Kit
LQW15AN1N3D10□	1.3nH ±0.5nH	100MHz	1200mA	0.017ohm	20	250MHz	16.0GHz	
LQW15AN2N2C10□	2.2nH ±0.2nH	100MHz	1000mA	0.027ohm	25	250MHz	14.0GHz	Kit
LQW15AN2N2D10□	2.2nH ±0.5nH	100MHz	1000mA	0.027ohm	25	250MHz	14.0GHz	
LQW15AN2N4D10□	2.4nH ±0.5nH	100MHz	1000mA	0.027ohm	25	250MHz	14.0GHz	Kit
LQW15AN3N3D10□	3.3nH ±0.5nH	100MHz	900mA	0.040ohm	30	250MHz	12.0GHz	Kit
LQW15AN3N4C10□	3.4nH ±0.2nH	100MHz	900mA	0.040ohm	30	250MHz	12.0GHz	Kit
LQW15AN3N4D10□	3.4nH ±0.5nH	100MHz	900mA	0.040ohm	30	250MHz	12.0GHz	
LQW15AN3N6C10□	3.6nH ±0.2nH	100MHz	900mA	0.040ohm	30	250MHz	9.5GHz	Kit
LQW15AN3N6D10□	3.6nH ±0.5nH	100MHz	900mA	0.040ohm	30	250MHz	9.5GHz	
LQW15AN3N9D10□	3.9nH ±0.5nH	100MHz	900mA	0.040ohm	30	250MHz	7.0GHz	Kit
LQW15AN4N7D10□	4.7nH ±0.5nH	100MHz	800mA	0.051ohm	30	250MHz	8.0GHz	Kit
LQW15AN5N1C10□	5.1nH ±0.2nH	100MHz	800mA	0.051ohm	30	250MHz	8.0GHz	Kit
LQW15AN5N1D10□	5.1nH ±0.5nH	100MHz	800mA	0.051ohm	30	250MHz	8.0GHz	
LQW15AN5N6C10□	5.6nH ±0.2nH	100MHz	800mA	0.051ohm	30	250MHz	8.0GHz	Kit
LQW15AN5N6D10□	5.6nH ±0.5nH	100MHz	800mA	0.051ohm	30	250MHz	8.0GHz	

Operating Temperature Range (Self-temperature rise is not included): -55°C to +125°C
Only for reflow soldering.

■ Q-Frequency Characteristics (Typ.)



■ Inductance-Frequency Characteristics (Typ.)



Continued on the following page.

△Note • Please read rating and △CAUTION (for storage, operating, rating, soldering, mounting and handling) in this catalog to prevent smoking and/or burning, etc.
• This catalog has only typical specifications. Therefore, please approve our product specifications or transact the approval sheet for product specifications before ordering.

■ Reference Data

LQW15A_10

4991A&16197A

Part Number	Inductance (nH)	Q (Typ.)				
	Nominal	800MHz	900MHz	1.8GHz	2.0GHz	2.4GHz
LQW15AN1N3	1.3	90	95	145	160	180
LQW15AN2N2	2.2	85	90	130	140	160
LQW15AN2N4	2.4	80	85	130	140	160
LQW15AN3N3	3.3	80	85	120	128	140
LQW15AN3N4	3.4	80	85	120	128	140
LQW15AN3N6	3.6	73	75	110	115	130
LQW15AN3N9	3.9	75	80	110	115	120
LQW15AN4N7	4.7	75	80	113	120	132
LQW15AN5N1	5.1	75	80	110	115	128
LQW15AN5N6	5.6	70	75	100	105	110

Inductor for Power Lines (Power Inductor)

Inductor for Low Frequency Circuits

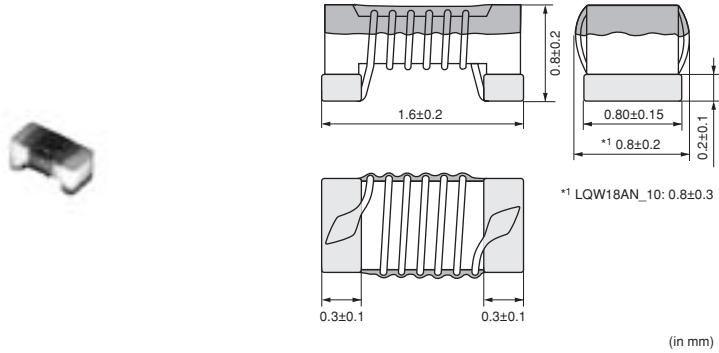
Wire Wound Non-Magnetic Type (Horizontal Axis)
RF Inductor

△Note • Please read rating and △CAUTION (for storage, operating, rating, soldering, mounting and handling) in this catalog to prevent smoking and/or burning, etc.
• This catalog has only typical specifications. Therefore, please approve our product specifications or transact the approval sheet for product specifications before ordering.



0603 Size, Wound Type

■ Dimensions



■ Packaging

Code	Packaging	Minimum Quantity
D	180mm Paper Tape	4000
J	330mm Paper Tape	10000
B	Bulk(Bag)	500

Refer to pages from p.186 to p.189 for mounting information.

■ Rated Value (□: packaging code)

Part Number	Inductance	Test Frequency	Rated Current	Max. of DC Resistance	Q (min.)	Test Frequency	Self Resonance Frequency (min.)	
LQW18AN2N2D00□	2.2nH ±0.5nH	100MHz	700mA	0.049ohm	16	250MHz	6000MHz	
LQW18AN3N6C00□	3.6nH ±0.2nH	100MHz	850mA	0.059ohm	25	250MHz	6000MHz	Kit
LQW18AN3N6D00□	3.6nH ±0.5nH	100MHz	850mA	0.059ohm	25	250MHz	6000MHz	
LQW18AN3N9C00□	3.9nH ±0.2nH	100MHz	850mA	0.059ohm	35	250MHz	6000MHz	Kit
LQW18AN3N9D00□	3.9nH ±0.5nH	100MHz	850mA	0.059ohm	35	250MHz	6000MHz	
LQW18AN4N3C00□	4.3nH ±0.2nH	100MHz	850mA	0.059ohm	35	250MHz	6000MHz	Kit
LQW18AN4N3D00□	4.3nH ±0.5nH	100MHz	850mA	0.059ohm	35	250MHz	6000MHz	
LQW18AN4N7D00□	4.7nH ±0.5nH	100MHz	850mA	0.059ohm	35	250MHz	6000MHz	
LQW18AN5N6C00□	5.6nH ±0.2nH	100MHz	750mA	0.082ohm	35	250MHz	6000MHz	Kit
LQW18AN5N6D00□	5.6nH ±0.5nH	100MHz	750mA	0.082ohm	35	250MHz	6000MHz	
LQW18AN6N2C00□	6.2nH ±0.2nH	100MHz	750mA	0.082ohm	35	250MHz	6000MHz	Kit
LQW18AN6N2D00□	6.2nH ±0.5nH	100MHz	750mA	0.082ohm	35	250MHz	6000MHz	
LQW18AN6N8C00□	6.8nH ±0.2nH	100MHz	750mA	0.082ohm	35	250MHz	6000MHz	Kit
LQW18AN6N8D00□	6.8nH ±0.5nH	100MHz	750mA	0.082ohm	35	250MHz	6000MHz	
LQW18AN7N5C00□	7.5nH ±0.2nH	100MHz	750mA	0.082ohm	35	250MHz	6000MHz	New
LQW18AN7N5D00□	7.5nH ±0.5nH	100MHz	750mA	0.082ohm	35	250MHz	6000MHz	
LQW18AN8N2C00□	8.2nH ±0.2nH	100MHz	650mA	0.11ohm	35	250MHz	6000MHz	New
LQW18AN8N2D00□	8.2nH ±0.5nH	100MHz	650mA	0.11ohm	35	250MHz	6000MHz	
LQW18AN8N7C00□	8.7nH ±0.2nH	100MHz	650mA	0.11ohm	35	250MHz	6000MHz	New
LQW18AN8N7D00□	8.7nH ±0.5nH	100MHz	650mA	0.11ohm	35	250MHz	6000MHz	
LQW18AN9N1C00□	9.1nH ±0.2nH	100MHz	650mA	0.11ohm	35	250MHz	6000MHz	New
LQW18AN9N1D00□	9.1nH ±0.5nH	100MHz	650mA	0.11ohm	35	250MHz	6000MHz	
LQW18AN9N5D00□	9.5nH ±0.5nH	100MHz	650mA	0.11ohm	35	250MHz	6000MHz	
LQW18AN10NG00□	10nH ±2%	100MHz	650mA	0.11ohm	35	250MHz	6000MHz	Kit
LQW18AN10NJ00□	10nH ±5%	100MHz	650mA	0.11ohm	35	250MHz	6000MHz	
LQW18AN11NG00□	11nH ±2%	100MHz	650mA	0.11ohm	35	250MHz	6000MHz	Kit
LQW18AN11NJ00□	11nH ±5%	100MHz	650mA	0.11ohm	35	250MHz	6000MHz	
LQW18AN12NG00□	12nH ±2%	100MHz	600mA	0.13ohm	35	250MHz	6000MHz	Kit
LQW18AN12NJ00□	12nH ±5%	100MHz	600mA	0.13ohm	35	250MHz	6000MHz	
LQW18AN13NG00□	13nH ±2%	100MHz	600mA	0.13ohm	35	250MHz	6000MHz	Kit
LQW18AN13NJ00□	13nH ±5%	100MHz	600mA	0.13ohm	35	250MHz	6000MHz	
LQW18AN15NG00□	15nH ±2%	100MHz	600mA	0.13ohm	40	250MHz	6000MHz	Kit


Operating Temperature Range (Self-temperature rise is not included): -55°C to +125°C
Only for reflow soldering.



Continued on the following page. ↗

⚠Note • Please read rating and ⚠CAUTION (for storage, operating, rating, soldering, mounting and handling) in this catalog to prevent smoking and/or burning, etc.
• This catalog has only typical specifications. Therefore, please approve our product specifications or transact the approval sheet for product specifications before ordering.

Part Number	Inductance	Test Frequency	Rated Current	Max. of DC Resistance	Q (min.)	Test Frequency	Self Resonance Frequency (min.)	
LQW18AN15NJ00□	15nH ±5%	100MHz	600mA	0.13ohm	40	250MHz	6000MHz	
LQW18AN16NG00□	16nH ±2%	100MHz	550mA	0.16ohm	40	250MHz	5500MHz	Kit
LQW18AN16NJ00□	16nH ±5%	100MHz	550mA	0.16ohm	40	250MHz	5500MHz	
LQW18AN18NG00□	18nH ±2%	100MHz	550mA	0.16ohm	40	250MHz	5500MHz	Kit
LQW18AN18NJ00□	18nH ±5%	100MHz	550mA	0.16ohm	40	250MHz	5500MHz	
LQW18AN20NG00□	20nH ±2%	100MHz	550mA	0.16ohm	40	250MHz	4900MHz	Kit
LQW18AN20NJ00□	20nH ±5%	100MHz	550mA	0.16ohm	40	250MHz	4900MHz	
LQW18AN22NG00□	22nH ±2%	100MHz	500mA	0.17ohm	40	250MHz	4600MHz	Kit
LQW18AN22NJ00□	22nH ±5%	100MHz	500mA	0.17ohm	40	250MHz	4600MHz	
LQW18AN24NG00□	24nH ±2%	100MHz	500mA	0.21ohm	40	250MHz	3800MHz	Kit
LQW18AN24NJ00□	24nH ±5%	100MHz	500mA	0.21ohm	40	250MHz	3800MHz	
LQW18AN27NG00□	27nH ±2%	100MHz	440mA	0.21ohm	40	250MHz	3700MHz	Kit
LQW18AN27NJ00□	27nH ±5%	100MHz	440mA	0.21ohm	40	250MHz	3700MHz	
LQW18AN30NG00□	30nH ±2%	100MHz	420mA	0.23ohm	40	250MHz	3300MHz	Kit
LQW18AN30NJ00□	30nH ±5%	100MHz	420mA	0.23ohm	40	250MHz	3300MHz	
LQW18AN33NG00□	33nH ±2%	100MHz	420mA	0.23ohm	40	250MHz	3200MHz	Kit
LQW18AN33NJ00□	33nH ±5%	100MHz	420mA	0.23ohm	40	250MHz	3200MHz	
LQW18AN36NG00□	36nH ±2%	100MHz	400mA	0.26ohm	40	250MHz	2900MHz	Kit
LQW18AN36NJ00□	36nH ±5%	100MHz	400mA	0.26ohm	40	250MHz	2900MHz	
LQW18AN39NG00□	39nH ±2%	100MHz	400mA	0.26ohm	40	250MHz	2800MHz	Kit
LQW18AN39NJ00□	39nH ±5%	100MHz	400mA	0.26ohm	40	250MHz	2800MHz	
LQW18AN43NG00□	43nH ±2%	100MHz	380mA	0.29ohm	40	200MHz	2700MHz	Kit
LQW18AN43NJ00□	43nH ±5%	100MHz	380mA	0.29ohm	40	200MHz	2700MHz	
LQW18AN47NG00□	47nH ±2%	100MHz	380mA	0.29ohm	38	200MHz	2600MHz	Kit
LQW18AN47NJ00□	47nH ±5%	100MHz	380mA	0.29ohm	38	200MHz	2600MHz	
LQW18AN51NG00□	51nH ±2%	100MHz	370mA	0.33ohm	38	200MHz	2500MHz	Kit
LQW18AN51NJ00□	51nH ±5%	100MHz	370mA	0.33ohm	38	200MHz	2500MHz	
LQW18AN56NG00□	56nH ±2%	100MHz	360mA	0.35ohm	38	200MHz	2400MHz	Kit
LQW18AN56NJ00□	56nH ±5%	100MHz	360mA	0.35ohm	38	200MHz	2400MHz	
LQW18AN62NG00□	62nH ±2%	100MHz	280mA	0.51ohm	38	200MHz	2300MHz	Kit
LQW18AN62NJ00□	62nH ±5%	100MHz	280mA	0.51ohm	38	200MHz	2300MHz	
LQW18AN68NG00□	68nH ±2%	100MHz	340mA	0.38ohm	38	200MHz	2200MHz	Kit
LQW18AN68NJ00□	68nH ±5%	100MHz	340mA	0.38ohm	38	200MHz	2200MHz	
LQW18AN72NG00□	72nH ±2%	100MHz	270mA	0.56ohm	34	150MHz	2100MHz	Kit
LQW18AN72NJ00□	72nH ±5%	100MHz	270mA	0.56ohm	34	150MHz	2100MHz	
LQW18AN75NG00□	75nH ±2%	100MHz	270mA	0.56ohm	34	150MHz	2050MHz	Kit
LQW18AN75NJ00□	75nH ±5%	100MHz	270mA	0.56ohm	34	150MHz	2050MHz	
LQW18AN82NG00□	82nH ±2%	100MHz	250mA	0.60ohm	34	150MHz	2000MHz	Kit
LQW18AN82NJ00□	82nH ±5%	100MHz	250mA	0.60ohm	34	150MHz	2000MHz	
LQW18AN91NG00□	91nH ±2%	100MHz	230mA	0.64ohm	34	150MHz	1900MHz	Kit
LQW18AN91NJ00□	91nH ±5%	100MHz	230mA	0.64ohm	34	150MHz	1900MHz	
LQW18ANR10G00□	100nH ±2%	100MHz	220mA	0.68ohm	34	150MHz	1800MHz	Kit
LQW18ANR10J00□	100nH ±5%	100MHz	220mA	0.68ohm	34	150MHz	1800MHz	
LQW18ANR11G00□	110nH ±2%	100MHz	200mA	1.2ohm	32	150MHz	1700MHz	Kit
LQW18ANR11J00□	110nH ±5%	100MHz	200mA	1.2ohm	32	150MHz	1700MHz	
LQW18ANR12G00□	120nH ±2%	100MHz	180mA	1.3ohm	32	150MHz	1600MHz	Kit
LQW18ANR12J00□	120nH ±5%	100MHz	180mA	1.3ohm	32	150MHz	1600MHz	

Operating Temperature Range (Self-temperature rise is not included): -55°C to +125°C
Only for reflow soldering.

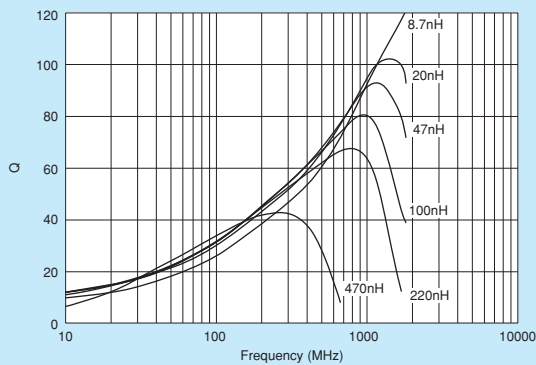
Continued on the following page. 

 Note • Please read rating and  CAUTION (for storage, operating, rating, soldering, mounting and handling) in this catalog to prevent smoking and/or burning, etc.
• This catalog has only typical specifications. Therefore, please approve our product specifications or transact the approval sheet for product specifications before ordering.

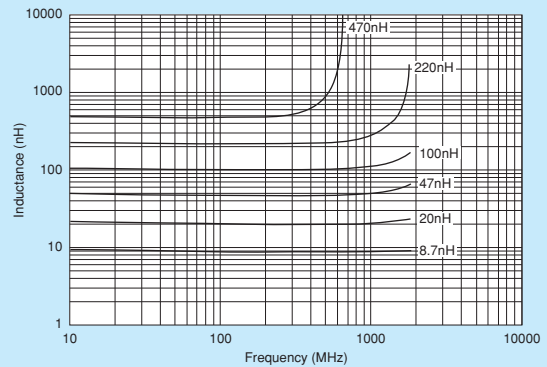
Part Number	Inductance	Test Frequency	Rated Current	Max. of DC Resistance	Q (min.)	Test Frequency	Self Resonance Frequency (min.)	
LQW18ANR13G00□	130nH ±2%	100MHz	170mA	1.4ohm	32	150MHz	1450MHz	Kit
LQW18ANR13J00□	130nH ±5%	100MHz	170mA	1.4ohm	32	150MHz	1450MHz	
LQW18ANR15G00□	150nH ±2%	100MHz	160mA	1.5ohm	32	150MHz	1400MHz	Kit
LQW18ANR15J00□	150nH ±5%	100MHz	160mA	1.5ohm	32	150MHz	1400MHz	
LQW18ANR16G00□	160nH ±2%	100MHz	150mA	2.1ohm	32	150MHz	1350MHz	Kit
LQW18ANR16J00□	160nH ±5%	100MHz	150mA	2.1ohm	32	150MHz	1350MHz	
LQW18ANR18G00□	180nH ±2%	100MHz	140mA	2.2ohm	25	100MHz	1300MHz	Kit
LQW18ANR18J00□	180nH ±5%	100MHz	140mA	2.2ohm	25	100MHz	1300MHz	
LQW18ANR20G00□	200nH ±2%	100MHz	120mA	2.4ohm	25	100MHz	1250MHz	Kit
LQW18ANR20J00□	200nH ±5%	100MHz	120mA	2.4ohm	25	100MHz	1250MHz	
LQW18ANR22G00□	220nH ±2%	100MHz	120mA	2.5ohm	25	100MHz	1200MHz	Kit
LQW18ANR22J00□	220nH ±5%	100MHz	120mA	2.5ohm	25	100MHz	1200MHz	
LQW18ANR27G00□	270nH ±2%	100MHz	110mA	3.4ohm	30	100MHz	960MHz	Kit
LQW18ANR27J00□	270nH ±5%	100MHz	110mA	3.4ohm	30	100MHz	960MHz	
LQW18ANR33G00□	330nH ±2%	100MHz	85mA	5.5ohm	30	100MHz	800MHz	Kit
LQW18ANR33J00□	330nH ±5%	100MHz	85mA	5.5ohm	30	100MHz	800MHz	
LQW18ANR39G00□	390nH ±2%	100MHz	80mA	6.2ohm	30	100MHz	800MHz	Kit
LQW18ANR39J00□	390nH ±5%	100MHz	80mA	6.2ohm	30	100MHz	800MHz	
LQW18ANR47G00□	470nH ±2%	100MHz	75mA	7.0ohm	30	100MHz	700MHz	Kit
LQW18ANR47J00□	470nH ±5%	100MHz	75mA	7.0ohm	30	100MHz	700MHz	

Operating Temperature Range (Self-temperature rise is not included): -55°C to +125°C
Only for reflow soldering.

■ Q-Frequency Characteristics (Typ.)



■ Inductance-Frequency Characteristics (Typ.)



Continued on the following page.

△Note • Please read rating and △CAUTION (for storage, operating, rating, soldering, mounting and handling) in this catalog to prevent smoking and/or burning, etc.
• This catalog has only typical specifications. Therefore, please approve our product specifications or transact the approval sheet for product specifications before ordering.

Reference Data

LQW18A_00

4991A&16197A

Part Number	Inductance (nH)			Q (Typ.)		
	Nominal	800MHz	900MHz	1.8GHz	2.0GHz	2.4GHz
LQW18AN2N2□00	2.2	74	77	113	124	134
LQW18AN3N6□00	3.6	60	63	92	94	103
LQW18AN3N9□00	3.9	65	68	97	99	109
LQW18AN4N3□00	4.3	71	74	105	107	118
LQW18AN4N7□00	4.7	72	75	108	120	130
LQW18AN5N6□00	5.6	67	70	100	103	113
LQW18AN6N2□00	6.2	70	73	105	107	118
LQW18AN6N8□00	6.8	78	82	115	117	127
LQW18AN7N5□00	7.5	85	86	117	132	140
LQW18AN8N2□00	8.2	73	78	112	116	130
LQW18AN8N7□00	8.7	80	82	115	132	143
LQW18AN9N1□00	9.1	86	88	124	142	155
LQW18AN9N5□00	9.5	79	84	119	119	132
LQW18AN10N□00	10	75	78	103	102	105
LQW18AN11N□00	11	82	85	110	108	110
LQW18AN12N□00	12	80	84	114	114	120
LQW18AN13N□00	13	79	82	108	105	107
LQW18AN15N□00	15	81	84	102	97	92
LQW18AN16N□00	16	86	90	119	116	119
LQW18AN18N□00	18	82	85	101	96	89
LQW18AN20N□00	20	81	83	95	90	78
LQW18AN22N□00	22	84	88	104	101	95
LQW18AN24N□00	24	80	82	92	86	75
LQW18AN27N□00	27	79	81	80	72	57
LQW18AN30N□00	30	81	82	84	75	59
LQW18AN33N□00	33	78	79	71	60	43
LQW18AN36N□00	36	79	81	73	62	44
LQW18AN39N□00	39	78	78	66	55	37
LQW18AN43N□00	43	79	81	73	61	43
LQW18AN47N□00	47	75	74	55	42	24
LQW18AN51N□00	51	77	78	60	46	26
LQW18AN56N□00	56	80	82	66	51	31
LQW18AN62N□00	62	71	71	40	26	7
LQW18AN68N□00	68	75	77	46	31	11
LQW18AN72N□00	72	69	69	37	23	4
LQW18AN75N□00	75	68	66	32	18	-
LQW18AN82N□00	82	66	64	26	12	-
LQW18AN91N□00	91	66	65	22	8	-
LQW18ANR10□00	100	68	67	24	9	-
LQW18ANR11□00	110	65	63	15	1	-
LQW18ANR12□00	120	64	62	11	-	-
LQW18ANR13□00	130	62	59	7	-	-
LQW18ANR15□00	150	60	57	3	-	-
LQW18ANR16□00	160	59	54	-	-	-
LQW18ANR18□00	180	60	55	-	-	-
LQW18ANR20□00	200	57	54	-	-	-
LQW18ANR22□00	220	54	47	-	-	-
LQW18ANR27□00	270	52	46	-	-	-
LQW18ANR33□00	330	47	35	-	-	-
LQW18ANR39□00	390	33	23	-	-	-
LQW18ANR47□00	470	22	13	-	-	-

△Note • Please read rating and △CAUTION (for storage, operating, rating, soldering, mounting and handling) in this catalog to prevent smoking and/or burning, etc.
 • This catalog has only typical specifications. Therefore, please approve our product specifications or transact the approval sheet for product specifications before ordering.

Inductor for Power Lines (Power Inductor)

Inductor for Low Frequency Circuits

Wire Wound Non-Magnetic Type (Horizontal Axis)
RF Inductor

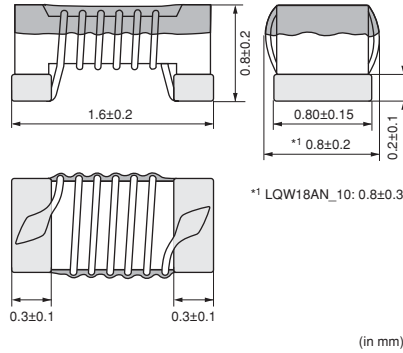
LQW18A_10 Series (0603 Size)

LQW18A_10



0603 Size, High Q Wound, Low DC Resistance Type

■ Dimensions



■ Packaging

Code	Packaging	Minimum Quantity
D	180mm Paper Tape	4000
J	330mm Paper Tape	10000
B	Bulk (Bag)	500

Refer to pages from p.186 to p.189 for mounting information.

■ Rated Value (□: packaging code)

Part Number	Inductance	Test Frequency	Rated Current	Max. of DC Resistance	Q (min.)	Test Frequency	Self Resonance Frequency (min.)	
LQW18AN2N2D10□	2.2nH ±0.5nH	100MHz	1400mA	0.018ohm	25	250MHz	18000MHz	
LQW18AN3N9C10□	3.9nH ±0.2nH	100MHz	1000mA	0.032ohm	38	250MHz	11000MHz	Kit
LQW18AN3N9D10□	3.9nH ±0.5nH	100MHz	1000mA	0.032ohm	38	250MHz	11000MHz	
LQW18AN5N6D10□	5.6nH ±0.5nH	100MHz	900mA	0.045ohm	38	250MHz	10000MHz	
LQW18AN6N8C10□	6.8nH ±0.2nH	100MHz	900mA	0.045ohm	38	250MHz	7000MHz	Kit
LQW18AN6N8D10□	6.8nH ±0.5nH	100MHz	900mA	0.045ohm	38	250MHz	7000MHz	
LQW18AN8N2D10□	8.2nH ±0.5nH	100MHz	800mA	0.058ohm	38	250MHz	7000MHz	
LQW18AN10NG10□	10nH ±2%	100MHz	800mA	0.058ohm	38	250MHz	5000MHz	Kit
LQW18AN10NJ10□	10nH ±5%	100MHz	800mA	0.058ohm	38	250MHz	5000MHz	
LQW18AN12NG10□	12nH ±2%	100MHz	750mA	0.071ohm	38	250MHz	5000MHz	Kit
LQW18AN12NJ10□	12nH ±5%	100MHz	750mA	0.071ohm	38	250MHz	5000MHz	
LQW18AN15NJ10□	15nH ±5%	100MHz	700mA	0.085ohm	42	250MHz	4500MHz	
LQW18AN18NG10□	18nH ±2%	100MHz	700mA	0.085ohm	42	250MHz	3500MHz	Kit
LQW18AN18NJ10□	18nH ±5%	100MHz	700mA	0.085ohm	42	250MHz	3500MHz	
LQW18AN22NG10□	22nH ±2%	100MHz	640mA	0.099ohm	42	250MHz	3200MHz	Kit
LQW18AN22NJ10□	22nH ±5%	100MHz	640mA	0.099ohm	42	250MHz	3200MHz	
LQW18AN27NG10□	27nH ±2%	100MHz	590mA	0.116ohm	42	250MHz	2800MHz	Kit
LQW18AN27NJ10□	27nH ±5%	100MHz	590mA	0.116ohm	42	250MHz	2800MHz	
LQW18AN33NJ10□	33nH ±5%	100MHz	550mA	0.132ohm	42	250MHz	2500MHz	

Operating Temperature Range (Self-temperature rise is not included): -55°C to +125°C
Only for reflow soldering.

Continued on the following page.

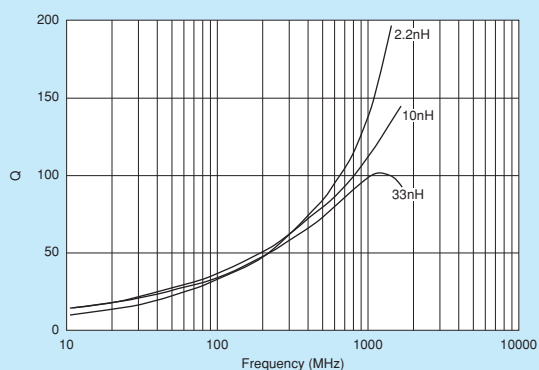
[△]Note • Please read rating and [△]CAUTION (for storage, operating, rating, soldering, mounting and handling) in this catalog to prevent smoking and/or burning, etc.
• This catalog has only typical specifications. Therefore, please approve our product specifications or transact the approval sheet for product specifications before ordering.

Inductor for Power Lines (Power Inductor)

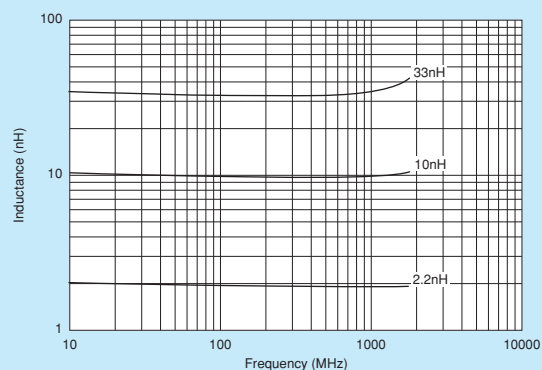
Inductor for Low Frequency Circuits

RF Inductor
Wire Wound Non-Magnetic Type (Horizontal Axis)

■ Q-Frequency Characteristics (Typ.)



■ Inductance-Frequency Characteristics (Typ.)



■ Reference Data

LQW18A_10

4991A&16197A

Part Number	Inductance (nH)	Q (Typ.)				
	Nominal	800MHz	900MHz	1.8GHz	2.0GHz	2.4GHz
LQW18AN2N2□10	2.2	72	75	114	125	134
LQW18AN3N9□10	3.9	75	81	117	120	130
LQW18AN5N6□10	5.6	73	76	109	124	136
LQW18AN6N8□10	6.8	85	91	124	124	131
LQW18AN8N2□10	8.2	86	89	130	152	171
LQW18AN10N□10	10	84	89	117	115	119
LQW18AN12N□10	12	88	95	125	123	128
LQW18AN15N□10	15	81	85	125	149	169
LQW18AN18N□10	18	90	96	112	106	101
LQW18AN22N□10	22	88	93	97	90	80
LQW18AN27N□10	27	83	88	85	77	63
LQW18AN33N□10	33	94	93	107	121	121

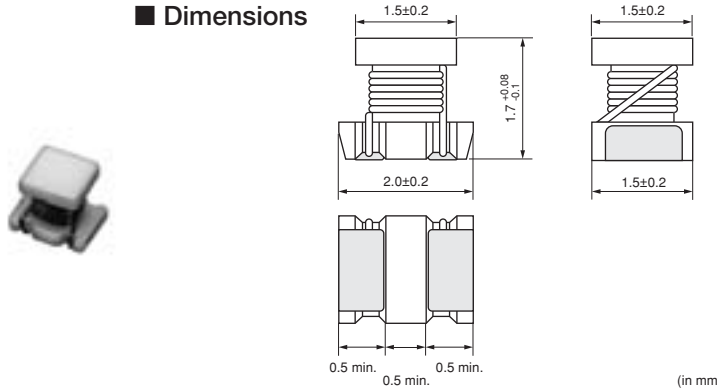
△Note • Please read rating and △CAUTION (for storage, operating, rating, soldering, mounting and handling) in this catalog to prevent smoking and/or burning, etc.
• This catalog has only typical specifications. Therefore, please approve our product specifications or transact the approval sheet for product specifications before ordering.

LQW2BH_03 Series (0805 Size)



0805 Size, Vertical Wound Type

■ Dimensions



■ Packaging

Code	Packaging	Minimum Quantity
L	180mm Embossed Tape	2000
K	330mm Embossed Tape	7500

Refer to pages from p.186 to p.189 for mounting information.

■ Rated Value (□: packaging code)

Part Number	Inductance	Test Frequency	Rated Current	Max. of DC Resistance	Q (min.)	Test Frequency	Self Resonance Frequency (min.)	
LQW2BHN3N3D03□	3.3nH ±0.5nH	100MHz	910mA	0.05ohm	10	250MHz	6000MHz	
LQW2BHN6N8D03□	6.8nH ±0.5nH	100MHz	680mA	0.11ohm	20	250MHz	5400MHz	
LQW2BHN8N2D03□	8.2nH ±0.5nH	100MHz	630mA	0.12ohm	20	250MHz	3900MHz	
LQW2BHN10NJ03□	10nH ±5%	100MHz	1320mA	0.03ohm	30	250MHz	3300MHz	
LQW2BHN12NJ03□	12nH ±5%	100MHz	680mA	0.11ohm	30	250MHz	3200MHz	
LQW2BHN15NJ03□	15nH ±5%	100MHz	630mA	0.12ohm	30	250MHz	2700MHz	
LQW2BHN18NJ03□	18nH ±5%	100MHz	690mA	0.10ohm	30	250MHz	2600MHz	
LQW2BHN22NJ03□	22nH ±5%	100MHz	720mA	0.09ohm	30	250MHz	2100MHz	
LQW2BHN27NJ03□	27nH ±5%	100MHz	540mA	0.17ohm	40	250MHz	2300MHz	
LQW2BHN33NG03□	33nH ±2%	100MHz	570mA	0.15ohm	40	250MHz	1900MHz	Kit
LQW2BHN33NJ03□	33nH ±5%	100MHz	570mA	0.15ohm	40	250MHz	1900MHz	
LQW2BHN39NG03□	39nH ±2%	100MHz	730mA	0.09ohm	40	250MHz	1700MHz	Kit
LQW2BHN39NJ03□	39nH ±5%	100MHz	730mA	0.09ohm	40	250MHz	1700MHz	
LQW2BHN47NG03□	47nH ±2%	100MHz	450mA	0.23ohm	40	200MHz	1600MHz	Kit
LQW2BHN47NJ03□	47nH ±5%	100MHz	450mA	0.23ohm	40	200MHz	1600MHz	
LQW2BHN56NG03□	56nH ±2%	100MHz	430mA	0.26ohm	40	200MHz	1500MHz	Kit
LQW2BHN56NJ03□	56nH ±5%	100MHz	430mA	0.26ohm	40	200MHz	1500MHz	
LQW2BHN68NG03□	68nH ±2%	100MHz	460mA	0.23ohm	40	200MHz	1200MHz	Kit
LQW2BHN68NJ03□	68nH ±5%	100MHz	460mA	0.23ohm	40	200MHz	1200MHz	
LQW2BHN82NG03□	82nH ±2%	100MHz	320mA	0.42ohm	40	150MHz	1100MHz	Kit
LQW2BHN82NJ03□	82nH ±5%	100MHz	320mA	0.42ohm	40	150MHz	1100MHz	
LQW2BHNR10G03□	100nH ±2%	100MHz	270mA	0.55ohm	35	150MHz	900MHz	Kit
LQW2BHNR10J03□	100nH ±5%	100MHz	350mA	0.38ohm	40	150MHz	900MHz	
LQW2BHNR12G03□	120nH ±2%	100MHz	320mA	0.40ohm	40	150MHz	750MHz	Kit
LQW2BHNR12J03□	120nH ±5%	100MHz	320mA	0.40ohm	40	150MHz	750MHz	
LQW2BHNR15G03□	150nH ±2%	100MHz	260mA	0.68ohm	30	150MHz	350MHz	Kit
LQW2BHNR15J03□	150nH ±5%	100MHz	390mA	0.47ohm	30	150MHz	350MHz	
LQW2BHNR18G03□	180nH ±2%	100MHz	250mA	0.71ohm	35	100MHz	700MHz	Kit
LQW2BHNR18J03□	180nH ±5%	100MHz	250mA	0.71ohm	35	100MHz	700MHz	
LQW2BHNR22G03□	220nH ±2%	100MHz	240mA	0.70ohm	35	100MHz	500MHz	Kit
LQW2BHNR22J03□	220nH ±5%	100MHz	240mA	0.70ohm	35	100MHz	500MHz	
LQW2BHNR27J03□	270nH ±5%	10MHz	190mA	2.00ohm	15	25.2MHz	550MHz	
LQW2BHNR27K03□	270nH ±10%	10MHz	190mA	2.00ohm	15	25.2MHz	550MHz	Kit

Operating Temperature Range (Self-temperature rise is not included): -40°C to +85°C

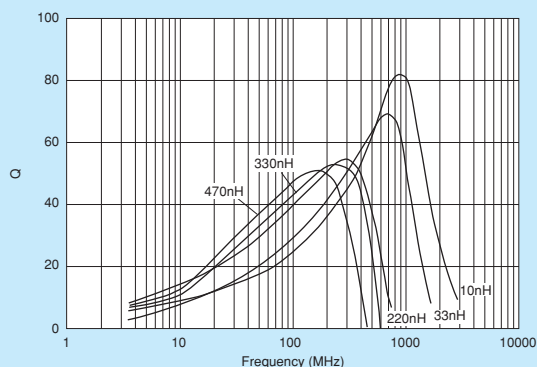
Continued on the following page.

△Note • Please read rating and △CAUTION (for storage, operating, rating, soldering, mounting and handling) in this catalog to prevent smoking and/or burning, etc.
• This catalog has only typical specifications. Therefore, please approve our product specifications or transact the approval sheet for product specifications before ordering.

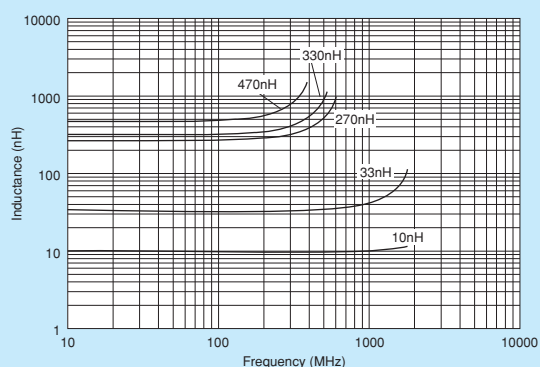
Part Number	Inductance	Test Frequency	Rated Current	Max. of DC Resistance	Q (min.)	Test Frequency	Self Resonance Frequency (min.)	
LQW2BHNR33J03□	330nH ±5%	10MHz	180mA	2.20ohm	15	25.2MHz	500MHz	
LQW2BHNR33K03□	330nH ±10%	10MHz	180mA	2.20ohm	15	25.2MHz	500MHz	Kit
LQW2BHNR39J03□	390nH ±5%	10MHz	170mA	2.50ohm	15	25.2MHz	400MHz	
LQW2BHNR39K03□	390nH ±10%	10MHz	170mA	2.50ohm	15	25.2MHz	400MHz	Kit
LQW2BHNR47J03□	470nH ±5%	10MHz	160mA	2.80ohm	15	25.2MHz	350MHz	
LQW2BHNR47K03□	470nH ±10%	10MHz	160mA	2.80ohm	15	25.2MHz	350MHz	Kit

Operating Temperature Range (Self-temperature rise is not included): -40°C to +85°C

■ Q-Frequency Characteristics (Typ.)



■ Inductance-Frequency Characteristics (Typ.)



■ Reference Data

LQW2BH_03

4991A&16197A

Part Number	Inductance (nH)		Q (Typ.)			
	100MHz	800MHz	900MHz	1.8GHz	2.0GHz	2.4GHz
LQW2BHN3N3□03	3.3	55	58	85	88	98
LQW2BHN6N8□03	6.8	51	55	77	78	80
LQW2BHN8N2□03	8.2	60	64	88	88	88
LQW2BHN10N□03	10	81	86	114	110	100
LQW2BHN12N□03	12	77	81	88	83	77
LQW2BHN15N□03	15	76	80	75	66	50
LQW2BHN18N□03	18	81	83	70	58	39
LQW2BHN22N□03	22	85	87	47	31	8
LQW2BHN27N□03	27	77	79	43	28	6
LQW2BHN33N□03	33	76	77	15	1	-
LQW2BHN39N□03	39	83	76	-	-	-
LQW2BHN47N□03	47	70	64	-	-	-
LQW2BHN56N□03	56	73	67	-	-	-
LQW2BHN68N□03	68	62	51	-	-	-
LQW2BHN82N□03	82	64	56	-	-	-
LQW2BHNR10□03	100	50	37	-	-	-
LQW2BHNR12□03	120	31	15	-	-	-
LQW2BHNR15□03	150	21	4	-	-	-
LQW2BHNR18□03	180	1	-	-	-	-
LQW2BHNR22□03	220	-	-	-	-	-
LQW2BHNR27□03	270	-	-	-	-	-
LQW2BHNR33□03	330	-	-	-	-	-
LQW2BHNR39□03	390	-	-	-	-	-
LQW2BHNR47□03	470	-	-	-	-	-

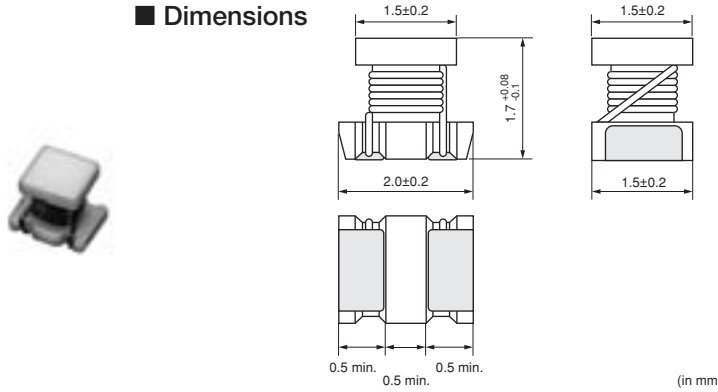
△Note • Please read rating and △CAUTION (for storage, operating, rating, soldering, mounting and handling) in this catalog to prevent smoking and/or burning, etc.
 • This catalog has only typical specifications. Therefore, please approve our product specifications or transact the approval sheet for product specifications before ordering.

LQW2BH_13 Series (0805 Size)



0805 Size, High Q Vertical Wound, Low DC Resistance Type

■ Dimensions



■ Packaging

Code	Packaging	Minimum Quantity
L	180mm Embossed Tape	2000
K	330mm Embossed Tape	7500

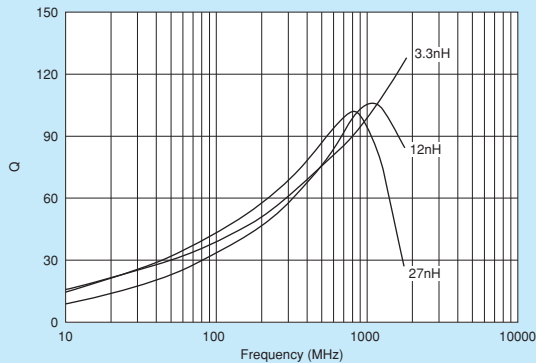
Refer to pages from p.186 to p.189 for mounting information.

■ Rated Value (□: packaging code)

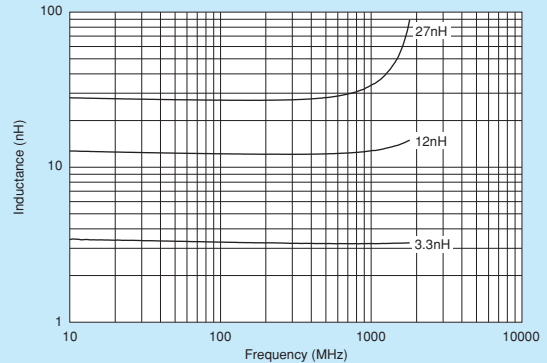
Part Number	Inductance	Test Frequency	Rated Current	Max. of DC Resistance	Q (min.)	Test Frequency	Self Resonance Frequency (min.)	
LQW2BHN2N7D13□	2.7nH ±0.5nH	100MHz	1900mA	0.02ohm	20	250MHz	6000MHz	Kit
LQW2BHN3N1D13□	3.1nH ±0.5nH	100MHz	1800mA	0.02ohm	20	250MHz	6000MHz	Kit
LQW2BHN3N3D13□	3.3nH ±0.5nH	100MHz	1700mA	0.02ohm	20	250MHz	6000MHz	Kit
LQW2BHN5N6D13□	5.6nH ±0.5nH	100MHz	1500mA	0.02ohm	35	250MHz	6000MHz	Kit
LQW2BHN6N8D13□	6.8nH ±0.5nH	100MHz	1400mA	0.02ohm	35	250MHz	5400MHz	Kit
LQW2BHN8N6D13□	8.6nH ±0.5nH	100MHz	1300mA	0.03ohm	35	250MHz	3900MHz	Kit
LQW2BHN10NJ13□	10nH ±5%	100MHz	1320mA	0.03ohm	35	250MHz	3300MHz	Kit
LQW2BHN12NK13□	12nH ±10%	100MHz	1100mA	0.04ohm	40	250MHz	3200MHz	Kit
LQW2BHN15NK13□	15nH ±10%	100MHz	1000mA	0.04ohm	40	250MHz	3100MHz	Kit
LQW2BHN18NK13□	18.8nH ±10%	100MHz	1000mA	0.05ohm	40	250MHz	2600MHz	Kit
LQW2BHN21NK13□	21nH ±10%	100MHz	950mA	0.05ohm	40	250MHz	2200MHz	Kit
LQW2BHN27NK13□	27nH ±10%	100MHz	900mA	0.06ohm	40	250MHz	1800MHz	Kit

Operating Temperature Range (Self-temperature rise is not included): -40°C to +85°C

■ Q-Frequency Characteristics (Typ.)



■ Inductance-Frequency Characteristics (Typ.)



Continued on the following page.

△Note • Please read rating and △CAUTION (for storage, operating, rating, soldering, mounting and handling) in this catalog to prevent smoking and/or burning, etc.
• This catalog has only typical specifications. Therefore, please approve our product specifications or transact the approval sheet for product specifications before ordering.

Inductor for Power Lines (Power Inductor)

Inductor for Low Frequency Circuits

RF Inductor
Wire Wound Non-Magnetic Type (Vertical Axis)

Reference Data

LQW2BH_13

4991A&16197A

Part Number	Inductance (nH)		Q (Typ.)			
	100MHz	800MHz	900MHz	1.8GHz	2.0GHz	2.4GHz
LQW2BHN2N7□13	2.7	73	77	113	119	128
LQW2BHN3N1□13	3.1	67	72	111	115	126
LQW2BHN3N3□13	3.3	83	90	120	121	138
LQW2BHN5N6□13	5.6	60	82	127	130	142
LQW2BHN6N8□13	6.8	68	72	110	113	120
LQW2BHN8N6□13	8.6	90	100	140	142	135
LQW2BHN10N□13	10	90	95	124	118	106
LQW2BHN12N□13	12	103	107	115	101	76
LQW2BHN15N□13	15	91	94	91	75	49
LQW2BHN18N□13	18.8	105	109	65	44	15
LQW2BHN21N□13	21	98	98	52	31	-
LQW2BHN27N□13	27	87	83	10	-	-

Inductor for Power Lines (Power Inductor)

Inductor for Low Frequency Circuits

Wire Wound Non-Magnetic Type (Vertical Axis)
RF Inductor

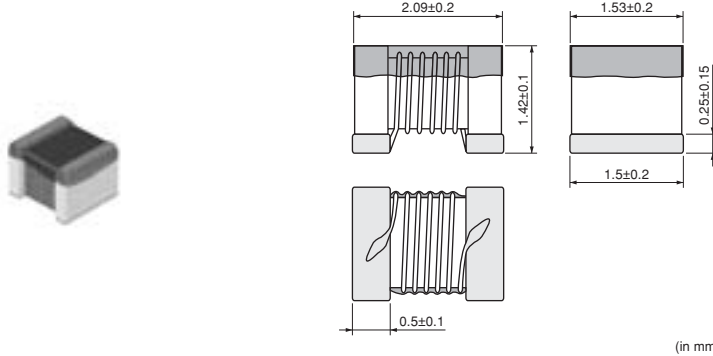
△Note • Please read rating and △CAUTION (for storage, operating, rating, soldering, mounting and handling) in this catalog to prevent smoking and/or burning, etc.
• This catalog has only typical specifications. Therefore, please approve our product specifications or transact the approval sheet for product specifications before ordering.

LQW2BA Series (0805 Size)



0805 Size, Horizontal Wound Type

■ Dimensions



■ Packaging

Code	Packaging	Minimum Quantity
L	180mm Embossed Tape	2000

Refer to pages from p.186 to p.189 for mounting information.

■ Rated Value (□: packaging code)

Part Number	Inductance	Test Frequency	Rated Current	Max. of DC Resistance	Q (min.)	Test Frequency	Self Resonance Frequency (min.)	
LQW2BAS2N8J00□	2.8nH ±5%	250MHz	800mA	0.06ohm	80	1500MHz	12200MHz	Kit
LQW2BAS3N0J00□	3.0nH ±5%	250MHz	800mA	0.06ohm	65	1500MHz	12200MHz	Kit
LQW2BAS5N6J00□	5.6nH ±5%	250MHz	600mA	0.08ohm	65	1000MHz	5900MHz	Kit
LQW2BAS6N8J00□	6.8nH ±5%	250MHz	600mA	0.11ohm	50	1000MHz	5600MHz	Kit
LQW2BAS7N5J00□	7.5nH ±5%	250MHz	600mA	0.14ohm	50	1000MHz	4800MHz	Kit
LQW2BAS8N2J00□	8.2nH ±5%	250MHz	600mA	0.12ohm	50	1000MHz	4400MHz	Kit
LQW2BAS10NJ00□	10nH ±5%	250MHz	600mA	0.10ohm	60	500MHz	4300MHz	Kit
LQW2BAS12NJ00□	12nH ±5%	250MHz	600mA	0.15ohm	50	500MHz	4000MHz	Kit
LQW2BAS15NJ00□	15nH ±5%	250MHz	600mA	0.17ohm	50	500MHz	3200MHz	Kit
LQW2BAS18NJ00□	18nH ±5%	250MHz	600mA	0.20ohm	50	500MHz	3100MHz	Kit
LQW2BAS22NJ00□	22nH ±5%	250MHz	500mA	0.22ohm	55	500MHz	2600MHz	Kit
LQW2BAS24NJ00□	24nH ±5%	250MHz	500mA	0.22ohm	50	500MHz	2400MHz	Kit
LQW2BAS27NJ00□	27nH ±5%	250MHz	500mA	0.25ohm	55	500MHz	2580MHz	Kit
LQW2BAS33NG00□	33nH ±2%	250MHz	500mA	0.27ohm	60	500MHz	2150MHz	New Kit
LQW2BAS33NJ00□	33nH ±5%	250MHz	500mA	0.27ohm	60	500MHz	2150MHz	
LQW2BAS36NG00□	36nH ±2%	250MHz	500mA	0.27ohm	55	500MHz	1900MHz	New Kit
LQW2BAS36NJ00□	36nH ±5%	250MHz	500mA	0.27ohm	55	500MHz	1900MHz	
LQW2BAS39NG00□	39nH ±2%	250MHz	500mA	0.29ohm	60	500MHz	2000MHz	New Kit
LQW2BAS39NJ00□	39nH ±5%	250MHz	500mA	0.29ohm	60	500MHz	2000MHz	
LQW2BAS43NG00□	43nH ±2%	200MHz	500mA	0.34ohm	60	500MHz	1800MHz	New Kit
LQW2BAS43NJ00□	43nH ±5%	200MHz	500mA	0.34ohm	60	500MHz	1800MHz	
LQW2BAS47NG00□	47nH ±2%	200MHz	500mA	0.31ohm	60	500MHz	1700MHz	New Kit
LQW2BAS47NJ00□	47nH ±5%	200MHz	500mA	0.31ohm	60	500MHz	1700MHz	
LQW2BAS56NG00□	56nH ±2%	200MHz	500mA	0.34ohm	60	500MHz	1600MHz	New Kit
LQW2BAS56NJ00□	56nH ±5%	200MHz	500mA	0.34ohm	60	500MHz	1600MHz	
LQW2BAS68NG00□	68nH ±2%	200MHz	500mA	0.38ohm	60	500MHz	1500MHz	New Kit
LQW2BAS68NJ00□	68nH ±5%	200MHz	500mA	0.38ohm	60	500MHz	1500MHz	
LQW2BAS82NG00□	82nH ±2%	150MHz	400mA	0.42ohm	65	500MHz	1330MHz	New Kit
LQW2BAS82NJ00□	82nH ±5%	150MHz	400mA	0.42ohm	65	500MHz	1330MHz	
LQW2BAS91NG00□	91nH ±2%	150MHz	400mA	0.48ohm	65	500MHz	1330MHz	New Kit
LQW2BAS91NJ00□	91nH ±5%	150MHz	400mA	0.48ohm	65	500MHz	1330MHz	
LQW2BASR10G00□	100nH ±2%	150MHz	400mA	0.46ohm	65	500MHz	1250MHz	New Kit

Operating Temperature Range (Self-temperature rise is not included): -55°C to +125°C
Only for reflow soldering.

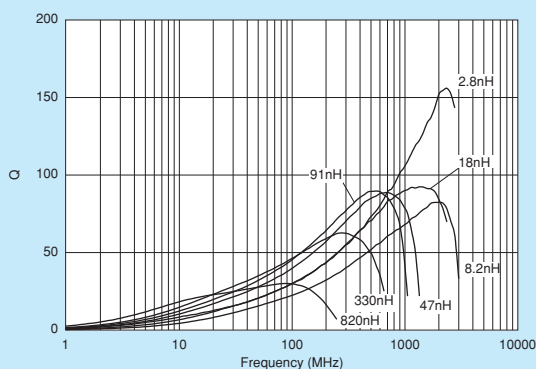
Continued on the following page. ↗

△Note • Please read rating and △CAUTION (for storage, operating, rating, soldering, mounting and handling) in this catalog to prevent smoking and/or burning, etc.
• This catalog has only typical specifications. Therefore, please approve our product specifications or transact the approval sheet for product specifications before ordering.

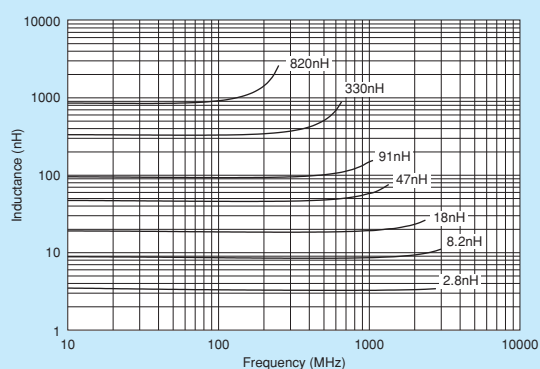
Part Number	Inductance	Test Frequency	Rated Current	Max. of DC Resistance	Q (min.)	Test Frequency	Self Resonance Frequency (min.)	
LQW2BASR10J00□	100nH ±5%	150MHz	400mA	0.46ohm	65	500MHz	1250MHz	
LQW2BASR11G00□	110nH ±2%	150MHz	400mA	0.48ohm	50	250MHz	1100MHz	New Kit
LQW2BASR11J00□	110nH ±5%	150MHz	400mA	0.48ohm	50	250MHz	1100MHz	
LQW2BASR12G00□	120nH ±2%	150MHz	400mA	0.51ohm	50	250MHz	1100MHz	New Kit
LQW2BASR12J00□	120nH ±5%	150MHz	400mA	0.51ohm	50	250MHz	1100MHz	
LQW2BASR15G00□	150nH ±2%	100MHz	400mA	0.56ohm	50	250MHz	920MHz	New Kit
LQW2BASR15J00□	150nH ±5%	100MHz	400mA	0.56ohm	50	250MHz	920MHz	
LQW2BASR18G00□	180nH ±2%	100MHz	400mA	0.64ohm	50	250MHz	920MHz	New Kit
LQW2BASR18J00□	180nH ±5%	100MHz	400mA	0.64ohm	50	250MHz	920MHz	
LQW2BASR22G00□	220nH ±2%	100MHz	400mA	0.70ohm	50	250MHz	820MHz	New Kit
LQW2BASR22J00□	220nH ±5%	100MHz	400mA	0.70ohm	50	250MHz	820MHz	
LQW2BASR24G00□	240nH ±2%	100MHz	350mA	1.00ohm	44	250MHz	770MHz	New Kit
LQW2BASR24J00□	240nH ±5%	100MHz	350mA	1.00ohm	44	250MHz	770MHz	
LQW2BASR27G00□	270nH ±2%	100MHz	350mA	1.00ohm	48	250MHz	730MHz	New Kit
LQW2BASR27J00□	270nH ±5%	100MHz	350mA	1.00ohm	48	250MHz	730MHz	
LQW2BASR33G00□	330nH ±2%	100MHz	310mA	1.40ohm	48	250MHz	650MHz	New Kit
LQW2BASR33J00□	330nH ±5%	100MHz	310mA	1.40ohm	48	250MHz	650MHz	
LQW2BASR39J00□	390nH ±5%	100MHz	290mA	1.50ohm	48	250MHz	600MHz	Kit
LQW2BASR47J00□	470nH ±5%	50MHz	250mA	1.76ohm	33	100MHz	300MHz	Kit
LQW2BASR56J00□	560nH ±5%	25MHz	230mA	1.90ohm	23	50MHz	270MHz	Kit
LQW2BASR68J00□	680nH ±5%	25MHz	190mA	2.20ohm	23	50MHz	250MHz	Kit
LQW2BASR82J00□	820nH ±5%	25MHz	180mA	2.35ohm	23	50MHz	230MHz	Kit

Operating Temperature Range (Self-temperature rise is not included): -55°C to +125°C
 Only for reflow soldering.

■ Q-Frequency Characteristics (Typ.)



■ Inductance-Frequency Characteristics (Typ.)



Continued on the following page.

△Note • Please read rating and △CAUTION (for storage, operating, rating, soldering, mounting and handling) in this catalog to prevent smoking and/or burning, etc.
 • This catalog has only typical specifications. Therefore, please approve our product specifications or transact the approval sheet for product specifications before ordering.

Reference Data

LQW2BA

4991A&16197A

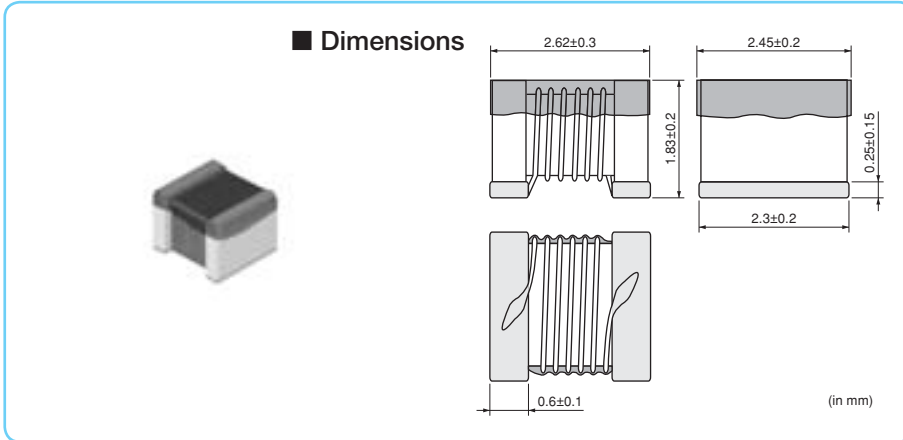
Part Number	Inductance (nH)		Q (Typ.)			
	100MHz	800MHz	900MHz	1.8GHz	2.0GHz	2.4GHz
LQW2BAS2N8□00	2.8	100	95	170	175	190
LQW2BAS3N0□00	3	63	67	100	104	110
LQW2BAS5N6□00	5.6	96	100	150	153	160
LQW2BAS6N8□00	6.8	77	70	97	100	106
LQW2BAS7N5□00	7.5	66	70	91	90	94
LQW2BAS8N2□00	8.2	64	70	94	94	96
LQW2BAS10N□00	10	96	100	138	140	138
LQW2BAS12N□00	12	73	77	120	103	101
LQW2BAS15N□00	15	78	80	92	80	76
LQW2BAS18N□00	18	84	89	104	100	86
LQW2BAS22N□00	22	91	90	89	80	56
LQW2BAS24N□00	24	87	87	63	51	36
LQW2BAS27N□00	27	90	92	93	89	65
LQW2BAS33N□00	33	92	93	60	45	13
LQW2BAS36N□00	36	92	93	43	26	2
LQW2BAS39N□00	39	96	95	61	41	15
LQW2BAS43N□00	43	95	96	37	17	-
LQW2BAS47N□00	47	91	88	24	5	-
LQW2BAS56N□00	56	92	90	17	-	-
LQW2BAS68N□00	68	91	87	4	-	-
LQW2BAS82N□00	82	85	75	-	-	-
LQW2BAS91N□00	91	83	74	-	-	-
LQW2BASR10□00	100	78	64	-	-	-
LQW2BASR11□00	110	68	50	-	-	-
LQW2BASR12□00	120	48	28	-	-	-
LQW2BASR15□00	150	48	32	-	-	-
LQW2BASR18□00	180	34	20	-	-	-
LQW2BASR22□00	220	29	11	-	-	-
LQW2BASR24□00	240	22	5	-	-	-
LQW2BASR27□00	270	11	-	-	-	-
LQW2BASR33□00	330	4	-	-	-	-
LQW2BASR39□00	390	-	-	-	-	-
LQW2BASR47□00	470	-	-	-	-	-
LQW2BASR56□00	560	-	-	-	-	-
LQW2BASR68□00	680	-	-	-	-	-
LQW2BASR82□00	820	-	-	-	-	-

△Note • Please read rating and △CAUTION (for storage, operating, rating, soldering, mounting and handling) in this catalog to prevent smoking and/or burning, etc.
 • This catalog has only typical specifications. Therefore, please approve our product specifications or transact the approval sheet for product specifications before ordering.

LQW2UA Series (1008 Size)



1008 Size, Wound Type



■ Packaging

Code	Packaging	Minimum Quantity
L	180mm Embossed Tape	2000

Refer to pages from p.186 to p.189 for mounting information.

■ Rated Value (□: packaging code)

Part Number	Inductance	Test Frequency	Rated Current	Max. of DC Resistance	Q (min.)	Test Frequency	Self Resonance Frequency (min.)	
LQW2UAS12NG00□	12nH ±2%	50MHz	1000mA	0.09ohm	50	500MHz	3300MHz	New Kit
LQW2UAS12NJ00□	12nH ±5%	50MHz	1000mA	0.09ohm	50	500MHz	3300MHz	
LQW2UAS18NG00□	18nH ±2%	50MHz	1000mA	0.11ohm	50	350MHz	2500MHz	New Kit
LQW2UAS18NJ00□	18nH ±5%	50MHz	1000mA	0.11ohm	50	350MHz	2500MHz	
LQW2UAS22NG00□	22nH ±2%	50MHz	1000mA	0.12ohm	55	350MHz	2400MHz	New Kit
LQW2UAS22NJ00□	22nH ±5%	50MHz	1000mA	0.12ohm	55	350MHz	2400MHz	
LQW2UAS27NG00□	27nH ±2%	50MHz	1000mA	0.13ohm	55	350MHz	1600MHz	New Kit
LQW2UAS27NJ00□	27nH ±5%	50MHz	1000mA	0.13ohm	55	350MHz	1600MHz	
LQW2UAS33NG00□	33nH ±2%	50MHz	1000mA	0.14ohm	60	350MHz	1600MHz	New Kit
LQW2UAS33NJ00□	33nH ±5%	50MHz	1000mA	0.14ohm	60	350MHz	1600MHz	
LQW2UAS39NG00□	39nH ±2%	50MHz	1000mA	0.15ohm	60	350MHz	1500MHz	New Kit
LQW2UAS39NJ00□	39nH ±5%	50MHz	1000mA	0.15ohm	60	350MHz	1500MHz	
LQW2UAS47NG00□	47nH ±2%	50MHz	1000mA	0.16ohm	65	350MHz	1500MHz	New Kit
LQW2UAS47NJ00□	47nH ±5%	50MHz	1000mA	0.16ohm	65	350MHz	1500MHz	
LQW2UAS56NG00□	56nH ±2%	50MHz	1000mA	0.18ohm	65	350MHz	1300MHz	New Kit
LQW2UAS56NJ00□	56nH ±5%	50MHz	1000mA	0.18ohm	65	350MHz	1300MHz	
LQW2UAS68NG00□	68nH ±2%	50MHz	1000mA	0.2ohm	65	350MHz	1300MHz	New Kit
LQW2UAS68NJ00□	68nH ±5%	50MHz	1000mA	0.2ohm	65	350MHz	1300MHz	
LQW2UAS82NG00□	82nH ±2%	50MHz	1000mA	0.22ohm	60	350MHz	1000MHz	New Kit
LQW2UAS82NJ00□	82nH ±5%	50MHz	1000mA	0.22ohm	60	350MHz	1000MHz	
LQW2UASR10G00□	100nH ±2%	25MHz	650mA	0.56ohm	60	350MHz	1000MHz	New Kit
LQW2UASR10J00□	100nH ±5%	25MHz	650mA	0.56ohm	60	350MHz	1000MHz	
LQW2UASR12G00□	120nH ±2%	25MHz	650mA	0.63ohm	60	350MHz	950MHz	New Kit
LQW2UASR12J00□	120nH ±5%	25MHz	650mA	0.63ohm	60	350MHz	950MHz	
LQW2UASR15G00□	150nH ±2%	25MHz	580mA	0.7ohm	45	100MHz	850MHz	New Kit
LQW2UASR15J00□	150nH ±5%	25MHz	580mA	0.7ohm	45	100MHz	850MHz	
LQW2UASR18G00□	180nH ±2%	25MHz	620mA	0.77ohm	45	100MHz	750MHz	New Kit
LQW2UASR18J00□	180nH ±5%	25MHz	620mA	0.77ohm	45	100MHz	750MHz	
LQW2UASR22G00□	220nH ±2%	25MHz	500mA	0.84ohm	45	100MHz	700MHz	New Kit
LQW2UASR22J00□	220nH ±5%	25MHz	500mA	0.84ohm	45	100MHz	700MHz	
LQW2UASR27G00□	270nH ±2%	25MHz	500mA	0.91ohm	45	100MHz	600MHz	New Kit
LQW2UASR27J00□	270nH ±5%	25MHz	500mA	0.91ohm	45	100MHz	600MHz	

Operating Temperature Range (Self-temperature rise is not included): -55°C to +125°C
Only for reflow soldering.

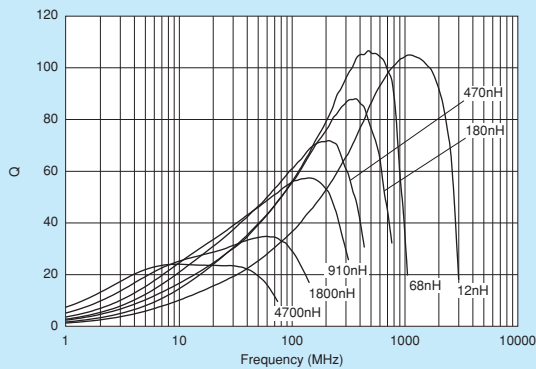
Continued on the following page.

△Note • Please read rating and △CAUTION (for storage, operating, rating, soldering, mounting and handling) in this catalog to prevent smoking and/or burning, etc.
• This catalog has only typical specifications. Therefore, please approve our product specifications or transact the approval sheet for product specifications before ordering.

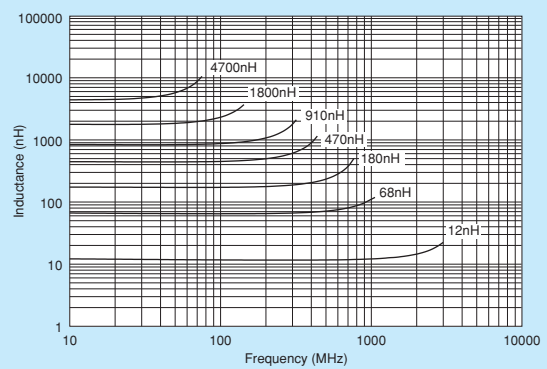
Part Number	Inductance	Test Frequency	Rated Current	Max. of DC Resistance	Q (min.)	Test Frequency	Self Resonance Frequency (min.)	
LQW2UASR33G00□	330nH ±2%	25MHz	450mA	1.05ohm	45	100MHz	570MHz	New Kit
LQW2UASR33J00□	330nH ±5%	25MHz	450mA	1.05ohm	45	100MHz	570MHz	
LQW2UASR39G00□	390nH ±2%	25MHz	470mA	1.12ohm	45	100MHz	500MHz	New Kit
LQW2UASR39J00□	390nH ±5%	25MHz	470mA	1.12ohm	45	100MHz	500MHz	
LQW2UASR47G00□	470nH ±2%	25MHz	470mA	1.19ohm	45	100MHz	450MHz	New Kit
LQW2UASR47J00□	470nH ±5%	25MHz	470mA	1.19ohm	45	100MHz	450MHz	
LQW2UASR56G00□	560nH ±2%	25MHz	400mA	1.33ohm	45	100MHz	415MHz	New Kit
LQW2UASR56J00□	560nH ±5%	25MHz	400mA	1.33ohm	45	100MHz	415MHz	
LQW2UASR62G00□	620nH ±2%	25MHz	300mA	1.4ohm	45	100MHz	375MHz	New Kit
LQW2UASR62J00□	620nH ±5%	25MHz	300mA	1.4ohm	45	100MHz	375MHz	
LQW2UASR68G00□	680nH ±2%	25MHz	400mA	1.47ohm	45	100MHz	375MHz	New Kit
LQW2UASR68J00□	680nH ±5%	25MHz	400mA	1.47ohm	45	100MHz	375MHz	
LQW2UASR75G00□	750nH ±2%	25MHz	360mA	1.54ohm	45	100MHz	360MHz	New Kit
LQW2UASR75J00□	750nH ±5%	25MHz	360mA	1.54ohm	45	100MHz	360MHz	
LQW2UASR82G00□	820nH ±2%	25MHz	400mA	1.61ohm	45	100MHz	350MHz	New Kit
LQW2UASR82J00□	820nH ±5%	25MHz	400mA	1.61ohm	45	100MHz	350MHz	
LQW2UASR91G00□	910nH ±2%	25MHz	380mA	1.68ohm	35	50MHz	320MHz	New Kit
LQW2UASR91J00□	910nH ±5%	25MHz	380mA	1.68ohm	35	50MHz	320MHz	
LQW2UAS1R0G00□	1000nH ±2%	25MHz	370mA	1.75ohm	35	50MHz	290MHz	New Kit
LQW2UAS1R0J00□	1000nH ±5%	25MHz	370mA	1.75ohm	35	50MHz	290MHz	
LQW2UAS1R2J00□	1200nH ±5%	7.9MHz	310mA	2ohm	35	50MHz	210MHz	Kit
LQW2UAS1R5J00□	1500nH ±5%	7.9MHz	330mA	2.3ohm	28	50MHz	120MHz	Kit
LQW2UAS1R8J00□	1800nH ±5%	7.9MHz	300mA	2.6ohm	28	50MHz	140MHz	Kit
LQW2UAS2R2J00□	2200nH ±5%	7.9MHz	280mA	2.8ohm	28	50MHz	130MHz	Kit
LQW2UAS2R7J00□	2700nH ±5%	7.9MHz	290mA	3.2ohm	22	25MHz	110MHz	Kit
LQW2UAS3R3J00□	3300nH ±5%	7.9MHz	290mA	3.4ohm	22	25MHz	90MHz	Kit
LQW2UAS3R9J00□	3900nH ±5%	7.9MHz	260mA	3.6ohm	20	25MHz	70MHz	Kit
LQW2UAS4R7J00□	4700nH ±5%	7.9MHz	260mA	4ohm	20	25MHz	60MHz	Kit

Operating Temperature Range (Self-temperature rise is not included): -55°C to +125°C
Only for reflow soldering.

■ Q-Frequency Characteristics (Typ.)



■ Inductance-Frequency Characteristics (Typ.)



Continued on the following page.

△Note • Please read rating and △CAUTION (for storage, operating, rating, soldering, mounting and handling) in this catalog to prevent smoking and/or burning, etc.
• This catalog has only typical specifications. Therefore, please approve our product specifications or transact the approval sheet for product specifications before ordering.

Reference Data

LQW2UA

4991A&16197A

Part Number	Inductance (nH)		Q (Typ.)			
	100MHz	800MHz	900MHz	1.8GHz	2.0GHz	2.4GHz
LQW2UAS12N□00	12	108	114	125	120	110
LQW2UAS18N□00	18	123	130	123	118	90
LQW2UAS22N□00	22	120	122	94	73	43
LQW2UAS27N□00	27	103	103	34	14	-
LQW2UAS33N□00	33	122	125	67	41	-
LQW2UAS39N□00	39	115	110	9	-	-
LQW2UAS47N□00	47	120	125	19	-	-
LQW2UAS56N□00	56	111	98	-	-	-
LQW2UAS68N□00	68	110	100	-	-	-
LQW2UAS82N□00	82	75	60	-	-	-
LQW2UASR10□00	100	70	57	-	-	-
LQW2UASR12□00	120	67	50	-	-	-
LQW2UASR15□00	150	47	25	-	-	-
LQW2UASR18□00	180	27	5	-	-	-
LQW2UASR22□00	220	7	-	-	-	-
LQW2UASR27□00	270	-	-	-	-	-
LQW2UASR33□00	330	-	-	-	-	-
LQW2UASR39□00	390	-	-	-	-	-
LQW2UASR47□00	470	-	-	-	-	-
LQW2UASR56□00	560	-	-	-	-	-
LQW2UASR62□00	620	-	-	-	-	-
LQW2UASR68□00	680	-	-	-	-	-
LQW2UASR75□00	750	-	-	-	-	-
LQW2UASR82□00	820	-	-	-	-	-
LQW2UASR91□00	910	-	-	-	-	-
LQW2UAS1R0□00	1000	-	-	-	-	-
LQW2UAS1R2□00	1200	-	-	-	-	-
LQW2UAS1R5□00	1500	-	-	-	-	-
LQW2UAS1R8□00	1800	-	-	-	-	-
LQW2UAS2R2□00	2200	-	-	-	-	-
LQW2UAS2R7□00	2700	-	-	-	-	-
LQW2UAS3R3□00	3300	-	-	-	-	-
LQW2UAS3R9□00	3900	-	-	-	-	-
LQW2UAS4R7□00	4700	-	-	-	-	-

Inductor for Power Lines (Power Inductor)

Inductor for Low Frequency Circuits

Wire Wound Non-Magnetic Type (Horizontal Axis)
RF Inductor

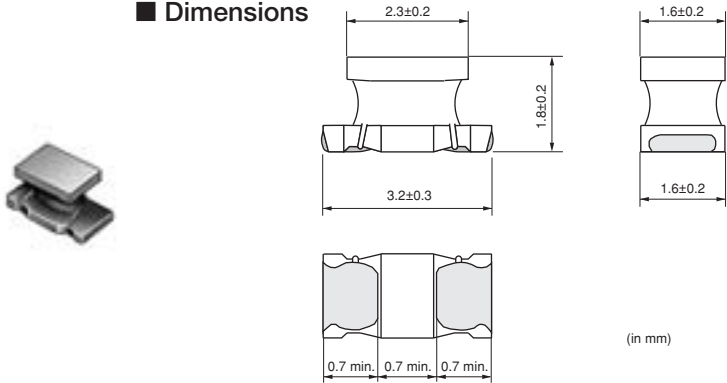
△Note • Please read rating and △CAUTION (for storage, operating, rating, soldering, mounting and handling) in this catalog to prevent smoking and/or burning, etc.
• This catalog has only typical specifications. Therefore, please approve our product specifications or transact the approval sheet for product specifications before ordering.

LQW31H Series (1206 Size)



1206 Size, Wound Type

■ Dimensions



■ Packaging

Code	Packaging	Minimum Quantity
L	180mm Embossed Tape	2000
K	330mm Embossed Tape	7500

Refer to pages from p.186 to p.189 for mounting information.

■ Rated Value (□: packaging code)

Part Number	Inductance	Test Frequency	Rated Current	DC Resistance	Q (min.)	Test Frequency	Self Resonance Frequency (min.)
LQW31HN8N8J03□	8.8nH ±5%	100MHz	750mA	0.029ohm ±40%	50	436MHz	1000MHz
LQW31HN8N8K03□	8.8nH ±10%	100MHz	750mA	0.029ohm ±40%	50	436MHz	1000MHz
LQW31HN15NJ03□	14.7nH ±5%	100MHz	680mA	0.035ohm ±40%	60	436MHz	1000MHz
LQW31HN15NK03□	14.7nH ±10%	100MHz	680mA	0.035ohm ±40%	60	436MHz	1000MHz
LQW31HN17NJ03□	17nH ±5%	100MHz	650mA	0.037ohm ±40%	60	436MHz	1000MHz
LQW31HN17NK03□	17nH ±10%	100MHz	650mA	0.037ohm ±40%	60	436MHz	1000MHz
LQW31HN23NJ03□	23nH ±5%	100MHz	590mA	0.046ohm ±40%	60	436MHz	1000MHz
LQW31HN23NK03□	23nH ±10%	100MHz	590mA	0.046ohm ±40%	60	436MHz	1000MHz
LQW31HN27NJ03□	27nH ±5%	100MHz	560mA	0.051ohm ±40%	60	436MHz	1000MHz
LQW31HN27NK03□	27nH ±10%	100MHz	560mA	0.051ohm ±40%	60	436MHz	1000MHz
LQW31HN33NJ03□	33nH ±5%	100MHz	530mA	0.057ohm ±40%	60	436MHz	1000MHz
LQW31HN33NK03□	33nH ±10%	100MHz	530mA	0.057ohm ±40%	60	436MHz	1000MHz
LQW31HN39NJ03□	39nH ±5%	100MHz	490mA	0.067ohm ±40%	60	436MHz	1000MHz
LQW31HN39NK03□	39nH ±10%	100MHz	490mA	0.067ohm ±40%	60	436MHz	1000MHz
LQW31HN47NJ03□	47nH ±5%	100MHz	380mA	0.11ohm ±40%	60	436MHz	1000MHz
LQW31HN47NK03□	47nH ±10%	100MHz	380mA	0.11ohm ±40%	60	436MHz	1000MHz
LQW31HN56NJ03□	56nH ±5%	100MHz	330mA	0.14ohm ±40%	60	436MHz	1000MHz
LQW31HN56NK03□	56nH ±10%	100MHz	330mA	0.14ohm ±40%	60	436MHz	1000MHz
LQW31HN64NJ03□	64nH ±5%	100MHz	290mA	0.18ohm ±40%	60	436MHz	1000MHz
LQW31HN64NK03□	64nH ±10%	100MHz	290mA	0.18ohm ±40%	60	436MHz	1000MHz
LQW31HN84NJ03□	84nH ±5%	100MHz	240mA	0.28ohm ±40%	60	436MHz	1000MHz
LQW31HN84NK03□	84nH ±10%	100MHz	240mA	0.28ohm ±40%	60	436MHz	1000MHz
LQW31HNR10J03□	100nH ±5%	100MHz	230mA	0.3ohm ±40%	60	436MHz	900MHz
LQW31HNR10K03□	100nH ±10%	100MHz	230mA	0.3ohm ±40%	60	436MHz	900MHz

Operating Temperature Range (Self-temperature rise is not included): -40°C to +85°C

Continued on the following page.

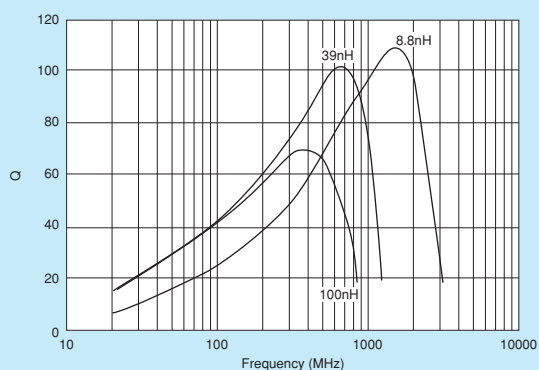
△Note • Please read rating and △CAUTION (for storage, operating, rating, soldering, mounting and handling) in this catalog to prevent smoking and/or burning, etc.
• This catalog has only typical specifications. Therefore, please approve our product specifications or transact the approval sheet for product specifications before ordering.

Inductor for Power Lines (Power Inductor)

Inductor for Low Frequency Circuits

RF Inductor
Wire Wound Non-Magnetic Type (Vertical Axis)

■ Q-Frequency Characteristics (Typ.)



■ Reference Data

LQW31H

4991A&16197A

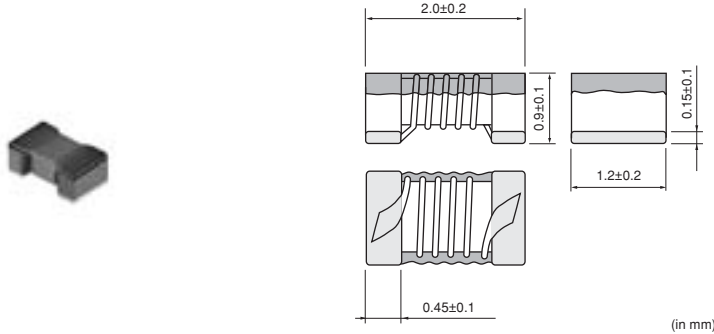
Part Number	Inductance (nH)		Q (Typ.)			
	100MHz	800MHz	900MHz	1.8GHz	2.0GHz	2.4GHz
LQW31HN8N8□03	8.8	101	107	146	146	157
LQW31HN15N□03	14.7	105	108	92	75	50
LQW31HN17N□03	17	106	108	66	47	22
LQW31HN23N□03	23	109	109	53	32	-
LQW31HN27N□03	27	106	109	37	14	-
LQW31HN33N□03	33	98	96	5	-	-
LQW31HN39N□03	39	90	88	-	-	-
LQW31HN47N□03	47	80	72	-	-	-
LQW31HN56N□03	56	77	67	-	-	-
LQW31HN64N□03	64	73	61	-	-	-
LQW31HN84N□03	84	59	47	-	-	-
LQW31HNR10□03	100	40	25	-	-	-

△Note • Please read rating and △CAUTION (for storage, operating, rating, soldering, mounting and handling) in this catalog to prevent smoking and/or burning, etc.
 • This catalog has only typical specifications. Therefore, please approve our product specifications or transact the approval sheet for product specifications before ordering.



0805 Size, Ferrite Core High Frequency Wound Type

■ Dimensions



■ Packaging

Code	Packaging	Minimum Quantity
L	180mm Embossed Tape	3000
B	Bulk(Bag)	500

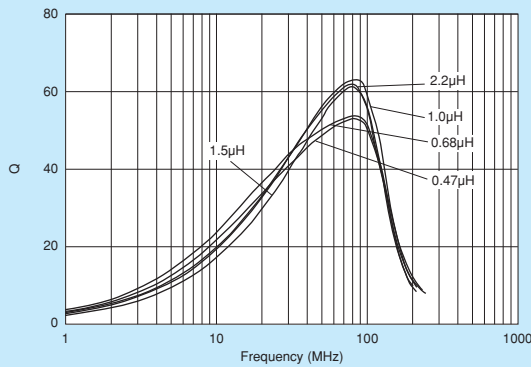
Refer to pages from p.186 to p.189 for mounting information.

■ Rated Value (□: packaging code)

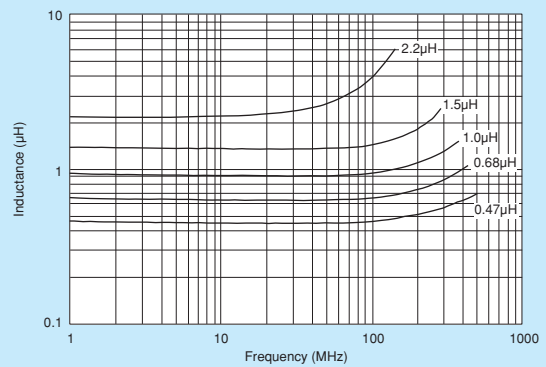
Part Number	Inductance	Test Frequency	Rated Current	Max. of DC Resistance	Q (min.)	Test Frequency	Self Resonance Frequency (min.)	
LQW21HNR47J00□	0.47μH ±5%	10MHz	160mA	1.30ohm	35	100MHz	620MHz	Kit
LQW21HNR56J00□	0.56μH ±5%	10MHz	150mA	1.43ohm	35	100MHz	580MHz	Kit
LQW21HNR68J00□	0.68μH ±5%	10MHz	130mA	2.21ohm	35	100MHz	520MHz	Kit
LQW21HNR82J00□	0.82μH ±5%	10MHz	125mA	2.34ohm	35	100MHz	480MHz	Kit
LQW21HN1R0J00□	1.0μH ±5%	10MHz	115mA	2.86ohm	35	100MHz	450MHz	Kit
LQW21HN1R2J00□	1.2μH ±5%	10MHz	100mA	3.12ohm	35	100MHz	400MHz	Kit
LQW21HN1R5J00□	1.5μH ±5%	10MHz	85mA	5.33ohm	35	100MHz	350MHz	Kit
LQW21HN1R8J00□	1.8μH ±5%	10MHz	80mA	5.85ohm	35	100MHz	320MHz	Kit
LQW21HN2R2J00□	2.2μH ±5%	10MHz	75mA	6.50ohm	35	100MHz	300MHz	Kit

Operating Temperature Range (Self-temperature rise is not included): -40°C to +85°C
Only for reflow soldering.

■ Q-Frequency Characteristics (Typ.)



■ Inductance-Frequency Characteristics (Typ.)



Continued on the following page.

△Note • Please read rating and △CAUTION (for storage, operating, rating, soldering, mounting and handling) in this catalog to prevent smoking and/or burning, etc.
• This catalog has only typical specifications. Therefore, please approve our product specifications or transact the approval sheet for product specifications before ordering.

Reference Data

LQW21H

4991A&16197A

Part Number	Inductance (μH)	Q (Typ.)				
	100MHz	30MHz	70MHz	80MHz	90MHz	100MHz
LQW21HNR47□00	0.47	40	54	55	56	55
LQW21HNR56□00	0.56	46	63	64	64	60
LQW21HNR68□00	0.68	41	56	56	57	54
LQW21HNR82□00	0.82	41	57	58	59	57
LQW21HN1R0□00	1.0	44	54	54	54	50
LQW21HN1R2□00	1.2	44	57	58	58	52
LQW21HN1R5□00	1.5	39	56	56	56	53
LQW21HN1R8□00	1.8	41	56	55	54	50
LQW21HN2R2□00	2.2	43	57	55	55	50

Inductor for Power Lines (Power Inductor)

Inductor for Low Frequency Circuits

Wire Wound Magnetic Type (Horizontal Axis)
RF Inductor

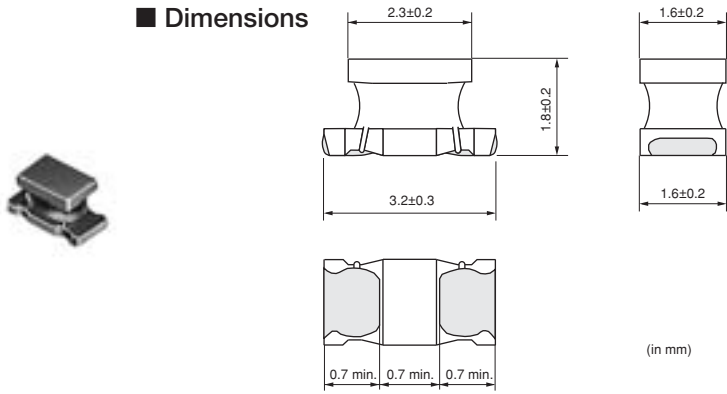
△Note • Please read rating and △CAUTION (for storage, operating, rating, soldering, mounting and handling) in this catalog to prevent smoking and/or burning, etc.
• This catalog has only typical specifications. Therefore, please approve our product specifications or transact the approval sheet for product specifications before ordering.

LQH31H Series (1206 Size)



1206 Size, Ferrite Core High Frequency Wound Type

■ Dimensions



■ Packaging

Code	Packaging	Minimum Quantity
L	180mm Embossed Tape	2000
K	330mm Embossed Tape	7500

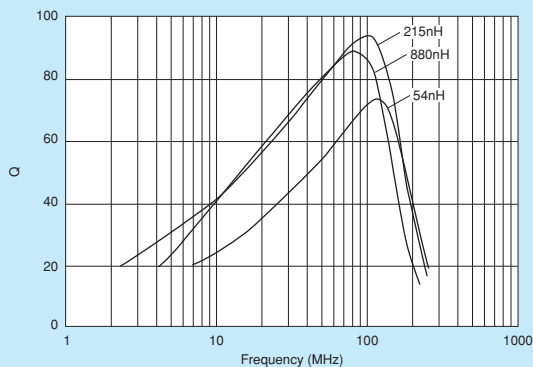
Refer to pages from p.186 to p.189 for mounting information.

■ Rated Value (□: packaging code)

Part Number	Inductance	Test Frequency	Rated Current	DC Resistance	Q (min.)	Test Frequency	Self Resonance Frequency (min.)
LQH31HN54NK03□	54nH ±10%	1MHz	920mA	0.035ohm ±30%	50	100MHz	800MHz
LQH31HN95NK03□	95nH ±10%	1MHz	790mA	0.047ohm ±30%	60	100MHz	650MHz
LQH31HNR14J03□	145nH ±5%	1MHz	700mA	0.061ohm ±30%	60	100MHz	500MHz
LQH31HNR14K03□	145nH ±10%	1MHz	700mA	0.061ohm ±30%	60	100MHz	500MHz
LQH31HNR21J03□	215nH ±5%	1MHz	520mA	0.11ohm ±30%	60	100MHz	430MHz
LQH31HNR21K03□	215nH ±10%	1MHz	520mA	0.11ohm ±30%	60	100MHz	430MHz
LQH31HNR29J03□	290nH ±5%	1MHz	420mA	0.17ohm ±30%	60	100MHz	360MHz
LQH31HNR29K03□	290nH ±10%	1MHz	420mA	0.17ohm ±30%	60	100MHz	360MHz
LQH31HNR39J03□	390nH ±5%	1MHz	330mA	0.26ohm ±30%	60	100MHz	300MHz
LQH31HNR39K03□	390nH ±10%	1MHz	330mA	0.26ohm ±30%	60	100MHz	300MHz
LQH31HNR50J03□	500nH ±5%	1MHz	260mA	0.44ohm ±30%	60	100MHz	270MHz
LQH31HNR50K03□	500nH ±10%	1MHz	260mA	0.44ohm ±30%	60	100MHz	270MHz
LQH31HNR61J03□	610nH ±5%	1MHz	250mA	0.48ohm ±30%	60	100MHz	240MHz
LQH31HNR61K03□	610nH ±10%	1MHz	250mA	0.48ohm ±30%	60	100MHz	240MHz
LQH31HNR75J03□	750nH ±5%	1MHz	190mA	0.79ohm ±30%	60	100MHz	220MHz
LQH31HNR75K03□	750nH ±10%	1MHz	190mA	0.79ohm ±30%	60	100MHz	220MHz
LQH31HNR88J03□	880nH ±5%	1MHz	180mA	0.86ohm ±30%	60	100MHz	200MHz
LQH31HNR88K03□	880nH ±10%	1MHz	180mA	0.86ohm ±30%	60	100MHz	200MHz

Operating Temperature Range (Self-temperature rise is not included): -40°C to +85°C

■ Q-Frequency Characteristics (Typ.)



Continued on the following page.

△Note • Please read rating and △CAUTION (for storage, operating, rating, soldering, mounting and handling) in this catalog to prevent smoking and/or burning, etc.
• This catalog has only typical specifications. Therefore, please approve our product specifications or transact the approval sheet for product specifications before ordering.

Inductor for Power Lines (Power Inductor)

Inductor for Low Frequency Circuits

RF Inductor
Wire Wound Magnetic Type (Vertical Axis)

Reference Data

LQH31H

4991A&16197A

Part Number	Inductance (nH)		Q (Typ.)			
	100MHz	800MHz	900MHz	1.8GHz	2.0GHz	2.4GHz
LQH31HN54N□03	54	2	1	-	-	-
LQH31HN95N□03	95	1	-	-	-	-
LQH31HNR14□03	145	-	-	-	-	-
LQH31HNR21□03	215	-	-	-	-	-
LQH31HNR29□03	290	-	-	-	-	-
LQH31HNR39□03	390	-	-	-	-	-
LQH31HNR50□03	500	-	-	-	-	-
LQH31HNR61□03	610	-	-	-	-	-
LQH31HNR75□03	750	-	-	-	-	-
LQH31HNR88□03	880	-	-	-	-	-

Inductor for Power Lines (Power Inductor)

Inductor for Low Frequency Circuits

Wire Wound Magnetic Type (Vertical Axis)
RF Inductor

△Note • Please read rating and △CAUTION (for storage, operating, rating, soldering, mounting and handling) in this catalog to prevent smoking and/or burning, etc.
• This catalog has only typical specifications. Therefore, please approve our product specifications or transact the approval sheet for product specifications before ordering.

⚠ Caution

● Rating

Do not use products beyond the rated current as this may create excessive heat.

Notice

● Storage and Operating Condition

<Operating Environment>

Do not use products in chemical atmosphere such as chlorine gas, acid or sulfide gas.

<Storage Requirements>

1. Storage Period

LQG series should be used within 6 months; the other products should be used within 12 months. Check solderability if this period is exceeded.

2. Storage Conditions

(1) Store products in a warehouse in compliance with the following conditions:

Temperature: -10 to +40 degrees C.

Humidity: 15 to 85% (relative humidity)

Do not subject products to rapid changes in temperature and humidity.

Do not store them in chemical atmosphere such as one containing sulfuric acid gas or alkaline gas.

This will prevent electrode oxidation which causes poor solderability and possible corrosion of inductors.

(2) Do not store products in bulk packaging to prevent collision among inductors which causes core chipping and wire breakage.

(3) Store products on pallets to protect from humidity, dust, etc.

(4) Avoid heat shock, vibration, direct sunlight, etc.

● Handling

This item is designed to have sufficient strength, but handle with care to avoid chipping or breaking its ceramic structure.

LQW_A/LQW_H series

- To prevent breaking the wire, avoid touching with sharp material, such as tweezers or other material such as bristles of cleaning brush, to the wire wound portion.
- To prevent breaking the core, avoid applying excessive mechanical shock to products mounted on the board.
- In some mounting machines, when picking up components, support pin pushes up the components from the bottom of base tape. In this case, please remove the support pin. The support pin may damage the components and break wire.
- In rare case, the laser recognition can not recognize this component. Please contact us when you use laser recognition. (There is no problem with the permeation and reflection type.)

LQH_H series

- To prevent breaking the wire, avoid touching with sharp material, such as tweezers or other material such as bristles of cleaning brush, to the wire wound portion of this product.
- To prevent breaking the core, avoid applying excessive mechanical shock to products mounted on the board.

LQG,LQP series (except LQP02T_02/LQP03T_02)

- The pattern of the chip inductor is covered with protective film. Take care to avoid damaging the chip inductor when handling it with pick-up nozzles, sharp instruments, etc.

<Handling>

1. Avoid applying excessive stress to products to prevent damage.
2. Do not touch wire wound with sharp objects such as tweezers to prevent wire breakage.
3. Do not apply excessive force to products mounted on boards to prevent core breakage.

<Transportation>

Do not apply excessive vibration or mechanical shock to products.

<Resin Coating>

When coating products with resin, the relatively high resin curing stress may change inductance values. For exterior coating, select resin carefully so that electrical and mechanical performance of the product is not affected. Prior to use, please evaluate reliability with the product mounted in your application set.

(LQW,LQH series)

An open circuit issue may occur by mechanical stress caused by the resin, amount/cured shape of resin, or operating condition etc. Some resins containing impurities or chloride may possibly generate chlorine by hydrolysis under some operating condition may cause corrosion of wire of inductor, leading to open circuit.

(LQP02T_02,LQP03T_02)

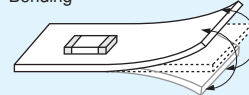
When products are coated with resin, please contact us in advance.

<Handling of a Substrate>

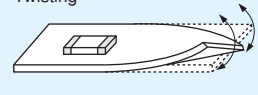
After mounting products on a substrate, do not apply any stress to the product caused by bending or twisting to the substrate when cropping the substrate, inserting and removing a connector from the substrate or tightening screw to the substrate.

Excessive mechanical stress may cause cracking in the Product.

Bending



Twisting



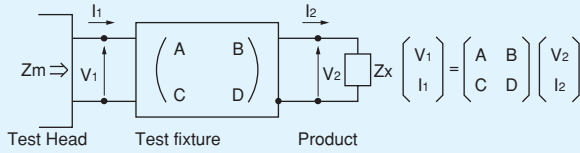
Continued on the following page. ↗

⚠ Note • Please read rating and ⚠ CAUTION (for storage, operating, rating, soldering, mounting and handling) in this catalog to prevent smoking and/or burning, etc.
• This catalog has only typical specifications. Therefore, please approve our product specifications or transact the approval sheet for product specifications before ordering.

● **Measuring Method**

Measuring Method of Inductance/Q

1. Residual elements and stray elements of test fixture can be described by F-parameter as shown in the following:



2. The impedance of chip inductor (chip coil) Z_x and measured value Z_m can be described by input/output current/voltage.

$$Z_m = \frac{V_1}{I_1}, \quad Z_x = \frac{V_2}{I_2}$$

3. Thus, the relation between Z_x and Z_m is shown in the following:

$$Z_x = \alpha \frac{Z_m - \beta}{1 - Z_m \Gamma} \quad \text{where, } \alpha = D / A = 1$$

$$\beta = B / D = Z_{sm} - (1 - Y_{om} Z_{sm}) Z_{ss}$$

$$\Gamma = C / A = Y_{om}$$

Z_{sm} : measured impedance of short chip
 Z_{ss} : residual impedance of short chip*
 Y_{om} : measured admittance when opening the fixture

*Residual impedance of short chip

Residual Impedance	Series
0nH	LQG15HS/LQP03TG
0.110nH	LQP02T
0.430nH	LQP03T_00/_04
0.464nH	LQW04A
0.480nH	LQP03T_02
0.556nH	LQG15HN, LQW15A, LQP15M
0.771nH	LQG18H, LQP18M, LQW18A, LQW21H

4. L_x and Q_x should be calculated with the following equation.

$$L_x = \frac{\text{Im}(Z_x)}{2\pi f}, \quad Q_x = \frac{\text{Im}(Z_x)}{\text{Re}(Z_x)}$$

L_x : Inductance of chip inductor (chip coil)
 Q_x : Q of chip inductor (chip coil)
 f : Measuring frequency

⚠ Note • Please read rating and ⚠ CAUTION (for storage, operating, rating, soldering, mounting and handling) in this catalog to prevent smoking and/or burning, etc.
 • This catalog has only typical specifications. Therefore, please approve our product specifications or transact the approval sheet for product specifications before ordering.

1. Standard Land Pattern Dimensions

A high Q value is achieved when the PCB electrode land pattern is designed so that it does not project beyond the chip inductor (chip coil) electrode.



Series	Standard Land Dimensions			
LQG15H LQG18H LQP02T LQP03T LQP15M LQP18M LQW04A LQW15A LQW18A LQW21H LQW2BH LQW2BA LQW2UA LQW31H LQH31H				
	LQG15H	0.4	1.4-1.5	0.5-0.6
	LQG18H	0.6-0.8	1.8-2.2	0.6-0.8
	LQP02T	0.16-0.2	0.4-0.56	0.2-0.23
	LQP03T	0.2-0.3	0.8-0.9	0.2-0.3
	LQP15M	0.4	1.4-1.5	0.5-0.6
	LQP18M	0.6-0.8	1.8-2.2	0.7-0.9
	LQW04A	0.40	1.0	0.40
	LQW15A	0.50	1.2	0.65
	LQW18A	0.6-0.8	1.9-2.0	0.7-1.0
	LQW21H	1.0	2.6	1.2
	LQW2BH	0.8	3.0	1.2
	LQW2BA	0.76	2.8	1.78
	LQW2UA	1.27	3.3	2.54
	LQH31H	1.0	4.5	1.5
	LQW31H			

Attention should be paid to potential magnetic coupling effects when using the inductor (coil) as a resonator.

2. Standard Soldering Conditions

(1) Soldering method

Chip inductor (Chip coils) can be flow or reflow soldered.
 Please contact Murata regarding other soldering methods.

As for LQG, LQP, LQW04A/15A/18A/21H/2BA/2UA series, please use reflow soldering.

Solder: Use Sn-3.0Ag-0.5Cu solder.

Flux: Use rosin-based flux, but not strongly acidic flux (with chlorine content exceeding 0.2wt%).
 Do not use water-soluble flux.

The flux used for LQW04/15/18/21/2BA/2UA series should use the rosin-based flux that includes middle activator equivalent to 0.06wt% to 0.1wt% chlorine.

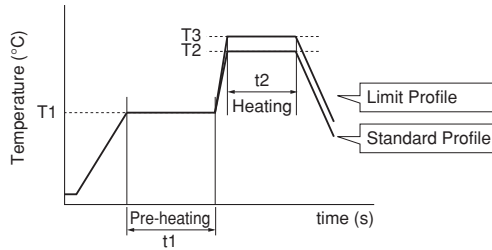
For additional mounting methods, please contact Murata.

Continued on the following page.

⚠Note • Please read rating and ⚠CAUTION (for storage, operating, rating, soldering, mounting and handling) in this catalog to prevent smoking and/or burning, etc.
 • This catalog has only typical specifications. Therefore, please approve our product specifications or transact the approval sheet for product specifications before ordering.

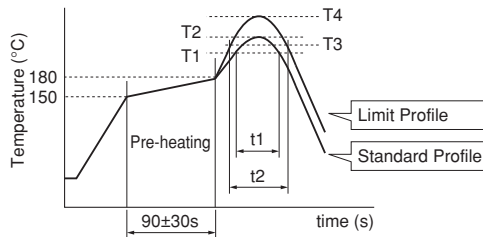
(2) Soldering profile

- Flow Soldering profile (Sn-3.0Ag-0.5Cu solder)



Series	Pre-heating		Standard Profile			Limit Profile		
	Temp. (T1)	Time. (t1)	Heating		Cycle of flow	Heating		Cycle of flow
			Temp. (T2)	Time. (t2)		Temp. (T3)	Time. (t2)	
LQW2BH/31H LQH31H	150°C	60s min.	250°C	4 to 6s	2 times max.	265±3°C	5s max.	2 times max.

- Reflow Soldering profile (Sn-3.0Ag-0.5Cu solder)



Series	Standard Profile				Limit Profile			
	Heating		Peak temperature (T2)	Cycle of reflow	Heating		Peak temperature (T4)	Cycle of reflow
	Temp. (T1)	Time. (t1)			Temp. (T3)	Time. (t2)		
LQG15H/18H LQW04A/15A/18A/21H LQW2BA/2UA LQP02T/03T/15M/18M LQW2BH/31H LQH31H	220°C	30 to 60s	245±3°C	2 times max.	230°C	60s max.	260°C/10s	2 times max.

- (3) Reworking with Soldering Iron *Except LQP02T Series
 Preheating at 150°C for 1 minute is required. Do not directly touch the ceramic element with the tip of the soldering iron. The reworking soldering conditions are as follows:
 Soldering iron power output: 80W max.
 Temperature of soldering iron tip: 350°C
 Diameter of soldering iron end: 3.0mm max.
 Soldering time: within 3 s

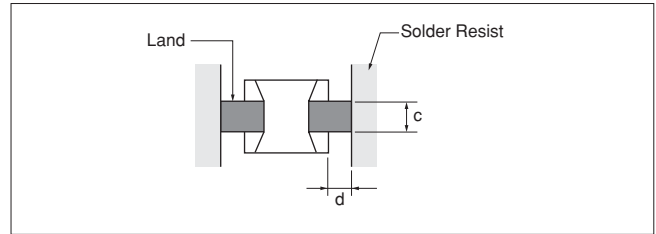
Continued on the following page.

⚠Note • Please read rating and ⚠CAUTION (for storage, operating, rating, soldering, mounting and handling) in this catalog to prevent smoking and/or burning, etc.
 • This catalog has only typical specifications. Therefore, please approve our product specifications or transact the approval sheet for product specifications before ordering.

3. Mounting Instructions

(1) Land Pattern Dimensions

Large lands reduce Q of the mounted chip. Also, large protruding land areas (bordered by lines having dimensions 'c' and 'd' shown) cause floating and electrode leaching.

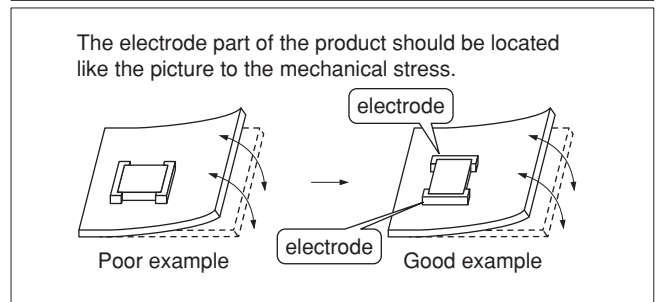
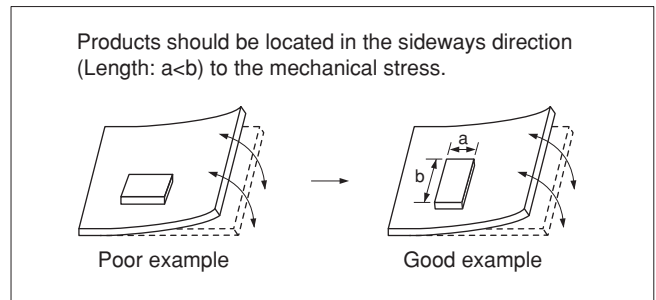


(2) Land Pattern Designing (LQW series)

Please follow the recommended patterns. Otherwise, their performance which includes electrical performance or solderability may be affected, or result to "position shift" in soldering process.

(3) PCB Warping

PCB should be designed so that products are not subjected to the mechanical stress caused by warping the board.



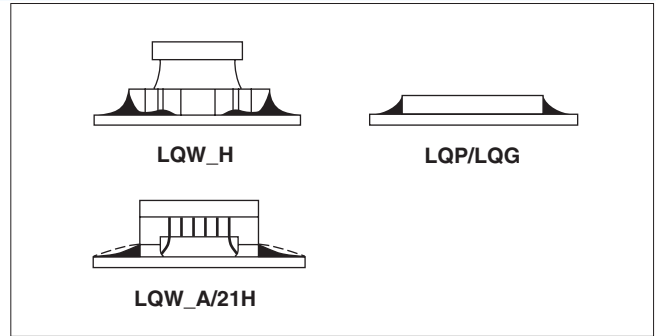
Continued on the following page. ↗

⚠Note • Please read rating and ⚠CAUTION (for storage, operating, rating, soldering, mounting and handling) in this catalog to prevent smoking and/or burning, etc.
 • This catalog has only typical specifications. Therefore, please approve our product specifications or transact the approval sheet for product specifications before ordering.

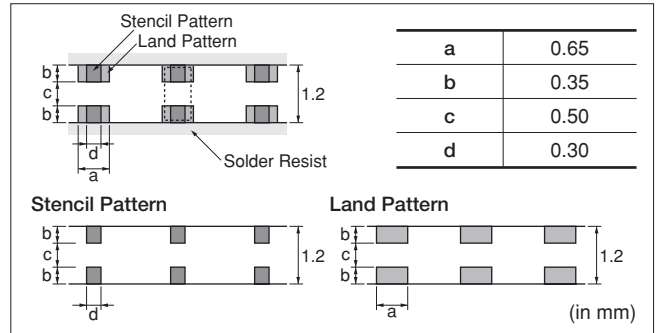
Inductor for Power Lines (Power Inductor)
 Inductor for Low Frequency Circuits
 RF Inductor
 Soldering and Mounting

(4) Amount of Solder Paste
 Excessive solder causes electrode corrosion, while insufficient solder causes low electrode bonding strength. Adjust the amount of solder paste as shown on the right so that solder is applied.

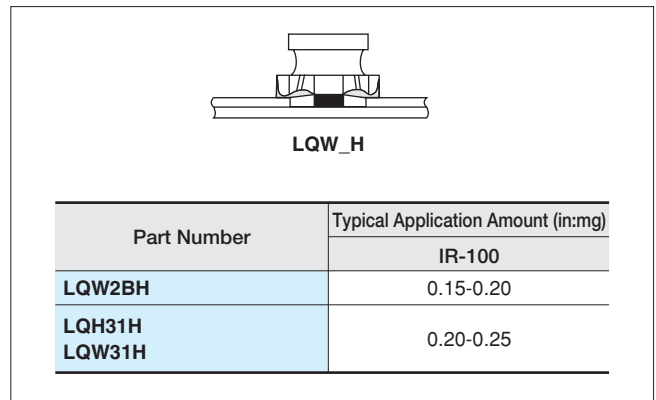
- Guideline of solder paste thickness
 - LQP (Except LQP02T), LQG, LQW15A/18A/21H/2BA/2UA: 100 to 150μm
 - LQP02T: 50 to 80μm
 - LQW04A: 80 to 100μm
 - LQW_H: 200 to 300μm



LQW15A Series:
 Too much solder may cause slant or rotation of chip at the time of solder melting. Please reduce the amount of solder by using smaller solder area than land pattern, as shown in figure at right.



(5) Amount of Adhesive
 If too much adhesive is applied, then it may overflow into the land or termination areas and yield poor solderability. In contrast, if insufficient adhesive is applied, or if the adhesive is not sufficiently hardened, then the chip may become detached during flow soldering. Apply the adhesive in accordance with the conditions shown in chart.



4. Cleaning

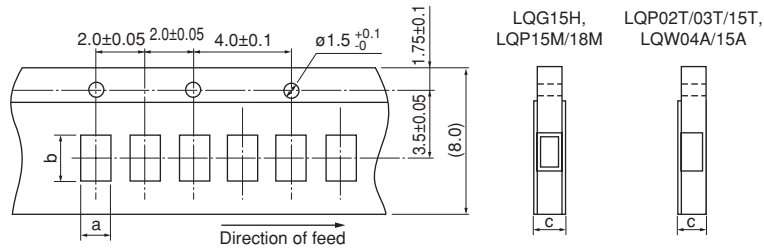
The following conditions should be observed when cleaning chip inductors (chip coils):

- (1) Cleaning Temperature: 60°C max. (40°C max. for alcohol cleaning agents)
- (2) Ultrasonic
 - Output: 20W/l max.
 - Duration: 5 minutes max.
 - Frequency: 28 to 40kHz
 - Care should be taken not to cause resonance of the PCB and mounted products.
- (3) Cleaning agent
 - The following cleaning agents have been tested on individual components. Evaluation in complete assembly should be done prior to production.
 - (a) Alcohol cleaning agents
 - Isopropyl alcohol (IPA)
 - (b) Aqueous cleaning agents
 - Pine Alpha ST-100S

- (4) Ensure that flux residue is completely removed. Component should be thoroughly dried after aqueous agents have been removed with deionized water.
- For additional cleaning methods, please contact Murata.

△Note • Please read rating and ⚠CAUTION (for storage, operating, rating, soldering, mounting and handling) in this catalog to prevent smoking and/or burning, etc.
 • This catalog has only typical specifications. Therefore, please approve our product specifications or transact the approval sheet for product specifications before ordering.

Minimum Quantity and 8mm Width Taping Dimensions



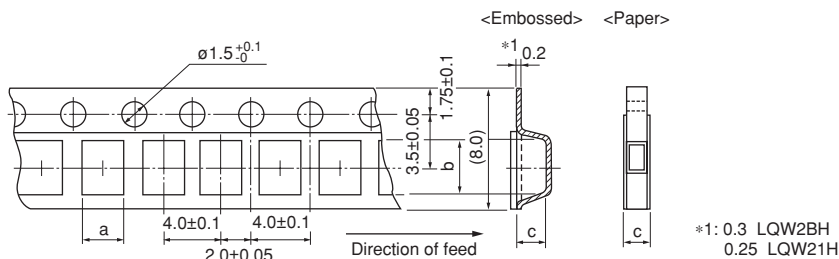
Paper Tape

Part Number	Dimensions			Total Thickness of Tape	Packaging Code (Minimum Qty. [pcs.])		
	a	b	c		ø180mm reel	ø330mm reel	Bulk
LQG15H	0.62	1.12	0.8 max.	D [10000]	J [50000]	B [1000]	
LQP02T	0.24	0.455	0.39 max.	D [20000]	-	B [500]	
LQP03T *1	0.35	0.65/0.67	0.55 max.	D [15000]	J [50000]	B [500]	
LQP15M	0.70	1.20	0.8 max.	D [10000]	J [50000]	B [500]	
LQP18M	1.19	2.0	0.8 max.	D [4000]	J [10000]	B [500]	
LQW04A	0.50	0.905	0.75 max.	D [10000]	-	B [500]	
LQW15A_00 *2	0.64/0.66/0.69	1.18	0.8 max.	D [10000]	-	B [500]	
LQW15A_10 *3	0.66/0.69	1.18	0.8 max.	D [10000]	-	B [500]	

- *1 0.67 (LQP03TG · LQP03TN_02; 0.6-62nH, 150-270nH)
0.65 (LQP03TN_02; 68-120nH)
- *2 0.69 (1.5-2.7nH, 3.9-4.7nH, 5.8-6.8nH, 8.2-9.5nH, 11nH, 12nH, 15nH)
0.66 (2.9nH, 5.1nH, 7.3nH, 7.5nH, 10nH, 13nH, 16-23nH, 100nH, 120nH)
0.64 (24-91nH)
- *3 0.69 (1.3nH)
0.66 (2.2-5.6nH)

(in mm)

Minimum Quantity and 8mm Width Taping Dimensions



Dimension of the cavity of embossed tape is measured at the bottom side.

Paper Tape

Part Number	Dimensions			Total Thickness of Tape	Packaging Code (Minimum Qty. [pcs.])		
	a	b	c		ø180mm reel	ø330mm reel	Bulk
LQG18H	1.05	1.85	1.1 max.	D [4000]	J [10000]	B [1000]	
LQW18A_00	1.0	1.8	1.1 max.	D [4000]	J [10000]	B [500]	
LQW18A_10	1.1	1.9	1.1 max.	D [4000]	J [10000]	B [500]	

Embossed Tape

Part Number	Dimensions			Depth of Cavity	Packaging Code (Minimum Qty. [pcs.])		
	a	b	c		ø180mm reel	ø330mm reel	Bulk
LQH31H, LQW31H	1.9	3.6	2.0	L [2000]	K [7500]	-	
LQW21H	1.55	2.3	1.1	L [3000]	-	B [500]	
LQW2BH	1.75	2.3	2.0	L [2000]	K [7500]	-	
LQW2BA	1.8	2.3	1.65	L [2000]	-	-	
LQW2UA	2.7	2.8	2.15	L [2000]	-	-	

(in mm)

△Note • Please read rating and △CAUTION (for storage, operating, rating, soldering, mounting and handling) in this catalog to prevent smoking and/or burning, etc.
• This catalog has only typical specifications. Therefore, please approve our product specifications or transact the approval sheet for product specifications before ordering.

■ Holder Type



●EKLMQ15SC (High Frequency Multilayer Type)

No.	Part Number	Quantity (pcs.)	Inductance		Q (min.)	DC Resistance (Ω) max.	Rated Current (mA)
			Nominal	Tolerance			
1	LQG15HS1N0S02	10	1.0nH	±0.3nH	8	0.07	300
2	LQG15HS1N1S02	10	1.1nH	±0.3nH	8	0.09	300
3	LQG15HS1N2S02	10	1.2nH	±0.3nH	8	0.09	300
4	LQG15HS1N3S02	10	1.3nH	±0.3nH	8	0.09	300
5	LQG15HS1N5S02	10	1.5nH	±0.3nH	8	0.10	300
6	LQG15HS1N6S02	10	1.6nH	±0.3nH	8	0.10	300
7	LQG15HS1N8S02	10	1.8nH	±0.3nH	8	0.10	300
8	LQG15HS2N0S02	10	2.0nH	±0.3nH	8	0.10	300
9	LQG15HS2N2S02	10	2.2nH	±0.3nH	8	0.12	300
10	LQG15HS2N4S02	10	2.4nH	±0.3nH	8	0.15	300
11	LQG15HS2N7S02	10	2.7nH	±0.3nH	8	0.15	300
12	LQG15HS3N0S02	10	3.0nH	±0.3nH	8	0.17	300
13	LQG15HS3N3S02	10	3.3nH	±0.3nH	8	0.17	300
14	LQG15HS3N6S02	10	3.6nH	±0.3nH	8	0.18	300
15	LQG15HS3N9S02	10	3.9nH	±0.3nH	8	0.18	300
16	LQG15HS4N3S02	10	4.3nH	±0.3nH	8	0.18	300
17	LQG15HS4N7S02	10	4.7nH	±0.3nH	8	0.18	300
18	LQG15HS5N1S02	10	5.1nH	±0.3nH	8	0.20	300
19	LQG15HS5N6S02	10	5.6nH	±0.3nH	8	0.20	300
20	LQG15HS6N2S02	10	6.2nH	±0.3nH	8	0.22	300
21	LQG15HS6N8J02	10	6.8nH	±5%	8	0.24	300
22	LQG15HS7N5J02	10	7.5nH	±5%	8	0.24	300
23	LQG15HS8N2J02	10	8.2nH	±5%	8	0.24	300
24	LQG15HS9N1J02	10	9.1nH	±5%	8	0.26	300
25	LQG15HS10NJ02	10	10nH	±5%	8	0.26	300
26	LQG15HS12NJ02	10	12nH	±5%	8	0.28	300
27	LQG15HS15NJ02	10	15nH	±5%	8	0.32	300
28	LQG15HS18NJ02	10	18nH	±5%	8	0.36	300
29	LQG15HS22NJ02	10	22nH	±5%	8	0.42	300
30	LQG15HS27NJ02	10	27nH	±5%	8	0.46	300
31	LQG15HS33NJ02	10	33nH	±5%	8	0.58	200
32	LQG15HS39NJ02	10	39nH	±5%	8	0.65	200
33	LQG15HS47NJ02	10	47nH	±5%	8	0.72	200
34	LQG15HS56NJ02	10	56nH	±5%	8	0.82	200
35	LQG15HS68NJ02	10	68nH	±5%	8	0.92	180
36	LQG15HS82NJ02	10	82nH	±5%	8	1.20	150
37	LQG15HSR10J02	10	100nH	±5%	8	1.25	150
38	LQG15HSR12J02	10	120nH	±5%	8	1.30	150
39	LQG15HSR15J02	10	150nH	±5%	8	2.99	140
40	LQG15HSR18J02	10	180nH	±5%	8	3.38	130
41	LQG15HSR22J02	10	220nH	±5%	8	3.77	120
42	LQG15HSR27J02	10	270nH	±5%	8	4.94	110

●EKLMQG18B (High Frequency Multilayer Type)

No.	Part Number	Quantity (pcs.)	Inductance		Q (min.)	DC Resistance (Ω) max.	Rated Current (mA)
			Nominal	Tolerance			
1	LQG18HN1N2S00	10	1.2nH	±0.3nH	12	0.10	500
2	LQG18HN1N5S00	10	1.5nH	±0.3nH	12	0.10	500
3	LQG18HN1N8S00	10	1.8nH	±0.3nH	12	0.10	500
4	LQG18HN2N2S00	10	2.2nH	±0.3nH	12	0.10	500
5	LQG18HN2N7S00	10	2.7nH	±0.3nH	12	0.15	500
6	LQG18HN3N3S00	10	3.3nH	±0.3nH	12	0.15	500
7	LQG18HN3N9S00	10	3.9nH	±0.3nH	12	0.15	450
8	LQG18HN4N7S00	10	4.7nH	±0.3nH	12	0.20	450
9	LQG18HN5N6S00	10	5.6nH	±0.3nH	12	0.20	430

Continued on the following page. ↗

△Note • Please read rating and △CAUTION (for storage, operating, rating, soldering, mounting and handling) in this catalog to prevent smoking and/or burning, etc.
 • This catalog has only typical specifications. Therefore, please approve our product specifications or transact the approval sheet for product specifications before ordering.

Continued from the preceding page.

No.	Part Number	Quantity (pcs.)	Inductance		Q (min.)	DC Resistance (Ω) max.	Rated Current (mA)
			Nominal	Tolerance			
10	LQG18HN6N8J00	10	6.8nH	±5%	12	0.25	430
11	LQG18HN8N2J00	10	8.2nH	±5%	12	0.25	400
12	LQG18HN10NJ00	10	10nH	±5%	12	0.30	400
13	LQG18HN12NJ00	10	12nH	±5%	12	0.35	400
14	LQG18HN15NJ00	10	15nH	±5%	12	0.40	350
15	LQG18HN18NJ00	10	18nH	±5%	12	0.45	350
16	LQG18HN22NJ00	10	22nH	±5%	12	0.50	300
17	LQG18HN27NJ00	10	27nH	±5%	12	0.55	300
18	LQG18HN33NJ00	10	33nH	±5%	12	0.60	300
19	LQG18HN39NJ00	10	39nH	±5%	12	0.65	300
20	LQG18HN47NJ00	10	47nH	±5%	12	0.70	300
21	LQG18HN56NJ00	10	56nH	±5%	12	0.75	300
22	LQG18HN68NJ00	10	68nH	±5%	12	0.80	300
23	LQG18HN82NJ00	10	82nH	±5%	12	0.85	300
24	LQG18HNR10J00	10	100nH	±5%	12	0.90	300

●EKMQP02E (High Frequency Film Type)

No.	Part Number	Quantity (pcs.)	Inductance		Q (min.)	DC Resistance (Ω) max.	Rated Current (mA)
			Nominal	Tolerance			
1	LQP02TN0N2B02	10	0.2nH	±0.1nH	-	0.50	320
2	LQP02TN0N3B02	10	0.3nH	±0.1nH	-	0.50	320
3	LQP02TN0N4B02	10	0.4nH	±0.1nH	8	0.50	320
4	LQP02TN0N5B02	10	0.5nH	±0.1nH	8	0.50	320
5	LQP02TN0N6B02	10	0.6nH	±0.1nH	8	0.50	320
6	LQP02TN0N7B02	10	0.7nH	±0.1nH	8	0.50	320
7	LQP02TN0N8B02	10	0.8nH	±0.1nH	8	0.50	320
8	LQP02TN0N9B02	10	0.9nH	±0.1nH	8	0.50	320
9	LQP02TN1N0B02	10	1.0nH	±0.1nH	8	0.60	220
10	LQP02TN1N1B02	10	1.1nH	±0.1nH	8	0.60	220
11	LQP02TN1N2B02	10	1.2nH	±0.1nH	8	0.60	220
12	LQP02TN1N3B02	10	1.3nH	±0.1nH	8	0.60	220
13	LQP02TN1N4B02	10	1.4nH	±0.1nH	8	0.60	220
14	LQP02TN1N5B02	10	1.5nH	±0.1nH	8	0.60	220
15	LQP02TN1N6B02	10	1.6nH	±0.1nH	8	0.60	220
16	LQP02TN1N7B02	10	1.7nH	±0.1nH	8	0.70	200
17	LQP02TN1N8B02	10	1.8nH	±0.1nH	8	0.70	200
18	LQP02TN1N9B02	10	1.9nH	±0.1nH	8	0.75	200
19	LQP02TN2N0B02	10	2.0nH	±0.1nH	8	0.75	200
20	LQP02TN2N1B02	10	2.1nH	±0.1nH	8	0.75	200
21	LQP02TN2N2B02	10	2.2nH	±0.1nH	8	0.75	200
22	LQP02TN2N3B02	10	2.3nH	±0.1nH	8	0.75	200
23	LQP02TN2N4B02	10	2.4nH	±0.1nH	8	0.75	200
24	LQP02TN2N5B02	10	2.5nH	±0.1nH	8	0.80	200
25	LQP02TN2N6B02	10	2.6nH	±0.1nH	8	0.80	200
26	LQP02TN2N7B02	10	2.7nH	±0.1nH	8	0.80	200
27	LQP02TN2N8B02	10	2.8nH	±0.1nH	8	1.10	200
28	LQP02TN2N9B02	10	2.9nH	±0.1nH	8	1.10	200
29	LQP02TN3N0B02	10	3.0nH	±0.1nH	8	1.10	200
30	LQP02TN3N1B02	10	3.1nH	±0.1nH	8	1.30	180
31	LQP02TN3N2B02	10	3.2nH	±0.1nH	8	1.30	180
32	LQP02TN3N3B02	10	3.3nH	±0.1nH	8	1.30	180
33	LQP02TN3N4B02	10	3.4nH	±0.1nH	8	1.30	180
34	LQP02TN3N5B02	10	3.5nH	±0.1nH	8	1.30	180
35	LQP02TN3N6B02	10	3.6nH	±0.1nH	8	1.30	180
36	LQP02TN3N7B02	10	3.7nH	±0.1nH	8	1.30	180
37	LQP02TN3N8B02	10	3.8nH	±0.1nH	8	1.30	180
38	LQP02TN3N9B02	10	3.9nH	±0.1nH	8	1.30	180
39	LQP02TN4N0B02	10	4.0nH	±0.1nH	8	1.30	180
40	LQP02TN4N1B02	10	4.1nH	±0.1nH	8	1.30	180
41	LQP02TN4N2B02	10	4.2nH	±0.1nH	8	1.30	180
42	LQP02TN4N3H02	10	4.3nH	±3%	8	1.30	180
43	LQP02TN4N7H02	10	4.7nH	±3%	8	1.50	160
44	LQP02TN5N1H02	10	5.1nH	±3%	8	1.50	160
45	LQP02TN5N6H02	10	5.6nH	±3%	8	1.80	140
46	LQP02TN6N2H02	10	6.2nH	±3%	8	1.80	140

Continued on the following page. ↗

△Note • Please read rating and △CAUTION (for storage, operating, rating, soldering, mounting and handling) in this catalog to prevent smoking and/or burning, etc.
 • This catalog has only typical specifications. Therefore, please approve our product specifications or transact the approval sheet for product specifications before ordering.

Continued from the preceding page.

No.	Part Number	Quantity (pcs.)	Inductance		Q (min.)	DC Resistance (Ω) max.	Rated Current (mA)
			Nominal	Tolerance			
47	LQP02TN6N8H02	10	6.8nH	±3%	8	2.00	140
48	LQP02TN7N5H02	10	7.5nH	±3%	8	2.00	140
49	LQP02TN8N2H02	10	8.2nH	±3%	8	2.10	140
50	LQP02TN9N1H02	10	9.1nH	±3%	8	2.10	140
51	LQP02TN10NH02	10	10nH	±3%	8	2.50	140
52	LQP02TN11NH02	10	11nH	±3%	7	2.80	140
53	LQP02TN12NH02	10	12nH	±3%	7	2.80	140
54	LQP02TN13NH02	10	13nH	±3%	7	3.20	140
55	LQP02TN15NH02	10	15nH	±3%	7	3.20	140
56	LQP02TN16NH02	10	16nH	±3%	7	3.50	140
57	LQP02TN18NH02	10	18nH	±3%	7	3.50	140
58	LQP02TN20NH02	10	20nH	±3%	6	5.00	100

●EKLMP3GB (High Frequency Film Type)

No.	Part Number	Quantity (pcs.)	Inductance		Q (min.)	DC Resistance (Ω) max.	Rated Current (mA)
			Nominal	Tolerance			
1	LQP03TG0N6B02	10	0.6nH	±0.1nH	11	0.08	850
2	LQP03TG0N7B02	10	0.7nH	±0.1nH	12	0.10	750
3	LQP03TG0N8B02	10	0.8nH	±0.1nH	12	0.10	750
4	LQP03TG0N9B02	10	0.9nH	±0.1nH	12	0.12	700
5	LQP03TG1N0B02	10	1.0nH	±0.1nH	12	0.15	600
6	LQP03TG1N1B02	10	1.1nH	±0.1nH	12	0.15	600
7	LQP03TG1N2B02	10	1.2nH	±0.1nH	13	0.15	600
8	LQP03TG1N3B02	10	1.3nH	±0.1nH	13	0.15	600
9	LQP03TG1N4B02	10	1.4nH	±0.1nH	13	0.15	600
10	LQP03TG1N5B02	10	1.5nH	±0.1nH	13	0.15	600
11	LQP03TG1N6B02	10	1.6nH	±0.1nH	13	0.15	600
12	LQP03TG1N7B02	10	1.7nH	±0.1nH	13	0.20	500
13	LQP03TG1N8B02	10	1.8nH	±0.1nH	13	0.20	500
14	LQP03TG1N9B02	10	1.9nH	±0.1nH	13	0.25	450
15	LQP03TG2N0B02	10	2.0nH	±0.1nH	13	0.25	450
16	LQP03TG2N1B02	10	2.1nH	±0.1nH	13	0.25	450
17	LQP03TG2N2B02	10	2.2nH	±0.1nH	13	0.25	450
18	LQP03TG2N3B02	10	2.3nH	±0.1nH	13	0.25	450
19	LQP03TG2N4B02	10	2.4nH	±0.1nH	13	0.25	450
20	LQP03TG2N5B02	10	2.5nH	±0.1nH	13	0.25	450
21	LQP03TG2N6B02	10	2.6nH	±0.1nH	13	0.25	450
22	LQP03TG2N7B02	10	2.7nH	±0.1nH	13	0.25	450
23	LQP03TG2N8B02	10	2.8nH	±0.1nH	13	0.25	450
24	LQP03TG2N9B02	10	2.9nH	±0.1nH	13	0.25	450
25	LQP03TG3N0B02	10	3.0nH	±0.1nH	13	0.25	450
26	LQP03TG3N1B02	10	3.1nH	±0.1nH	13	0.32	400
27	LQP03TG3N2B02	10	3.2nH	±0.1nH	13	0.32	400
28	LQP03TG3N3B02	10	3.3nH	±0.1nH	13	0.32	400
29	LQP03TG3N4B02	10	3.4nH	±0.1nH	13	0.35	350
30	LQP03TG3N5B02	10	3.5nH	±0.1nH	13	0.35	350
31	LQP03TG3N6B02	10	3.6nH	±0.1nH	13	0.35	350
32	LQP03TG3N7B02	10	3.7nH	±0.1nH	13	0.35	350
33	LQP03TG3N8B02	10	3.8nH	±0.1nH	13	0.35	350
34	LQP03TG3N9B02	10	3.9nH	±0.1nH	13	0.35	350
35	LQP03TG4N3H02	10	4.3nH	±3%	13	0.58	300
36	LQP03TG4N7H02	10	4.7nH	±3%	12	0.72	250
37	LQP03TG5N1H02	10	5.1nH	±3%	12	0.72	250
38	LQP03TG5N6H02	10	5.6nH	±3%	12	0.88	250
39	LQP03TG6N2H02	10	6.2nH	±3%	12	1.15	200
40	LQP03TG6N8H02	10	6.8nH	±3%	12	1.15	200
41	LQP03TG7N5H02	10	7.5nH	±3%	12	1.22	200
42	LQP03TG8N2H02	10	8.2nH	±3%	12	1.40	200
43	LQP03TG9N1H02	10	9.1nH	±3%	11	1.40	200
44	LQP03TG10NH02	10	10nH	±3%	11	1.52	190
45	LQP03TG12NH02	10	12nH	±3%	11	1.78	180
46	LQP03TG15NH02	10	15nH	±3%	11	1.90	170
47	LQP03TG18NH02	10	18nH	±3%	11	2.28	160
48	LQP03TG22NH02	10	22nH	±3%	9	2.85	140

Continued on the following page.

Note • Please read rating and CAUTION (for storage, operating, rating, soldering, mounting and handling) in this catalog to prevent smoking and/or burning, etc.
 • This catalog has only typical specifications. Therefore, please approve our product specifications or transact the approval sheet for product specifications before ordering.

Continued from the preceding page.

●EKLMP3AA (High Frequency Film Type)

No.	Part Number	Quantity (pcs.)	Inductance		Q (min.)	DC Resistance (Ω) max.	Rated Current (mA)
			Nominal	Tolerance			
1	LQP03TN0N6B02	10	0.6nH	±0.1nH	14	0.07	850
2	LQP03TN0N7B02	10	0.7nH	±0.1nH	14	0.08	800
3	LQP03TN0N8B02	10	0.8nH	±0.1nH	14	0.08	800
4	LQP03TN0N9B02	10	0.9nH	±0.1nH	14	0.10	750
5	LQP03TN1N0B02	10	1.0nH	±0.1nH	14	0.10	750
6	LQP03TN1N1B02	10	1.1nH	±0.1nH	14	0.10	750
7	LQP03TN1N2B02	10	1.2nH	±0.1nH	14	0.10	750
8	LQP03TN1N3B02	10	1.3nH	±0.1nH	14	0.15	600
9	LQP03TN1N4B02	10	1.4nH	±0.1nH	14	0.15	600
10	LQP03TN1N5B02	10	1.5nH	±0.1nH	14	0.15	600
11	LQP03TN1N6B02	10	1.6nH	±0.1nH	14	0.15	600
12	LQP03TN1N7B02	10	1.7nH	±0.1nH	14	0.15	600
13	LQP03TN1N8B02	10	1.8nH	±0.1nH	14	0.15	600
14	LQP03TN1N9B02	10	1.9nH	±0.1nH	14	0.15	600
15	LQP03TN2N0B02	10	2.0nH	±0.1nH	14	0.15	600
16	LQP03TN2N1B02	10	2.1nH	±0.1nH	14	0.15	600
17	LQP03TN2N2B02	10	2.2nH	±0.1nH	14	0.15	600
18	LQP03TN2N3B02	10	2.3nH	±0.1nH	14	0.20	500
19	LQP03TN2N4B02	10	2.4nH	±0.1nH	14	0.20	500
20	LQP03TN2N5B02	10	2.5nH	±0.1nH	14	0.20	500
21	LQP03TN2N6B02	10	2.6nH	±0.1nH	14	0.20	500
22	LQP03TN2N7B02	10	2.7nH	±0.1nH	14	0.20	500
23	LQP03TN2N8B02	10	2.8nH	±0.1nH	14	0.20	500
24	LQP03TN2N9B02	10	2.9nH	±0.1nH	14	0.20	500
25	LQP03TN3N0B02	10	3.0nH	±0.1nH	14	0.25	450
26	LQP03TN3N1B02	10	3.1nH	±0.1nH	14	0.25	450
27	LQP03TN3N2B02	10	3.2nH	±0.1nH	14	0.25	450
28	LQP03TN3N3B02	10	3.3nH	±0.1nH	14	0.25	450
29	LQP03TN3N4B02	10	3.4nH	±0.1nH	14	0.25	450
30	LQP03TN3N5B02	10	3.5nH	±0.1nH	14	0.25	450
31	LQP03TN3N6B02	10	3.6nH	±0.1nH	14	0.30	400
32	LQP03TN3N7B02	10	3.7nH	±0.1nH	14	0.30	400
33	LQP03TN3N8B02	10	3.8nH	±0.1nH	14	0.30	400
34	LQP03TN3N9B02	10	3.9nH	±0.1nH	14	0.30	400
35	LQP03TN4N0B02	10	4.0nH	±0.1nH	14	0.40	350
36	LQP03TN4N1B02	10	4.1nH	±0.1nH	14	0.40	350
37	LQP03TN4N2B02	10	4.2nH	±0.1nH	14	0.40	350
38	LQP03TN4N3H02	10	4.3nH	±3%	14	0.40	350
39	LQP03TN4N7H02	10	4.7nH	±3%	14	0.40	350
40	LQP03TN5N1H02	10	5.1nH	±3%	14	0.40	350
41	LQP03TN5N6H02	10	5.6nH	±3%	14	0.40	350
42	LQP03TN6N2H02	10	6.2nH	±3%	14	0.60	300
43	LQP03TN6N8H02	10	6.8nH	±3%	14	0.60	300
44	LQP03TN7N5H02	10	7.5nH	±3%	14	0.60	300
45	LQP03TN8N2H02	10	8.2nH	±3%	14	0.70	250
46	LQP03TN9N1H02	10	9.1nH	±3%	14	0.70	250
47	LQP03TN10NH02	10	10nH	±3%	14	0.70	250
48	LQP03TN11NH02	10	11nH	±3%	14	0.80	250
49	LQP03TN12NH02	10	12nH	±3%	12	0.70	250
50	LQP03TN13NH02	10	13nH	±3%	12	0.80	250
51	LQP03TN15NH02	10	15nH	±3%	12	0.70	250
52	LQP03TN16NH02	10	16nH	±3%	12	0.95	200
53	LQP03TN18NH02	10	18nH	±3%	12	0.80	200
54	LQP03TN20NH02	10	20nH	±3%	12	2.30	150

●EKLMP3BA (High Frequency Film Type)

No.	Part Number	Quantity (pcs.)	Inductance		Q (min.)	DC Resistance (Ω) max.	Rated Current (mA)
			Nominal	Tolerance			
1	LQP03TN22NH02	10	22nH	±3%	12	1.90	150
2	LQP03TN24NH02	10	24nH	±3%	12	2.30	140
3	LQP03TN27NH02	10	27nH	±3%	12	2.30	140
4	LQP03TN30NH02	10	30nH	±3%	9	2.95	120
5	LQP03TN33NJ02	10	33nH	±5%	9	2.95	120

Continued on the following page. ↗

△Note • Please read rating and △CAUTION (for storage, operating, rating, soldering, mounting and handling) in this catalog to prevent smoking and/or burning, etc.
 • This catalog has only typical specifications. Therefore, please approve our product specifications or transact the approval sheet for product specifications before ordering.

Inductor for Power Lines (Power Inductor)
 Inductor for Low Frequency Circuits
 RF Inductor
 Design Kits

Continued from the preceding page.

No.	Part Number	Quantity (pcs.)	Inductance		Q (min.)	DC Resistance (Ω) max.	Rated Current (mA)
			Nominal	Tolerance			
6	LQP03TN36NJ02	10	36nH	±5%	9	3.00	120
7	LQP03TN39NJ02	10	39nH	±5%	9	3.00	120
8	LQP03TN43NJ02	10	43nH	±5%	9	3.60	100
9	LQP03TN47NJ02	10	47nH	±5%	9	3.60	100
10	LQP03TN51NJ02	10	51nH	±5%	9	3.90	100
11	LQP03TN56NJ02	10	56nH	±5%	9	3.90	100
12	LQP03TN62NJ02	10	62nH	±5%	8	8	100
13	LQP03TN68NJ02	10	68nH	±5%	8	8	100
14	LQP03TN82NJ02	10	82nH	±5%	8	10	100
15	LQP03TNR10J02	10	100nH	±5%	8	10	80
16	LQP03TNR12J02	10	120nH	±5%	8	12	80
17	LQP03TNR15J02	10	150nH	±5%	5	9	80
18	LQP03TNR18J02	10	180nH	±5%	5	11	70
19	LQP03TNR22J02	10	220nH	±5%	5	13	60
20	LQP03TNR27J02	10	270nH	±5%	5	15	60

●EKLMP15B (High Frequency Film Type)

No.	Part Number	Quantity (pcs.)	Inductance		Q (min.)	DC Resistance (Ω) max.	Rated Current (mA)
			Nominal	Tolerance			
1	LQP15MN1N0B02	10	1.0nH	±0.1nH	13	0.1	400
2	LQP15MN1N1B02	10	1.1nH	±0.1nH	13	0.1	390
3	LQP15MN1N2B02	10	1.2nH	±0.1nH	13	0.1	390
4	LQP15MN1N3B02	10	1.3nH	±0.1nH	13	0.2	280
5	LQP15MN1N5B02	10	1.5nH	±0.1nH	13	0.2	280
6	LQP15MN1N6B02	10	1.6nH	±0.1nH	13	0.3	220
7	LQP15MN1N8B02	10	1.8nH	±0.1nH	13	0.2	280
8	LQP15MN2N0B02	10	2.0nH	±0.1nH	13	0.3	220
9	LQP15MN2N2B02	10	2.2nH	±0.1nH	13	0.3	220
10	LQP15MN2N4B02	10	2.4nH	±0.1nH	13	0.3	220
11	LQP15MN2N7B02	10	2.7nH	±0.1nH	13	0.3	220
12	LQP15MN3N0B02	10	3.0nH	±0.1nH	13	0.4	190
13	LQP15MN3N3B02	10	3.3nH	±0.1nH	13	0.4	190
14	LQP15MN3N6B02	10	3.6nH	±0.1nH	13	0.5	170
15	LQP15MN3N9B02	10	3.9nH	±0.1nH	13	0.5	170
16	LQP15MN4N3B02	10	4.3nH	±0.1nH	13	0.6	160
17	LQP15MN4N7B02	10	4.7nH	±0.1nH	13	0.6	160
18	LQP15MN5N1B02	10	5.1nH	±0.1nH	13	0.7	140
19	LQP15MN5N6B02	10	5.6nH	±0.1nH	13	0.7	140
20	LQP15MN6N2B02	10	6.2nH	±0.1nH	13	0.9	130
21	LQP15MN6N8B02	10	6.8nH	±0.1nH	13	0.9	130
22	LQP15MN7N5B02	10	7.5nH	±0.1nH	13	1.1	110
23	LQP15MN8N2B02	10	8.2nH	±0.1nH	13	1.1	110
24	LQP15MN9N1B02	10	9.1nH	±0.1nH	13	1.3	100
25	LQP15MN10NG02	10	10nH	±2%	13	1.3	100
26	LQP15MN12NG02	10	12nH	±2%	13	1.6	90
27	LQP15MN15NG02	10	15nH	±2%	13	1.8	90
28	LQP15MN18NG02	10	18nH	±2%	13	2.0	80
29	LQP15MN22NG02	10	22nH	±2%	13	2.6	70
30	LQP15MN27NG02	10	27nH	±2%	13	3.1	70
31	LQP15MN33NG02	10	33nH	±2%	13	3.8	60

●EKLQW04D (High Frequency Wire Wound Type)

No.	Part Number	Quantity (pcs.)	Inductance		Q (min.)	DC Resistance (Ω) max.	Rated Current (mA)
			Nominal	Tolerance			
1	LQW04AN1N1C00	10	1.1nH	±0.2nH	15	0.03	990
2	LQW04AN1N8C00	10	1.8nH	±0.2nH	15	0.06	700
3	LQW04AN2N7C00	10	2.7nH	±0.2nH	15	0.07	570
4	LQW04AN3N0C00	10	3.0nH	±0.2nH	15	0.07	620
5	LQW04AN3N3C00	10	3.3nH	±0.2nH	10	0.14	440
6	LQW04AN3N6C00	10	3.6nH	±0.2nH	15	0.10	530
7	LQW04AN3N9C00	10	3.9nH	±0.2nH	15	0.10	530
8	LQW04AN4N3C00	10	4.3nH	±0.2nH	15	0.10	530
9	LQW04AN4N7C00	10	4.7nH	±0.2nH	20	0.14	440
10	LQW04AN5N1C00	10	5.1nH	±0.2nH	20	0.12	470
11	LQW04AN5N6C00	10	5.6nH	±0.2nH	20	0.12	470

Continued on the following page. ↗

△Note • Please read rating and △CAUTION (for storage, operating, rating, soldering, mounting and handling) in this catalog to prevent smoking and/or burning, etc.
 • This catalog has only typical specifications. Therefore, please approve our product specifications or transact the approval sheet for product specifications before ordering.

Continued from the preceding page.

No.	Part Number	Quantity (pcs.)	Inductance		Q (min.)	DC Resistance (Ω) max.	Rated Current (mA)
			Nominal	Tolerance			
12	LQW04AN6N2C00	10	6.2nH	±0.2nH	20	0.19	390
13	LQW04AN6N8C00	10	6.8nH	±0.2nH	20	0.14	440
14	LQW04AN7N5C00	10	7.5nH	±0.2nH	20	0.14	440
15	LQW04AN8N2C00	10	8.2nH	±0.2nH	20	0.23	350
16	LQW04AN9N1C00	10	9.1nH	±0.2nH	20	0.16	400
17	LQW04AN10NH00	10	10nH	±3%	20	0.26	330
18	LQW04AN11NH00	10	11nH	±3%	15	0.28	310
19	LQW04AN12NH00	10	12nH	±3%	15	0.28	310
20	LQW04AN13NH00	10	13nH	±3%	15	0.34	280
21	LQW04AN15NH00	10	15nH	±3%	15	0.48	240
22	LQW04AN16NH00	10	16nH	±3%	15	0.38	270
23	LQW04AN18NH00	10	18nH	±3%	15	0.54	220
24	LQW04AN19NH00	10	19nH	±3%	15	0.73	160
25	LQW04AN20NH00	10	20nH	±3%	15	0.56	210
26	LQW04AN22NH00	10	22nH	±3%	15	0.63	200
27	LQW04AN23NH00	10	23nH	±3%	15	0.95	160
28	LQW04AN24NH00	10	24nH	±3%	15	0.95	160
29	LQW04AN25NH00	10	25nH	±3%	15	0.95	160
30	LQW04AN27NH00	10	27nH	±3%	15	0.95	160
31	LQW04AN33NH00	10	33nH	±3%	15	1.11	140

●EKLQW15K (High Frequency Wire Wound Type)

No.	Part Number	Quantity (pcs.)	Inductance		Q (min.)	DC Resistance (Ω) max.	Rated Current (mA)
			Nominal	Tolerance			
1	LQW15AN1N5B00	10	1.5nH	±0.1nH	10	0.03	1000
2	LQW15AN2N4B00	10	2.4nH	±0.1nH	20	0.05	850
3	LQW15AN2N5B00	10	2.5nH	±0.1nH	20	0.05	850
4	LQW15AN2N7B00	10	2.7nH	±0.1nH	20	0.05	850
5	LQW15AN2N9B00	10	2.9nH	±0.1nH	20	0.07	750
6	LQW15AN3N9B00	10	3.9nH	±0.1nH	25	0.07	750
7	LQW15AN4N1B00	10	4.1nH	±0.1nH	25	0.07	750
8	LQW15AN4N3B00	10	4.3nH	±0.1nH	25	0.07	750
9	LQW15AN4N7B00	10	4.7nH	±0.1nH	25	0.07	750
10	LQW15AN5N1B00	10	5.1nH	±0.1nH	25	0.12	600
11	LQW15AN5N8B00	10	5.8nH	±0.1nH	25	0.12	700
12	LQW15AN6N2B00	10	6.2nH	±0.1nH	25	0.09	700
13	LQW15AN6N8G00	10	6.8nH	±2%	25	0.09	700
14	LQW15AN7N3G00	10	7.3nH	±2%	25	0.13	570
15	LQW15AN7N5G00	10	7.5nH	±2%	25	0.13	570
16	LQW15AN8N2G00	10	8.2nH	±2%	25	0.14	540
17	LQW15AN8N7G00	10	8.7nH	±2%	25	0.14	540
18	LQW15AN9N1G00	10	9.1nH	±2%	25	0.14	540
19	LQW15AN9N5G00	10	9.5nH	±2%	25	0.14	540
20	LQW15AN10NG00	10	10nH	±2%	25	0.17	500
21	LQW15AN11NG00	10	11nH	±2%	30	0.14	500
22	LQW15AN12NG00	10	12nH	±2%	30	0.14	500
23	LQW15AN13NG00	10	13nH	±2%	25	0.21	430
24	LQW15AN15NG00	10	15nH	±2%	30	0.16	460
25	LQW15AN16NG00	10	16nH	±2%	25	0.24	370
26	LQW15AN18NG00	10	18nH	±2%	25	0.27	370
27	LQW15AN19NG00	10	19nH	±2%	25	0.27	370
28	LQW15AN20NG00	10	20nH	±2%	25	0.27	370
29	LQW15AN22NG00	10	22nH	±2%	25	0.30	310
30	LQW15AN23NG00	10	23nH	±2%	25	0.30	310
31	LQW15AN24NG00	10	24nH	±2%	25	0.52	280
32	LQW15AN27NG00	10	27nH	±2%	25	0.52	280
33	LQW15AN30NG00	10	30nH	±2%	25	0.58	270
34	LQW15AN33NG00	10	33nH	±2%	25	0.63	260
35	LQW15AN36NG00	10	36nH	±2%	25	0.63	260
36	LQW15AN39NG00	10	39nH	±2%	25	0.70	250
37	LQW15AN40NG00	10	40nH	±2%	25	0.70	250
38	LQW15AN43NG00	10	43nH	±2%	25	0.70	250
39	LQW15AN47NG00	10	47nH	±2%	25	1.08	210
40	LQW15AN51NG00	10	51nH	±2%	25	1.08	210
41	LQW15AN56NG00	10	56nH	±2%	25	1.17	200

Continued on the following page.

Note • Please read rating and CAUTION (for storage, operating, rating, soldering, mounting and handling) in this catalog to prevent smoking and/or burning, etc.
 • This catalog has only typical specifications. Therefore, please approve our product specifications or transact the approval sheet for product specifications before ordering.

Continued from the preceding page.

No.	Part Number	Quantity (pcs.)	Inductance		Q (min.)	DC Resistance (Ω) max.	Rated Current (mA)
			Nominal	Tolerance			
42	LQW15AN62NG00	10	62nH	±2%	20	1.82	145
43	LQW15AN68NG00	10	68nH	±2%	20	1.96	140
44	LQW15AN72NG00	10	72nH	±2%	20	2.10	135
45	LQW15AN75NG00	10	75nH	±2%	20	2.10	135
46	LQW15AN82NG00	10	82nH	±2%	20	2.24	130
47	LQW15AN91NG00	10	91nH	±2%	20	2.38	125
48	LQW15ANR10J00	10	100nH	±5%	20	2.52	120
49	LQW15ANR12J00	10	120nH	±5%	20	2.66	110
50	LQW15AN1N3C10	10	1.3nH	±0.2nH	20	0.017	1200
51	LQW15AN2N2C10	10	2.2nH	±0.2nH	25	0.027	1000
52	LQW15AN2N4D10	10	2.4nH	±0.5nH	25	0.027	1000
53	LQW15AN3N3D10	10	3.3nH	±0.5nH	30	0.04	900
54	LQW15AN3N4C10	10	3.4nH	±0.2nH	30	0.04	900
55	LQW15AN3N6C10	10	3.6nH	±0.2nH	30	0.04	900
56	LQW15AN3N9D10	10	3.9nH	±0.5nH	30	0.040	900
57	LQW15AN4N7D10	10	4.7nH	±0.5nH	30	0.051	800
58	LQW15AN5N1C10	10	5.1nH	±0.2nH	30	0.051	800
59	LQW15AN5N6C10	10	5.6nH	±0.2nH	30	0.051	800

●EKLQW80A (High Frequency Wire Wound Type)

No.	Part Number	Quantity (pcs.)	Inductance		Q (min.)	DC Resistance (Ω) max.	Rated Current (mA)
			Nominal	Tolerance			
1	LQW15AN1N3C80	10	1.3nH	±0.2nH	20	0.012	3150
2	LQW15AN2N3B80	10	2.3nH	±0.1nH	30	0.022	2530
3	LQW15AN2N4B80	10	2.4nH	±0.1nH	30	0.022	2530
4	LQW15AN3N4B80	10	3.4nH	±0.1nH	30	0.030	1950
5	LQW15AN3N6B80	10	3.6nH	±0.1nH	30	0.030	1950
6	LQW15AN3N8B80	10	3.8nH	±0.1nH	35	0.030	1950
7	LQW15AN3N9B80	10	3.9nH	±0.1nH	35	0.030	1950
8	LQW15AN4N0B80	10	4.0nH	±0.1nH	30	0.030	1950
9	LQW15AN5N1B80	10	5.1nH	±0.1nH	35	0.040	1770
10	LQW15AN5N2B80	10	5.2nH	±0.1nH	35	0.040	1770
11	LQW15AN5N4B80	10	5.4nH	±0.1nH	35	0.040	1770
12	LQW15AN5N6B80	10	5.6nH	±0.1nH	35	0.040	1770
13	LQW15AN5N7B80	10	5.7nH	±0.1nH	30	0.040	1770
14	LQW15AN5N8B80	10	5.8nH	±0.1nH	30	0.040	1770
15	LQW15AN7N4G80	10	7.4nH	±2%	30	0.050	1700
16	LQW15AN7N5G80	10	7.5nH	±2%	35	0.050	1700
17	LQW15AN7N6G80	10	7.6nH	±2%	30	0.050	1700
18	LQW15AN7N7G80	10	7.7nH	±2%	30	0.050	1700
19	LQW15AN7N8G80	10	7.8nH	±2%	30	0.050	1700
20	LQW15AN8N0G80	10	8.0nH	±2%	30	0.050	1700
21	LQW15AN13NG80	10	13nH	±2%	30	0.093	1240
22	LQW15AN27NG80	10	27nH	±2%	30	0.288	680
23	LQW15AN33NG80	10	33nH	±2%	30	0.336	620
24	LQW15AN43NG80	10	43nH	±2%	30	0.516	515
25	LQW15AN53NG80	10	53nH	±2%	25	0.696	415
26	LQW15AN75NG80	10	75nH	±2%	25	1.224	320

●EKLQ18GB (High Frequency Wire Wound Type)

No.	Part Number	Quantity (pcs.)	Inductance		Q (min.)	DC Resistance (Ω) max.	Rated Current (mA)
			Nominal	Tolerance			
1	LQW18AN3N6C00	10	3.6nH	±0.2nH	25	0.059	850
2	LQW18AN3N9C00	10	3.9nH	±0.2nH	35	0.059	850
3	LQW18AN4N3C00	10	4.3nH	±0.2nH	35	0.059	850
4	LQW18AN5N6C00	10	5.6nH	±0.2nH	35	0.082	750
5	LQW18AN6N2C00	10	6.2nH	±0.2nH	35	0.082	750
6	LQW18AN6N8C00	10	6.8nH	±0.2nH	35	0.082	750
7	LQW18AN10NG00	10	10nH	±2%	35	0.11	650
8	LQW18AN11NG00	10	11nH	±2%	35	0.11	650
9	LQW18AN12NG00	10	12nH	±2%	35	0.13	600
10	LQW18AN13NG00	10	13nH	±2%	35	0.13	600
11	LQW18AN15NG00	10	15nH	±2%	40	0.13	600
12	LQW18AN16NG00	10	16nH	±2%	40	0.16	550
13	LQW18AN18NG00	10	18nH	±2%	40	0.16	550

Continued on the following page. ↗

⚠Note • Please read rating and ⚠CAUTION (for storage, operating, rating, soldering, mounting and handling) in this catalog to prevent smoking and/or burning, etc.
• This catalog has only typical specifications. Therefore, please approve our product specifications or transact the approval sheet for product specifications before ordering.

Continued from the preceding page.

No.	Part Number	Quantity (pcs.)	Inductance		Q (min.)	DC Resistance (Ω) max.	Rated Current (mA)
			Nominal	Tolerance			
14	LQW18AN20NG00	10	20nH	±2%	40	0.16	550
15	LQW18AN22NG00	10	22nH	±2%	40	0.17	500
16	LQW18AN24NG00	10	24nH	±2%	40	0.21	500
17	LQW18AN27NG00	10	27nH	±2%	40	0.21	440
18	LQW18AN30NG00	10	30nH	±2%	40	0.23	420
19	LQW18AN33NG00	10	33nH	±2%	40	0.23	420
20	LQW18AN36NG00	10	36nH	±2%	40	0.26	400
21	LQW18AN39NG00	10	39nH	±2%	40	0.26	400
22	LQW18AN43NG00	10	43nH	±2%	40	0.29	380
23	LQW18AN47NG00	10	47nH	±2%	38	0.29	380
24	LQW18AN51NG00	10	51nH	±2%	38	0.33	370
25	LQW18AN56NG00	10	56nH	±2%	38	0.35	360
26	LQW18AN62NG00	10	62nH	±2%	38	0.51	280
27	LQW18AN68NG00	10	68nH	±2%	38	0.38	340
28	LQW18AN72NG00	10	72nH	±2%	34	0.56	270
29	LQW18AN75NG00	10	75nH	±2%	34	0.56	270
30	LQW18AN82NG00	10	82nH	±2%	34	0.60	250
31	LQW18AN91NG00	10	91nH	±2%	34	0.64	230
32	LQW18ANR10G00	10	100nH	±2%	34	0.68	220
33	LQW18ANR11G00	10	110nH	±2%	32	1.2	200
34	LQW18ANR12G00	10	120nH	±2%	32	1.3	180
35	LQW18ANR13G00	10	130nH	±2%	32	1.4	170
36	LQW18ANR15G00	10	150nH	±2%	32	1.5	160
37	LQW18ANR16G00	10	160nH	±2%	32	2.1	150
38	LQW18ANR18G00	10	180nH	±2%	25	2.2	140
39	LQW18ANR20G00	10	200nH	±2%	25	2.4	120
40	LQW18ANR22G00	10	220nH	±2%	25	2.5	120
41	LQW18ANR27G00	10	270nH	±2%	30	3.4	110
42	LQW18ANR33G00	10	330nH	±2%	30	5.5	85
43	LQW18ANR39G00	10	390nH	±2%	30	6.2	80
44	LQW18ANR47G00	10	470nH	±2%	30	7.0	75
45	LQW18AN3N9C10	10	3.9nH	±0.2nH	38	0.032	1000
46	LQW18AN6N8C10	10	6.8nH	±0.2nH	38	0.045	900
47	LQW18AN10NG10	10	10nH	±2%	38	0.058	800
48	LQW18AN12NG10	10	12nH	±2%	38	0.071	750
49	LQW18AN18NG10	10	18nH	±2%	42	0.085	700
50	LQW18AN22NG10	10	22nH	±2%	42	0.099	640
51	LQW18AN27NG10	10	27nH	±2%	42	0.116	590

●EKLMQW21A (for High Frequency Wire Wound Ferrite Core Type)

No.	Part Number	Quantity (pcs.)	Inductance		Q (min.)	DC Resistance (Ω) max.	Rated Current (mA)
			Nominal	Tolerance			
1	LQW21HNR47J00	10	0.47μH	±5%	35	1.30	160
2	LQW21HNR56J00	10	0.56μH	±5%	35	1.43	150
3	LQW21HNR68J00	10	0.68μH	±5%	35	2.21	130
4	LQW21HNR82J00	10	0.82μH	±5%	35	2.34	125
5	LQW21HN1R0J00	10	1.0μH	±5%	35	2.86	115
6	LQW21HN1R2J00	10	1.2μH	±5%	35	3.12	100
7	LQW21HN1R5J00	10	1.5μH	±5%	35	5.33	85
8	LQW21HN1R8J00	10	1.8μH	±5%	35	5.85	80
9	LQW21HN2R2J00	10	2.2μH	±5%	35	6.50	75

●EKLMQW2BC (for High Frequency Wire Wound Air Core Type)

No.	Part Number	Quantity (pcs.)	Inductance		Q (min.)	DC Resistance (Ω) max.	Rated Current (mA)
			Nominal	Tolerance			
1	LQW2BHN2N7D13	10	2.7nH	±0.5nH	20	0.02	1900
2	LQW2BHN3N1D13	10	3.1nH	±0.5nH	20	0.02	1800
3	LQW2BHN3N3D13	10	3.3nH	±0.5nH	20	0.02	1700
4	LQW2BHN5N6D13	10	5.6nH	±0.5nH	35	0.02	1500
5	LQW2BHN6N8D13	10	6.8nH	±0.5nH	35	0.02	1400
6	LQW2BHN8N6D13	10	8.6nH	±0.5nH	35	0.03	1300
7	LQW2BHN10NJ13	10	10nH	±5%	35	0.03	1320
8	LQW2BHN12NK13	10	12nH	±10%	40	0.04	1100
9	LQW2BHN15NK13	10	15nH	±10%	40	0.04	1000
10	LQW2BHN18NK13	10	18.8nH	±10%	40	0.05	1000

Continued on the following page. ↗

⚠Note • Please read rating and ⚠CAUTION (for storage, operating, rating, soldering, mounting and handling) in this catalog to prevent smoking and/or burning, etc.
• This catalog has only typical specifications. Therefore, please approve our product specifications or transact the approval sheet for product specifications before ordering.

Continued from the preceding page.

No.	Part Number	Quantity (pcs.)	Inductance		Q (min.)	DC Resistance (Ω) max.	Rated Current (mA)
			Nominal	Tolerance			
11	LQW2BHN21NK13	10	21nH	±10%	40	0.05	950
12	LQW2BHN27NK13	10	27nH	±10%	40	0.06	900
13	LQW2BHN33NG03	10	33nH	±2%	40	0.15	570
14	LQW2BHN39NG03	10	39nH	±2%	40	0.09	730
15	LQW2BHN47NG03	10	47nH	±2%	40	0.23	450
16	LQW2BHN56NG03	10	56nH	±2%	40	0.26	430
17	LQW2BHN68NG03	10	68nH	±2%	40	0.23	460
18	LQW2BHN82NG03	10	82nH	±2%	40	0.42	320
19	LQW2BHN10G03	10	100nH	±2%	35	0.55	270
20	LQW2BHN12G03	10	120nH	±2%	40	0.40	320
21	LQW2BHN15G03	10	150nH	±2%	30	0.68	260
22	LQW2BHN18G03	10	180nH	±2%	35	0.71	250
23	LQW2BHN22G03	10	220nH	±2%	35	0.70	240
24	LQW2BHN27K03	10	270nH	±10%	15	2.00	190
25	LQW2BHN33K03	10	330nH	±10%	15	2.20	180
26	LQW2BHN39K03	10	390nH	±10%	15	2.50	170
27	LQW2BHN47K03	10	470nH	±10%	15	2.80	160

●EKLW2BUB (High Frequency Wire Wound Type)

No.	Part Number	Quantity (pcs.)	Inductance		Q (min.)	DC Resistance (Ω) max.	Rated Current (mA)
			Nominal	Tolerance			
1	LQW2BAS2N8J00	10	2.8nH	±5%	80	0.06	800
2	LQW2BAS3N0J00	10	3nH	±5%	65	0.06	800
3	LQW2BAS5N6J00	10	5.6nH	±5%	65	0.08	600
4	LQW2BAS6N8J00	10	6.8nH	±5%	50	0.11	600
5	LQW2BAS7N5J00	10	7.5nH	±5%	50	0.14	600
6	LQW2BAS8N2J00	10	8.2nH	±5%	50	0.12	600
7	LQW2BAS10NJ00	10	10nH	±5%	60	0.10	600
8	LQW2BAS12NJ00	10	12nH	±5%	50	0.15	600
9	LQW2BAS15NJ00	10	15nH	±5%	50	0.17	600
10	LQW2BAS18NJ00	10	18nH	±5%	50	0.20	600
11	LQW2BAS22NJ00	10	22nH	±5%	55	0.22	500
12	LQW2BAS24NJ00	10	24nH	±5%	50	0.22	500
13	LQW2BAS27NJ00	10	27nH	±5%	55	0.25	500
14	LQW2BAS33NG00	10	33nH	±2%	60	0.27	500
15	LQW2BAS36NG00	10	36nH	±2%	55	0.27	500
16	LQW2BAS39NG00	10	39nH	±2%	60	0.29	500
17	LQW2BAS43NG00	10	43nH	±2%	60	0.34	500
18	LQW2BAS47NG00	10	47nH	±2%	60	0.31	500
19	LQW2BAS56NG00	10	56nH	±2%	60	0.34	500
20	LQW2BAS68NG00	10	68nH	±2%	60	0.38	500
21	LQW2BAS82NG00	10	82nH	±2%	65	0.42	400
22	LQW2BAS91NG00	10	91nH	±2%	65	0.48	400
23	LQW2BASR10G00	10	100nH	±2%	65	0.46	400
24	LQW2BASR11G00	10	110nH	±2%	50	0.48	400
25	LQW2BASR12G00	10	120nH	±2%	50	0.51	400
26	LQW2BASR15G00	10	150nH	±2%	50	0.56	400
27	LQW2BASR18G00	10	180nH	±2%	50	0.64	400
28	LQW2BASR22G00	10	220nH	±2%	50	0.70	400
29	LQW2BASR24G00	10	240nH	±2%	44	1.00	350
30	LQW2BASR27G00	10	270nH	±2%	48	1.00	350
31	LQW2BASR33G00	10	330nH	±2%	48	1.40	310
32	LQW2BASR39J00	10	390nH	±5%	48	1.50	290
33	LQW2BASR47J00	10	470nH	±5%	33	1.76	250
34	LQW2BASR56J00	10	560nH	±5%	23	1.90	230
35	LQW2BASR68J00	10	680nH	±5%	23	2.20	190
36	LQW2BASR82J00	10	820nH	±5%	23	2.35	180
37	LQW2UAS12NG00	10	12nH	±2%	50	0.09	1000
38	LQW2UAS18NG00	10	18nH	±2%	50	0.11	1000
39	LQW2UAS22NG00	10	22nH	±2%	55	0.12	1000
40	LQW2UAS27NG00	10	27nH	±2%	55	0.13	1000
41	LQW2UAS33NG00	10	33nH	±2%	60	0.14	1000
42	LQW2UAS39NG00	10	39nH	±2%	60	0.15	1000
43	LQW2UAS47NG00	10	47nH	±2%	65	0.16	1000
44	LQW2UAS56NG00	10	56nH	±2%	65	0.18	1000

Continued on the following page. ↗

⚠Note • Please read rating and ⚠CAUTION (for storage, operating, rating, soldering, mounting and handling) in this catalog to prevent smoking and/or burning, etc.
 • This catalog has only typical specifications. Therefore, please approve our product specifications or transact the approval sheet for product specifications before ordering.

Continued from the preceding page.

No.	Part Number	Quantity (pcs.)	Inductance		Q (min.)	DC Resistance (Ω) max.	Rated Current (mA)
			Nominal	Tolerance			
45	LQW2UAS68NG00	10	68nH	$\pm 2\%$	65	0.2	1000
46	LQW2UAS82NG00	10	82nH	$\pm 2\%$	60	0.22	1000
47	LQW2UASR10G00	10	100nH	$\pm 2\%$	60	0.56	650
48	LQW2UASR12G00	10	120nH	$\pm 2\%$	60	0.63	650
49	LQW2UASR15G00	10	150nH	$\pm 2\%$	45	0.7	580
50	LQW2UASR18G00	10	180nH	$\pm 2\%$	45	0.77	620
51	LQW2UASR22G00	10	220nH	$\pm 2\%$	45	0.84	500
52	LQW2UASR27G00	10	270nH	$\pm 2\%$	45	0.91	500
53	LQW2UASR33G00	10	330nH	$\pm 2\%$	45	1.05	450
54	LQW2UASR39G00	10	390nH	$\pm 2\%$	45	1.12	470
55	LQW2UASR47G00	10	470nH	$\pm 2\%$	45	1.19	470
56	LQW2UASR56G00	10	560nH	$\pm 2\%$	45	1.33	400
57	LQW2UASR62G00	10	620nH	$\pm 2\%$	45	1.4	300
58	LQW2UASR68G00	10	680nH	$\pm 2\%$	45	1.47	400
59	LQW2UASR75G00	10	750nH	$\pm 2\%$	45	1.54	360
60	LQW2UASR82G00	10	820nH	$\pm 2\%$	45	1.61	400
61	LQW2UASR91G00	10	910nH	$\pm 2\%$	35	1.68	380
62	LQW2UAS1R0G00	10	1000nH	$\pm 2\%$	35	1.75	370
63	LQW2UAS1R2J00	10	1200nH	$\pm 5\%$	35	2.0	310
64	LQW2UAS1R5J00	10	1500nH	$\pm 5\%$	28	2.3	330
65	LQW2UAS1R8J00	10	1800nH	$\pm 5\%$	28	2.6	300
66	LQW2UAS2R2J00	10	2200nH	$\pm 5\%$	28	2.8	280
67	LQW2UAS2R7J00	10	2700nH	$\pm 5\%$	22	3.2	290
68	LQW2UAS3R3J00	10	3300nH	$\pm 5\%$	22	3.4	290
69	LQW2UAS3R9J00	10	3900nH	$\pm 5\%$	20	3.6	260
70	LQW2UAS4R7J00	10	4700nH	$\pm 5\%$	20	4.0	260

Δ Note • Please read rating and Δ CAUTION (for storage, operating, rating, soldering, mounting and handling) in this catalog to prevent smoking and/or burning, etc.
 • This catalog has only typical specifications. Therefore, please approve our product specifications or transact the approval sheet for product specifications before ordering.



Inductor for Power Lines (Power Inductor)

LQH2MC	p.36
LQH2HP	p.40
LQH3NP	p.45
LQH31C	p.75
LQH32C	p.76
LQH32P	p.53
LQH43C	p.79
LQH43P	p.57
LQH44P	p.59
LQH5BP	p.63
LQH55D	p.81
LQH55P	p.65
LQH66S	p.83
LQM18F	p.67
LQM18P	p.14
LQM21D	p.68
LQM21F	p.69
LQM21P	p.20
LQM2MP	p.25
LQM2HP	p.27
LQM31P	p.33
LQM32P	p.35
LQW15C	p.72
LQW18C	p.74

Inductor for Low Frequency Circuits

LQH31M	p.107
LQH32M	p.109
LQH43M	p.111
LQH43N	p.111
LQM18N	p.103
LQM21N	p.105

RF Inductor

LQG15H	p.126
LQG18H	p.131
LQH31H	p.182
LQP02T	p.133
LQP03T	p.138
LQP15M	p.147
LQP18M	p.150
LQW04A	p.152
LQW15A	p.155
LQW18A	p.162
LQW21H	p.180
LQW2BA	p.172
LQW2BH	p.168
LQW2UA	p.175
LQW31H	p.178

Design Support Software SimSurfing

SimSurfing is the latest tool to get the electrical characteristics for Power Inductor or RF Inductor on the internet !

You can easily search and download the following data for Inductor with no special software.

- ① Part number search
- ② Frequency characteristics (S11, S12, S21, S22, Z, R, X, Y, G, B, L, Q)
- ③ L-DC current characteristics at each temp., for Power Inductor
- ④ L-Temperature characteristics at each Bias current, for Power Inductor
- ⑤ Delta T-DC current characteristics, for Power Inductor
- ⑥ DCR-Temperature characteristics, for Power Inductor
- ⑦ S-Parameter download

1 Select the Products

- (1) By part number
- (2) By performance

2 Show graph

Click each button in <Graph out put> area.

3 Data download

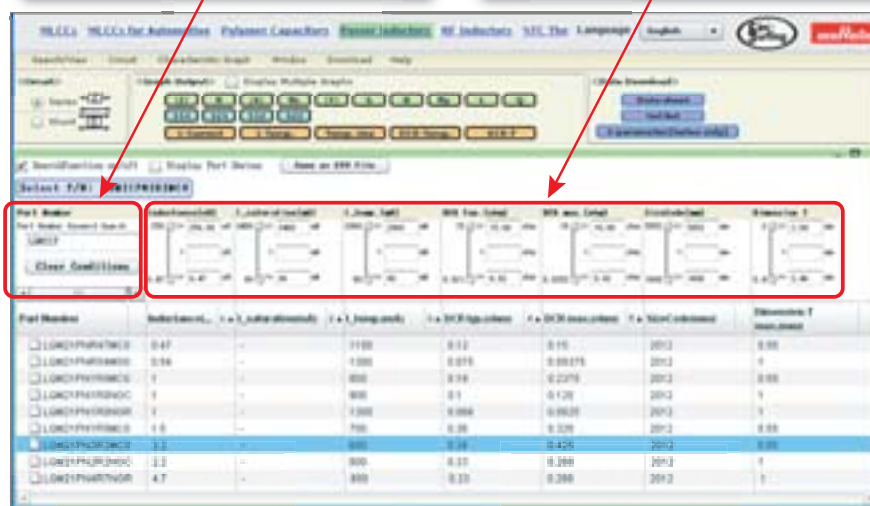
Click each button in <data down load> area.

1 (1) By part number

Filter the list by keyword and select product.

1 (2) By performance

Filter the list using spec slider and select product.



These images are captured at August/2012. Be sure that this software will be updated frequently.

<http://ds.murata.co.jp/software/simsurfing/en-us/>

⚠Note • Please read rating and ⚠CAUTION (for storage, operating, rating, soldering, mounting and handling) in this catalog to prevent smoking and/or burning, etc.
• This catalog has only typical specifications. Therefore, please approve our product specifications or transact the approval sheet for product specifications before ordering.

EMICON-FUN!

Please check Murata's newsletter!
 You can learn about electric parts with fun.
http://www.murata.com/products/emicon_fun/

EMICON-FUN! disseminated widely from basics (principles, characteristics, mounting, etc.) of capacitors, inductors and EMI suppression filters to information can practically be used.
 Updated information is also distributed via the mail magazine.

You can register from the Products page on Murata Manufacturing Web site.
<http://www.murata.com/products/>



← This banner is the entrance of register form

The screenshot displays the Murata Manufacturing Co., Ltd. website. The main content area is dedicated to 'EMICON-FUN!', featuring a large banner for 'Inductor Room' with a dog on a sofa. Below the banner is a list of 'Recent articles' with dates and titles such as 'Noise suppression filter Room' and 'Capacitor Room'. A sidebar on the right includes a 'Murata Newsletter' sign-up button and a search function. An inset image shows a sample of the newsletter magazine, which includes the title 'EMICON-FUN!', the subtitle 'The index of October 28 issue', and a list of contents like 'EMI suppression filter Room' and 'Say Hello to MURATA BOY'.

△Note • Please read rating and ⚠CAUTION (for storage, operating, rating, soldering, mounting and handling) in this catalog to prevent smoking and/or burning, etc.
 • This catalog has only typical specifications. Therefore, please approve our product specifications or transact the approval sheet for product specifications before ordering.

⚠ Note:

1. Export Control

<For customers outside Japan>

No Murata products should be used or sold, through any channels, for use in the design, development, production, utilization, maintenance or operation of, or otherwise contribution to (1) any weapons (Weapons of Mass Destruction [nuclear, chemical or biological weapons or missiles] or conventional weapons) or (2) goods or systems specially designed or intended for military end-use or utilization by military end-users.

<For customers in Japan>

For products which are controlled items subject to the "Foreign Exchange and Foreign Trade Law" of Japan, the export license specified by the law is required for export.

2. Please contact our sales representatives or product engineers before using the products in this catalog for the applications listed below, which require especially high reliability for the prevention of defects which might directly damage a third party's life, body or property, or when one of our products is intended for use in applications other than those specified in this catalog.

- | | |
|-----------------------------|--|
| ① Aircraft equipment | ② Aerospace equipment |
| ③ Undersea equipment | ④ Power plant equipment |
| ⑤ Medical equipment | ⑥ Transportation equipment (vehicles, trains, ships, etc.) |
| ⑦ Traffic signal equipment | ⑧ Disaster prevention / crime prevention equipment |
| ⑨ Data-processing equipment | ⑩ Application of similar complexity and/or reliability requirements to the applications listed above |

3. Product specifications in this catalog are as of July 2012. They are subject to change or our products in it may be discontinued without advance notice.

Please check with our sales representatives or product engineers before ordering. If there are any questions, please contact our sales representatives or product engineers.

4. Please read rating and ⚠ CAUTION (for storage, operating, rating, soldering, mounting and handling) in this catalog to prevent smoking and/or burning, etc.

5. This catalog has only typical specifications. Therefore, please approve our product specifications or transact the approval sheet for product specifications before ordering.

6. Please note that unless otherwise specified, we shall assume no responsibility whatsoever for any conflict or dispute that may occur in connection with the effect of our and/or a third party's intellectual property rights and other related rights in consideration of your use of our products and/or information described or contained in our catalogs. In this connection, no representation shall be made to the effect that any third parties are authorized to use the rights mentioned above under licenses without our consent.

7. No ozone depleting substances (ODS) under the Montreal Protocol are used in our manufacturing process.



<http://www.murata.com/>

Head Office

1-10-1, Higashi Kotari, Nagaokakyo-shi, Kyoto 617-8555, Japan
Phone: 81-75-951-9111

International Division

3-29-12, Shibuya, Shibuya-ku, Tokyo 150-0002, Japan
Phone: 81-3-5469-6123 Fax: 81-3-5469-6155 E-mail: intl@murata.co.jp

Cat. No. O05E-24