

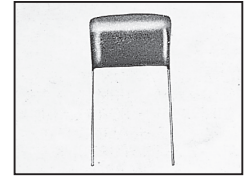
Metallized Polyester Film Capacitors

NRM Series

EPOXY COATED, NON-INDUCTIVE, CAPACITORS,
RADIAL LEAD

FEATURES

- NON-INDUCTIVE CONSTRUCTION
- EPOXY RESIN COATED FOR EXCELLENT MOISTURE RESISTANCE
- HIGH STABILITY WITH FREQUENCY OVER AN EXTENDED OPERATING LIFE
- HIGH PERFORMANCE AT LOW COST
- LEAD FORMING AND CUT LEADS AVAILABLE
- METALLIZED CONSTRUCTION PROVIDE SELF HEALING CHARACTERISTICS



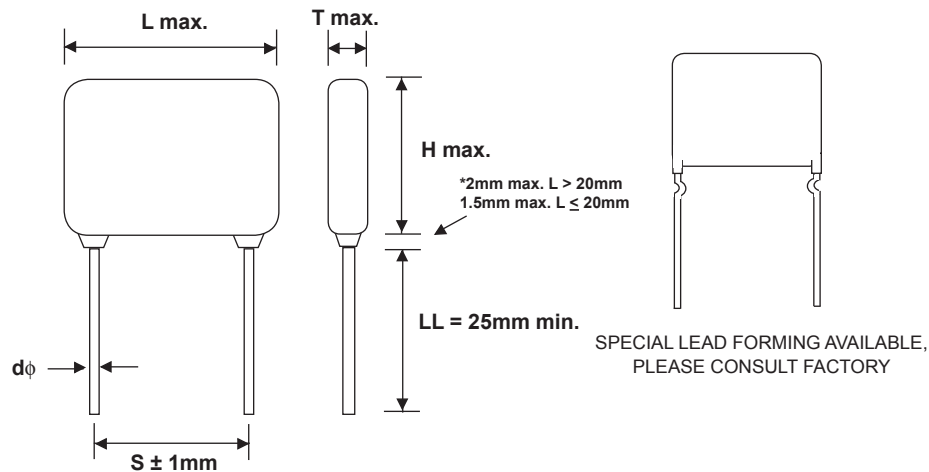
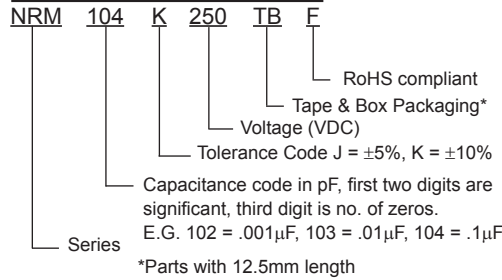
**RoHS
Compliant**
includes all homogeneous materials

SPECIFICATIONS

| | |
|-----------------------|--|
| Operating Temperature | -40°C ~ +105°C |
| Rated Voltage (VDC) | 100V, 250V, 400V, 630V |
| Capacitance Range | 0.01μF ~ 6.8μF |
| Capacitance Tolerance | ±10% (K), ±5% (J) |
| Insulation Resistance | C < 0.33μF IR ≥ 15,000 Megohm C ≥ .33μF IR ≥ 5,000 Megohm |
| Dissipation Factor | ≤0.01 (at 1KHz) |
| Dielectric Strength | 150% of Rated Voltage for 5 Seconds |

*See Part Number System for Details

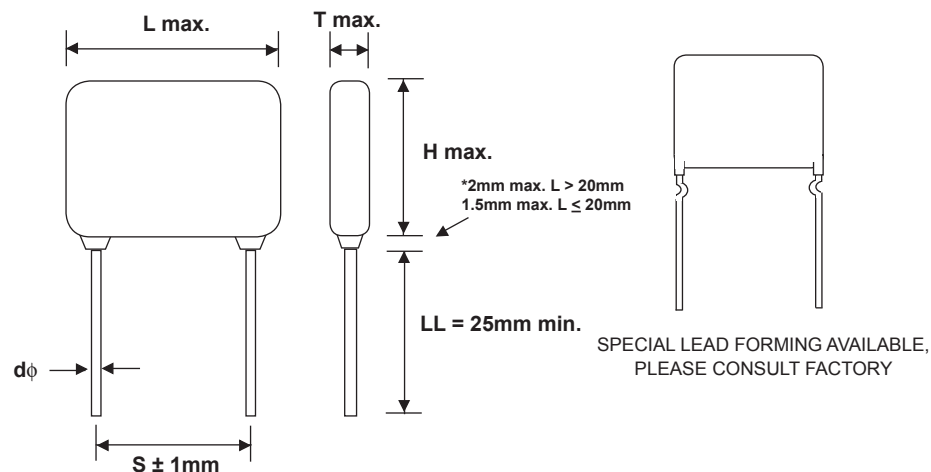
PART NUMBER SYSTEM



STANDARD PRODUCTS AND CASE SIZE TABLE (mm)

| | Cap. (μF) | Voltage Rating | Available Tolerance | Max. Length (mm) | Max. Width (mm) | Max. Height (mm) | Lead-space (mm) | Lead Diameter (mm) |
|-------------|-----------|-------------------|---------------------|------------------|-----------------|------------------|-----------------|--------------------|
| NRM333K100F | 0.033 | 100VDC 63VAC | ±5% (J), ±10% (K) | 12.5 | 5.0 | 9.5 | 10.0 | 0.6 |
| NRM473K100F | 0.047 | | ±5% (J), ±10% (K) | 12.5 | 5.0 | 9.5 | 10.0 | 0.6 |
| NRM683K100F | 0.068 | | ±5% (J), ±10% (K) | 12.5 | 5.0 | 9.5 | 10.0 | 0.6 |
| NRM104K100F | 0.1 | | ±5% (J), ±10% (K) | 12.5 | 5.0 | 9.5 | 10.0 | 0.6 |
| NRM154K100F | 0.15 | | ±5% (J), ±10% (K) | 12.5 | 5.0 | 10.0 | 10.0 | 0.6 |
| NRM224K100F | 0.22 | | ±5% (J), ±10% (K) | 12.5 | 5.5 | 10.0 | 10.0 | 0.6 |
| NRM334K100F | 0.33 | | ±5% (J), ±10% (K) | 12.5 | 6.5 | 10.5 | 10.0 | 0.6 |
| NRM474K100F | 0.47 | | ±5% (J), ±10% (K) | 18.0 | 6.5 | 11.5 | 15.0 | 0.6 |
| NRM684K100F | 0.68 | | ±5% (J), ±10% (K) | 18.0 | 6.5 | 12.0 | 15.0 | 0.6 |
| NRM105K100F | 1.0 | | ±5% (J), ±10% (K) | 18.0 | 7.5 | 14.0 | 15.0 | 0.6 |
| NRM155K100F | 1.5 | | ±5% (J), ±10% (K) | 26.0 | 7.5 | 14.5 | 22.5 | 0.6 |
| NRM225K100F | 2.2 | | ±5% (J), ±10% (K) | 26.0 | 9.0 | 16.0 | 22.5 | 0.6 |
| NRM335K100F | 3.3 | | ±5% (J), ±10% (K) | 26.0 | 11.0 | 19.0 | 22.5 | 0.6 |
| NRM475K100F | 4.7 | | ±5% (J), ±10% (K) | 31.0 | 12.0 | 23.0 | 27.5 | 0.6 |
| NRM685K100F | 6.8 | | ±5% (J), ±10% (K) | 31.0 | 14.0 | 25.0 | 27.5 | 0.6 |
| NRM103K250F | 0.01 | 250VDC 160VAC | ±5% (J), ±10% (K) | 12.5 | 5.0 | 9.5 | 10.0 | 0.8 |
| NRM153K250F | 0.015 | | ±5% (J), ±10% (K) | 12.5 | 5.0 | 9.5 | 10.0 | 0.8 |
| NRM223K250F | 0.022 | | ±5% (J), ±10% (K) | 12.5 | 5.0 | 9.5 | 10.0 | 0.8 |
| NRM333K250F | 0.033 | | ±5% (J), ±10% (K) | 12.5 | 5.0 | 9.5 | 10.0 | 0.8 |
| NRM473K250F | 0.047 | | ±5% (J), ±10% (K) | 12.5 | 5.0 | 9.5 | 10.0 | 0.8 |
| NRM683K250F | 0.068 | | ±5% (J), ±10% (K) | 12.5 | 5.0 | 9.5 | 10.0 | 0.8 |
| NRM104K250F | 0.1 | | ±5% (J), ±10% (K) | 12.5 | 5.5 | 10.0 | 10.0 | 0.8 |
| NRM154K250F | 0.15 | | ±5% (J), ±10% (K) | 12.5 | 6.5 | 10.5 | 10.0 | 0.8 |
| NRM224K250F | 0.22 | | ±5% (J), ±10% (K) | 18.0 | 6.5 | 11.5 | 15.0 | 0.8 |
| NRM334K250F | 0.33 | | ±5% (J), ±10% (K) | 18.0 | 7.0 | 12.5 | 15.0 | 0.8 |
| NRM474K250F | 0.47 | | ±5% (J), ±10% (K) | 26.0 | 7.0 | 12.5 | 22.5 | 0.8 |
| NRM684K250F | 0.68 | | ±5% (J), ±10% (K) | 26.0 | 8.0 | 14.5 | 22.5 | 0.8 |
| NRM105K250F | 1.0 | | ±5% (J), ±10% (K) | 26.0 | 10.5 | 17.5 | 22.5 | 0.8 |
| NRM155K250F | 1.5 | | ±5% (J), ±10% (K) | 26.0 | 10.5 | 18.0 | 22.5 | 0.8 |
| NRM225K250F | 2.2 | | ±5% (J), ±10% (K) | 31.0 | 12.5 | 19.0 | 27.5 | 0.8 |
| NRM335K250F | 3.3 | ±5% (J), ±10% (K) | 31.0 | 14.0 | 23.0 | 27.5 | 0.8 | |
| NRM475K250F | 4.7 | ±5% (J), ±10% (K) | 31.0 | 16.5 | 27.0 | 27.5 | 0.8 | |

SEE NEXT PAGE FOR 400V AND 630V PARTS

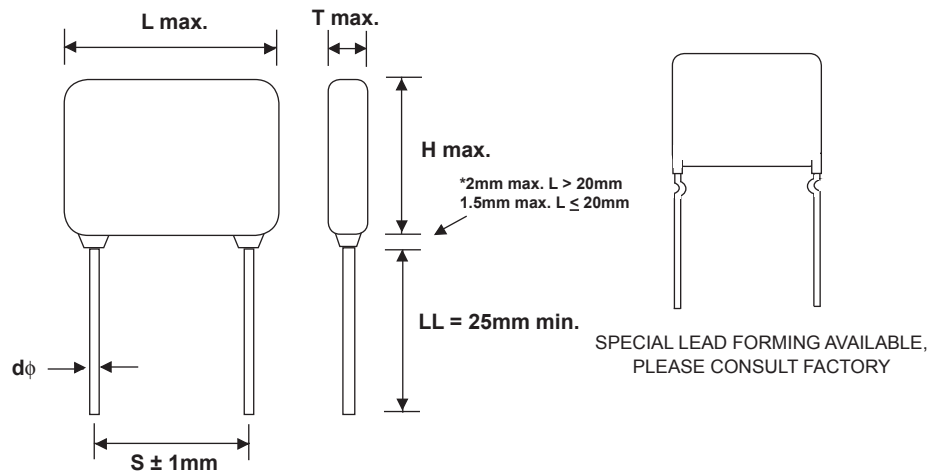


Metalized Polyester Film Capacitors

STANDARD PRODUCTS AND CASE SIZE TABLE (mm)

| | Cap. (μF) | Voltage Rating | Available Tolerance | Max. Length (mm) | Max. Width (mm) | Max. Height (mm) | Lead-space (mm) | Lead Diameter (mm) |
|--------------|-----------|------------------|---------------------|------------------|-----------------|------------------|-----------------|--------------------|
| NRM103K400F | 0.01 | 400VDC 200VAC | ±5% (J), ±10% (K) | 12.5 | 5.0 | 9.5 | 10.0 | 0.8 |
| NRM153K400F | 0.015 | | ±5% (J), ±10% (K) | 12.5 | 5.0 | 9.5 | 10.0 | 0.8 |
| NRM223K400F | 0.022 | | ±5% (J), ±10% (K) | 12.5 | 5.0 | 9.5 | 10.0 | 0.8 |
| NRM333K400F | 0.033 | | ±5% (J), ±10% (K) | 12.5 | 5.5 | 10.5 | 10.0 | 0.8 |
| NRM473K400F | 0.047 | | ±5% (J), ±10% (K) | 12.5 | 6.0 | 10.5 | 10.0 | 0.8 |
| NRM683K400F | 0.068 | | ±5% (J), ±10% (K) | 18.0 | 6.0 | 10.5 | 15.0 | 0.8 |
| NRM104K400F | 0.1 | | ±5% (J), ±10% (K) | 18.0 | 6.5 | 11.5 | 15.0 | 0.8 |
| NRM154K400F* | 0.15 | | ±5% (J), ±10% (K) | 26.0 | 6.0 | 12.5 | 22.5 | 0.8 |
| NRM224K400F* | 0.22 | | ±5% (J), ±10% (K) | 26.0 | 7.0 | 15.0 | 22.5 | 0.8 |
| NRM334K400F | 0.33 | | ±5% (J), ±10% (K) | 26.0 | 8.5 | 15.5 | 22.5 | 0.8 |
| NRM474K400F | 0.47 | | ±5% (J), ±10% (K) | 26.0 | 9.5 | 18.0 | 22.5 | 0.8 |
| NRM684K400F | 0.68 | | ±5% (J), ±10% (K) | 26.0 | 12.0 | 18.5 | 22.5 | 0.8 |
| NRM105K400F | 1.0 | | ±5% (J), ±10% (K) | 31.0 | 12.0 | 20.0 | 27.5 | 0.8 |
| NRM155K400F | 1.5 | | ±5% (J), ±10% (K) | 31.0 | 13.5 | 23.5 | 27.5 | 0.8 |
| NRM225K400F | 2.2 | | ±5% (J), ±10% (K) | 31.0 | 16.5 | 26.0 | 27.5 | 0.8 |
| NRM103K630F | 0.01 | 630VDC 220VAC | ±5% (J), ±10% (K) | 12.5 | 5.0 | 9.5 | 10.0 | 0.8 |
| NRM153K630F | 0.015 | | ±5% (J), ±10% (K) | 12.5 | 5.0 | 9.5 | 10.0 | 0.8 |
| NRM223K630F | 0.022 | | ±5% (J), ±10% (K) | 12.5 | 7.0 | 10.5 | 10.0 | 0.8 |
| NRM333K630F | 0.033 | | ±5% (J), ±10% (K) | 18.0 | 6.0 | 11.0 | 15.0 | 0.8 |
| NRM473K630F | 0.047 | | ±5% (J), ±10% (K) | 18.0 | 6.5 | 11.5 | 15.0 | 0.8 |
| NRM683K630F | 0.068 | | ±5% (J), ±10% (K) | 18.0 | 7.0 | 13.0 | 15.0 | 0.8 |
| NRM104K630F | 0.1 | | ±5% (J), ±10% (K) | 26.0 | 7.0 | 13.0 | 22.5 | 0.8 |
| NRM154K630F | 0.15 | | ±5% (J), ±10% (K) | 26.0 | 8.5 | 14.0 | 22.5 | 0.8 |
| NRM224K630F | 0.22 | | ±5% (J), ±10% (K) | 26.0 | 10.0 | 16.5 | 22.5 | 0.8 |
| NRM334K630F | 0.33 | | ±5% (J), ±10% (K) | 31.0 | 10.5 | 17.5 | 27.5 | 0.8 |
| NRM474K630F | 0.47 | | ±5% (J), ±10% (K) | 31.0 | 12.0 | 19.5 | 27.5 | 0.8 |
| NRM684K630F | 0.68 | | ±5% (J), ±10% (K) | 31.0 | 15.0 | 22.5 | 27.5 | 0.8 |
| NRM105K630F | 1.0 | | ±5% (J), ±10% (K) | 31.0 | 19.0 | 27.0 | 27.5 | 0.8 |

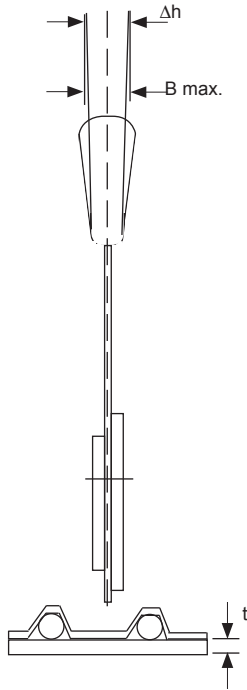
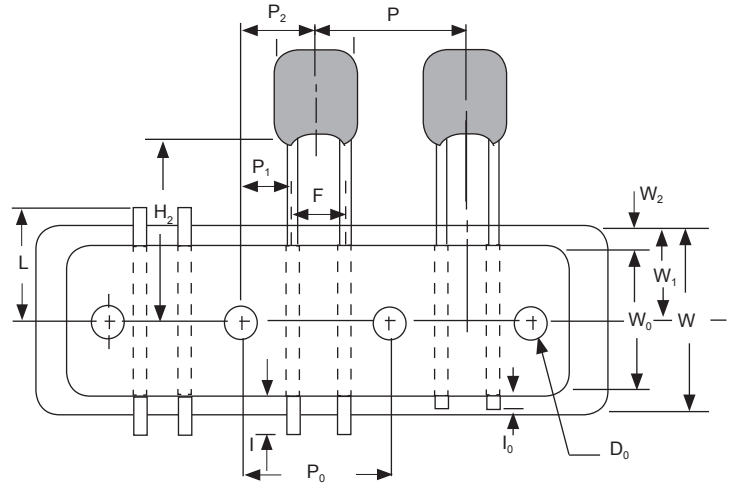
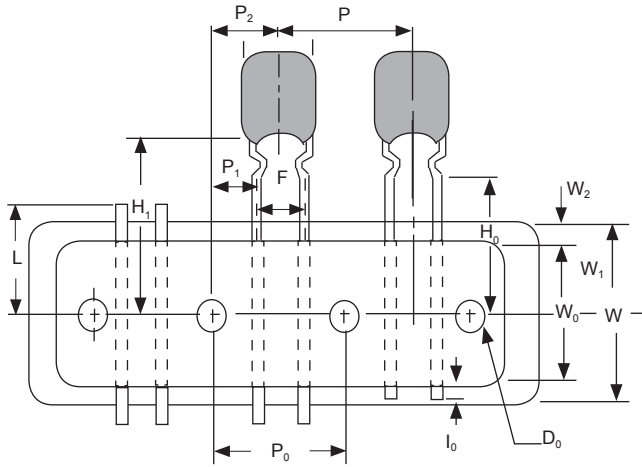
*Also available in an 18.0x8.5x15.0mm case size with 15mm lead-space



TAPE & BOX FOR RADIAL LEAD CAPACITOR
REFER TO EIA STANDARD RS-468

CRIMPED LEAD TAPING (STANDARD)

STRAIGHT LEAD TAPING (SPECIAL) Contact NIC for Availability.*



***NOTE:** STANDARD LEAD SPACING ON TAPED PARTS IS 5MM. SPECIAL 7.5MM, 10MM AND 15MM LEAD SPACING MAY BE AVAILABLE UPON SPECIAL REQUEST.

TO SPECIFIC:

| LEAD SPACING | P/N SUFFIX |
|--------------|--------------|
| 5MM | TB |
| 7.5MM | TB (7.5MMLS) |
| 10MM | TB (10MMLS) |

| Dimensions MM (inch) | | |
|----------------------|-------------|------------------|
| P | 12.7 ± 1.0 | (0.5 ± 0.0394) |
| P ₀ | 12.7 ± 0.2 | (0.5 ± 0.008) |
| P ₂ | 6.35 ± 1.3 | (.025 ± 0.051) |
| P ₁ | 3.85 ± 0.5 | (0.152 ± 0.020) |
| F* | 5.0 ± 0.8 | (0.197 ± 0.0315) |
| Δh | 0 ± 2.0 | (0 ± 0.0787) |
| W | 18.0 ± 0.5 | (0.709 ± 0.020) |
| W ₁ | 9.0 ± 0.5 | (0.354 ± 0.020) |
| H ₁ | 20.0 ± 0.75 | (0.787 ± 0.030) |
| H ₂ | 18.0 ± 0.5 | (0.709 ± 0.020) |
| H ₀ | 16.0 ± 0.5 | (0.630 ± 0.020) |
| I | 2.0 max. | (0.079 max.) |
| I ₀ | 7.0 max. | (0.276 max.) |
| φD ₀ | 4.0 ± 0.2 | (0.157 ± 0.008) |
| W ₀ | 12.5 min. | (0.492 min.) |
| t | 0.7 ± 0.2 | (0.028 ± 0.008) |
| W ₂ | 3.0 max. | (0.118 max.) |
| L | 11.0 max. | (0.433 max.) |

AMMO BOX PACKING TB (TAPE BOX)

BOX DIMENSIONS:

C = 330mm
B = 270mm
A = 50mm

BOX QUANTITIES:

5mm pitch = 1,500pcs/box
7.5mm pitch = 1,800pcs/box
10mm pitch = 1,200pcs/box

