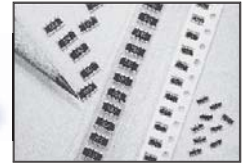


FEATURES

- ULTRA MINIATURE SIZE AND LOW PROFILE
- THICK FILM CONSTRUCTION
- HIGH DENSITY PACKAGING OFFERS SIGNIFICANT SPACE SAVINGS
- REFLOW SOLDERING COMPATIBLE

RoHS Compliant
includes all homogeneous materials



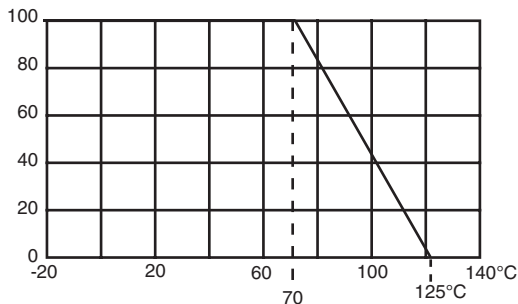
SPECIFICATIONS

| Type | NRSNE2I2 | NRSNE2I4 |
|-----------------------------------|----------------|----------------------|
| Termination Type | Flat | Flat |
| Size W x L (mm) | 0.6 x 0.8 | 0.6 x 1.4 |
| No. of Resistors & Circuit | 2R Isolated | 4R Isolated |
| Power Rating per Resistor @ +70°C | 1/32 (.031W) | 1/32 (.031W) |
| Resistance Tolerance | J(±5%) | |
| Resistance Range | 10Ω ~ 1MΩ | 10Ω ~ 1MΩ |
| Jumper | Under 50mΩ | |
| Current Ratings | Rated - 0.5A | Max. Overload - 1.0A |
| Temperature Coefficient | ±200ppm | |
| Maximum Working Voltage* | 12.5V | |
| Maximum Overload Voltage | 25V | |
| Operating Temperature Range | -55°C ~ +125°C | |

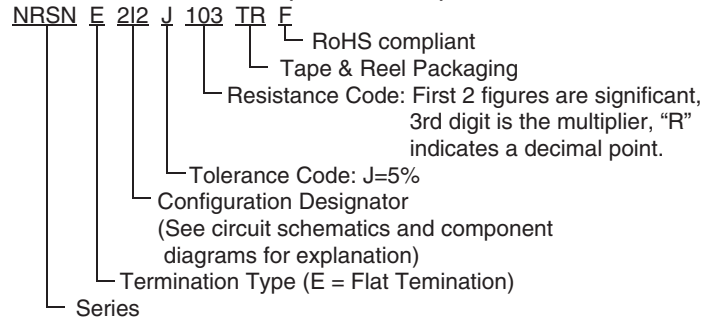
* Maximum allowable continuous voltage for all resistors is the lower of the two values: "MAXIMUM WORKING VOLTAGE" as specified, or $\sqrt{\text{Power rating (WATTS)} \times \text{Resistance (OHMS)}}$

Power Derating Curve:

For operation above 70°C, power rating must be derated according to the following chart:

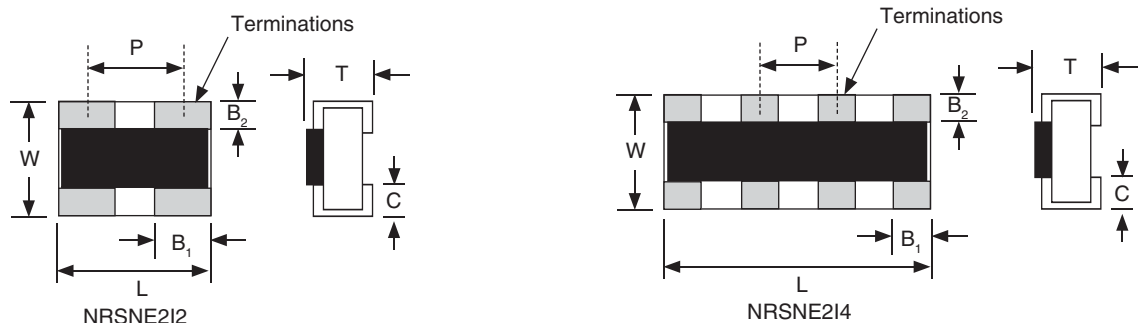


PART NUMBER SYSTEM (E-24 VALUES)

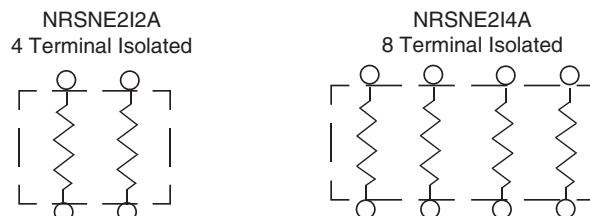


COMPONENT DIMENSIONS (mm)

| Type | W | L | P | T | B ₁ | B ₂ | C |
|----------|-------------|-------------|-----------|-------------|----------------|----------------|-------------|
| NRSNE2I2 | 0.60 ± 0.10 | 0.80 ± 0.10 | 0.50 nom. | 0.35 ± 0.10 | 0.30 ± 0.10 | 0.15 ± 0.10 | 0.15 ± 0.10 |
| NRSNE2I4 | 0.60 ± 0.10 | 1.40 ± 0.10 | 0.40 nom. | 0.35 ± 0.10 | 0.20 ± 0.10 | 0.15 ± 0.07 | 0.15 ± 0.05 |

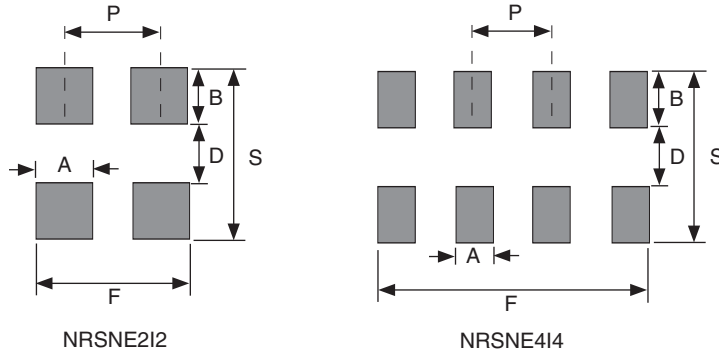


CIRCUIT SCHEMATICS



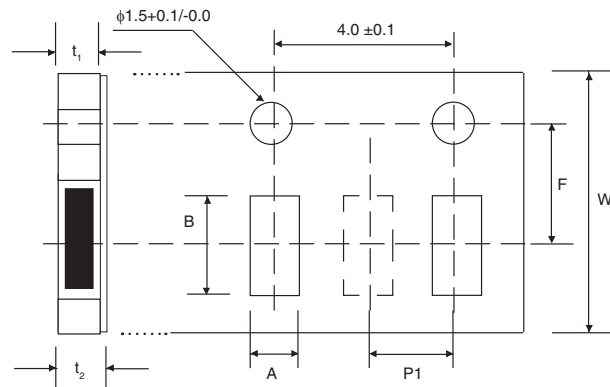
RECOMMENDED LAND PATTERN DIMENSIONS (mm)

| Type | Reflow Soldering | | | | | |
|----------|------------------|------|------|------|------|------|
| | A | B | D | P | S | F |
| NRSNE212 | 0.30 | 0.30 | 0.30 | 0.50 | 0.90 | 0.80 |
| NRSNE214 | 0.20 | 0.30 | 0.30 | 0.40 | 0.90 | 1.40 |



TAPE DIMENSIONS (mm)

| Type | Material | A ± 0.1 | B ± 0.1 | F ± 0.05 | p1 ± 0.05 | W ± 0.30 | t ₁ ± 0.05 | t ₂ ± 0.10 |
|----------|----------|---------|---------|----------|-----------|----------|-----------------------|-----------------------|
| NRSNE212 | Paper | 0.70 | 0.90 | 3.50 | 2.00 | 8.00 | 0.43 | 0.50 |
| NRSNE214 | | 0.70 | 1.60 | 3.50 | 2.00 | 8.00 | 0.43 | 0.50 |



REEL DIMENSIONS (mm)

| Type | A | B | C | D | E | W | Qty/Reel |
|----------|-----------|-----------|-------|-------|------|------|----------|
| NRSNE212 | φ180 | φ60 | φ13.0 | φ21.0 | 2.0 | 9.0 | 10,000 |
| NRSNE214 | -3.0/+0.0 | -0.0/+1.0 | ±2.0 | ±0.8 | ±0.5 | ±0.3 | |

