

THIRD ANGLE PROJECTION

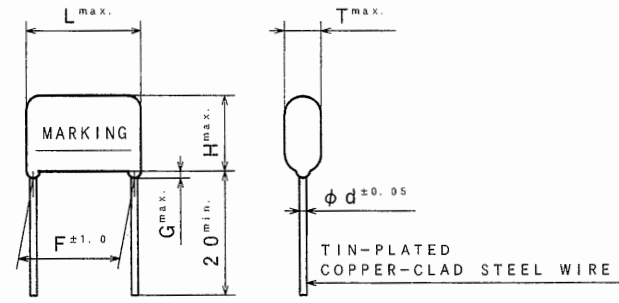
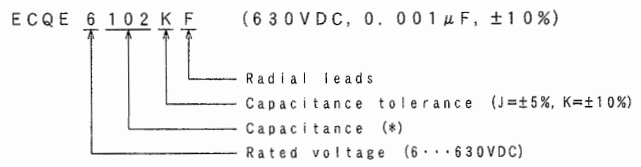
ITEM CODE	RATED VOLTAGE	CAP. $\mu$ F ( * )	DIMENSIONS					
			L	T	H	F	G	d
ECQE6102 () F	630VDC	0.001 (102)	10.0	4.5	9.5	7.5	1.0	0.6
" 6122 () F	"	0.0012 (122)	"	"	10.0	"	"	"
" 6152 () F	"	0.0015 (152)	"	"	"	"	"	"
" 6182 () F	"	0.0018 (182)	"	"	"	"	"	"
" 6222 () F	"	0.0022 (222)	"	"	"	"	"	"
" 6272 () F	"	0.0027 (272)	"	"	"	"	"	"
" 6332 () F	"	0.0033 (332)	"	"	"	"	"	"
" 6392 () F	"	0.0039 (392)	"	"	"	"	"	"
" 6472 () F	"	0.0047 (472)	12.0	"	"	10.0	"	"
" 6562 () F	"	0.0056 (562)	"	"	"	"	"	"
" 6682 () F	"	0.0068 (682)	"	4.9	"	"	"	"
" 6822 () F	"	0.0082 (822)	"	4.5	"	"	"	"

TOL. SYMBOL (J or K)

ALTERATION		
ISSUE	DESCRIPTION	DATE
①	Correction: category temperature range (-40°C~+85°C→-40°C~+105°C) Addition: rated voltage (Derating of rated voltage by 1.25%/°C at more than 85°C)	Jan. 22 2008
②	Company name changed Error correction	Apr. 1 2008
③	Company name changed	Apr. 1 2012
④	Company name changed	Apr. 1 2013

SPECIFICATIONS No.

ITEM CODE NUMBER STRUCTURE



CONSTRUCTION

The capacitor is of non-inductive construction, wound with metallized polyester film dielectric.  
The capacitor is enclosed in non-combustible epoxy resin and has two leads.

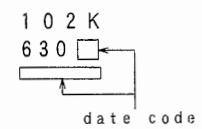
MARKING

Marking comprises capacitance, capacitance tolerance, rated voltage, and date code.

PROPERTIES

- Capacitance: See table at 1kHz
- Capacitance tolerance:  $\pm$ 5% (J),  $\pm$ 10% (K) at 1kHz
- Rated voltage: 630VDC  $\Delta\Delta$  (Derating of rated voltage by 1.25%/°C at more than 85°C)
- Withstand voltage: 630VDC $\times$ 150% for 60s
- Insulation resistance:  $\geq$ 9000M $\Omega$  at 100VDC, 20°C for 60s
- Dissipation factor:  $\leq$ 1.0% at 1kHz, 20°C
- Category temperature range:  $\Delta$  From -40°C to +105°C (including temperature rise on unit surface)

MARKING EXAMPLE



Reference

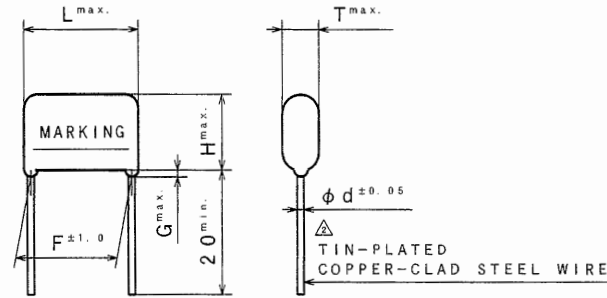
DESIGN	<i>M. M. Mada</i>
CHECKED	<i>R. Ozaki</i>
APPROVAL	<i>K. Fukumitsu</i>
ESTABLISHMENT	Oct. 24, 2007
TYPE NAME	ECQE6*** () F
NAME	Metallized Polyester Film Capacitor
DRAWING NAME	PRODUCT DRAWING
DRAWING No.	7034M-J-E (1/1)

Film Capacitor Division  
Capacitor Business Division  
Panasonic Corporation

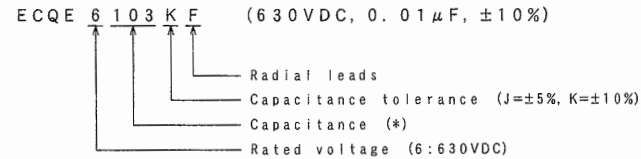
THIRD ANGLE PROJECTION

ITEM CODE	RATED VOLTAGE	CAP. $\mu F$ (*)	DIMENSIONS						MARKING STYLE
			L	T	H	F	G	d	
ECQE6103 ( ) F	630VDC	0.01 (103)	12.0	4.5	7.5	10.0	1.0	0.6	1
# 6123 ( ) F	"	0.012 (123)	"	"	7.8	"	"	"	"
# 6153 ( ) F	"	0.015 (153)	"	5.0	8.2	"	"	"	"
# 6183 ( ) F	"	0.018 (183)	"	4.9	10.0	"	"	"	"
# 6223 ( ) F	"	0.022 (223)	"	5.3	10.5	"	"	"	"
# 6273 ( ) F	"	0.027 (273)	"	5.5	10.9	"	"	"	"
# 6333 ( ) F	"	0.033 (333)	"	6.0	11.9	"	"	"	"
# 6393 ( ) F	"	0.039 (393)	"	"	13.4	"	"	"	"
# 6473 ( ) F	"	0.047 (473)	"	6.5	13.5	"	"	"	"
# 6563 ( ) F	"	0.056 (563)	18.5	5.4	10.5	15.0	"	"	2
# 6683 ( ) F	"	0.068 (683)	"	5.8	11.0	"	"	"	"
# 6823 ( ) F	"	0.082 (823)	"	6.5	12.0	"	"	"	"
# 6104 ( ) F	"	0.1 (104)	"	6.3	14.0	"	"	"	"
# 6124 ( ) F	"	0.12 (124)	"	"	14.5	"	"	0.8	"
# 6154 ( ) F	"	0.15 (154)	"	7.5	15.4	"	"	"	"
# 6184 ( ) F	"	0.18 (184)	"	8.0	16.0	"	"	"	"
# 6224 ( ) F	"	0.22 (224)	"	9.0	16.5	"	"	"	"
# 6274 ( ) F	"	0.27 (274)	26.0	7.0	"	22.5	"	"	"
# 6334 ( ) F	"	0.33 (334)	"	7.8	17.0	"	"	"	"
# 6394 ( ) F	"	0.39 (394)	"	8.5	17.9	"	"	"	"
# 6474 ( ) F	"	0.47 (474)	"	9.3	18.5	"	"	"	"
# 6564 ( ) F	"	0.56 (564)	"	10.0	20.0	"	1.5	"	"
# 6684 ( ) F	"	0.68 (684)	"	11.5	21.0	"	"	"	"
# 6824 ( ) F	"	0.82 (824)	31.0	11.3	20.5	27.5	"	"	"
# 6105 ( ) F	"	1.0 (105)	"	12.5	21.9	"	"	"	"
# 6125 ( ) F	"	1.2 (125)	"	13.5	23.0	"	"	"	"
# 6155 ( ) F	"	1.5 (155)	"	15.3	24.7	"	"	"	"
# 6185 ( ) F	"	1.8 (185)	"	16.8	27.0	"	"	"	"
# 6225 ( ) F	"	2.2 (225)	"	19.5	29.0	"	"	"	"

TOL. SYMBOL (J or K)



ITEM CODE NUMBER STRUCTURE



CONSTRUCTION

The capacitor is of non-inductive construction, wound with metallized polyester film dielectric.  
The capacitor is enclosed in non-combustible epoxy resin and has two leads.

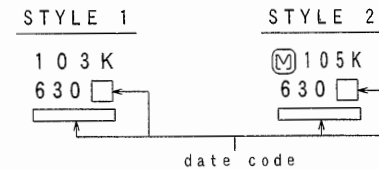
MARKING

Marking comprises capacitance, capacitance tolerance, rated voltage, manufacturer's trademark (STYLE 2 only) and date code.

PROPERTIES

Capacitance: See table at 1kHz  
 Capacitance tolerance:  $\pm 5\%$  (J),  $\pm 10\%$  (K) at 1kHz  
 Rated voltage: 630VDC  $\triangle\triangle$  (Derating of rated voltage by 1.25%/C at more than 85°C)  
 Withstand voltage: 630VDCX150% for 60s  
 Insulation resistance:  $\geq 9000\Omega$  ( $C \leq 0.33\mu F$ ) at 100VDC, 20°C for 60s  
 $\geq 3000\Omega \cdot \mu F$  ( $C > 0.33\mu F$ ) at 100VDC, 20°C for 60s  
 Dissipation factor:  $\leq 1.0\%$  at 1kHz, 20°C  
 Category temperature range:  $\triangle$  From -40°C to +105°C (including temperature rise on unit surface)

MARKING EXAMPLE



Reference

DESIGN	<i>A. M. Madsen</i>
CHECKED	<i>K. Osaiki</i>
APPROVAL	<i>K. Takamitsu</i>
ESTABLISHMENT	Apr. 27, 1987
TYPE NAME	ECQE6*** ( ) F
NAME	Metallized Polyester Film Capacitor
DRAWING NAME	PRODUCT DRAWING
DRAWING No.	CT-H-C017 (1/1)

Film Capacitor Division  
 Capacitor Business Division  
 Panasonic Corporation

DO NOT SCALE DRAWING

REVISIONS INDICATED BY  $\triangle$

ALL DIMENSIONS ARE IN MILLIMETERS

ALTERATION		
ISSUE	DESCRIPTION	DATE
$\triangle$	Modification	Jun. 20 2002
$\triangle$	Company name changed	Oct. 1 2004
$\triangle$	Company name changed	Apr. 1 2005
$\triangle$	Company name changed	Apr. 1 2006
$\triangle$	Correction: category temperature range (-40°C~+85°C→-40°C~+105°C) Addition: rated voltage (Derating of rated voltage by 1.25%/C at more than 85°C)	Jan. 22 2008
$\triangle$	Company name changed Error correction	Apr. 1 2008
$\triangle$	Company name changed	Apr. 1 2012
$\triangle$	Company name changed	Apr. 1 2013
SPECIFICATIONS No. TE72035Y		